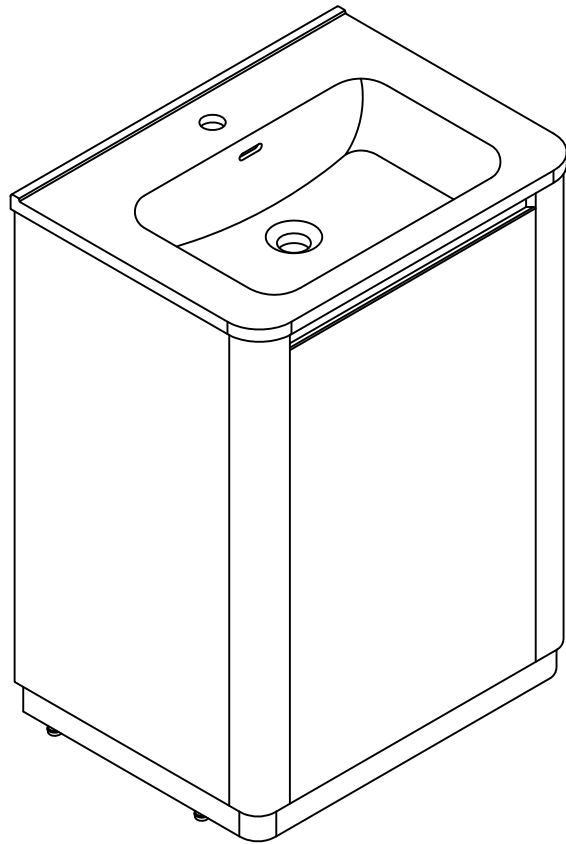


# INSTALLATION MANUAL

## MAIN CABINET VMC2088AO24



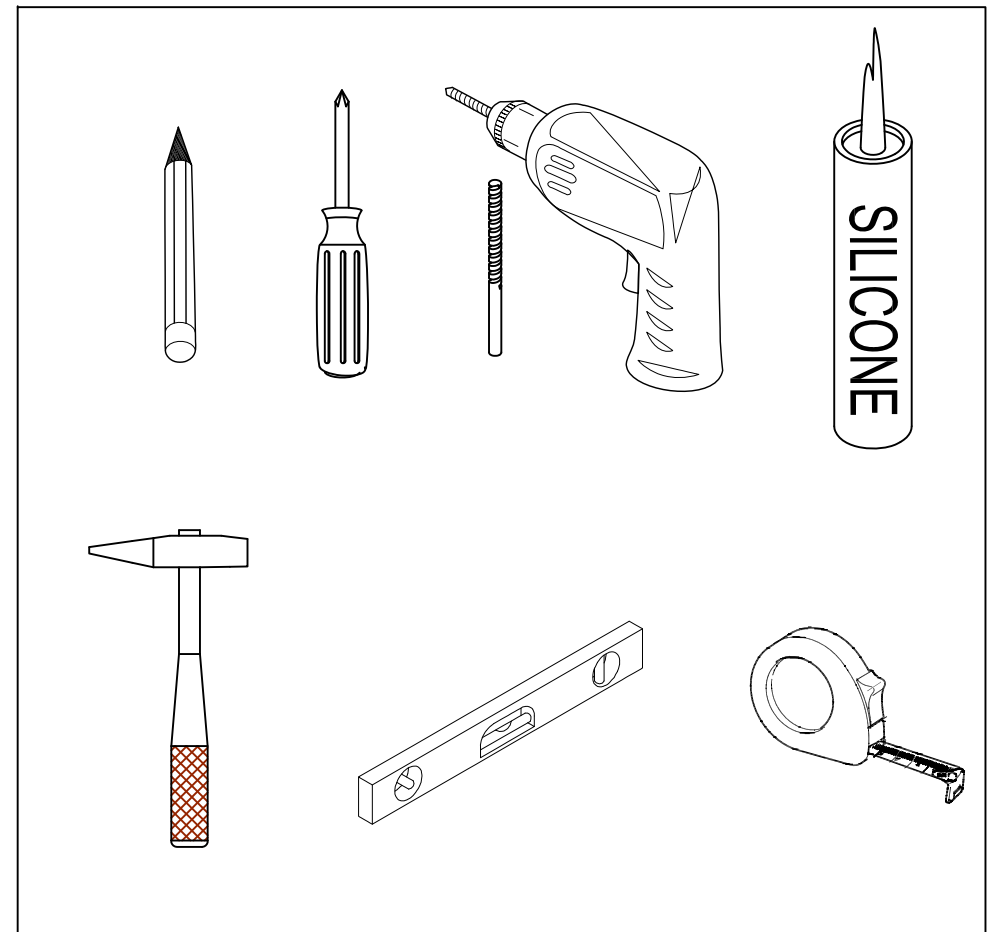
NOTE: The sink is packed separately.

MORVANO®

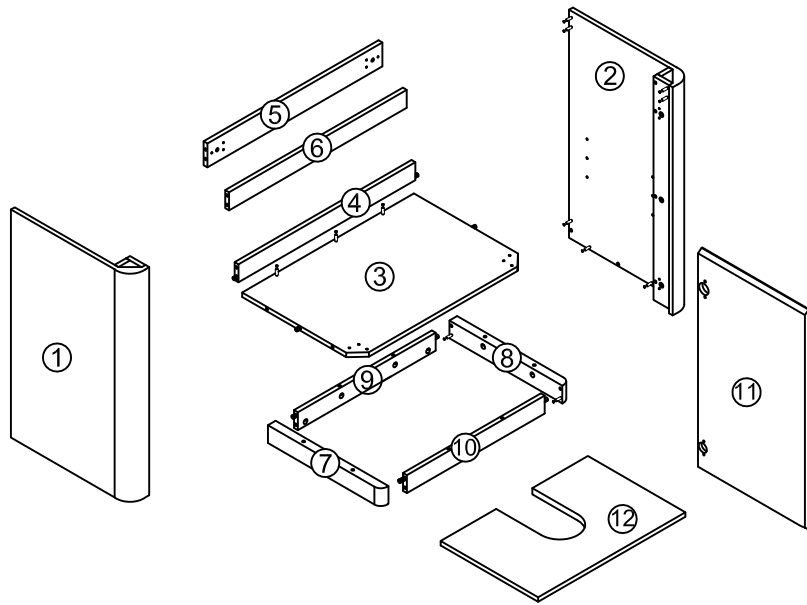
## WARNING


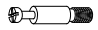






Serious or fatal crushing injuries can occur from furniture tip over. To prevent tip over this furniture must be used with the wall attachment device(s) provided. This cabinet must be mounted to a solid structural wall(e.g., concrete, wood stud, or solid tile backing). **Do not install on hollow drywall or unsupported tile surfaces.**



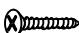



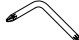
## Recommended Tools



# Assembly Parts Overview

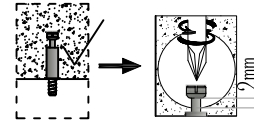


NO.	Part Name	QTY
A	 Screw Ø4 x 14 mm	32
B	 Cam Bolt	29
C	 Cam Lock	29
D	 Wooden Dowel	8
E	 Wall Anchor Ø10mm	2
F	 Wall Mounting Screw	2
G	 Screw Cap Cover	2
H	 Bracket 53x70x44mm	2

NO.	Part Name	QTY
I	 Bracket 19x19x35mm	2
J	 Concealed Hinge	2
K	 Screw Ø4 x 25 mm	6
L	 Adjustable feet	4
M	 Shelf Peg	4
N	 Door Bumper Pad	2
O	 Screwdriver	1

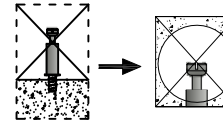
# Cam Lock Assembly Instructions

Diagram A

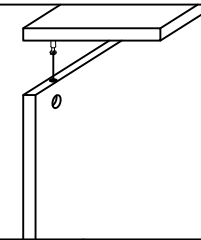


Insert Cam Bolt into hole as shown in diagram A.

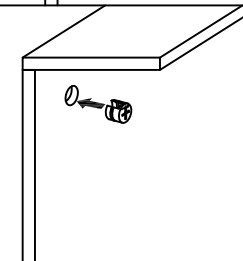
Diagram B



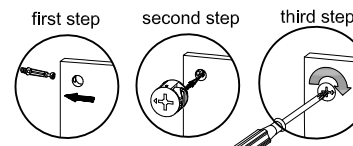
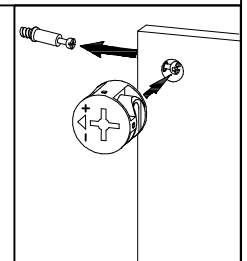
Also avoid inserting the Cam Bolt too close to the surface of the hole as shown in figure B, as this will cause the Cam Lock to be too loose, and not interlock properly.



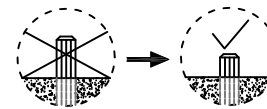
Connect the panels together.



Attention: Cam lock arrow point to the steel rod.

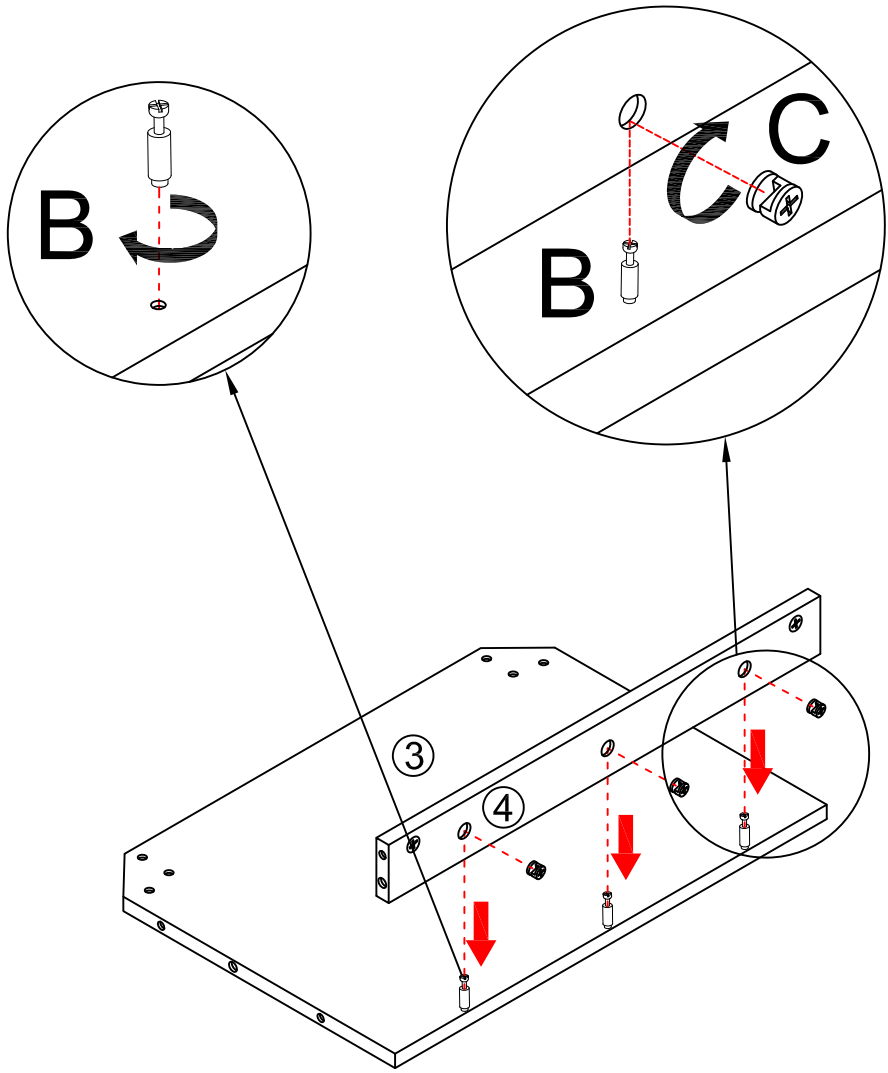


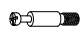


To tighten the Cam Lock, turn it clockwise on half a turn with a flat screwdriver. Do not use an automatic screwdriver as it may bend or break if too much power is imposed.



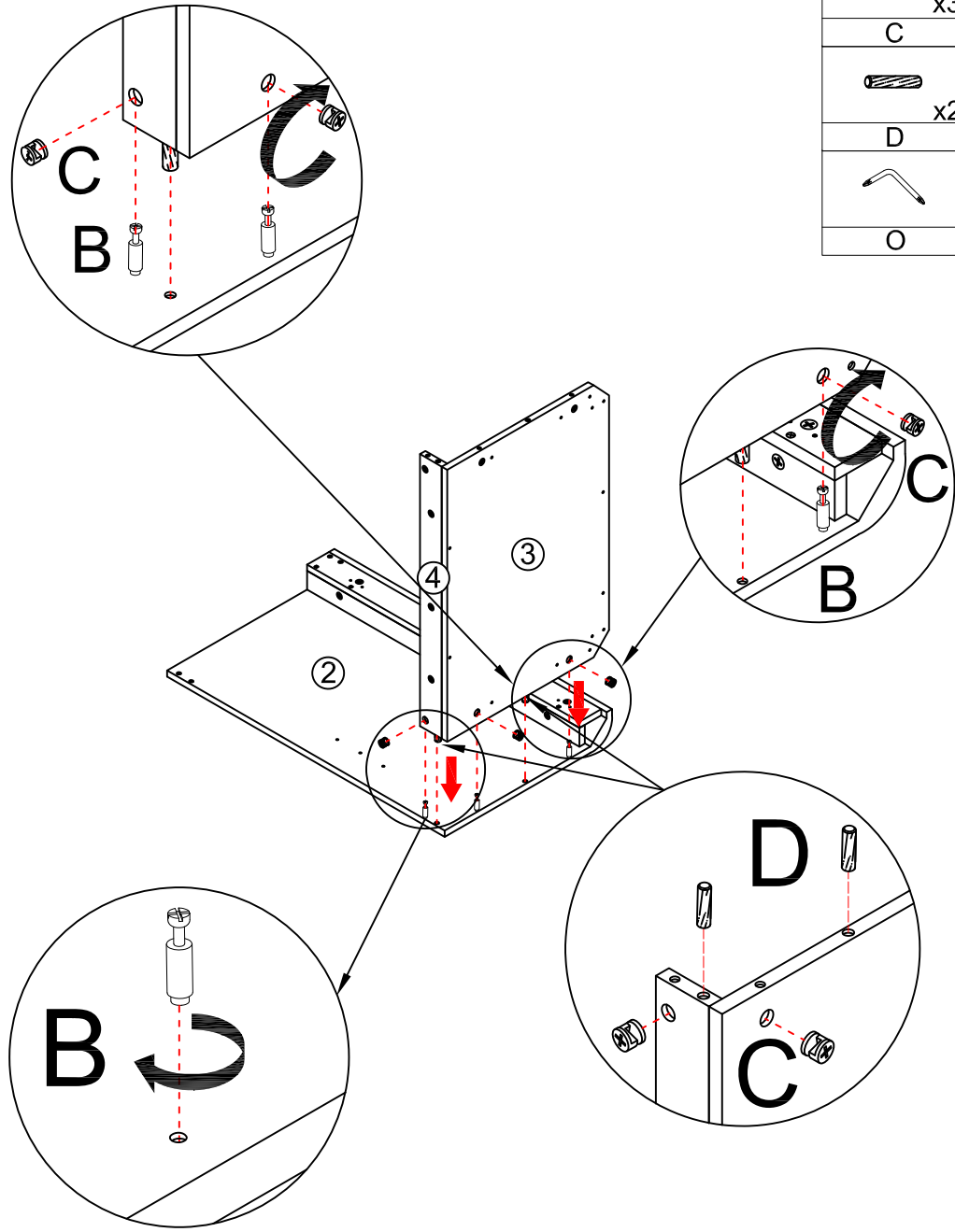
Installation of wooden dowels as shown in the diagram.

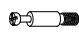



# Step 1



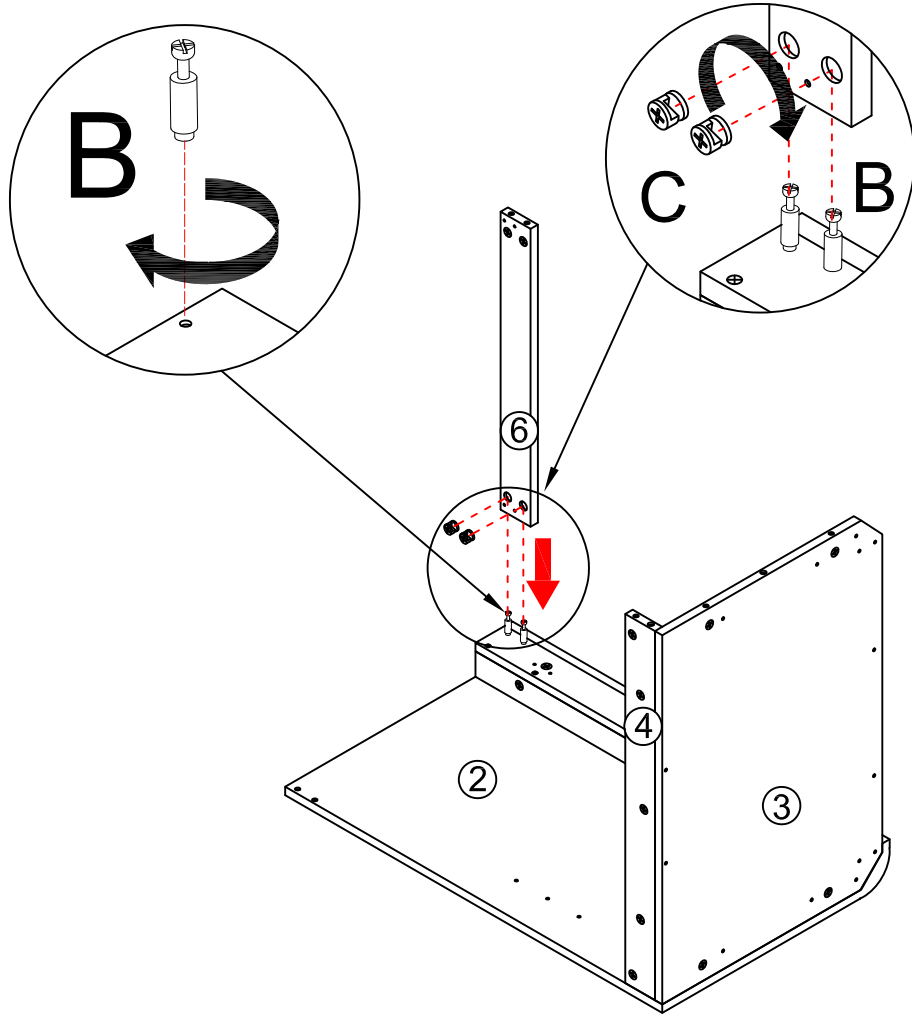
-  x3
- B
-  x3
- C
- 
- O

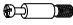


# Step 2



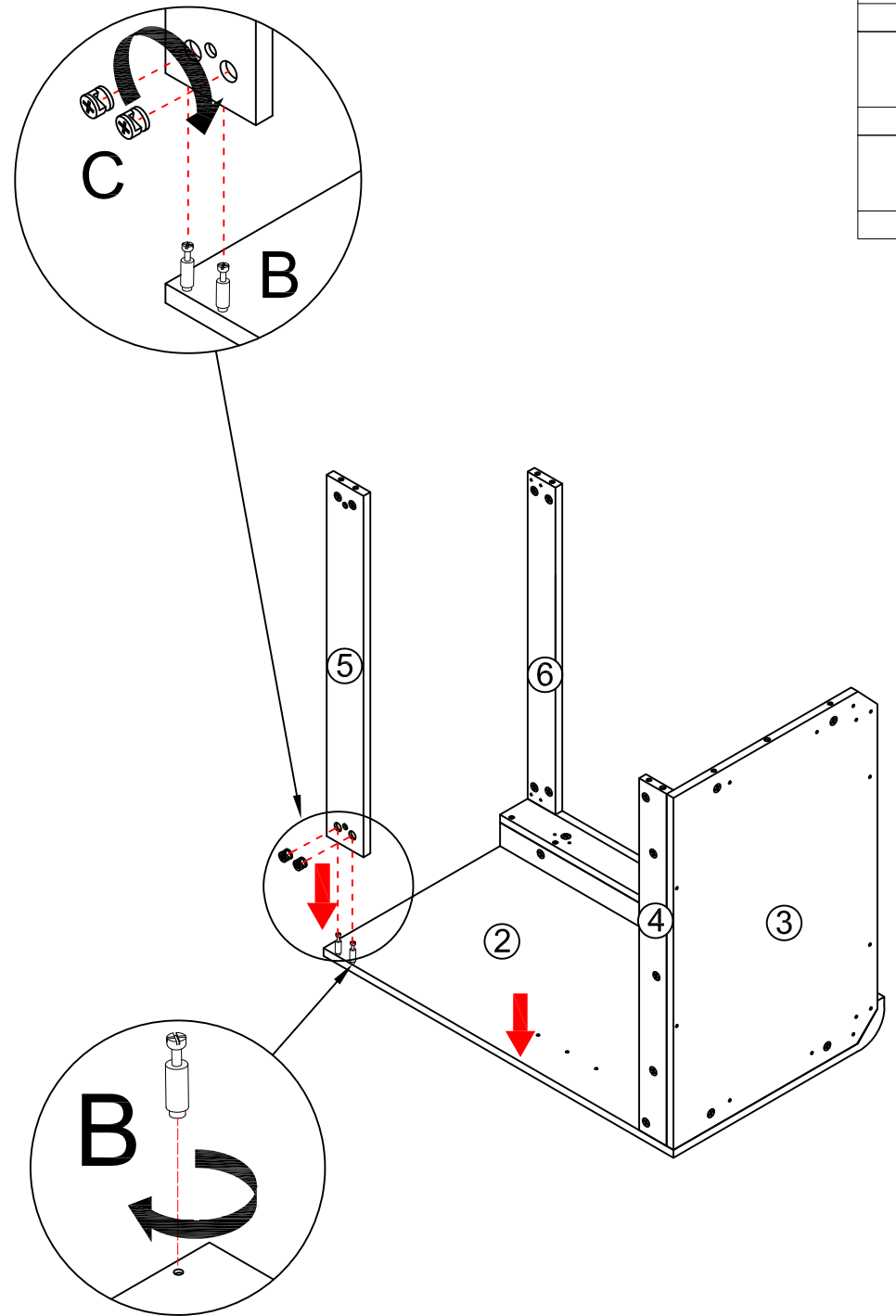
-  x3
- B
-  x3
- C
-  x2
- D
- 
- O

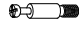


### Step 3



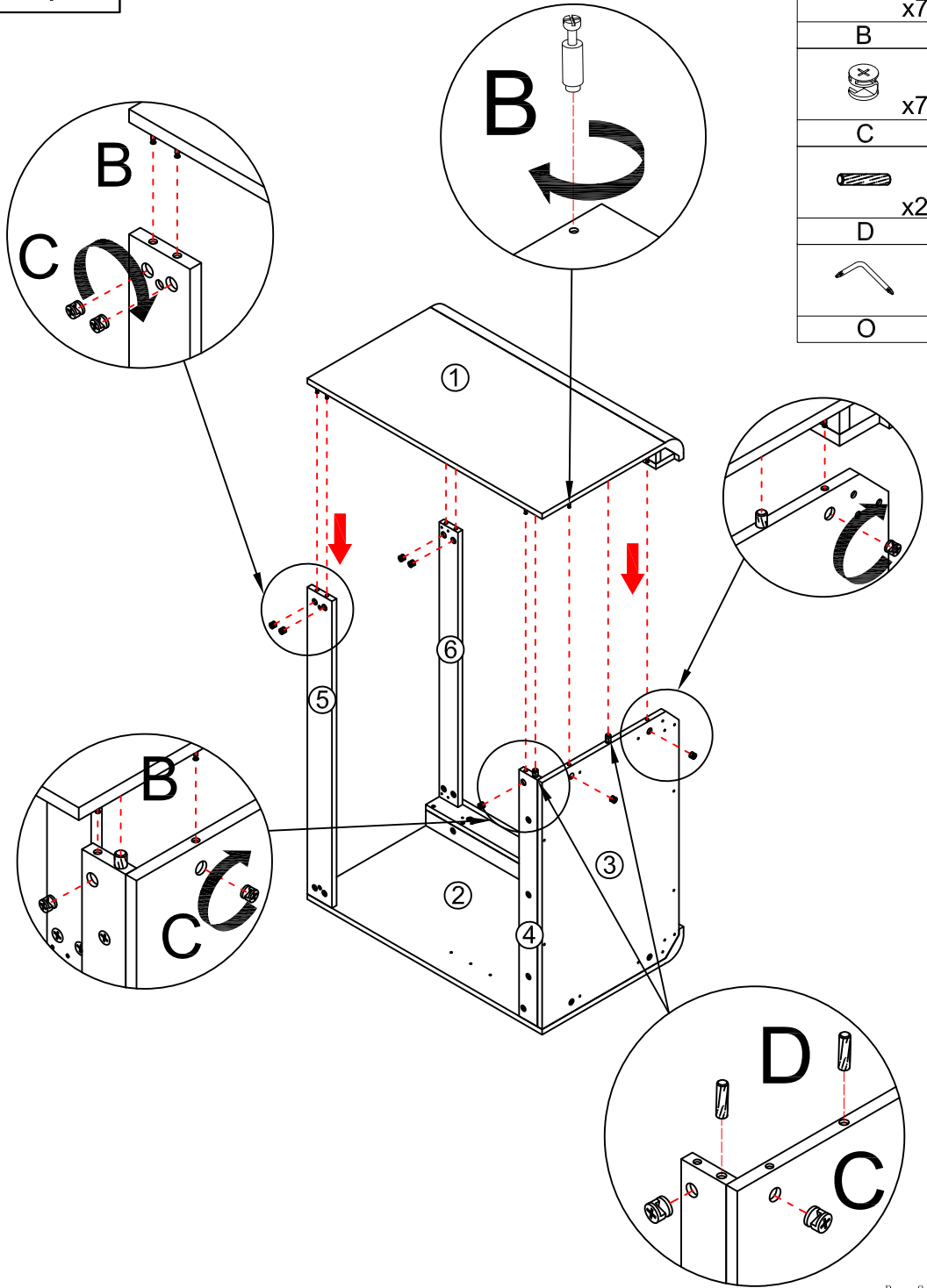
-  x2
- B**
-  x2
- C**
- 
- O**

### Step 4

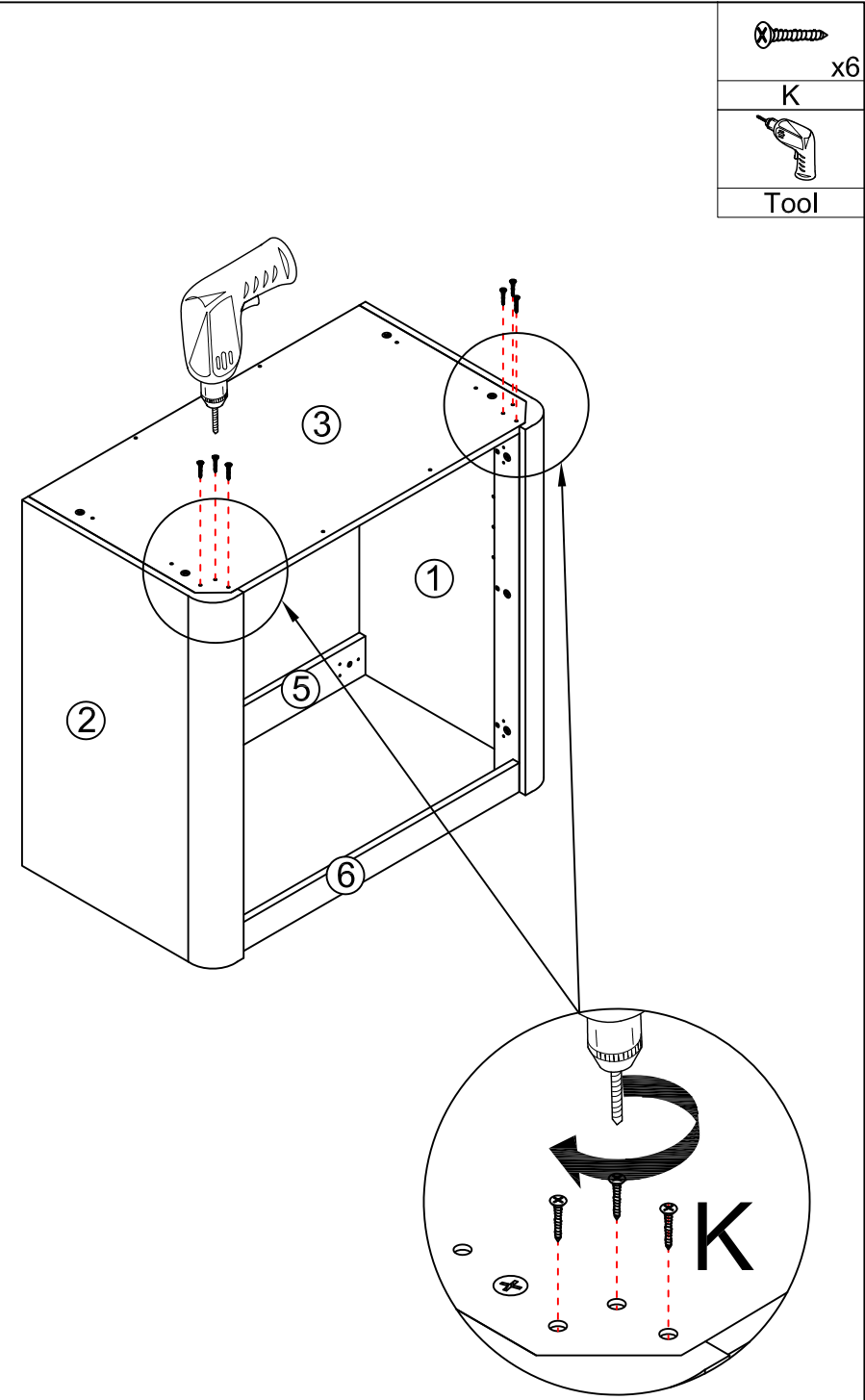


-  x2
- B**
-  x2
- C**
- 
- O**

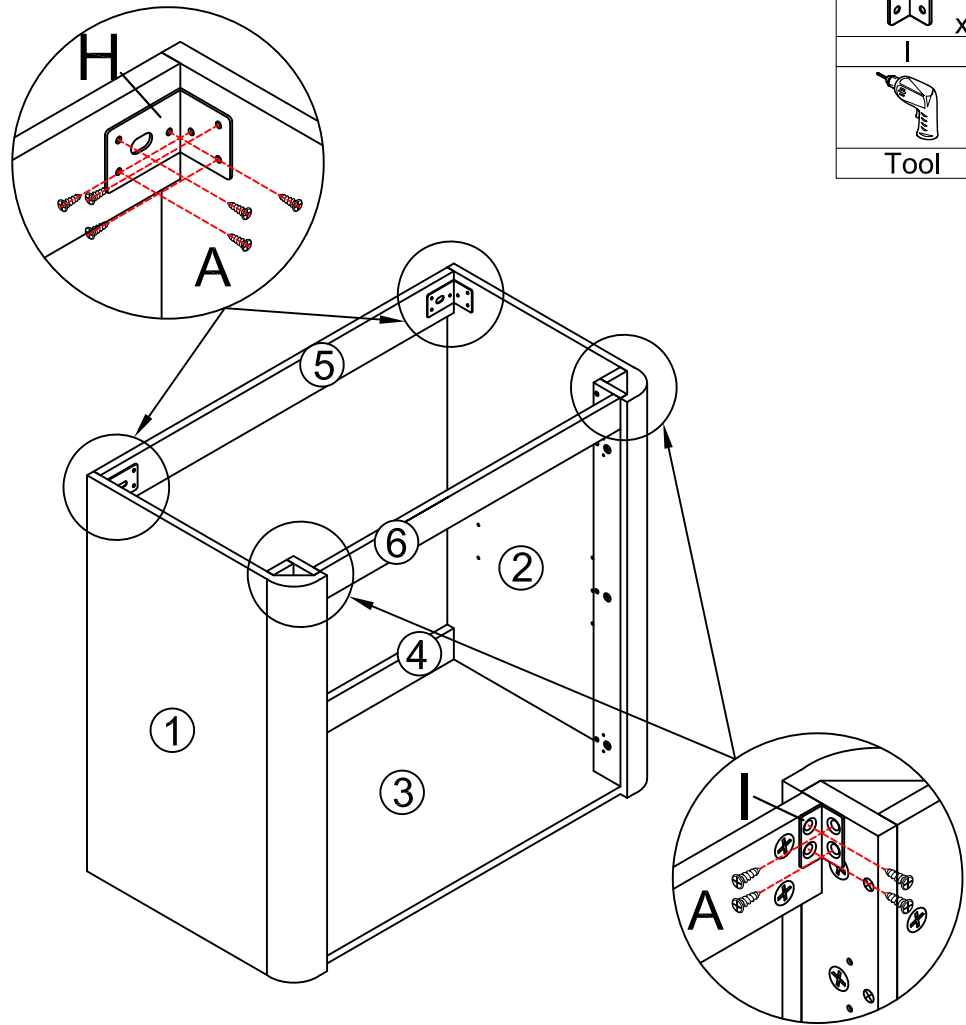
Step 5







Step 6

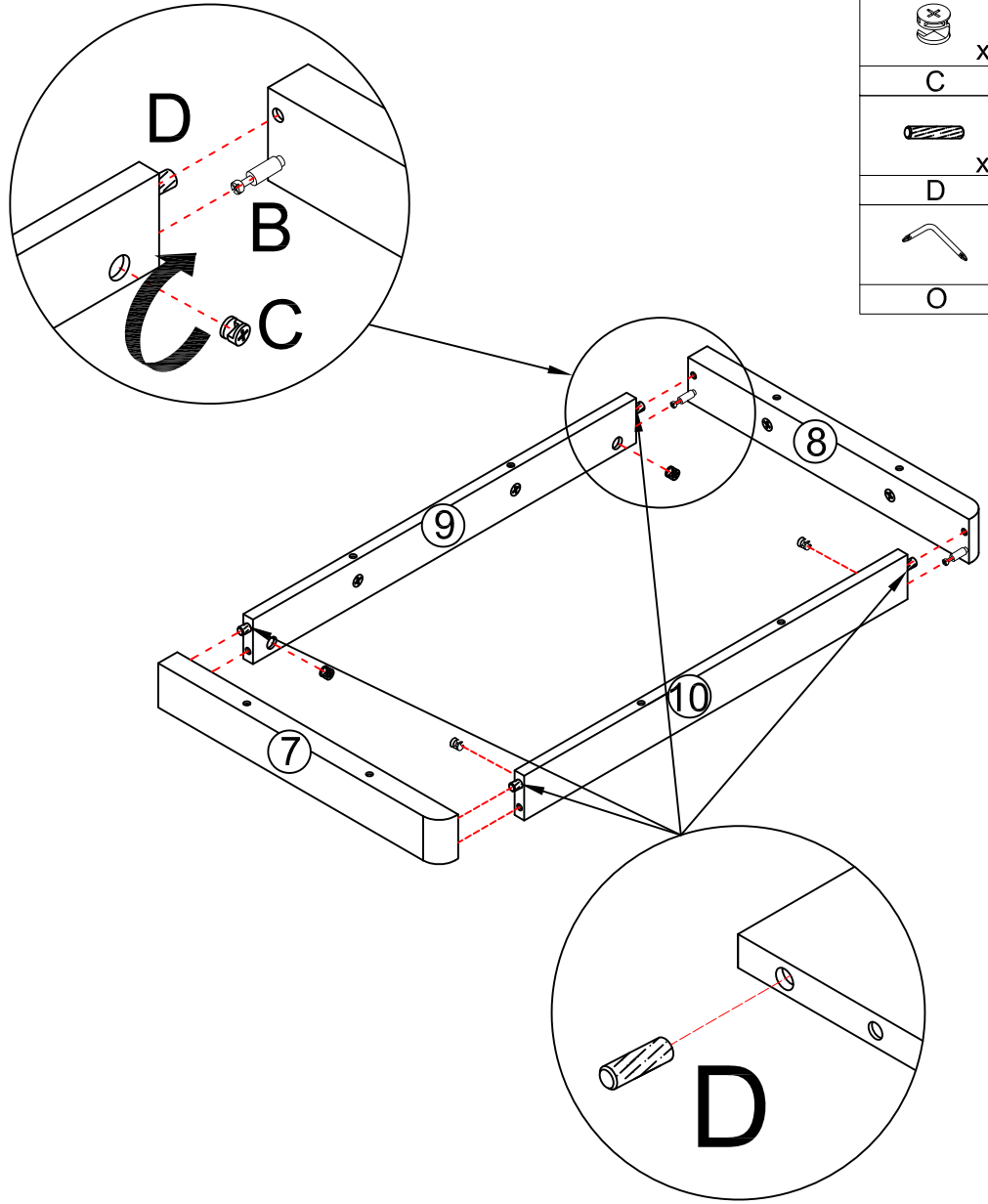


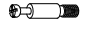



# Step 7



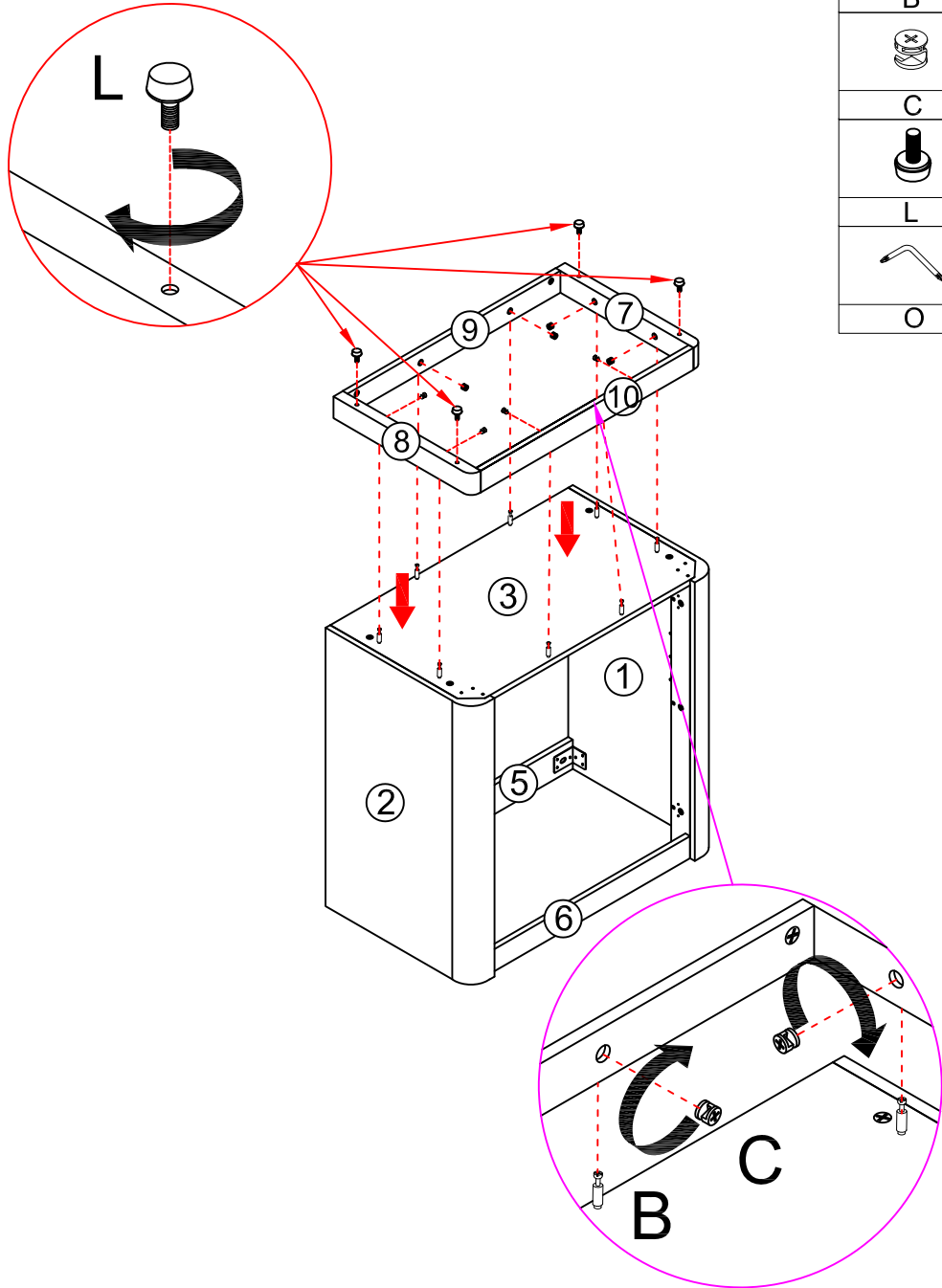
-  x20
- A
-  x2
- H
-  x2
- I
- 
- Tool

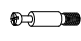



# Step 8



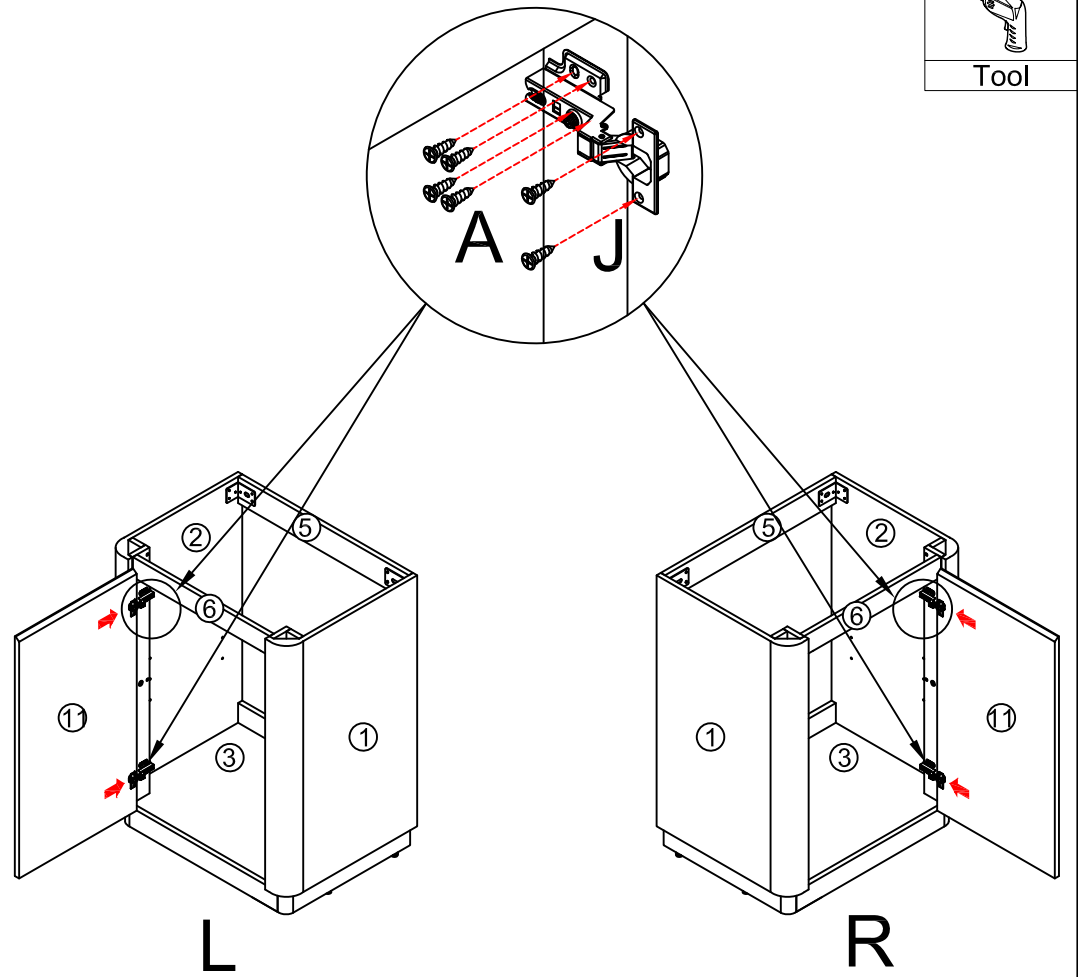
-  x4
- B
-  x4
- C
-  x4
- D
- 
- O




# Step 9



-  x8
- B**
-  x8
- C**
-  x4
- L**
- 
- O**

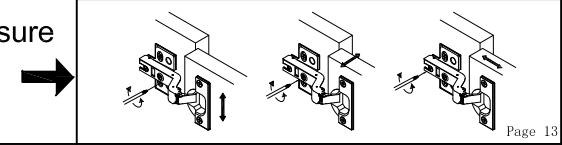
# Step 10



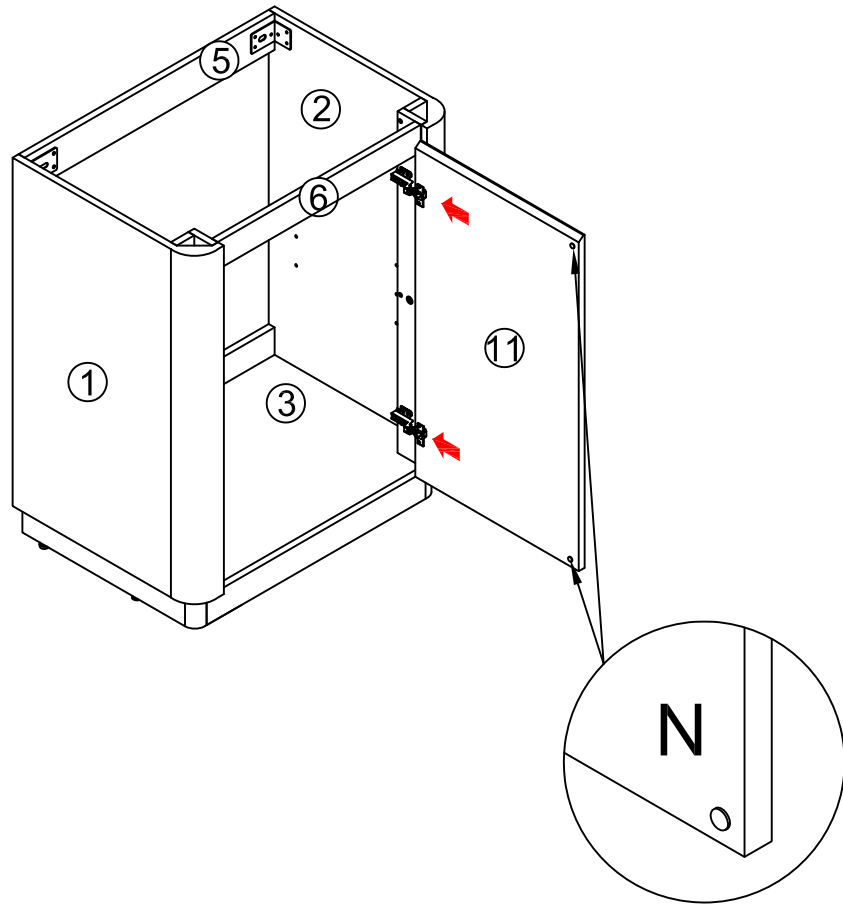
-  x12
- A**
-  x2
- J**
- 
- Tool**

Note: The reversible door panel can be installed in either orientation.

The door hinges are adjustable to ensure proper alignment. See page 22 for detailed instructions.



# Step 11



x2

N

# Step 12



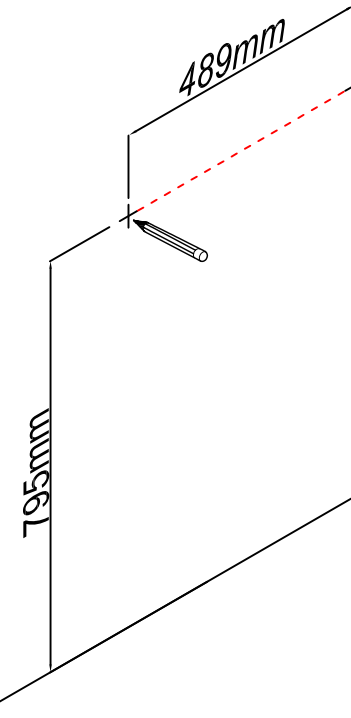
Tool



Tool

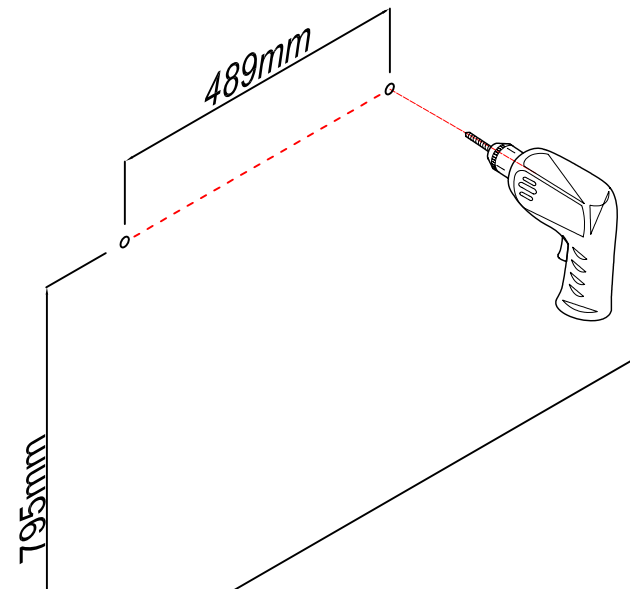
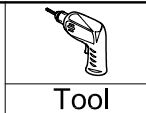


Tool

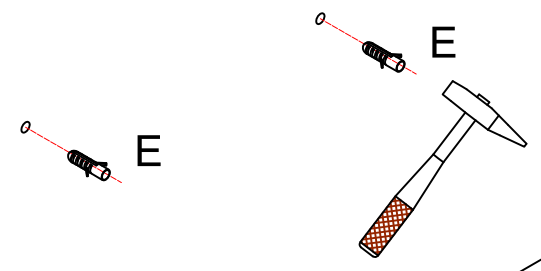
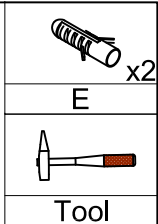


Use a level to mark two horizontally aligned holes at the indicated height and spacing.

Step 13



Step 14



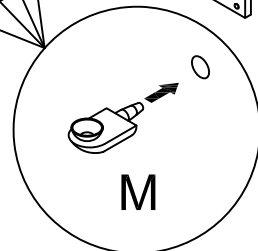
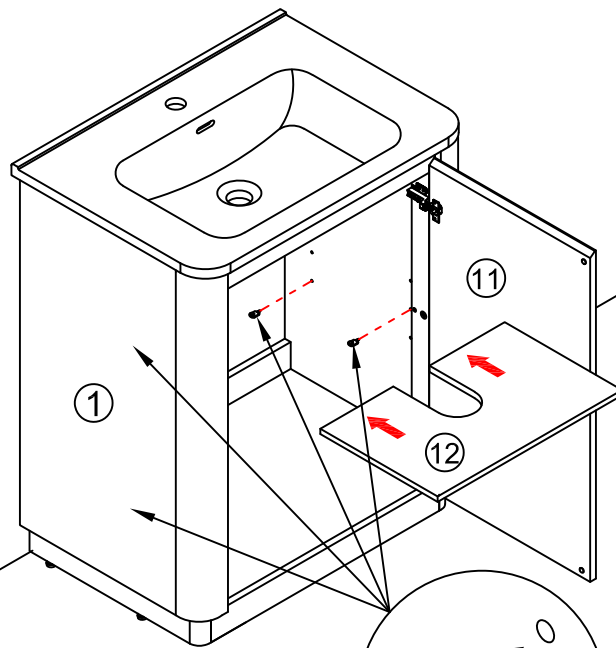
Step 17



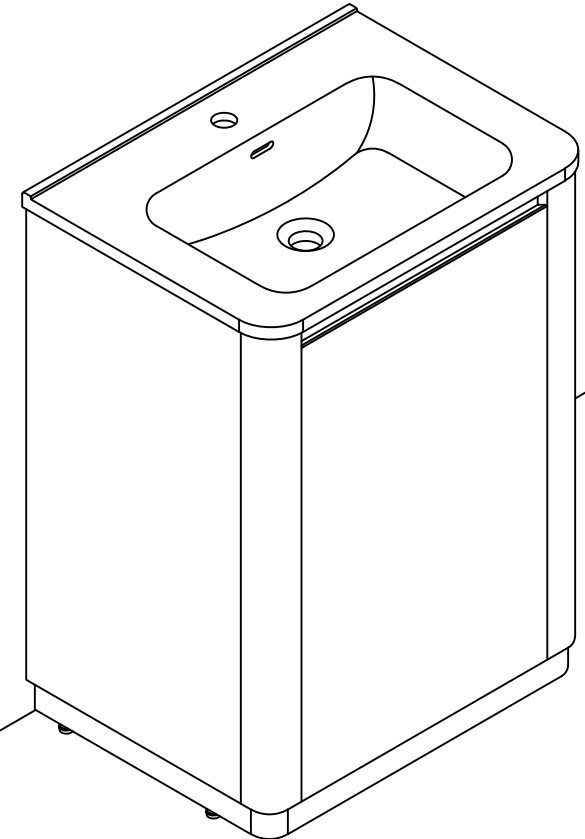
x4

M

Finished



M



Notes:  
Select the shelf height based on your storage needs.

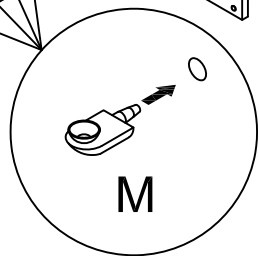
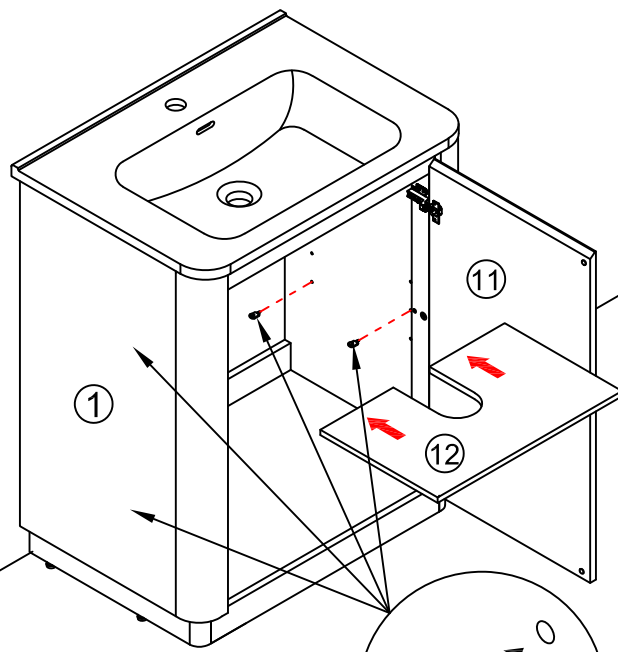
Step 17



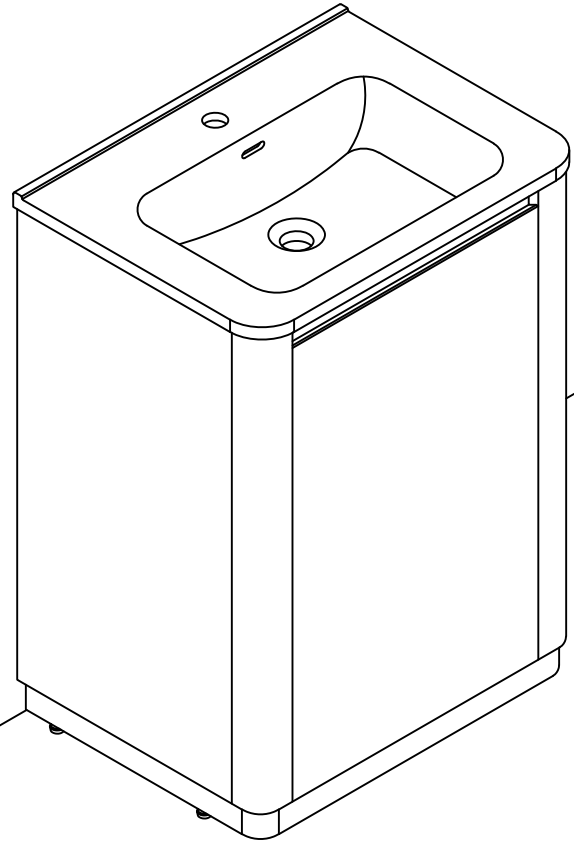
x4

M

Finished



M

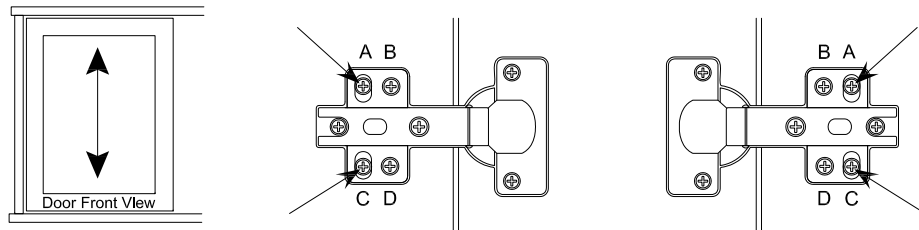


Notes:  
Select the shelf height based on your storage needs.

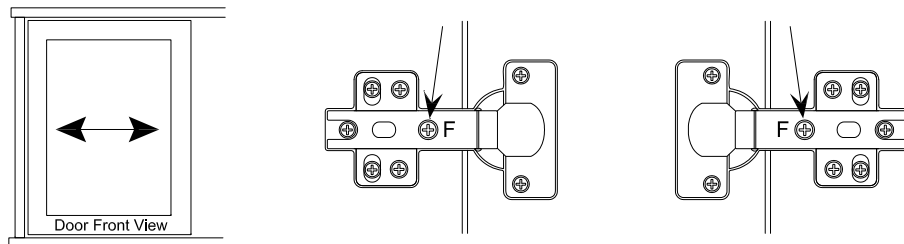
# ADJUSTING THE DOORS

- Up and down  
Remove screws (B&D) from the hinge.  
Turn screws (A&C) in or out to raise or lower the door.  
Reinstall screws (B&D) after adjustment.

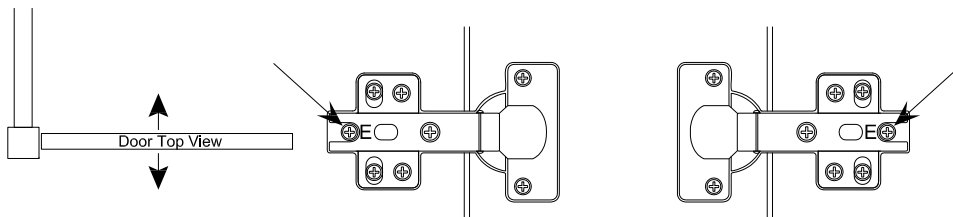
Left Door (Interior View) Right Door (Interior View)



- Left and right  
To adjust the door side-to-side, turn screw (F) in or out.



- In and out  
To adjust the door depth, turn screw (E) in or out.



# MORVANO<sup>®</sup>

Thank you for choosing Morvano.

Please do not hesitate to contact us if you have any questions or concerns.

Email: [mvn-service@outlook.com](mailto:mvn-service@outlook.com)