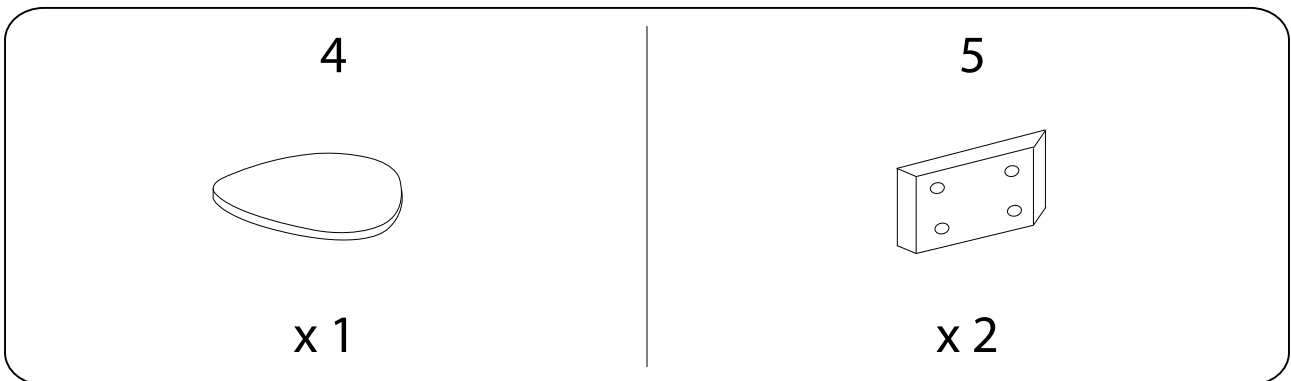
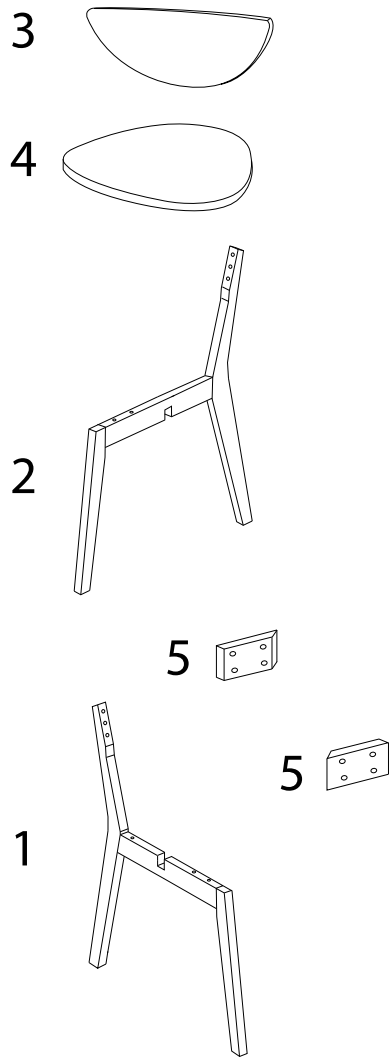
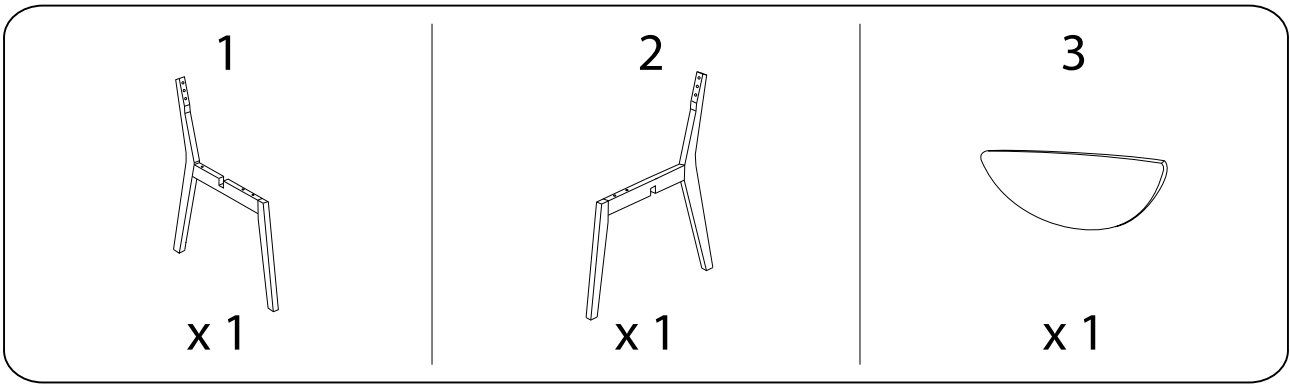
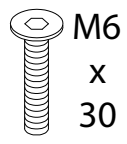


Assembly instructions for the top part of the chair. A rounded rectangle contains a circular icon with a screwdriver and an L-shaped bracket, and a crossed-out power drill. To the right is a warning triangle with an exclamation mark. Further right is a clock icon showing approximately 1:50, with the text "60'" below it.

Assembly instructions for the bottom part of the chair. A rounded rectangle contains a circular icon with a rectangular block on a textured surface, and a crossed-out block with a screw. To the right is a warning triangle with an exclamation mark. Further right is a stick figure icon with the number "1" below it.

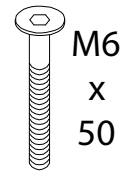


A



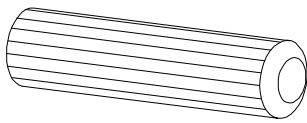
x 4

B



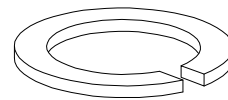
x 4

C



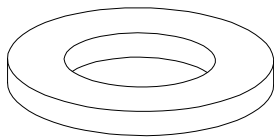
x 4

D



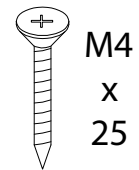
x 8

E



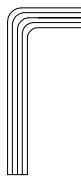
x 8

F



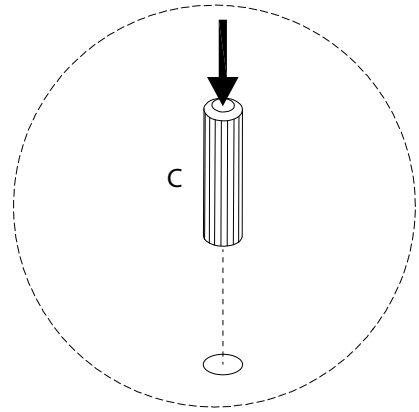
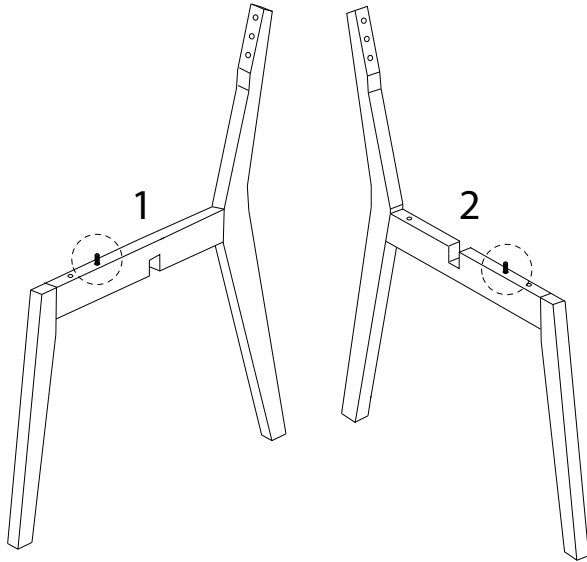
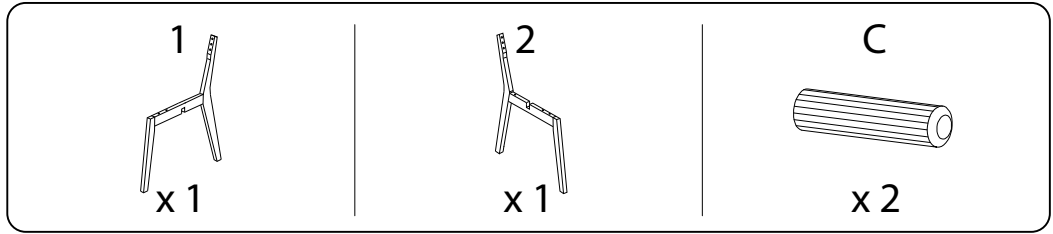
x 8

G

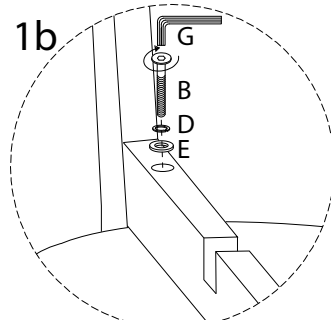
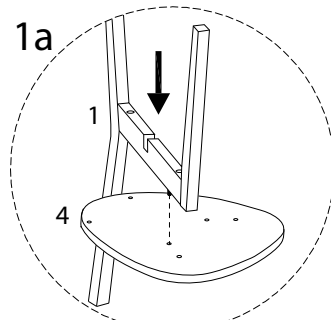
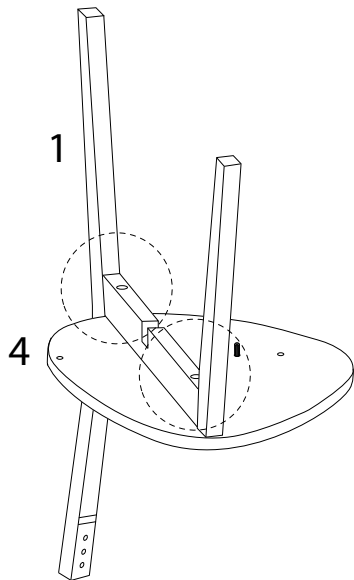
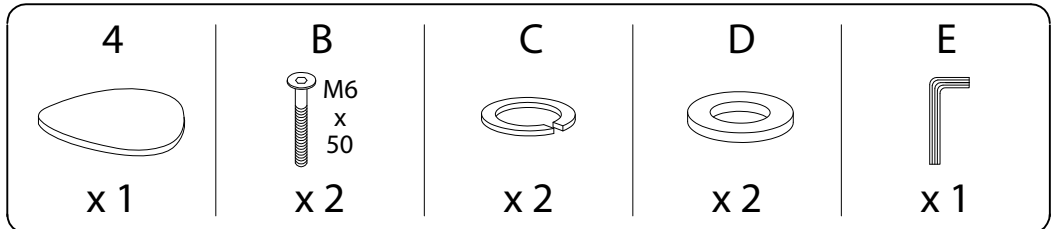


x 1

1



2



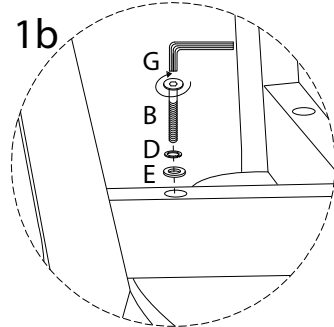
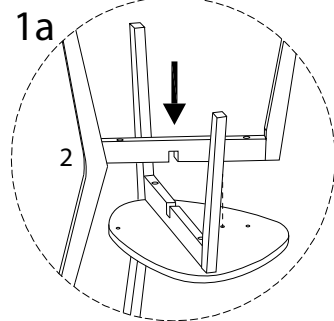
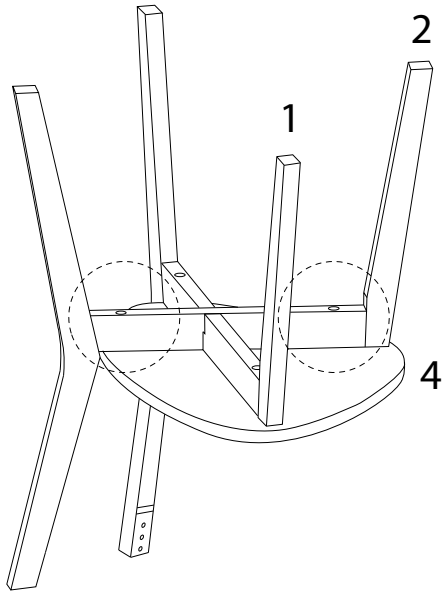
3

B
M6
x
50
x 2

D
x 2

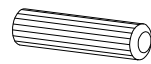
E
x 2

G
x 1

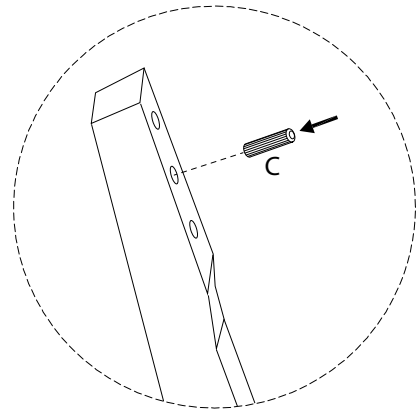
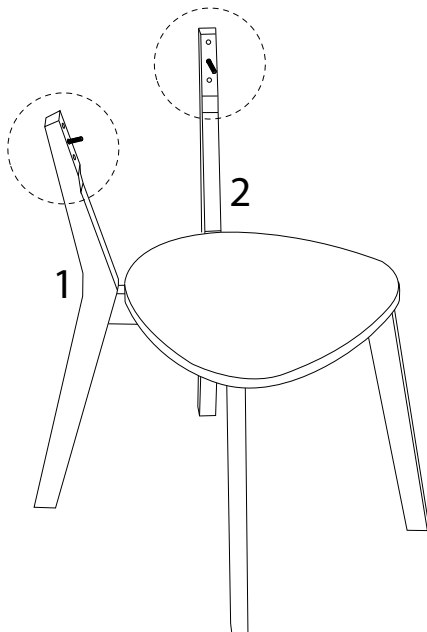


4

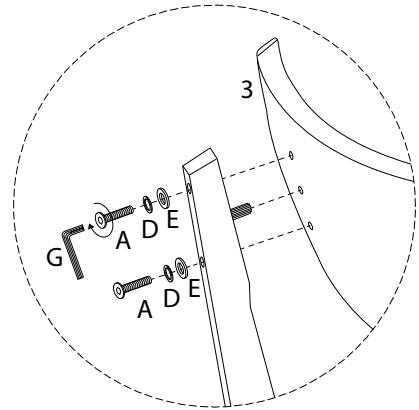
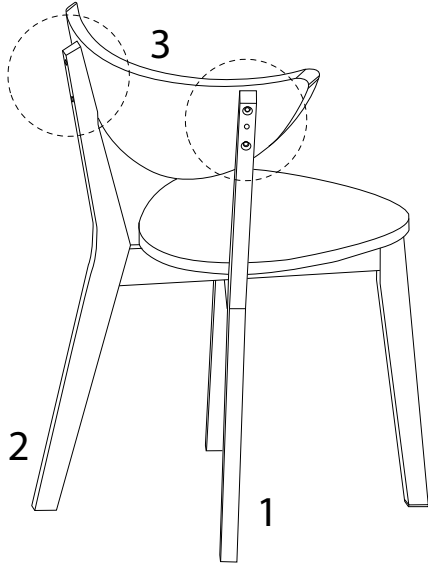
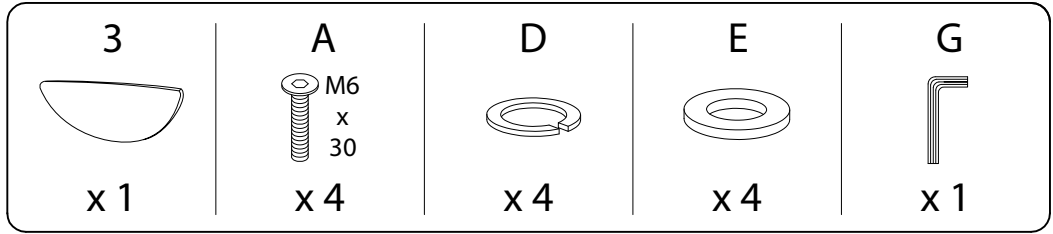
C



x 2



5



6

