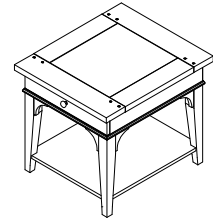


# ASSEMBLY INSTRUCTIONS



038-915

## TOOLS REQUIRED:

Allen Wrench (Provided, Part H)

## BEFORE YOU START:

1. Check the parts against the parts list to make sure all items are present.
2. Assemble your furniture on a soft, flat surface to avoid scratching the finish.
3. **CAUTION:** Do not over tighten screws, nuts or bolts during assembly.
4. Your furniture may require occasional tightening.

## INSTRUCTIONS:

1. Turn the table upside down on a clean soft surface.
2. Attach "L" Metal Brackets (B) to the legs using the Bolt (C) and the Allen Wrench (H). As shown in Figure 1.
3. Attach three legs to the table using Dowel (A), Bolt (D), Lock Washer (F), Flat Washer (G) and the Allen Wrench (H). As shown in Figure 2.
4. Attach bottom panel to the legs using the Bolt (E), Lock Washer (F), Flat Washer (G) and the Allen Wrench (H). As shown in Figure 3.
5. Repeat step 2, 3 for the last leg.
6. Tighten all bolts before using the table.

Figure 1

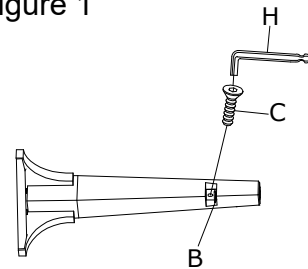


Figure 2

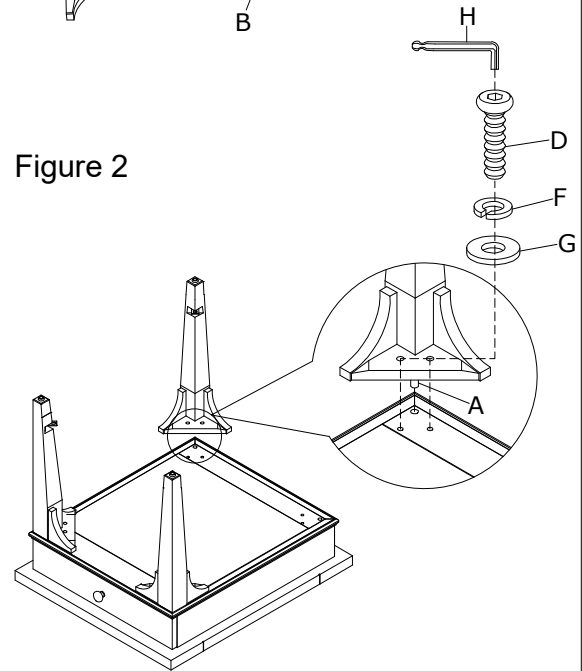
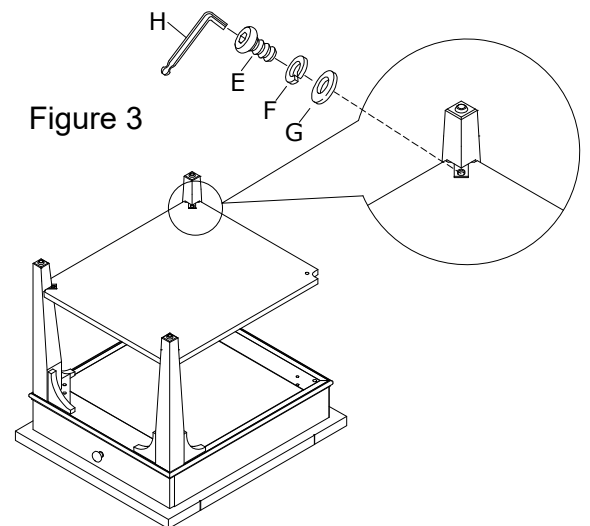


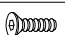
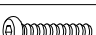
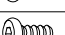





Figure 3



No.	Hardware List		Q'ty
A		Dowel Ø10*40mmL	4pcs
B		"L" Metal Brackets	4pcs
C		Countersink Bolt Ø1/4 "x5/8"	4pcs
D		Bolt Ø1/4 "x 1-3/8 "	8pcs
E		Bolt Ø1/4 "x5/8 "	4pcs
F		Lock Washer Ø1/4"	12pcs
G		Flat Washer Ø1/4"*16mm	12pcs
H		Allen Wrench 4MM	1pc