






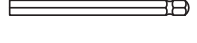
WOOD SWIVEL STOOL

Counter Stool
Barstool

Examine all packaging material for small parts that may have come loose during shipment. Periodic checks are recommended to insure that all components are in proper position, tight and free from damage. Keep this assembly instruction for future reference. Adult assembly is required. This product is designed for residential use only.

HARDWARE LIST

- A (16) 1/4" x 19mm Flat Washers
- B (16) 1/4" Spring Washers
- C (1) 1/4" Allen Wrench
- D (4) 1/4" x 2" Bolts
- E (12) 1/4" x 1-1/2" Bolts
- F (1) 1/4" x 4" Straight Allen Wrench

PART	QTY	HARDWARE	PART	QTY	HARDWARE
A	16		B	16	
C	1		D	4	
E	12		F	1	

PARTS LIST

- G (1) Seat
- H (1) Chair Back
- I (1) Top Round Stretcher
- J (1) Bottom Round Stretcher
- K (4) Legs

STEP 1 - Figure 1

Begin assembly by attaching the Top Round Stretcher (I) and the axis rotation block on bottom of Seat (G) by securing in each corner with 1 Allen Bolt (D), 1 Spring Washer (B) and 1 Flat Washer (A).

STEP 2 - Figure 2

Attach each Leg (K) to Bottom Round Stretcher (J) using 1 Allen Bolt (E), 1 Spring Washer (B) and 1 Flat Washer (A) and to Top Round Stretcher (I) using 2 Allen Bolts (E), 2 Spring Washers (B) and 2 Flat Washers (A). Tighten all bolts using Allen Wrench (C) or Straight Allen Wrench (F), both provided. The assembly is now complete.

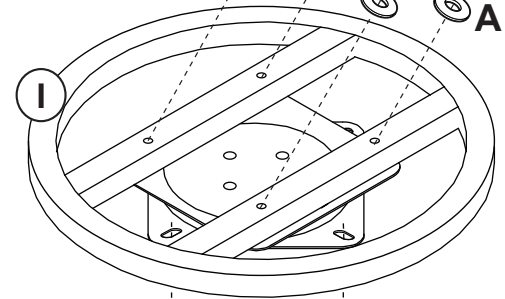
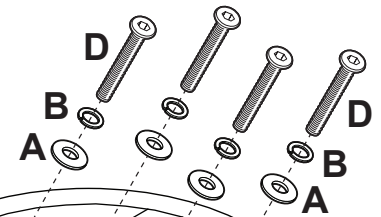


FIGURE 1

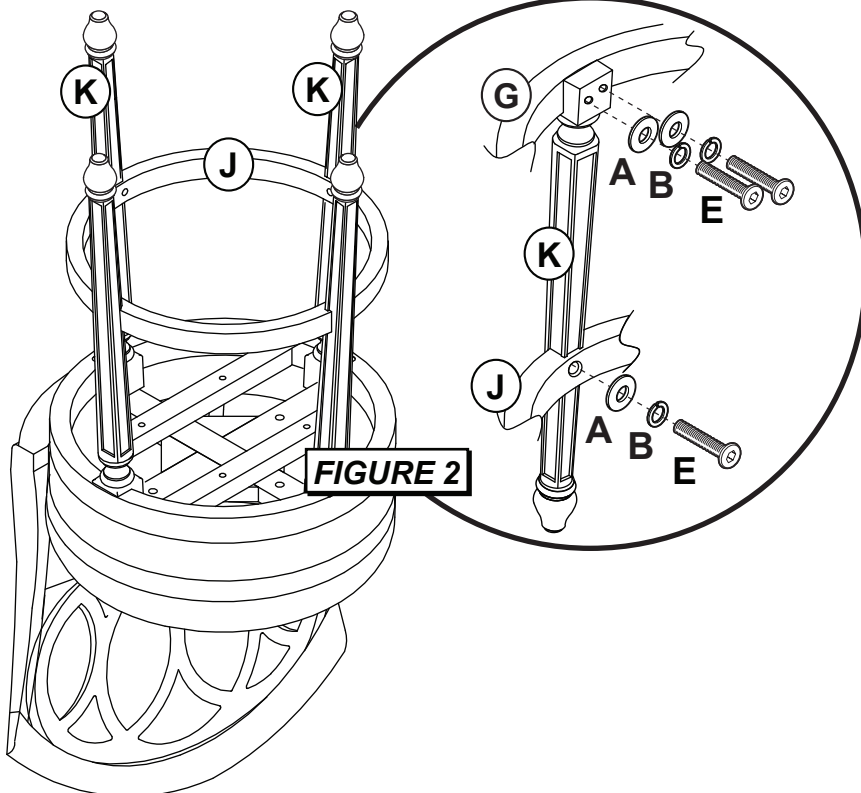
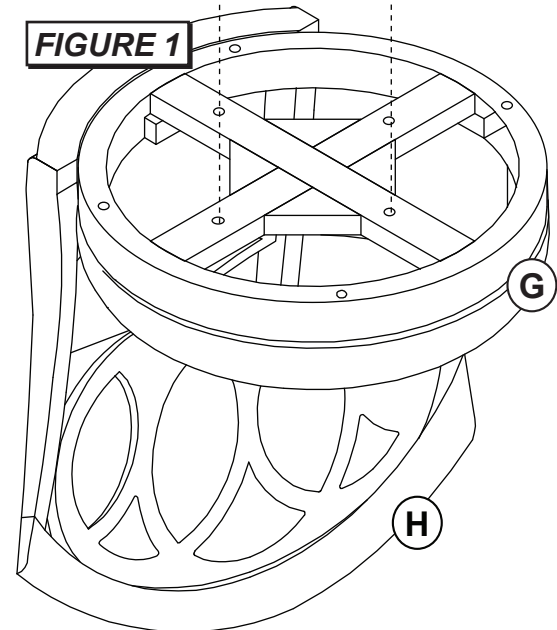


FIGURE 2



CARE & MAINTENANCE: The touch of a soft cloth is all the maintenance the finish will ever need. Please do not use harsh or abrasive cleaners for polishing, as they may cause damage to the finish. Periodic checks are recommended to make sure that all hardware is securely tightened.