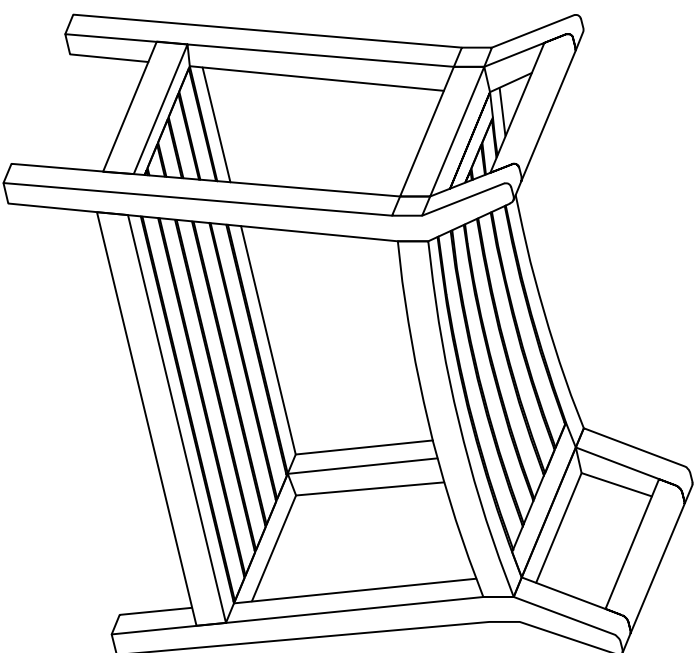


JONATHAN Y

MODEL#STL1000

Product Dimension: 12"D x 25.6W x 23"H

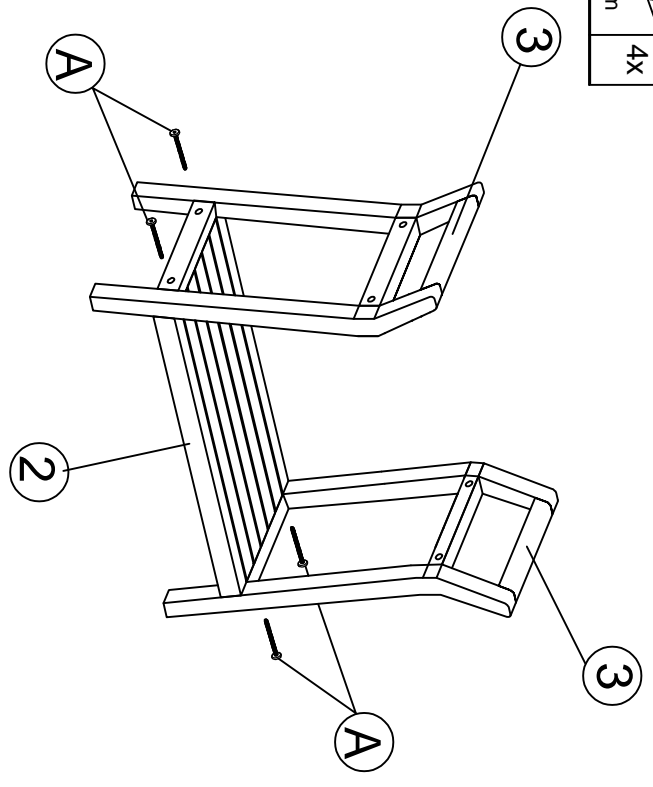
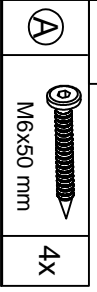


Part List and Hardware List

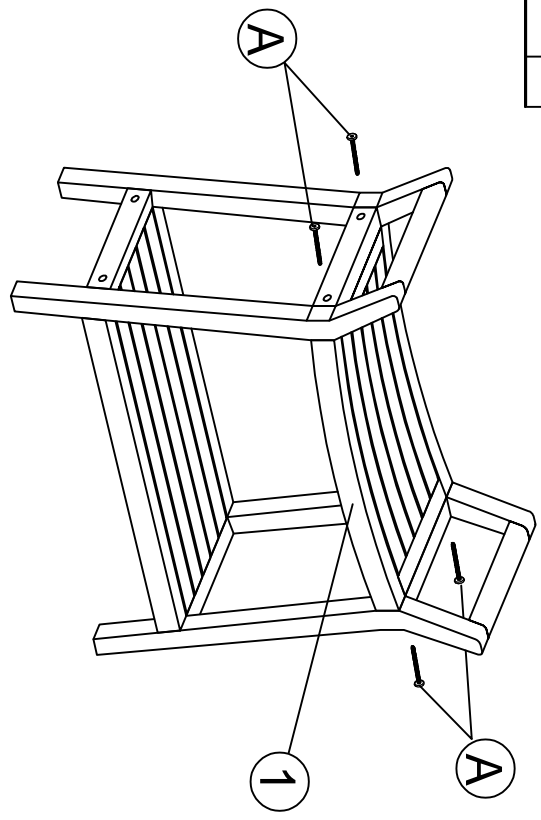
1	Face Cluster 1		1x
2	Face Cluster 2		1x
3	Legs		2x
A	Screw	 M6x50 mm	8x
B	Foot Cap		4x
C	Allen Key	 M4	1x

If there are any questions relating to defects, missing parts, assembly issues or replacements, please send a detailed email to cs@jonathany.com.

1



2



3

