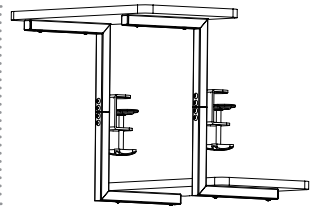
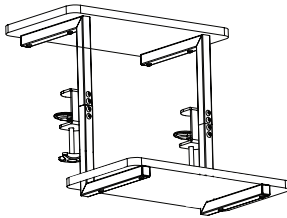
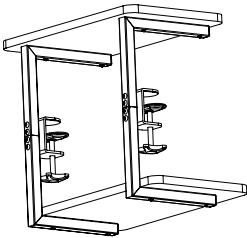


Alternate Assemblies



Clamp-on 16" Flexible Shelving System

SKU: DESK-SHELF2CS

Instruction Manual

Assembly Video & Product Info

www.vivo-us.com/products/desk-shelf2cs



[THIS PAGE INTENTIONALLY LEFT BLANK]

! CAUTION! !

If you do not understand these directions, or if you have any doubts about the safety of the installation, please contact our product support team at 309-278-5303 or help@vivo-us.com for further assistance. Check carefully to make sure there are no missing or defective parts. Improper installation may cause damage or serious injury. Do not use this product for any purpose that is not explicitly specified in this manual. Do not exceed weight capacity. We cannot be liable for damage or injury caused by improper mounting, incorrect assembly or inappropriate use.



WARNING: CHOKING HAZARD

SMALL PARTS - NOT FOR CHILDREN UNDER 3 YEARS. ADULT SUPERVISION IS REQUIRED.



DO NOT EXCEED WEIGHT CAPACITY

FAILURE TO DO SO MAY RESULT IN SERIOUS INJURY.

We're Here for You

Open **Monday - Friday 7:00am - 7:00pm CST**, our dedicated support team can offer immediate assistance with rapid response times. If any parts are received damaged or defective, please contact us. We are happy to replace parts to ensure you have a fully functioning product.



Give us a Call:
309-278-5303

AVG. RESOLUTION TIME (*within office hrs*): **5M 4S**



Chat Us:
www.vivo-us.com

AVG. RESOLUTION TIME (*within office hrs*): **< 15 M**

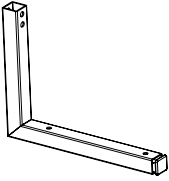


Email Us:
help@vivo-us.com

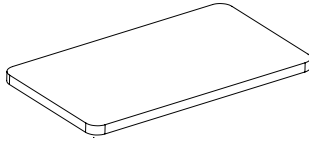
AVG. RESPONSE TIME (*within office hrs*): **1HR 8M**

- 23% within < 15m
- 38% within < 30m
- 61% within < 1hr
- 83% within < 2hr
- 92% within < 3hr

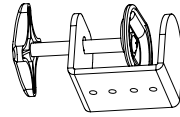
Package Contents



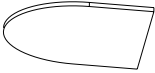
A (x4)
Support Bar



B (x2)
Shelf

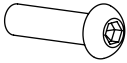


C (x2)
Clamp

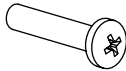


D (x2)
Pad

Included Hardware & Tools



S-A (x8)
M6x25mm Screw



S-B (x8)
M5x30mm Screw



T-A (x1)
4mm Allen Wrench

Weight Capacity:



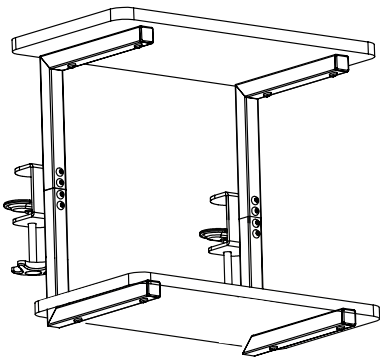
Per Shelf



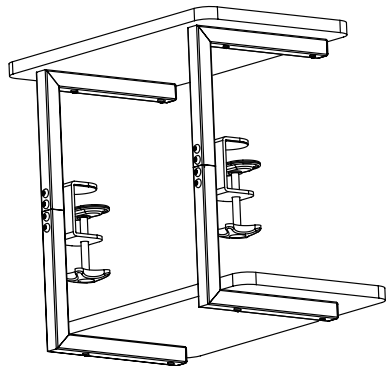
Total

Assembly Options

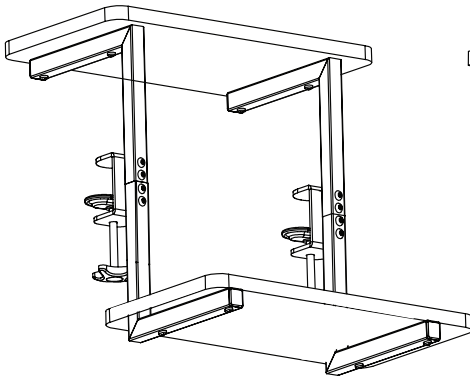
Desk shelf features four different assemblies based on your desired shelf orientation. Choose the option that matches your setup needs.



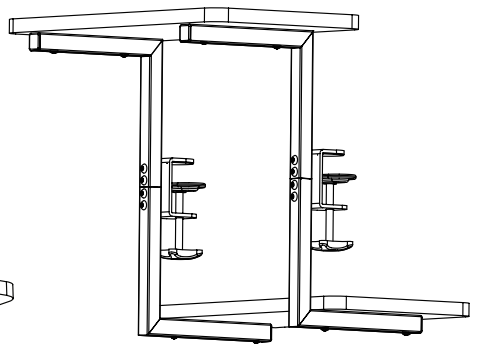
- Option 1 -
Same Side Shelves
Outward Facing
pg.6-7



- Option 2 -
Same Side Shelves
Inward Facing
pg.8-9



- Option 3 -
Alternating Shelves
Top Shelf Inward
pg.10-11

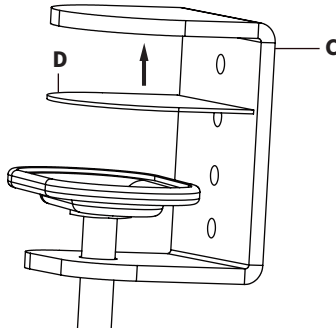


- Option 4 -
Alternating Shelves
Top Shelf Outward
pg.12-14

Option 1
Same Side Shelves | Outward Facing

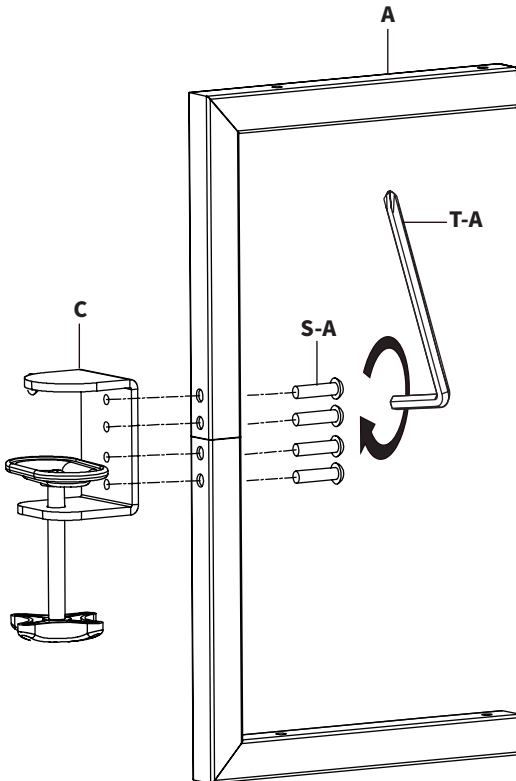
STEP 1

Remove adhesive backing from Pads (D) and apply to inside of Clamps (C).



STEP 2

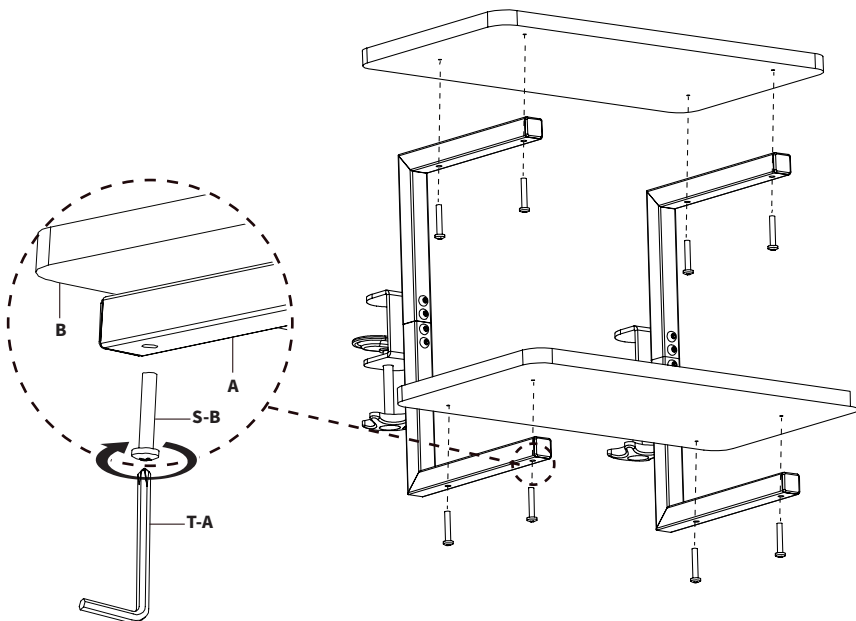
Attach Support Bars (A) to Clamps (C) using M6x25mm Screws (S-A) and 4mm Allen Wrench (T-A).



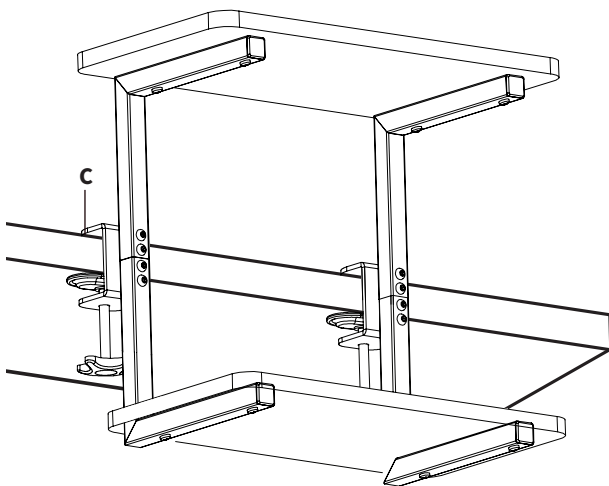
-Outward Facing-

STEP 3

Attach Shelves (B) to the Support Bars (A) using M5x30mm Screws (S-B) and the Phillips end on 4mm Allen Wrench (T-A).



Secure assembly to your desktop by tightening Clamps (C) until firm.

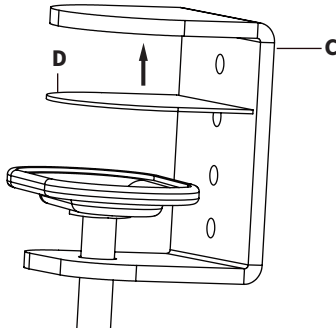


***Assembly
Complete***

Option 2
Same Side Shelves | Inward Facing

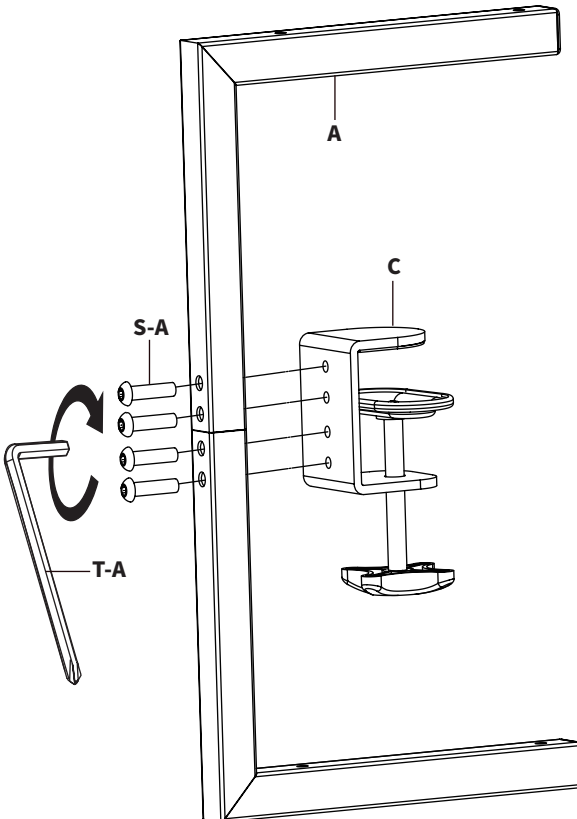
STEP 1

Remove adhesive backing from Pads **(D)** and apply to inside of Clamps **(C)**.



STEP 2

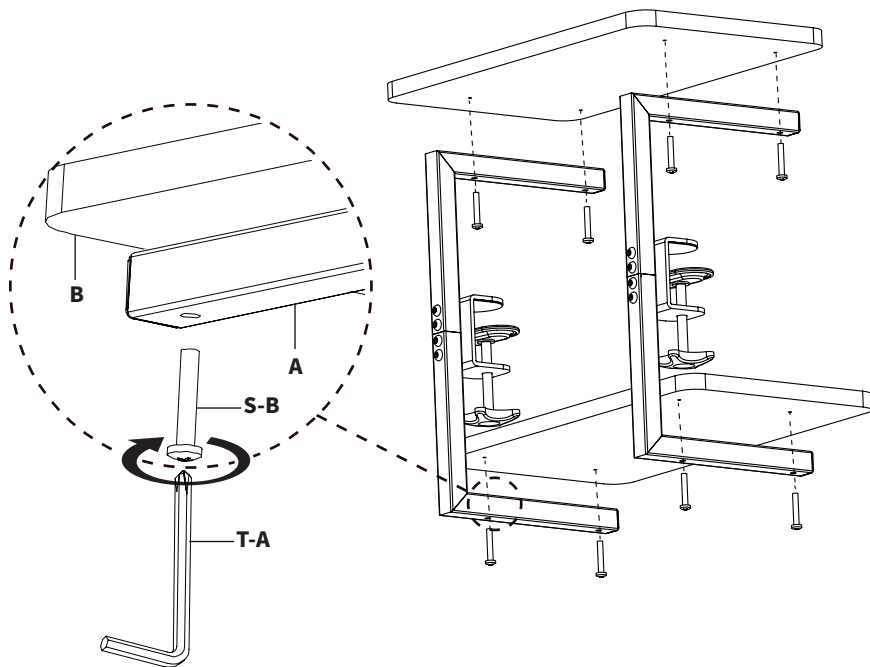
Attach Support Bars **(A)** to Clamps **(C)** using M6x25mm Screws **(S-A)** and 4mm Allen Wrench **(T-A)**.



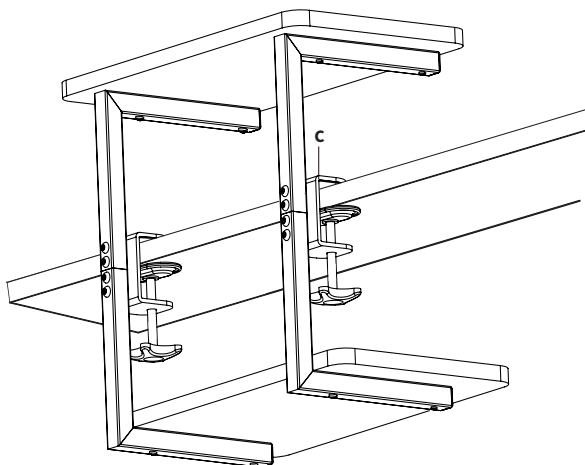
-Inward Facing-

STEP 3

Attach Shelves (B) to the Support Bars (A) using M5x30mm Screws (S-B) and the Phillips end on 4mm Allen Wrench (T-A).



Secure assembly to your desktop by tightening Clamps (C) until firm.

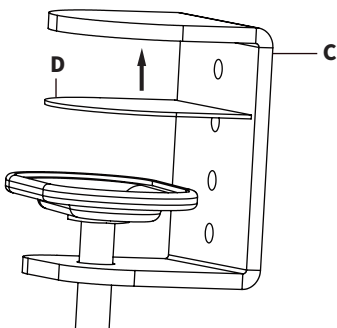


**Assembly
Complete**

Option 3
Alternating Shelves | Top Shelf Inward

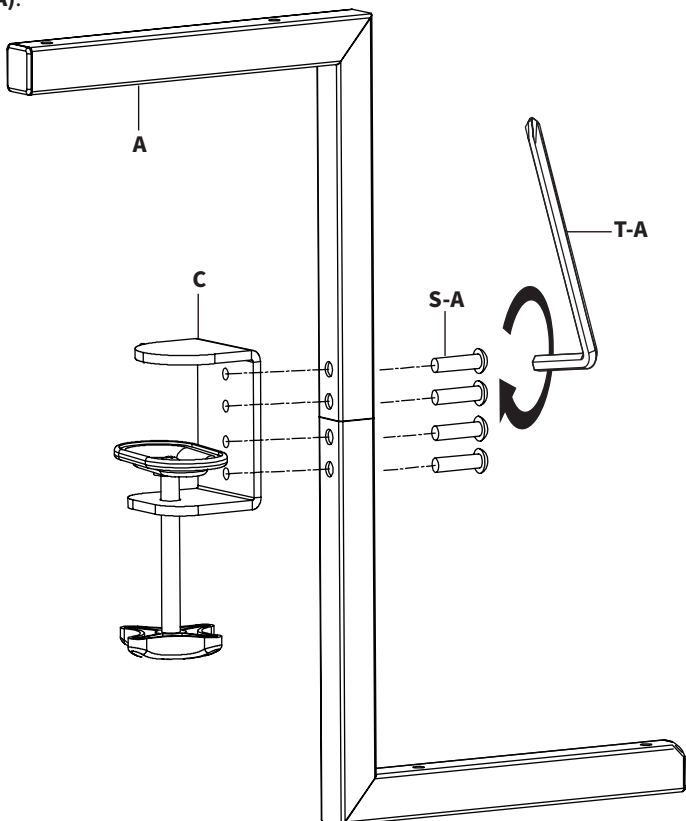
STEP 1

Remove adhesive backing from Pads (D) and apply to inside of Clamps (C).



STEP 2

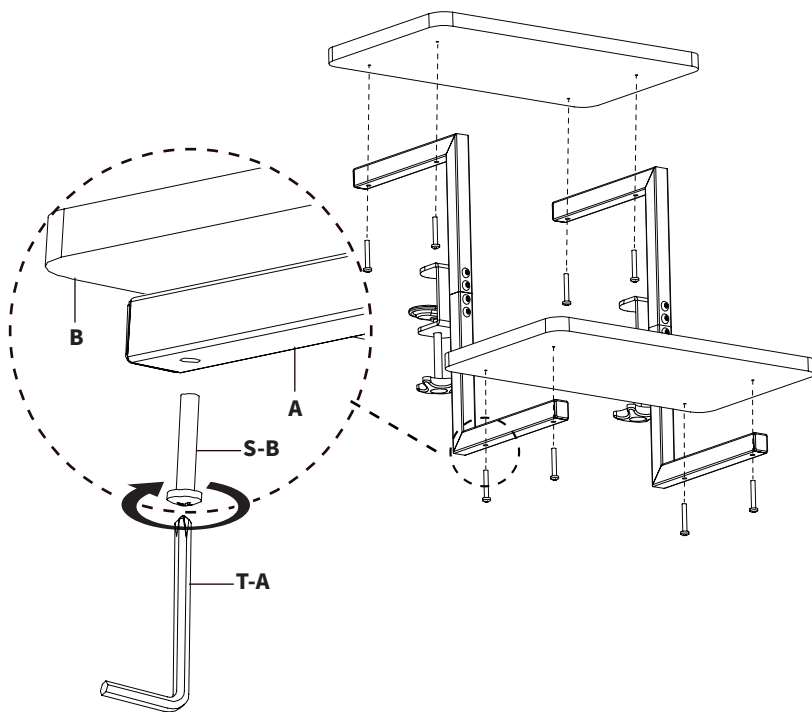
Attach Support Bars (A) to Clamps (C) using M6x25mm Screws (S-A) and 4mm Allen Wrench (T-A).



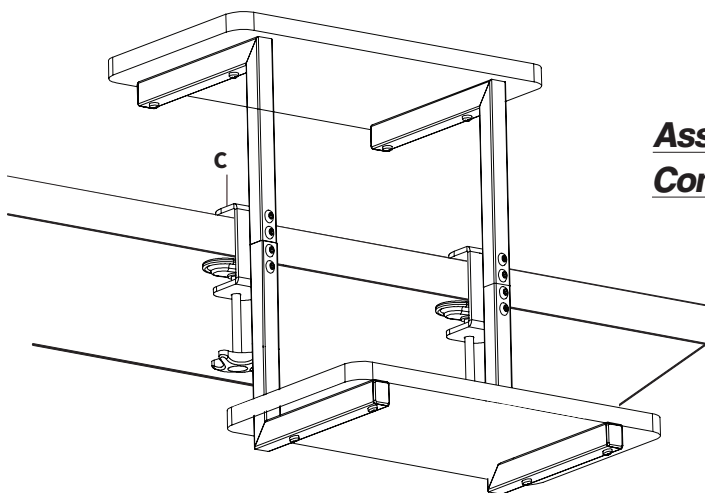
-Top Shelf Inward-

STEP 3

Attach Shelves (**B**) to the Support Bars (**A**) using M5x30mm Screws (**S-B**) and the Phillips end on 4mm Allen Wrench (**T-A**).



Secure assembly to your desktop by tightening Clamps (**C**) until firm.



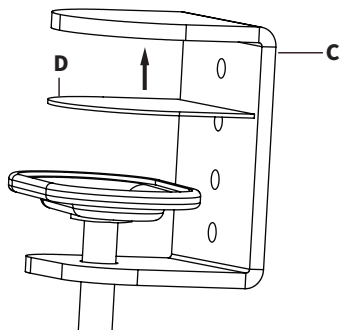
Assembly
Complete

-Top Shelf Inward-

Option 4
Same Side Shelves | Top Shelf Outward

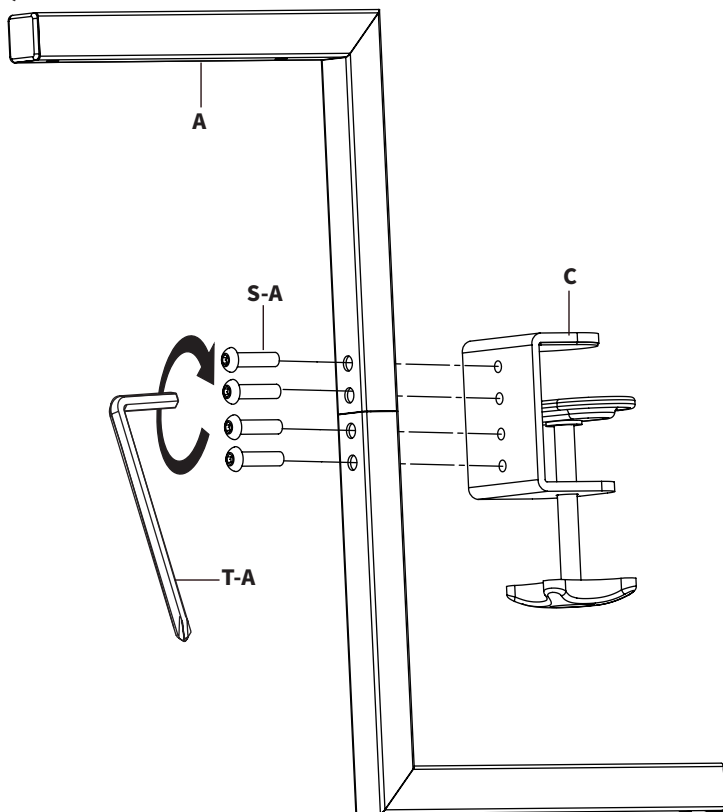
STEP 1

Remove adhesive backing from Pads **(D)** and apply to inside of Clamps **(C)**.



STEP 2

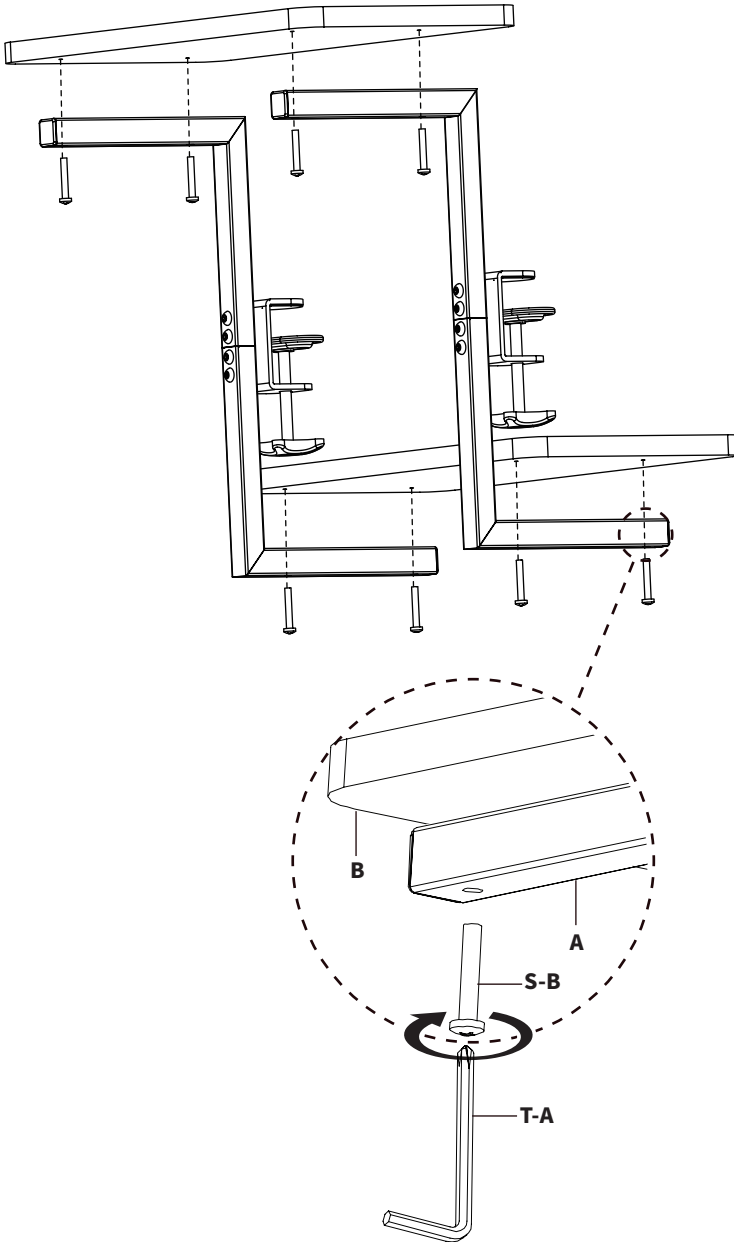
Attach Support Bars **(A)** to Clamps **(C)** using M6x25mm Screws **(S-A)** and 4mm Allen Wrench **(T-A)**.



-Top Shelf Outward-

STEP 3

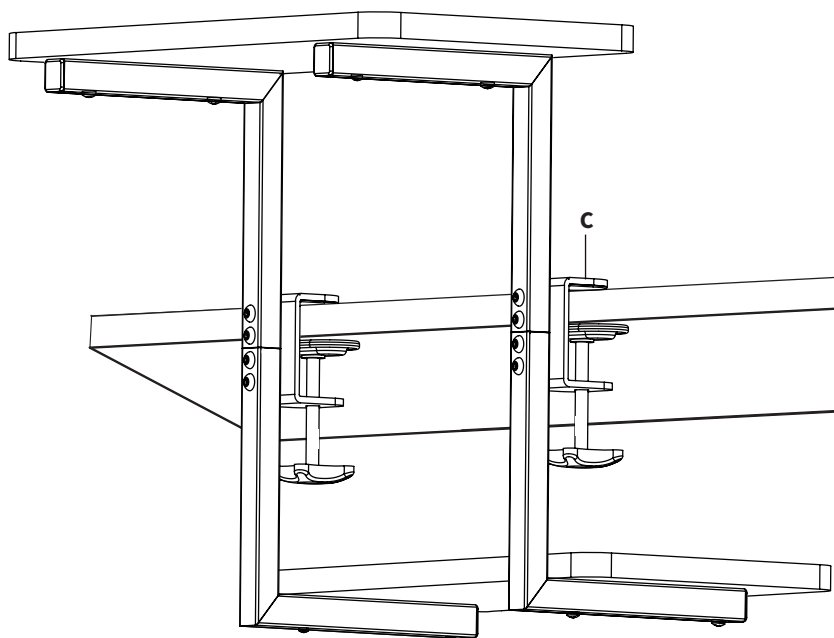
Attach Shelves (**B**) to the Support Bars (**A**) using M5x30mm Screws (**S-B**) and the Phillips end on 4mm Allen Wrench (**T-A**).



-Top Shelf Outward-

STEP 3 - CONT'D

Secure assembly to your desktop by tightening Clamps **(C)** until firm.



Assembly Complete

[THIS PAGE INTENTIONALLY LEFT BLANK]



Need Help? Get In Touch

Monday-Friday from 7:00am-7:00pm CST



help@vivo-us.com



www.vivo-us.com

Chat live with an agent!



309-278-5303



VIVO-us @vivo_us

FOR MORE GREAT VIVO PRODUCTS,
CHECK OUT OUR WEBSITE AT: WWW.VIVO-US.COM