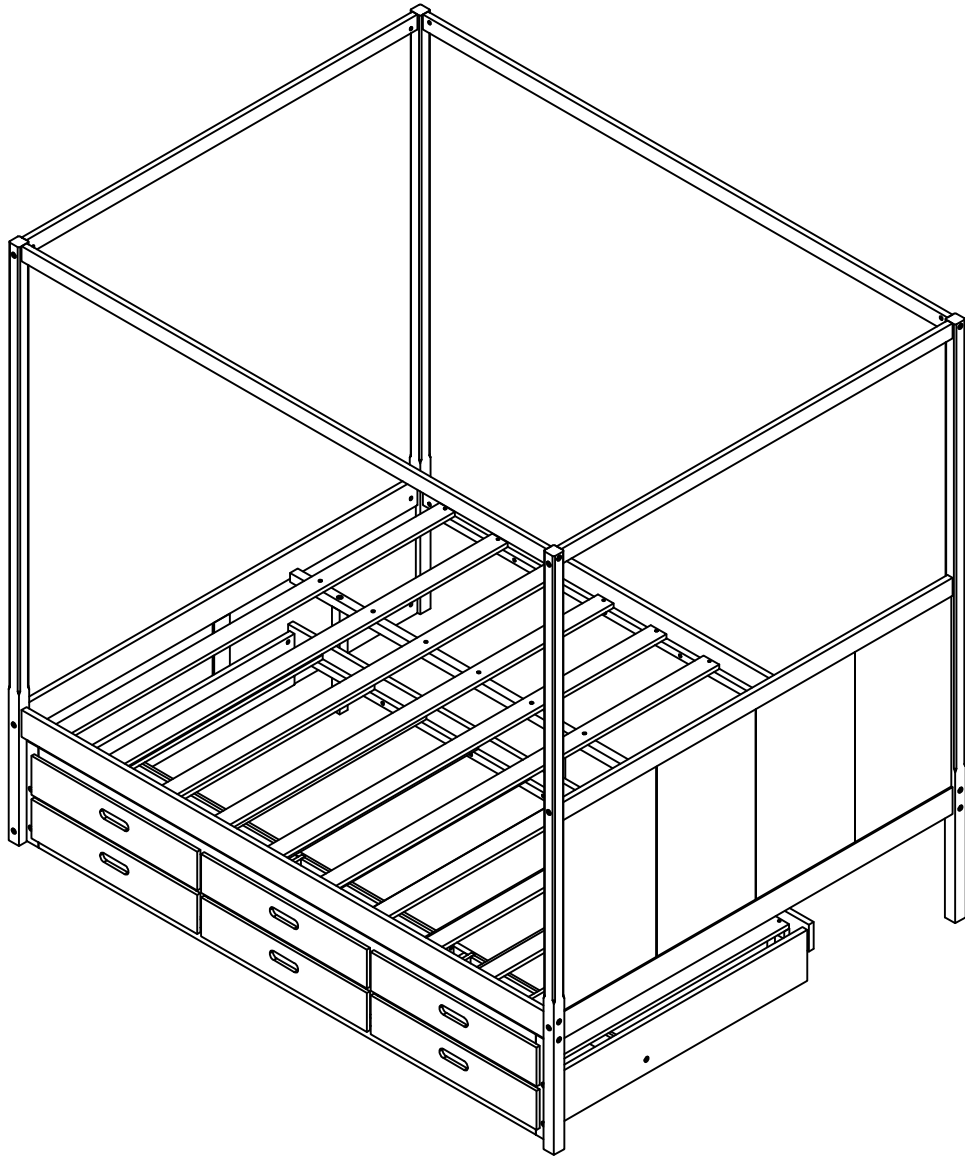
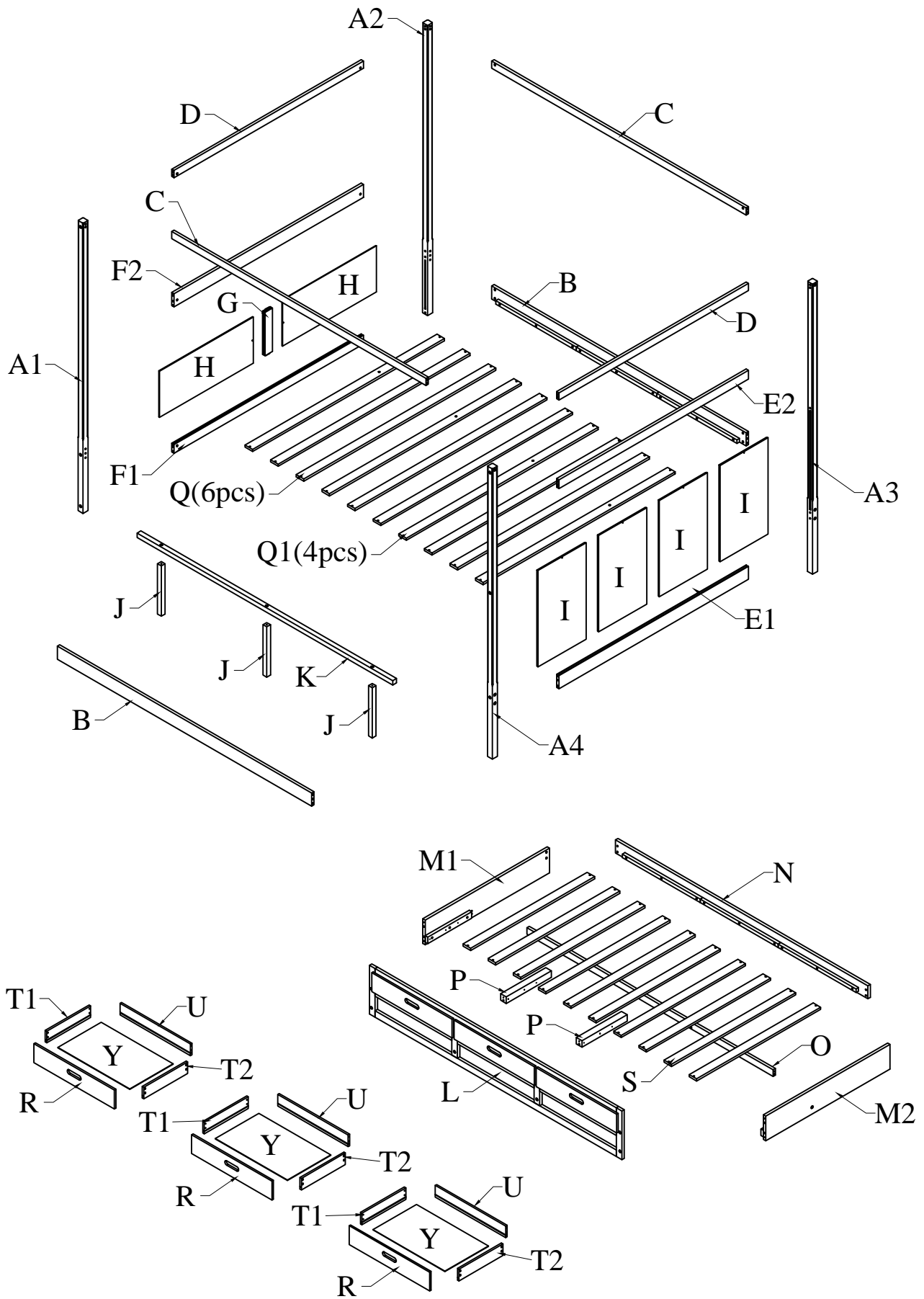


# ASSEMBLY INSTRUCTIONS



# DETAIL VIEW



# BOX 1

A1



Front leg - left (1pc)

A2



Back leg - left (1pc)

A3



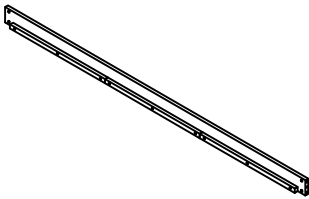
Back leg - right (1pc)

A4



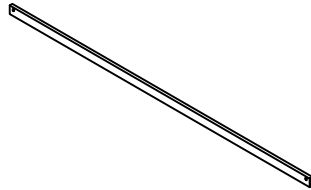
Front leg - right (1pc)

B



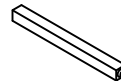
Side rail (2pcs)

C



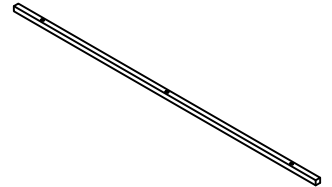
Top rail - horizontal (2pcs)

J



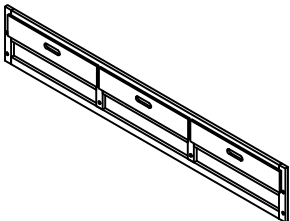
Middle leg (3pcs)

K



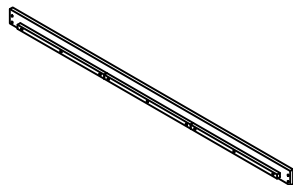
Support slats (1pc)

L



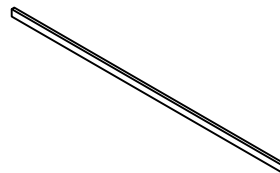
Front trundle (1pc)

N



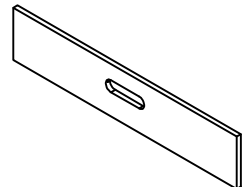
Back trundle (1pc)

O



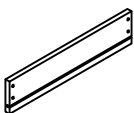
Support trundle (1pc)

R



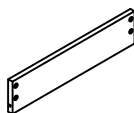
Front - drawers (3pcs)

T1



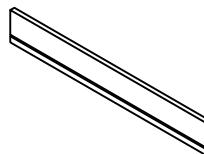
Side drawers - left (3pcs)

T2



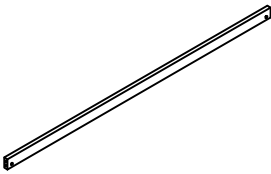
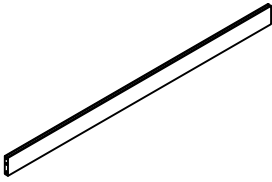
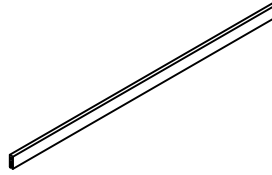
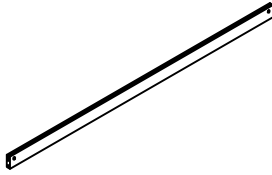
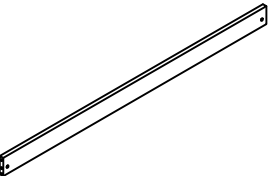

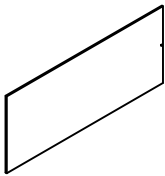

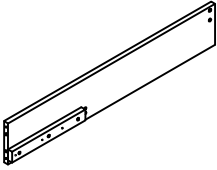
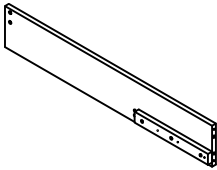
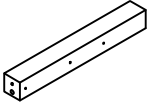
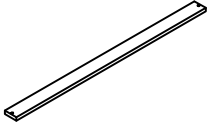
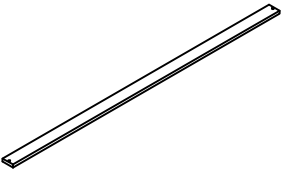
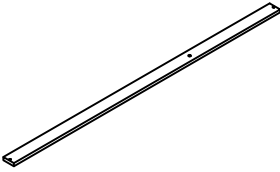
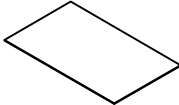
Side drawers - right (3pcs)

U

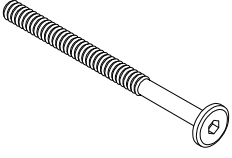
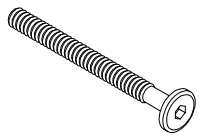
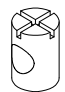
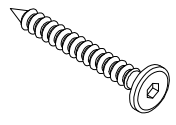
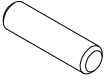
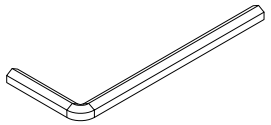
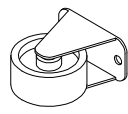
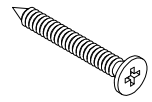
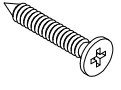

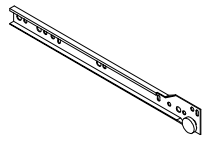
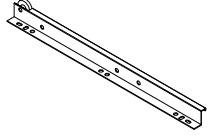


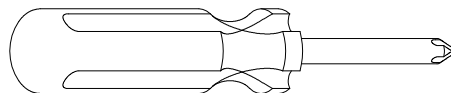
Back - drawers (3pcs)

# BOX 2

<p>D</p>  <p>Top rail - vertical (2pcs)</p>	<p>E1</p>  <p>Bottom rail - right (1pc)</p>	<p>E2</p>  <p>Middle rail - right (1pc)</p>	<p>F1</p>  <p>Bottom rail - left (1pc)</p>
<p>F2</p>  <p>Middle rail - left (1pc)</p>	<p>G</p>  <p>Vertical rail (1pc)</p>	<p>H</p>  <p>Panel - left (2pcs)</p>	<p>I</p>  <p>Panel - right (4pcs)</p>
<p>M1</p>  <p>Side trundle - left (1pc)</p>	<p>M2</p>  <p>Side trundle - right (1pc)</p>	<p>P</p>  <p>Support drawer (2pcs)</p>	<p>S</p>  <p>Short slats (10pcs)</p>
<p>Q</p>  <p>Long slats (6pcs)</p>	<p>Q1</p>  <p>Long slats (4pcs)</p>	<p>Y</p>  <p>Bottom - drawer (3pcs)</p>	




# HARDWARE LIST

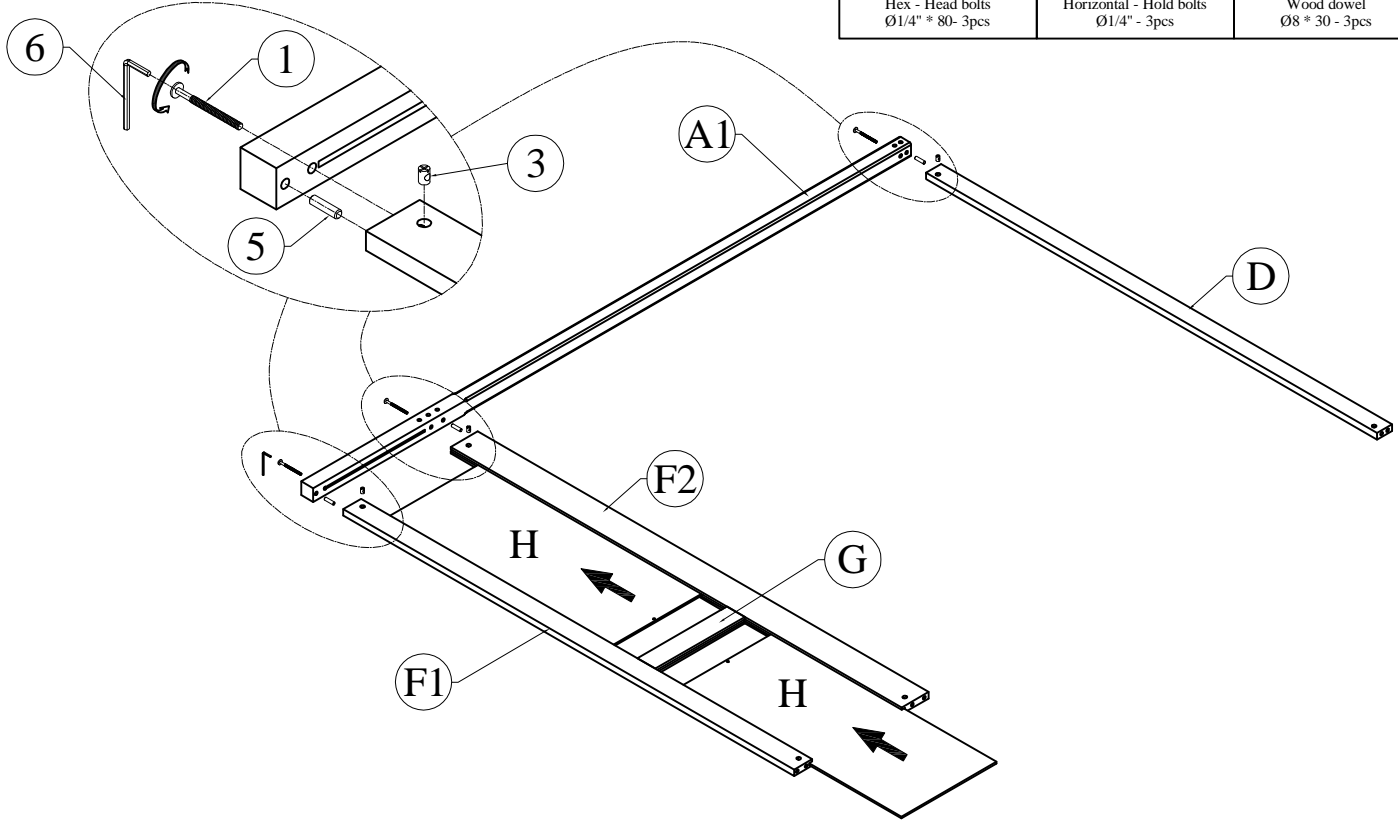
<p>1</p>  <p>Hex - Head bolts Ø1/4" * 80 - 24pcs</p>	<p>2</p>  <p>Hex - Head bolts Ø1/4" * 60 - 4pcs</p>	<p>3</p>  <p>Horizontal - Hold bolts Ø1/4" - 28pcs</p>	<p>4</p>  <p>Hexagonal bolts catch wood Ø6 * 50 - 13pcs</p>
<p>5</p>  <p>Wood dowel Ø8 * 30 - 30pcs</p>	<p>6</p>  <p>Allen key K4 - 1pc</p>	<p>7</p>  <p>Wheel 4pcs</p>	<p>8</p>  <p>Wood crews M4 * 35 - 4pcs</p>
<p>9</p>  <p>Wood crews M4 * 25 - 64pcs</p>	<p>10</p>  <p>Wood crews M3.5 * 15 - 44pcs</p>	<p>11L/R</p>  <p>L/R Sliding rail - outside 6pcs</p>	<p>12L/R</p>  <p>L/R Sliding rail - inside 6pcs</p>



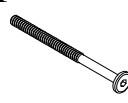


**Assembly Tools Required (Not Included)**

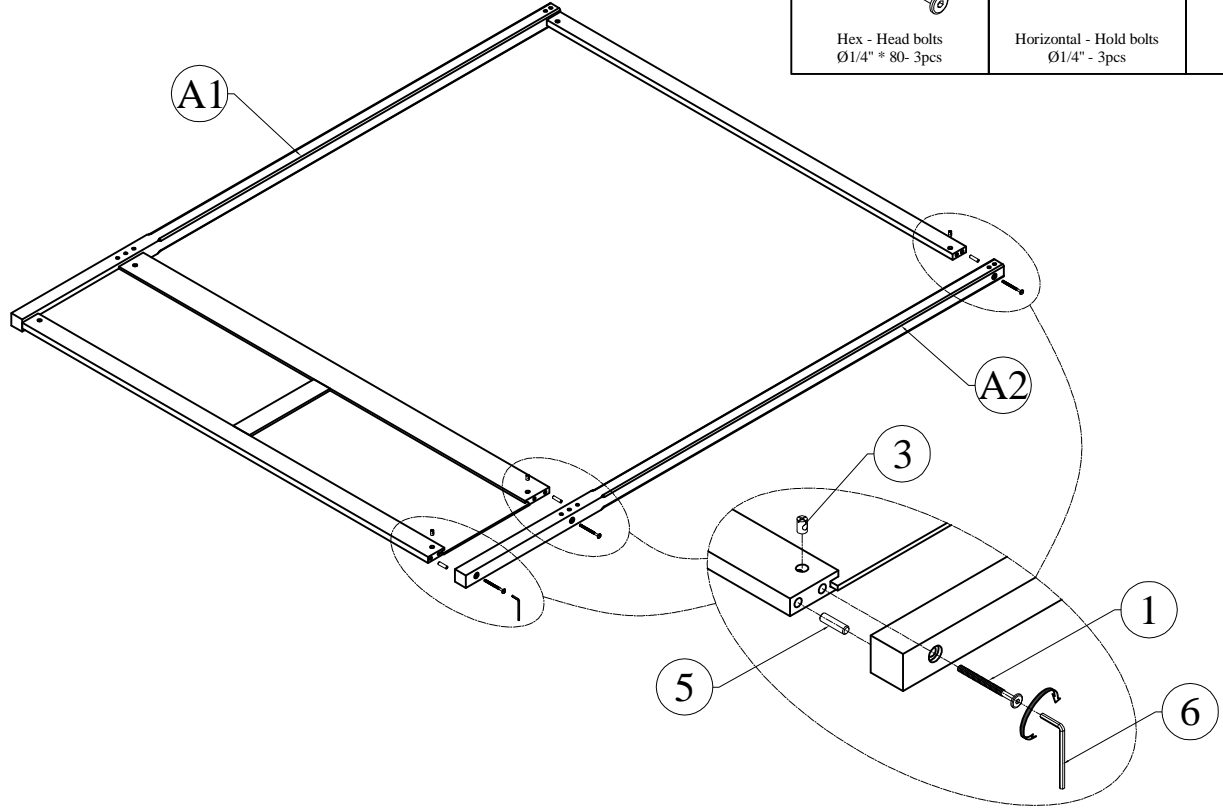
# STEP 1

<p>1</p>  <p>Hex - Head bolts Ø1/4" * 80- 3pcs</p>	<p>3</p>  <p>Horizontal - Hold bolts Ø1/4" - 3pcs</p>	<p>5</p>  <p>Wood dowel Ø8 * 30 - 3pcs</p>
--	--	---






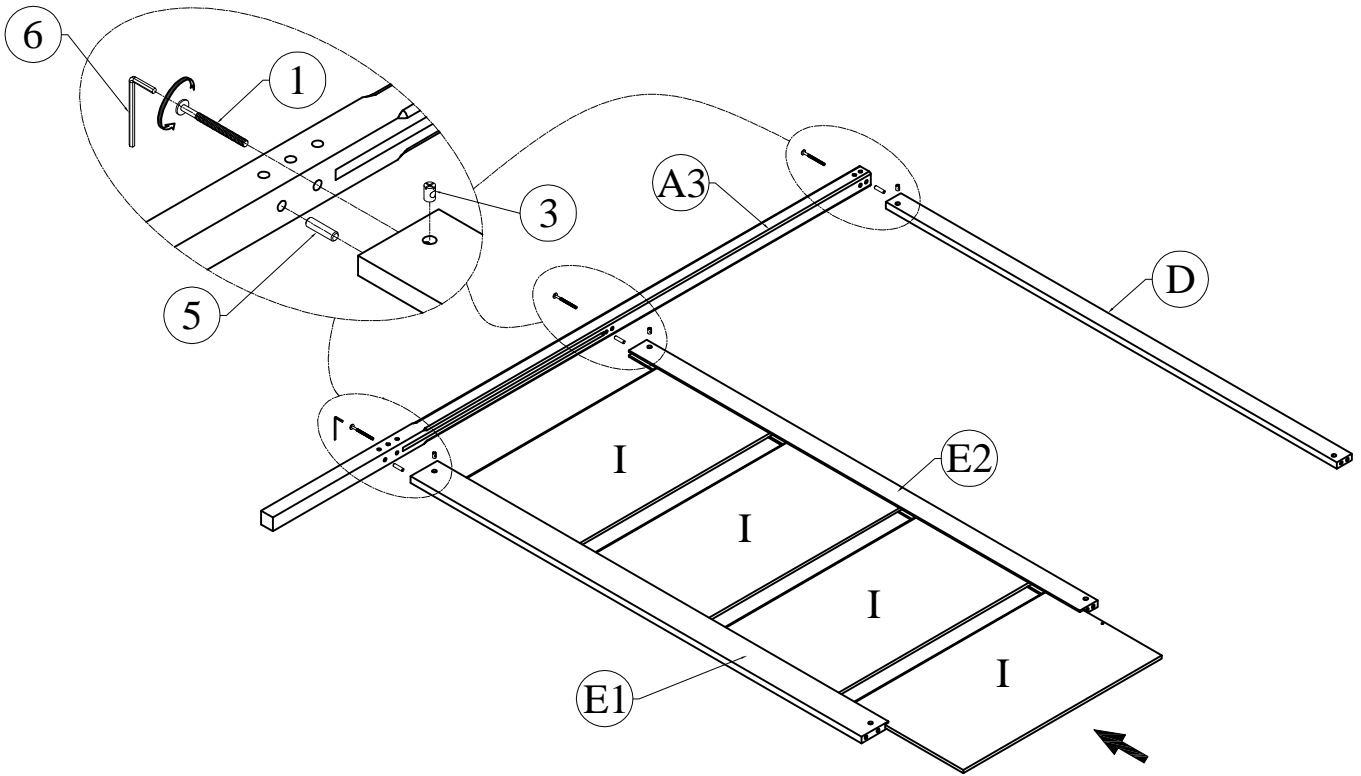
# STEP 2

<p>1</p>  <p>Hex - Head bolts Ø1/4" * 80- 3pcs</p>	<p>3</p>  <p>Horizontal - Hold bolts Ø1/4" - 3pcs</p>	<p>5</p>  <p>Wood dowel Ø8 * 30 - 3pcs</p>
--	--	---






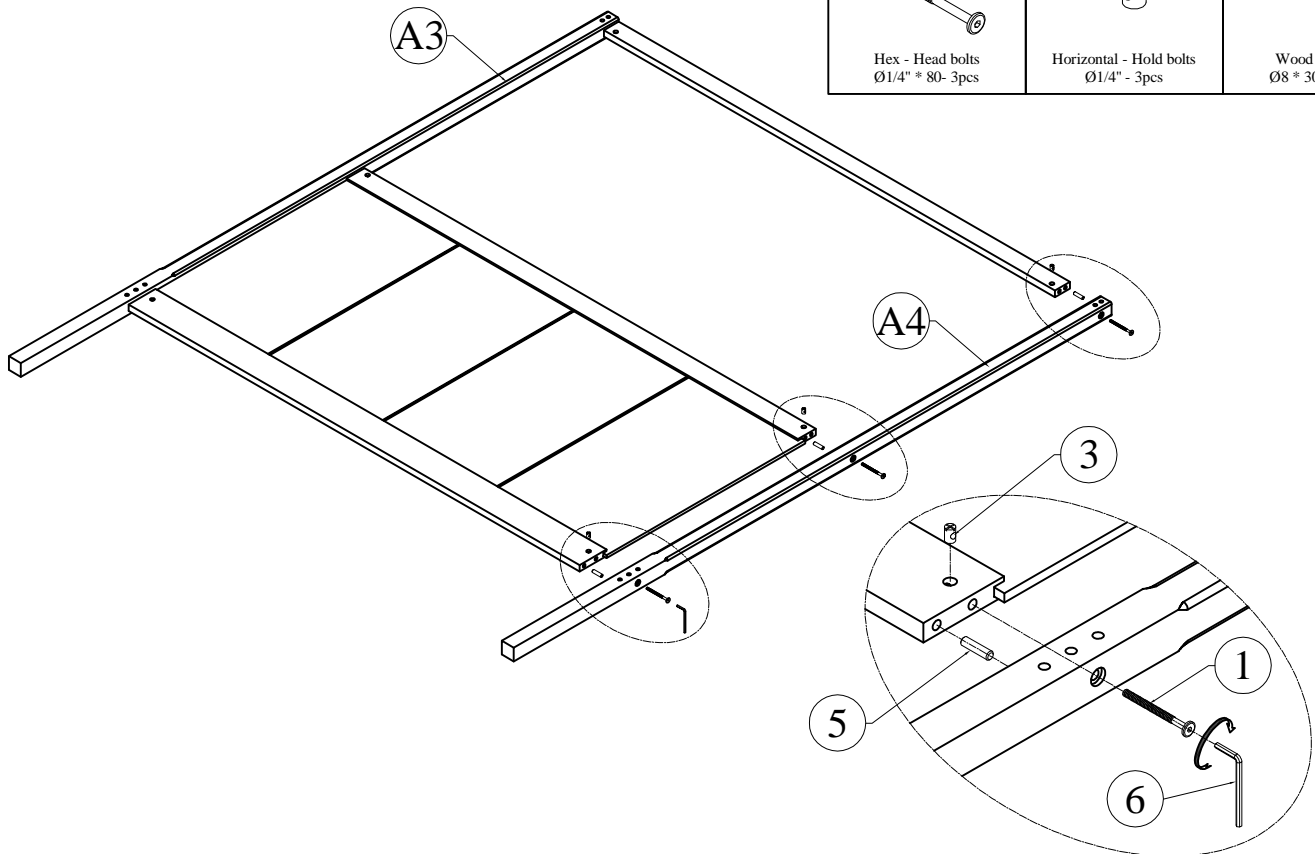
# STEP 3

<p>1</p>  <p>Hex - Head bolts Ø1/4" * 80- 3pcs</p>	<p>3</p>  <p>Horizontal - Hold bolts Ø1/4" - 3pcs</p>	<p>5</p>  <p>Wood dowel Ø8 * 30 - 3pcs</p>
--	--	---

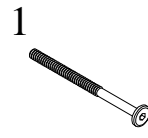


# STEP 4

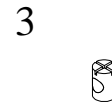
<p>1</p>  <p>Hex - Head bolts Ø1/4" * 80- 3pcs</p>	<p>3</p>  <p>Horizontal - Hold bolts Ø1/4" - 3pcs</p>	<p>5</p>  <p>Wood dowel Ø8 * 30 - 3pcs</p>
--	--	---



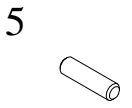
# STEP 5



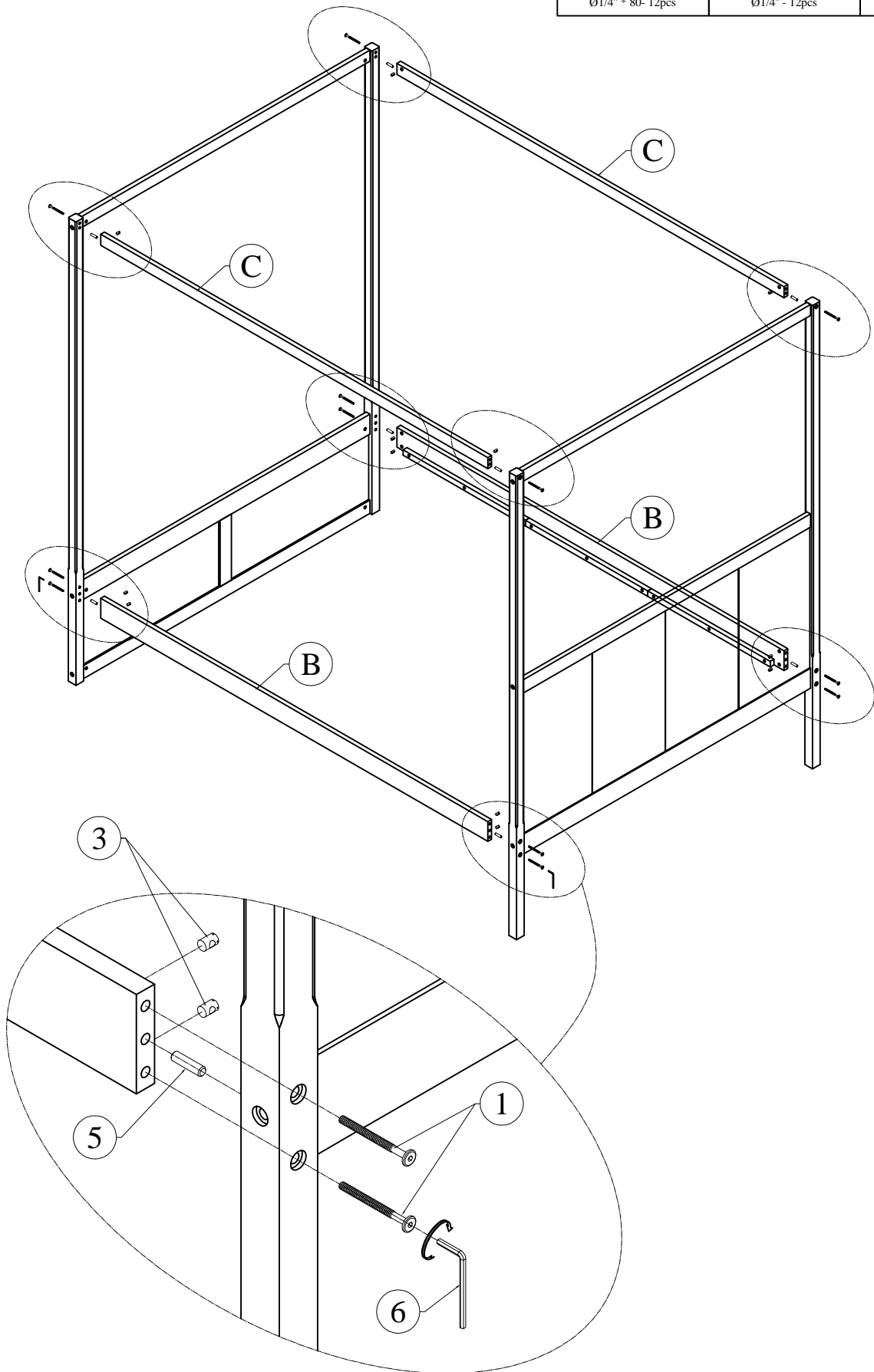
Hex - Head bolts  
Ø1/4" \* 80- 12pcs



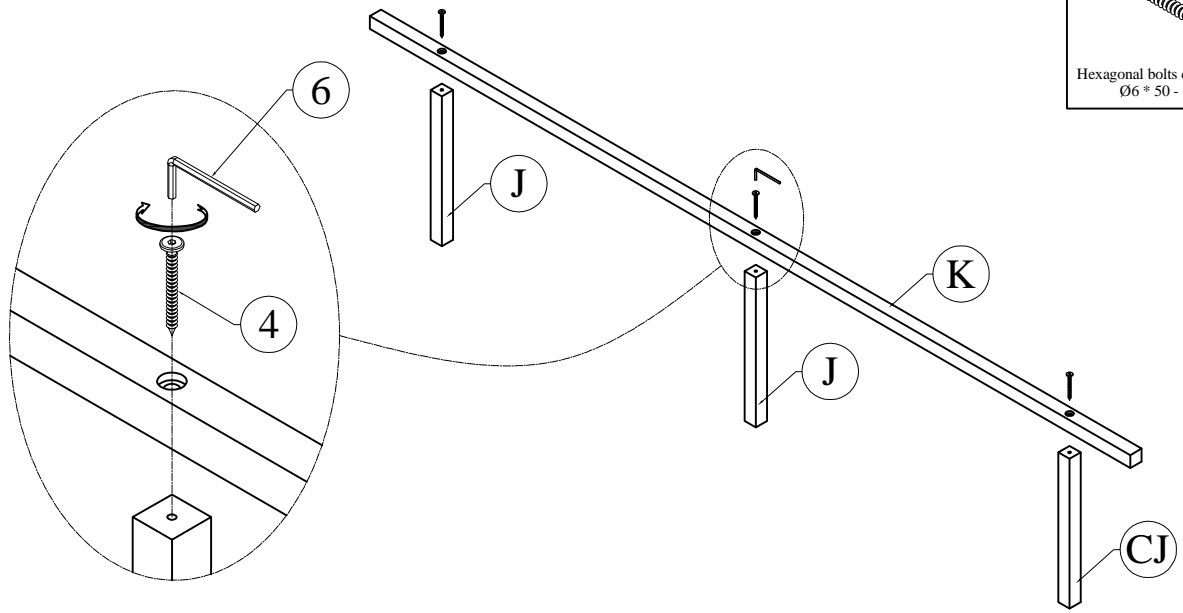
Horizontal - Hold bolts  
Ø1/4" - 12pcs



Wood dowel  
Ø8 \* 30 - 8pcs

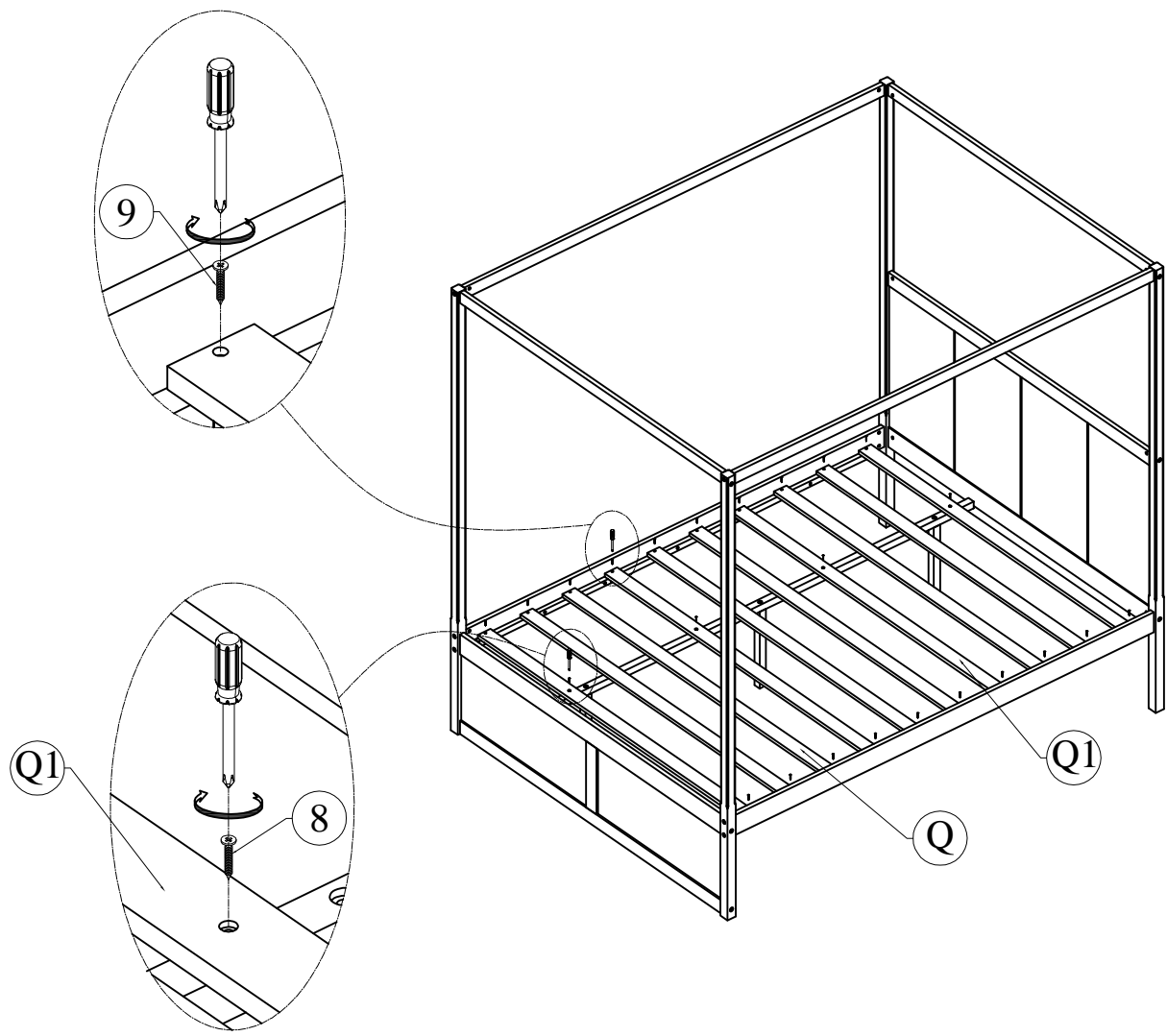


# STEP 6



4  
Hexagonal bolts catch wood  
Ø6 \* 50 - 3pcs


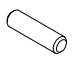
# STEP 7

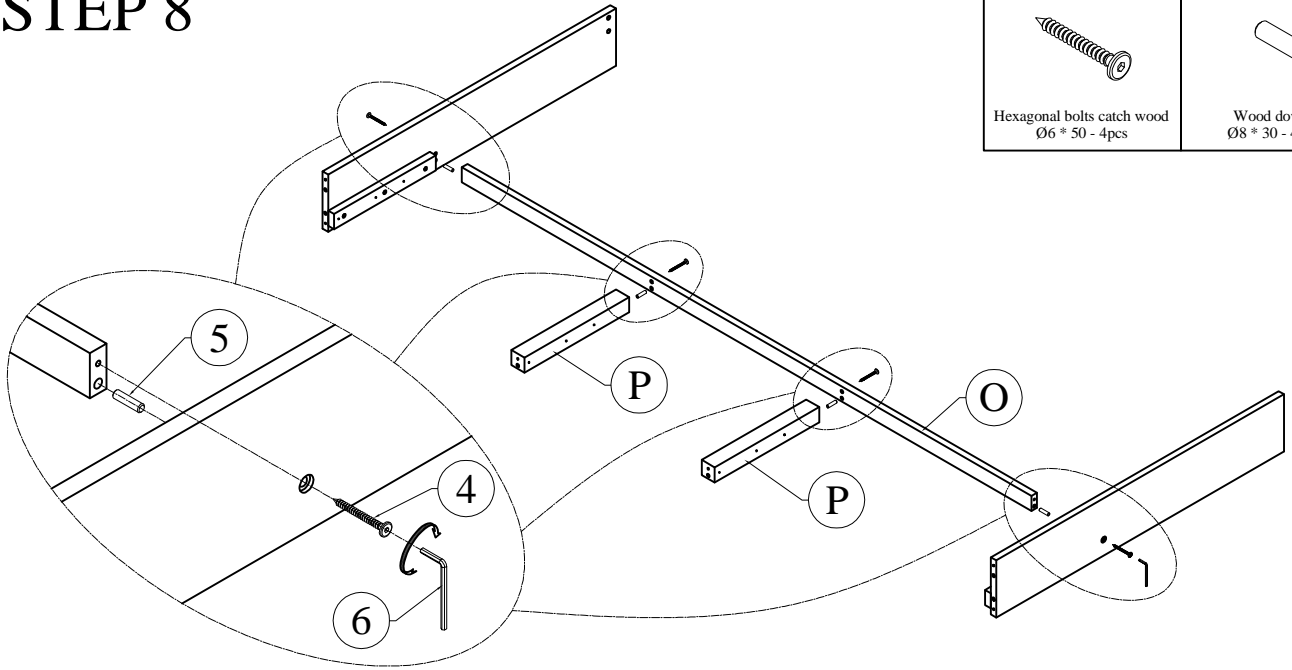


8  
Wood crews  
M4 \* 35 - 4pcs

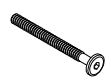


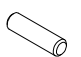
9  
Wood crews  
M4 \* 25 - 20pcs

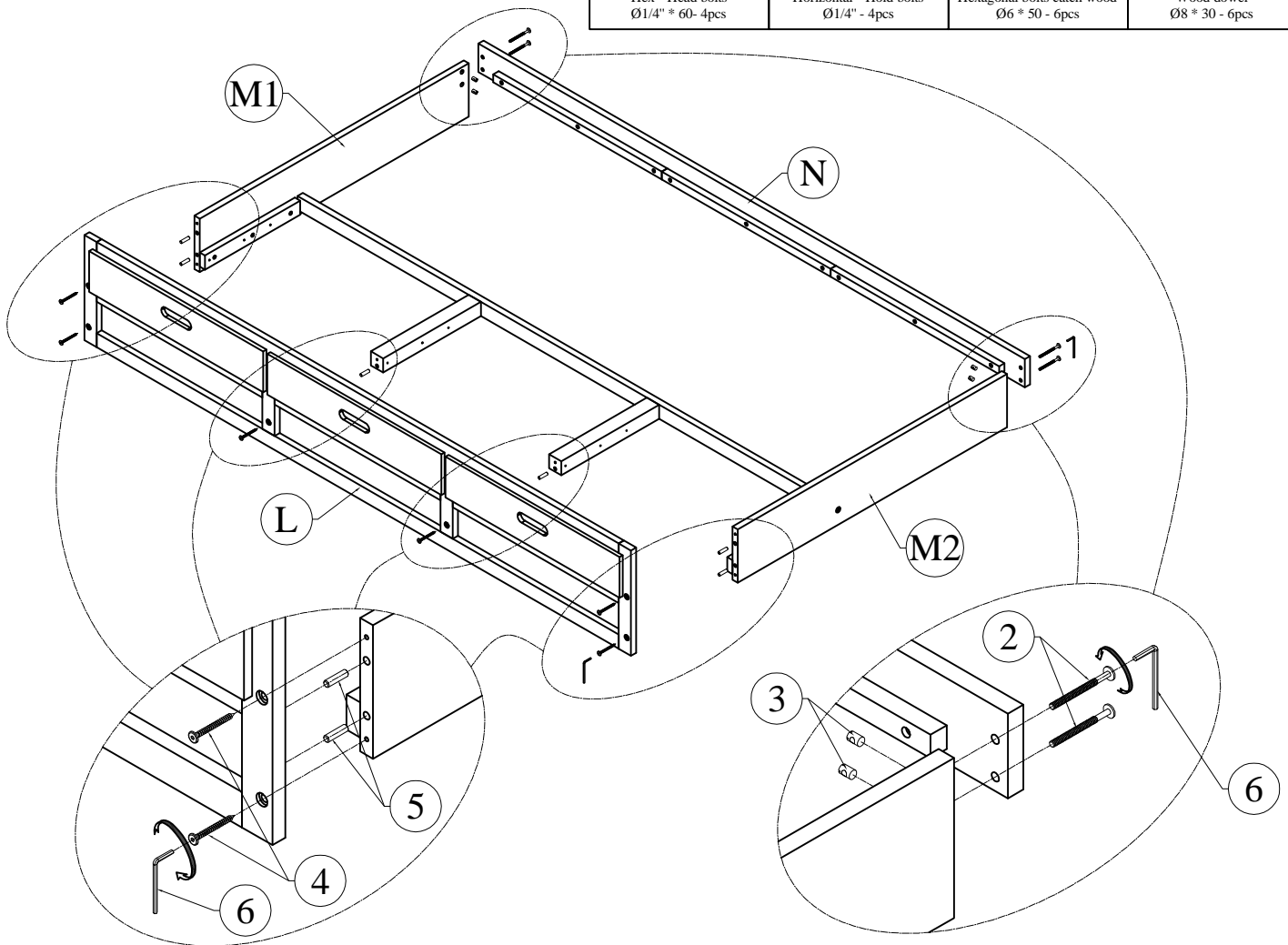
# STEP 8

<p>4</p>  <p>Hexagonal bolts catch wood Ø6 * 50 - 4pcs</p>	<p>5</p>  <p>Wood dowel Ø8 * 30 - 4pcs</p>
---	---



# STEP 9

<p>2</p>  <p>Hex - Head bolts Ø1/4" * 60- 4pcs</p>	<p>3</p>  <p>Horizontal - Hold bolts Ø1/4" - 4pcs</p>	<p>4</p>  <p>Hexagonal bolts catch wood Ø6 * 50 - 6pcs</p>	<p>5</p>  <p>Wood dowel Ø8 * 30 - 6pcs</p>
--	--	--	---



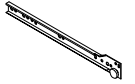
# STEP 10

10

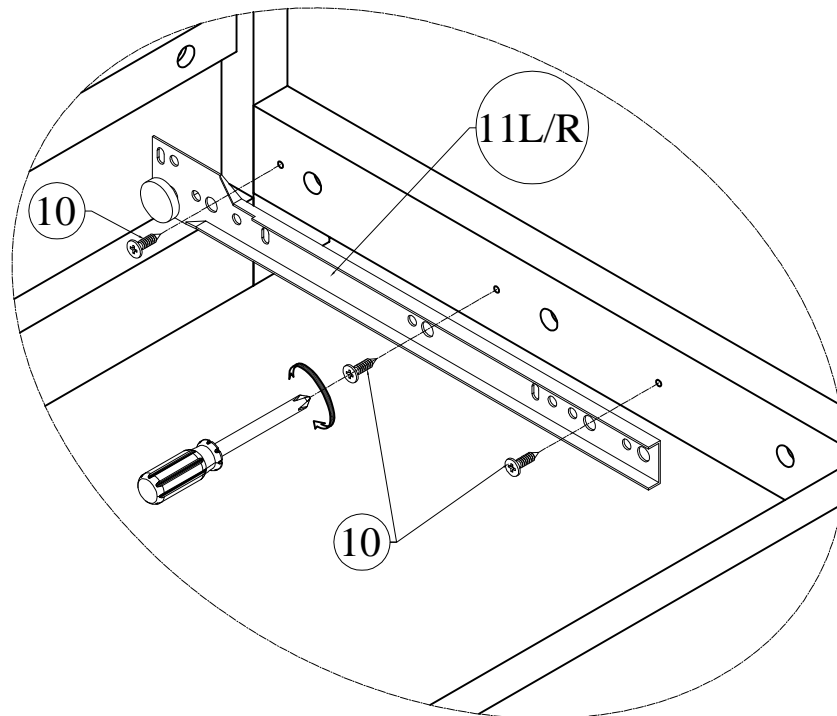
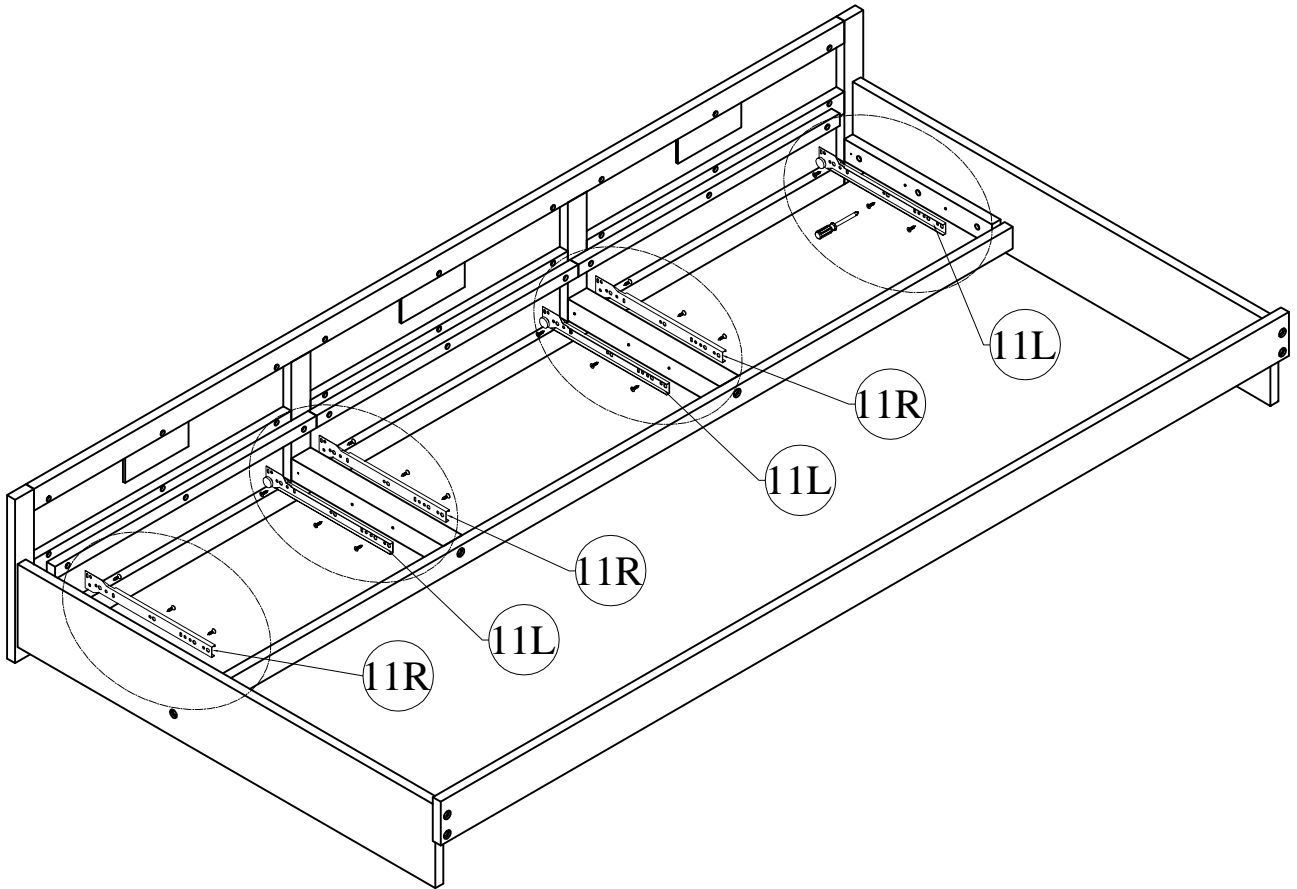


Wood crews  
M3.5 \* 15 - 18pcs

11L/R



L/R Sliding rail - outside  
6pcs

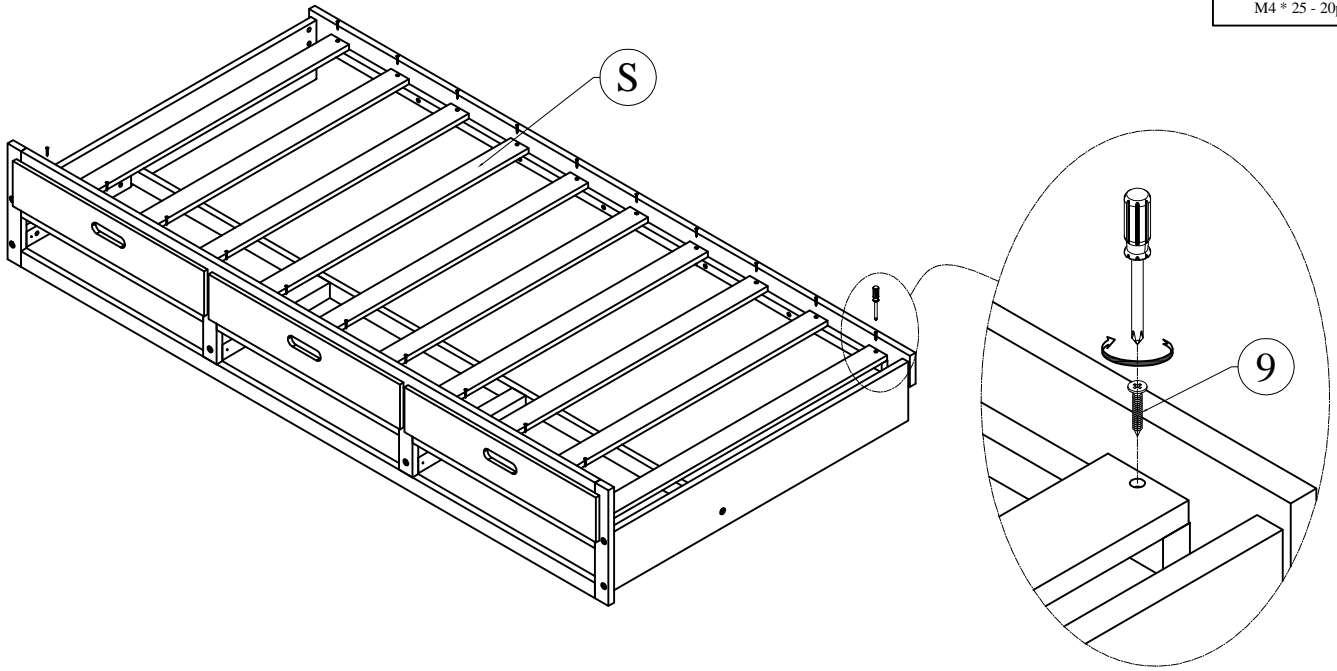


# STEP 11

9



Wood crews  
M4 \* 25 - 20pcs



# STEP 12

7

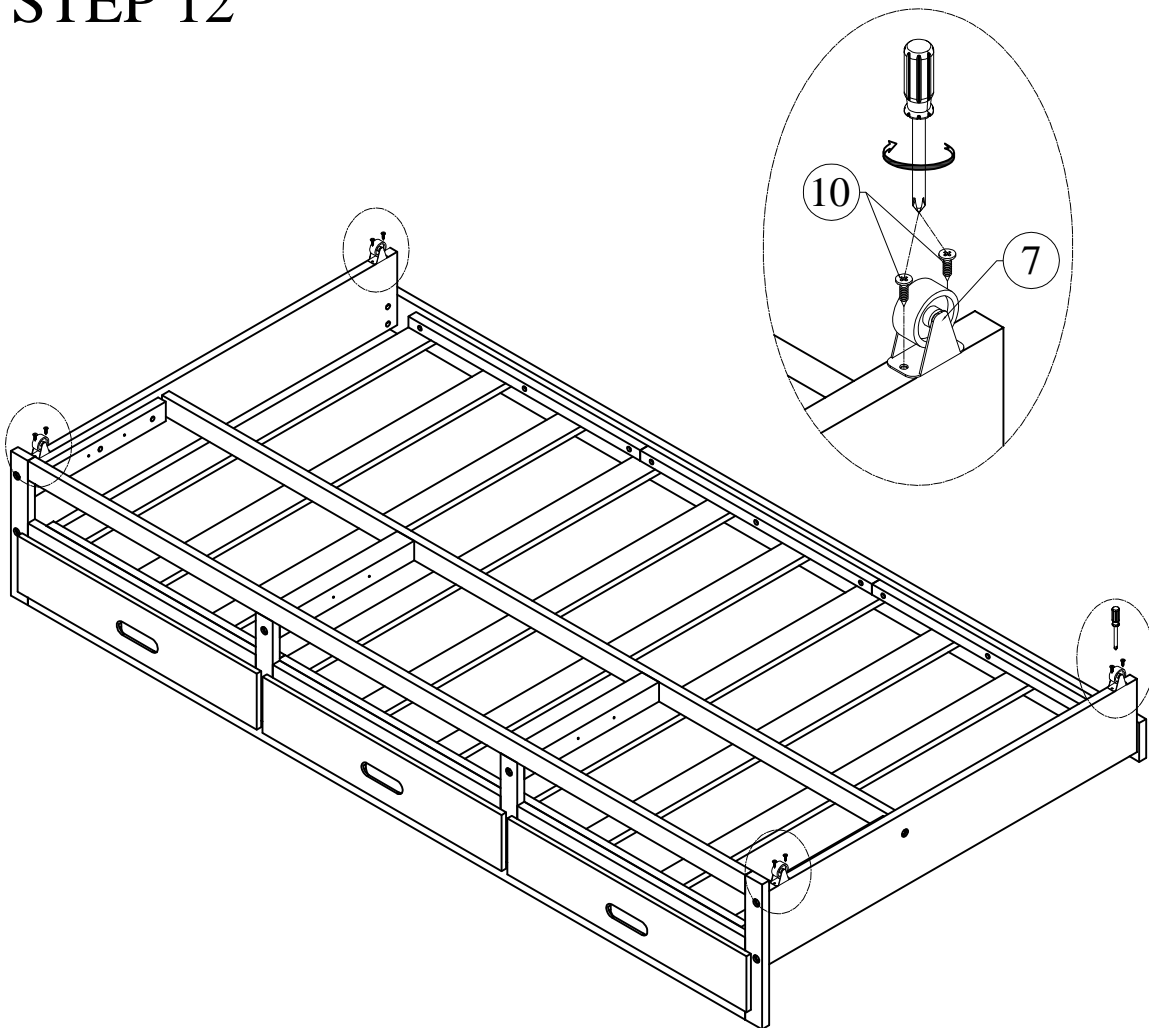


Wheel - 4pcs

10



Wood crews  
M3.5 \* 15 - 8pcs

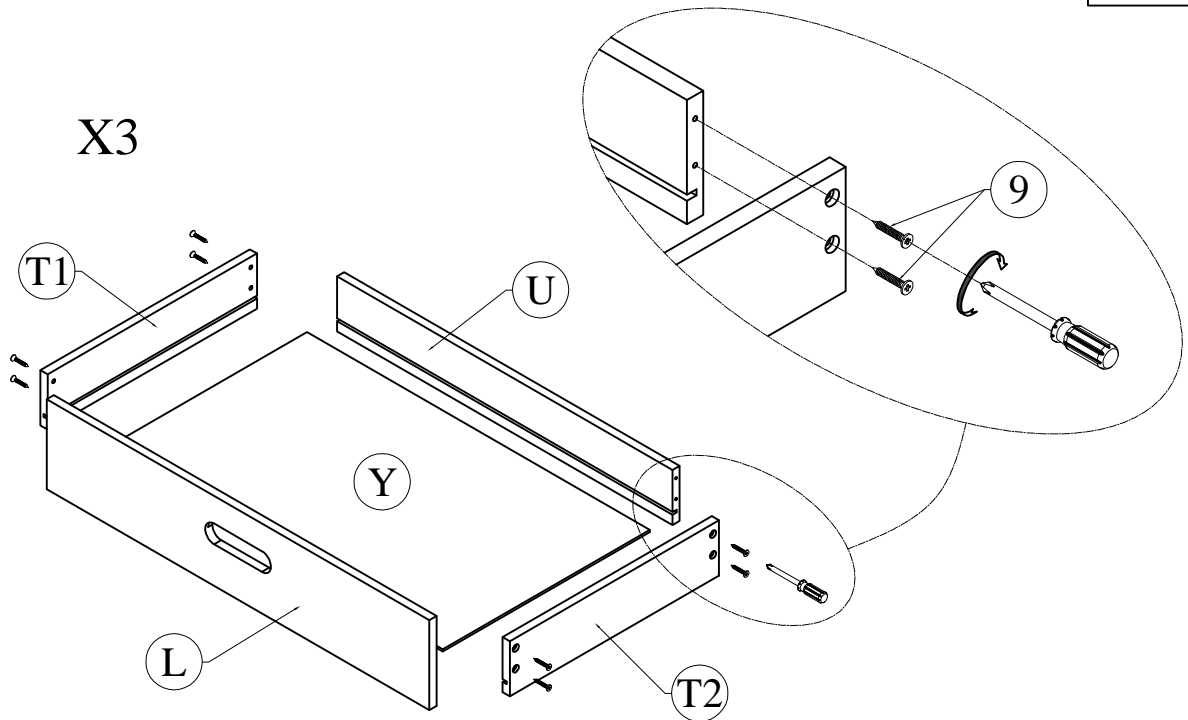


# STEP 13

9



Wood crews  
M4 \* 25 - 24pcs



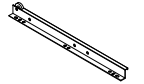
# STEP 14

10

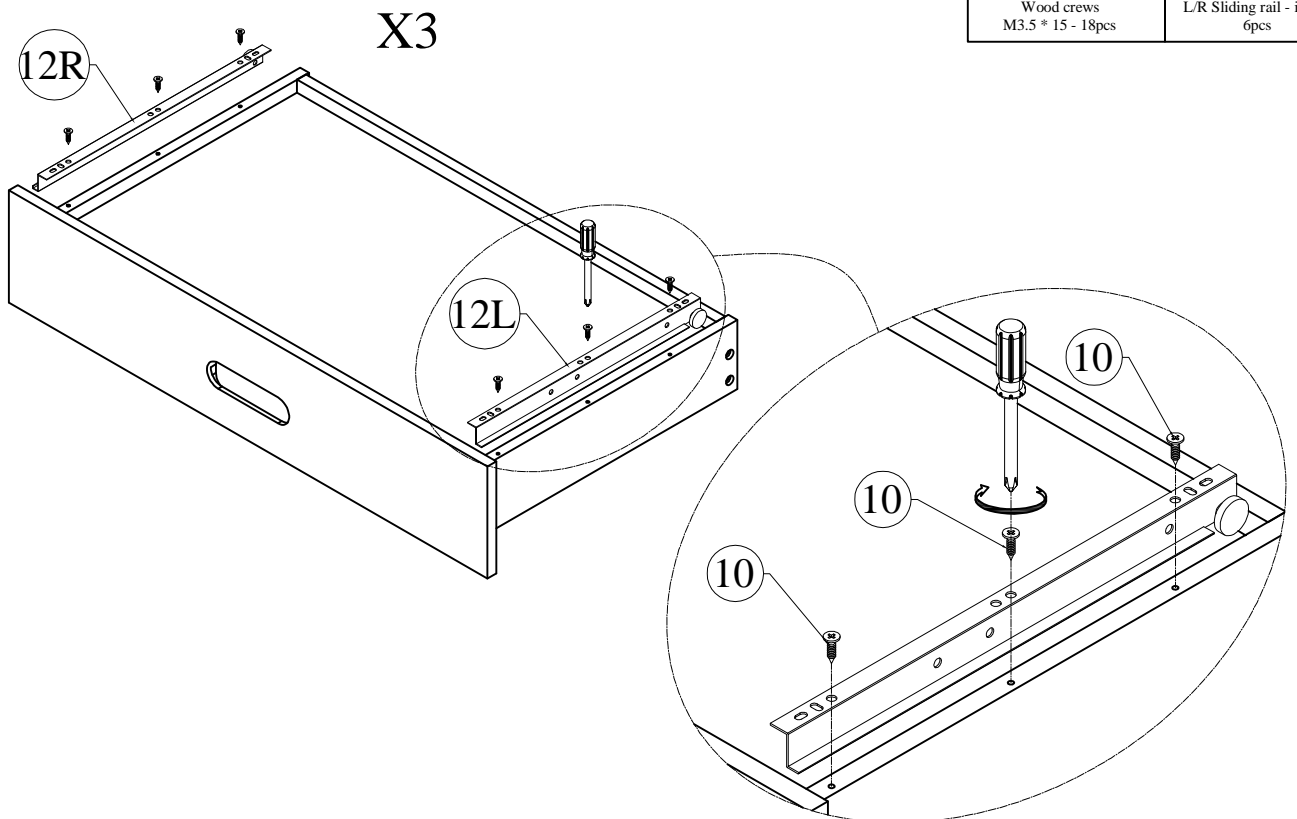


Wood crews  
M3.5 \* 15 - 18pcs

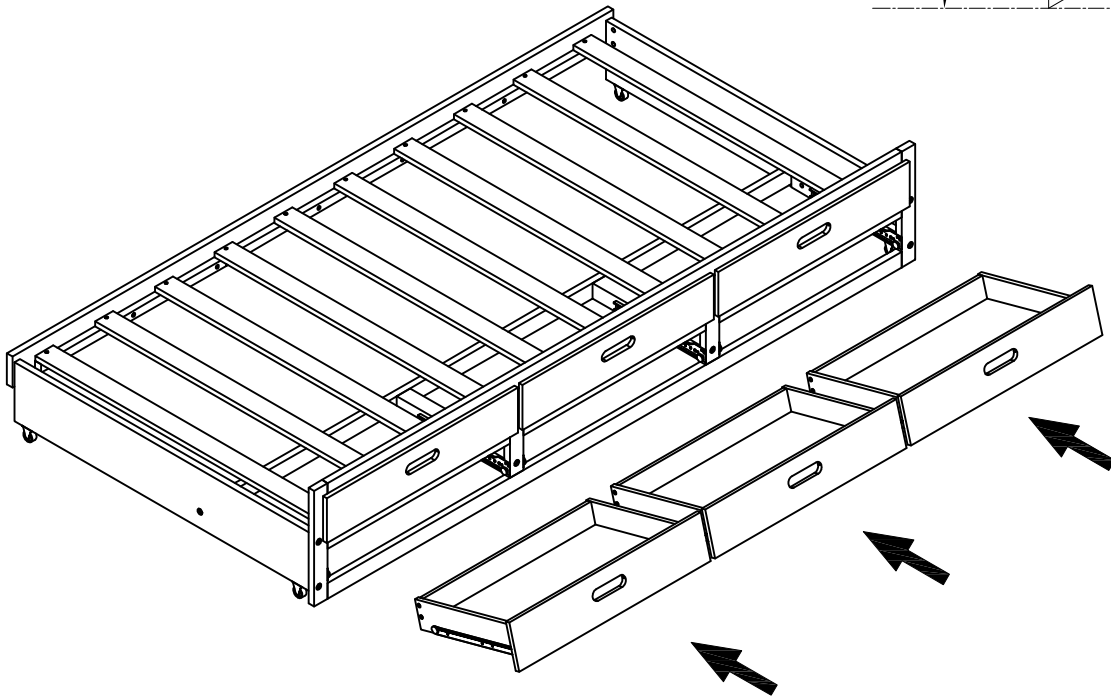
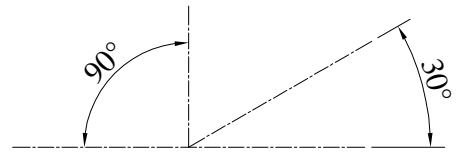
12L/R



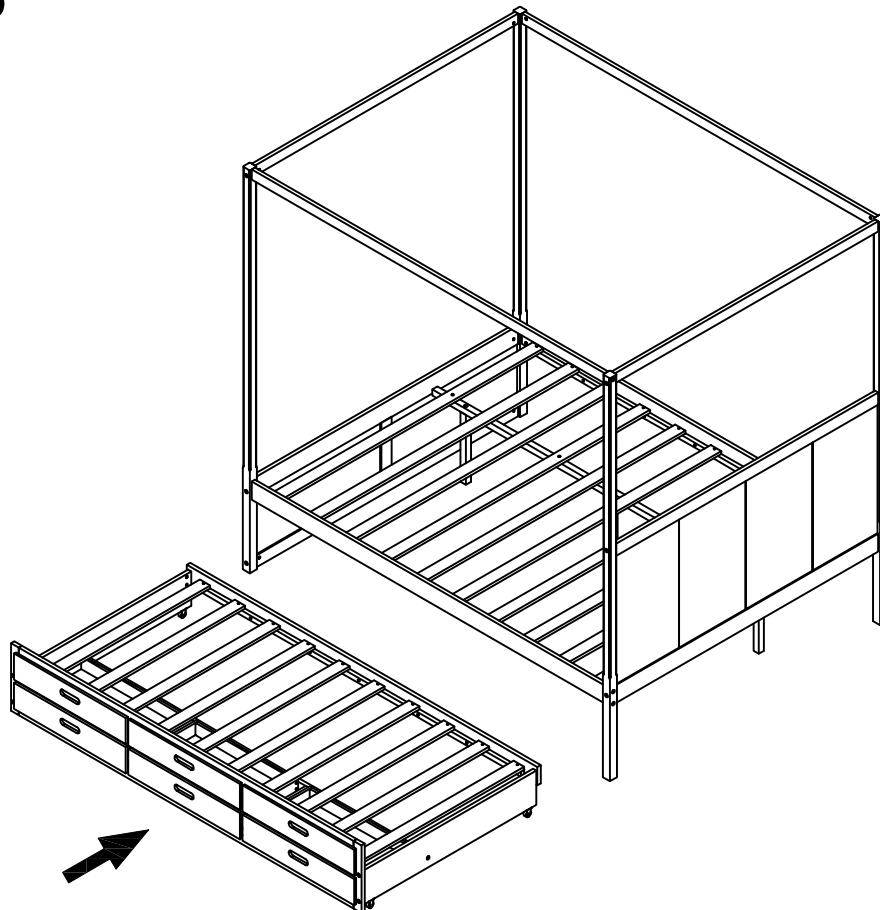
L/R Sliding rail - inside  
6pcs



# STEP 15



# STEP 16



# COMPLETED

