

BATHLYN

# **Installation Manual**

# BATHLYN

<b>1. Tools &amp; Parts List</b>	<b>01</b>
<b>2. Installation Instructions</b>	<b>03</b>
<b>3. Adjustment of Drawer</b>	<b>10</b>
<b>4. Take off Drawer</b>	<b>11</b>

## Tools List & Requirement

### Floating Vanity Pre-Installation Requirement

2x6 wood stud wall blocking should be installed 9" to 15" height above the finished floor

2x6 wood stud wall blocking should be installed 30" - 36" height above the finished floor

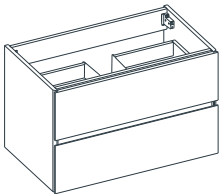
Width of the Vanity or longer

★ The installer is responsible to verify this with the actual field condition

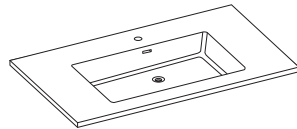
## Parts List

### Fixed System1

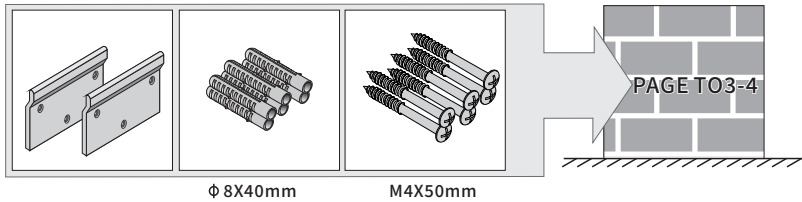
#### Cabinets



#### Basin



#### Fixed Accessories

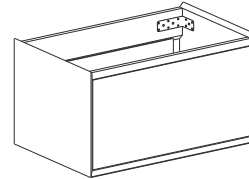


01

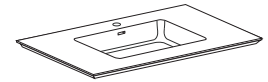
## Parts List

### Fixed System 2

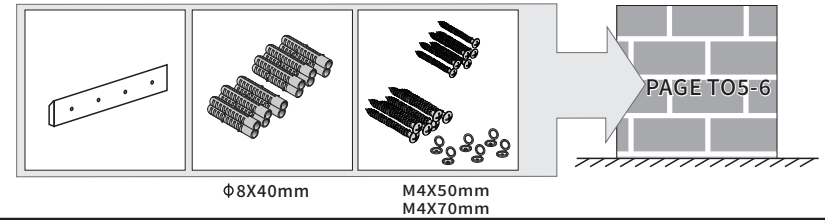
#### Cabinets



#### Basin

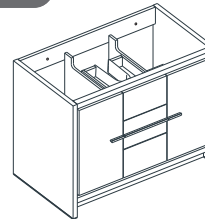


#### Fixed Accessories

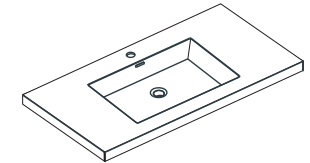


### Fixed System 3

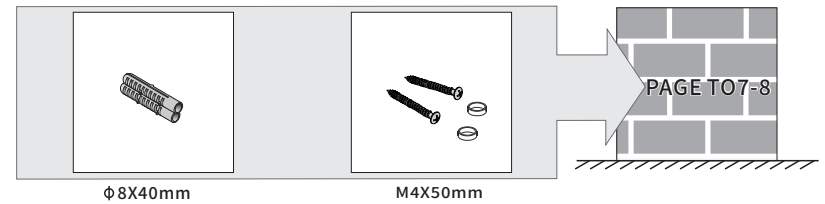
#### Cabinets



#### Basin



#### Fixed Accessories



02

# Installation Instructions

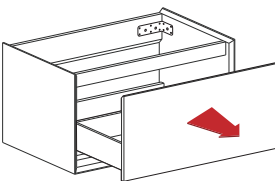
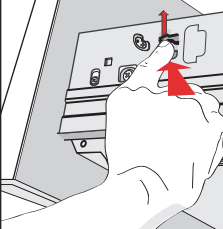
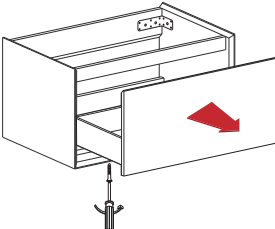
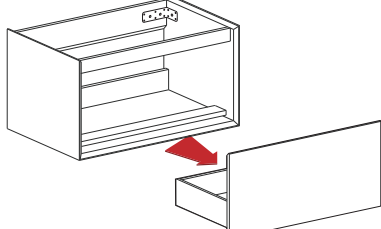
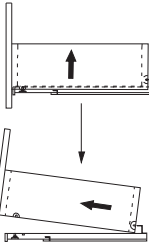
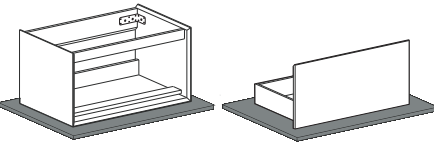
## Fixed System 1

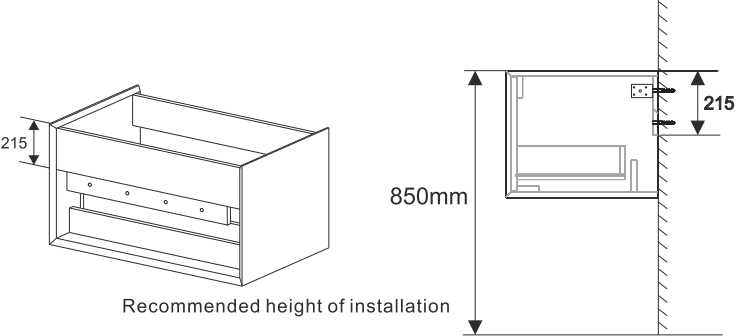
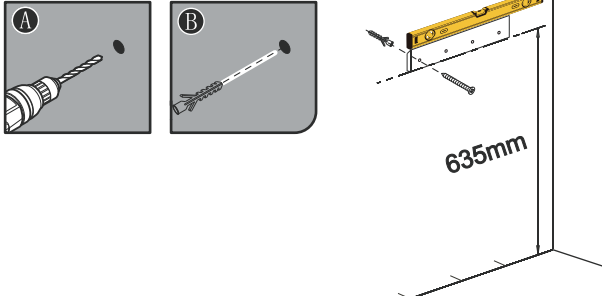
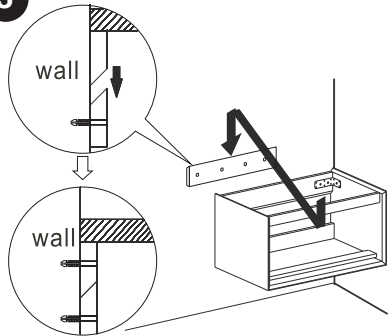
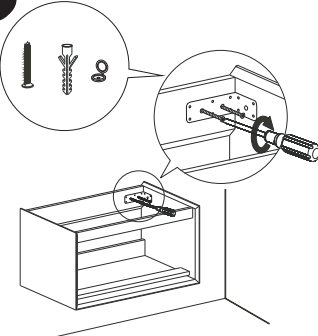
<p><b>1</b></p>	<p><b>2</b></p> <p>Metal Box</p>
<p><b>2</b></p> <p>Wooden Drawer</p>	<p><b>3</b></p> <p>Metal Box</p>
<p><b>3</b></p> <p>Wooden Drawer</p>	<p><b>4</b></p>

<p><b>5</b></p> <p>2mm 2mm</p> <p>850mm</p>	
<p><b>6</b></p>	<p><b>7</b></p>
<p><b>8</b></p> <p>✓</p> <p>✗</p>	<p><b>9</b></p> <p>850mm</p>

# Installation Instructions

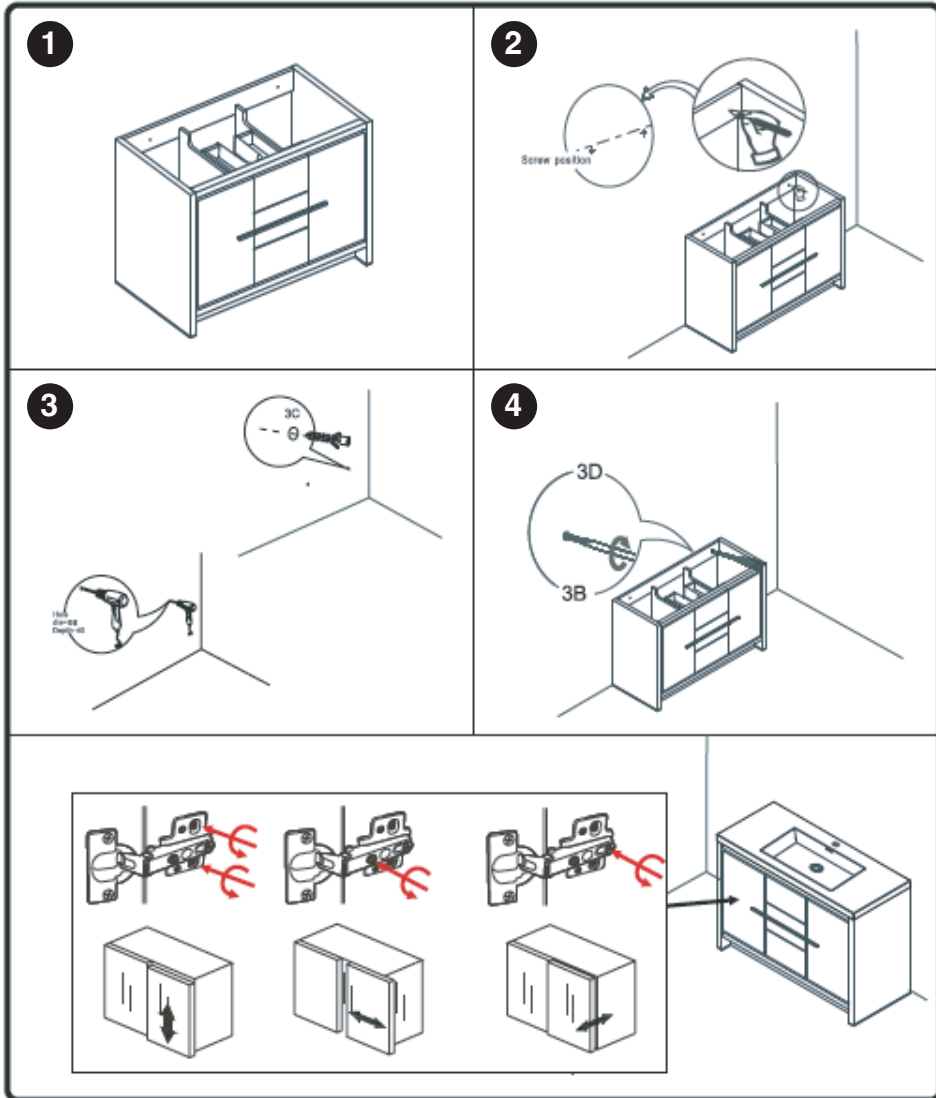
## Fixed System 2

<p><b>1</b></p> 	<p><b>2</b></p>  <p><b>Metal Box</b></p>
<p><b>2</b></p> 	<p><b>3</b></p>  <p><b>Metal Box</b></p>
<p><b>3</b></p>  <p><b>Wooden Drawer</b></p>	<p><b>4</b></p> 

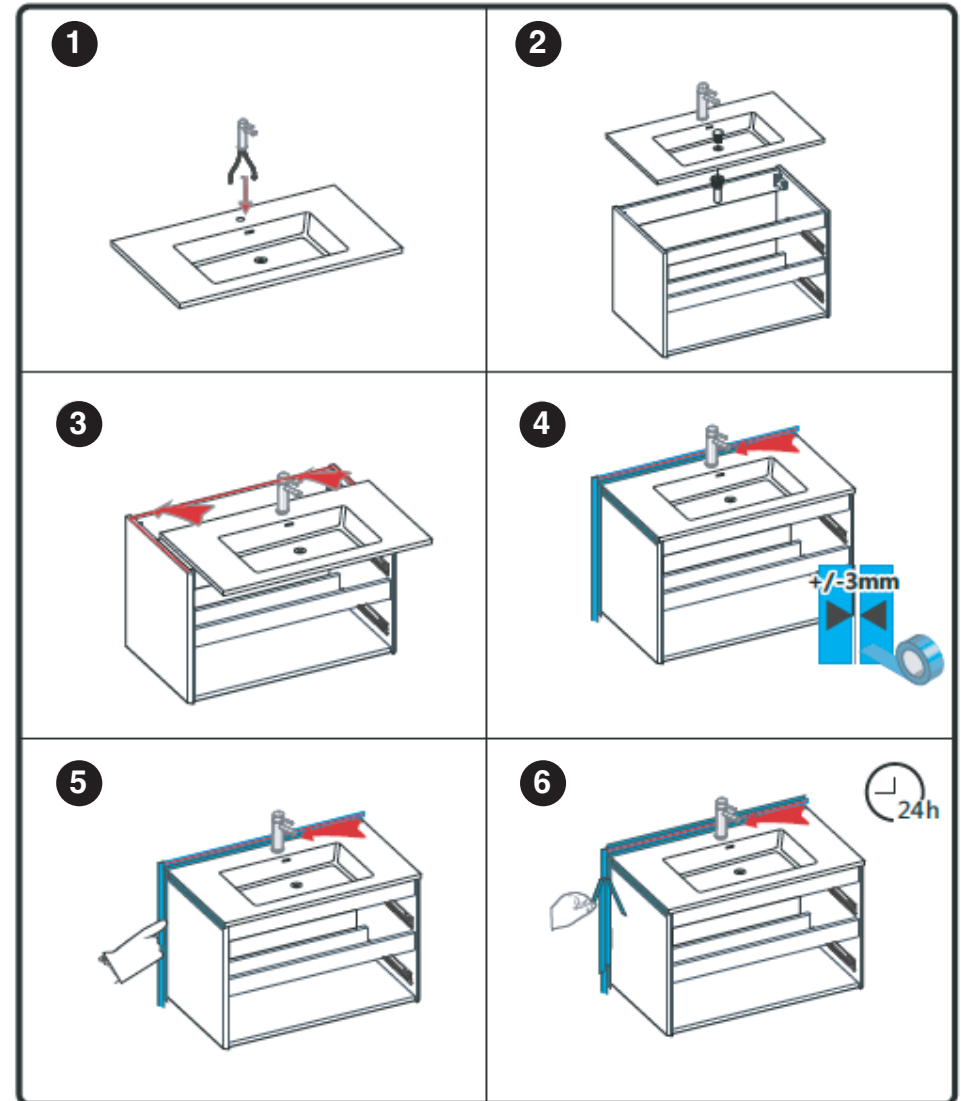
<p><b>1</b></p>  <p>215</p> <p>850mm</p> <p>Recommended height of installation</p>	
<p><b>2</b></p>  <p>A</p> <p>B</p> <p>635mm</p>	
<p><b>3</b></p>  <p>wall</p> <p>wall</p>	<p><b>4</b></p> 

# Installation Instructions

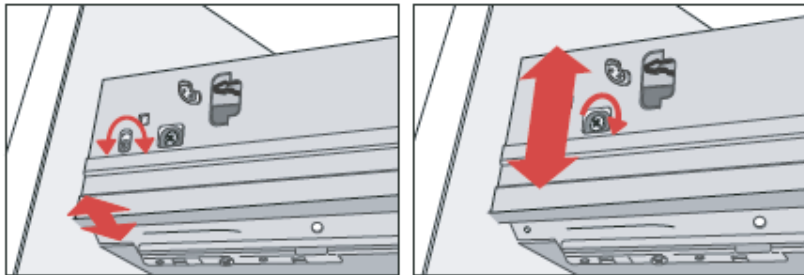
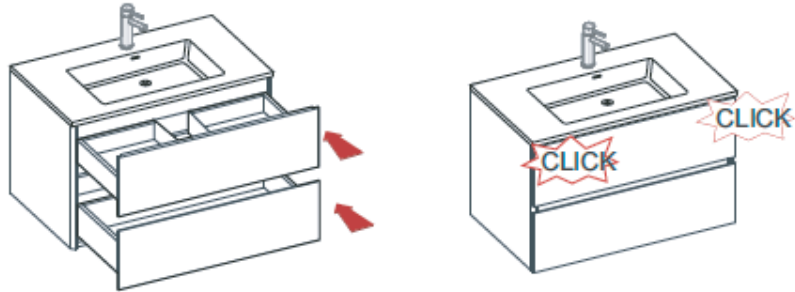
## Fixed System 3



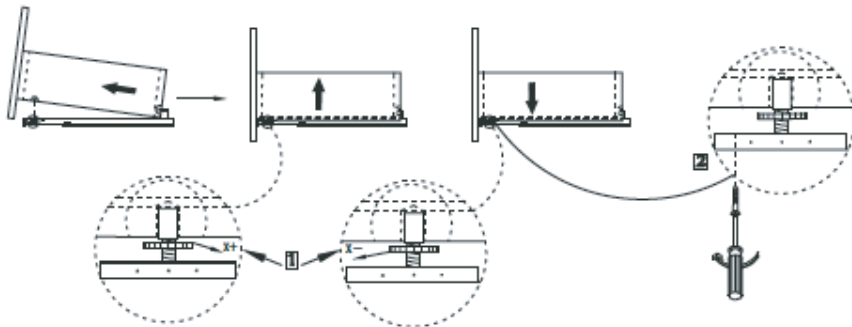
# Installation Instructions



## Installation & adjustment of drawer

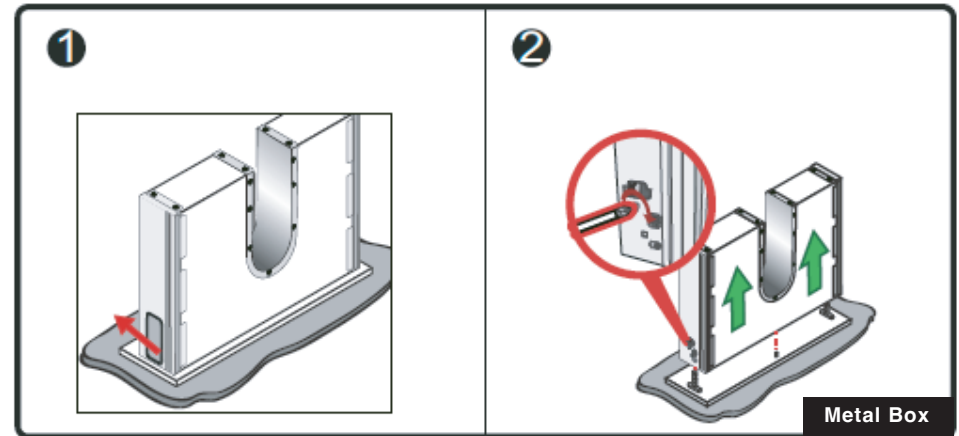


Metal Box

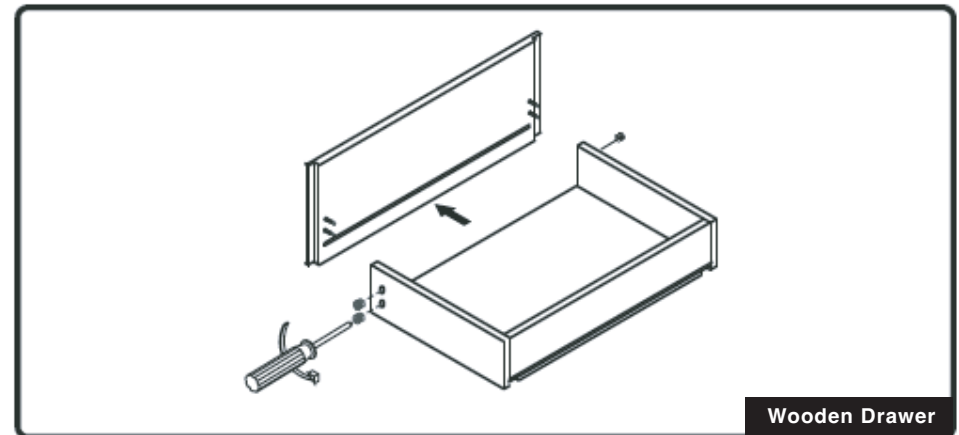


Wooden Drawer

## The way to take off the drawer



Metal Box



Wooden Drawer