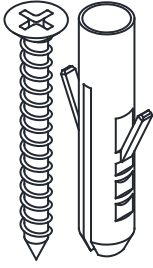
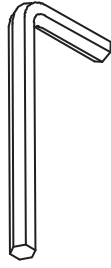


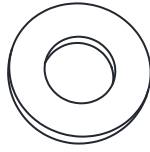
A
x8



B
x1



C
x1



D
x8



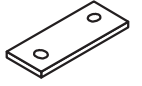
E
x41



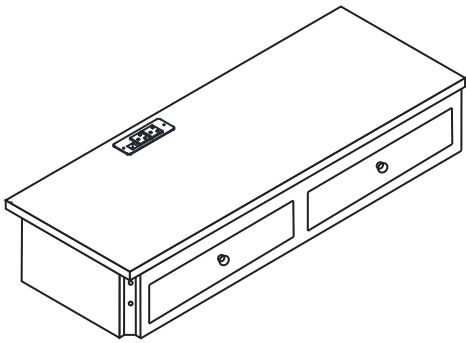
F
x4



G
x5



H
x2



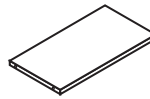
1

x1



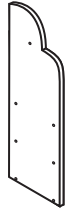
2

x4



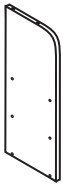
3

x6



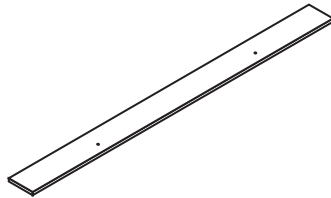
4

x2



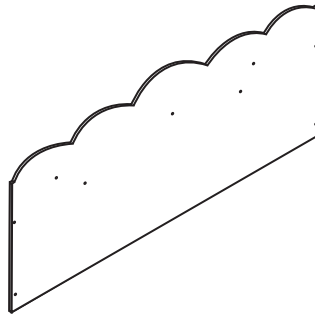
5

x2



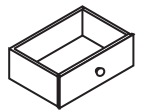
6

x1



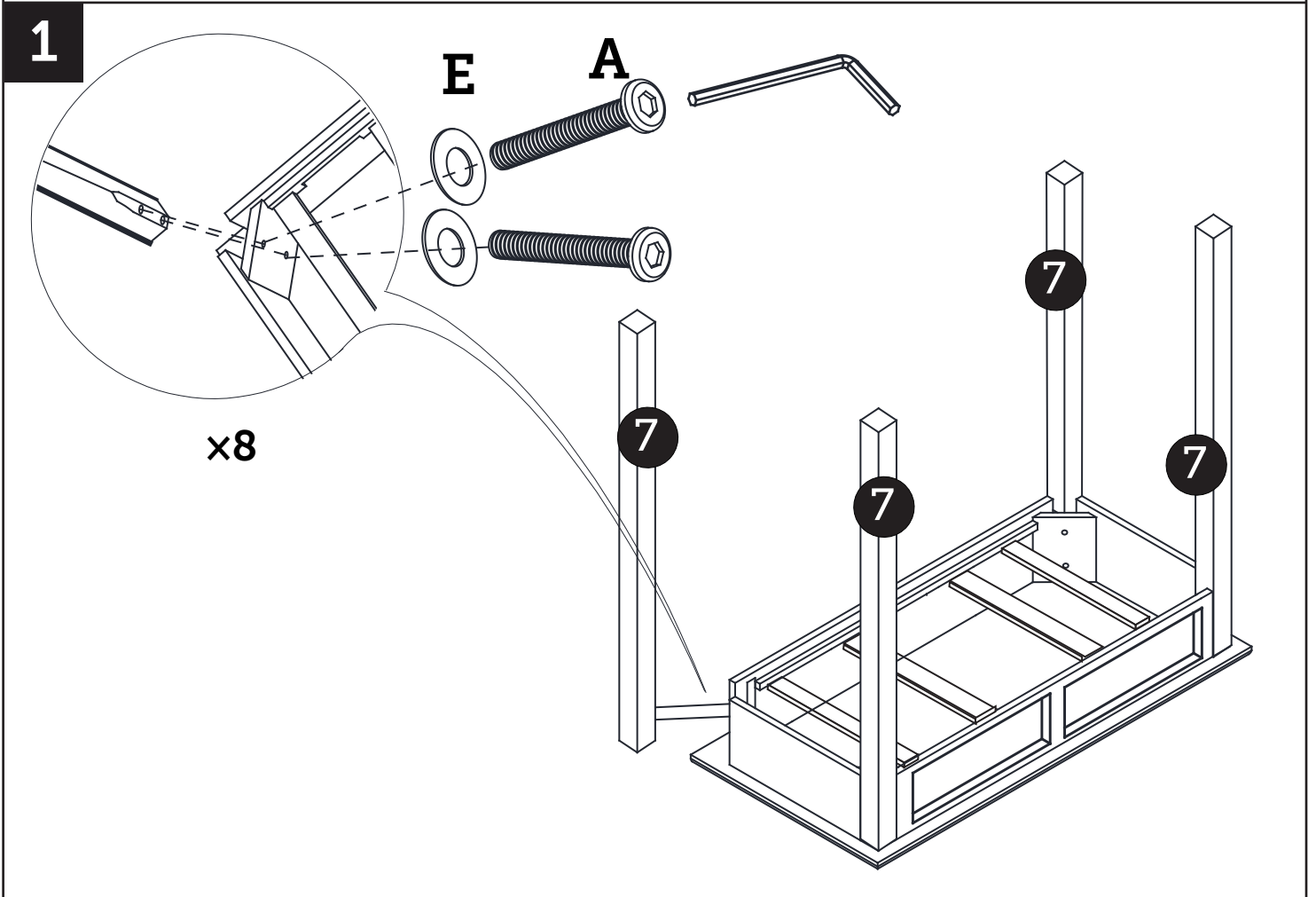
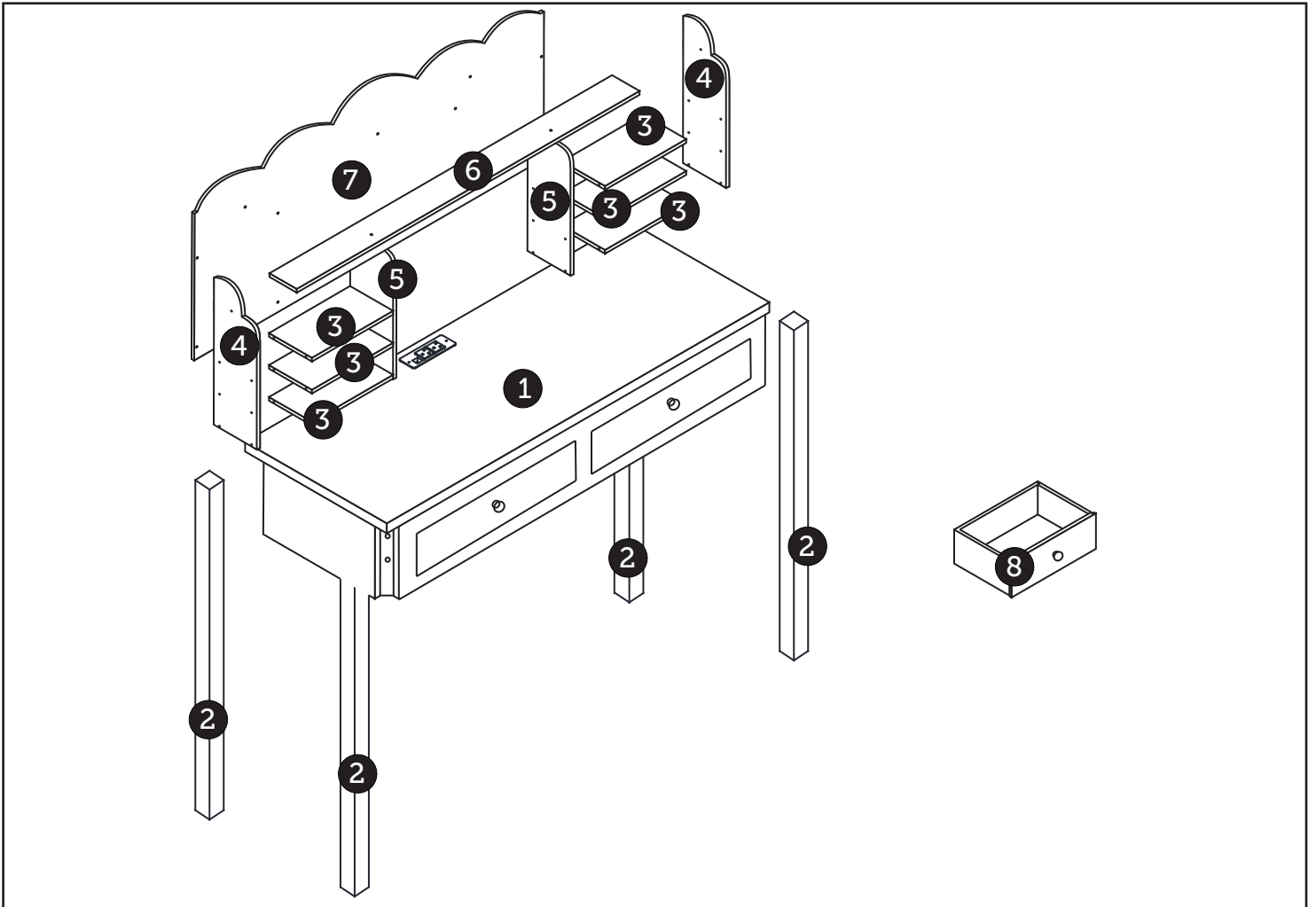
7

x1

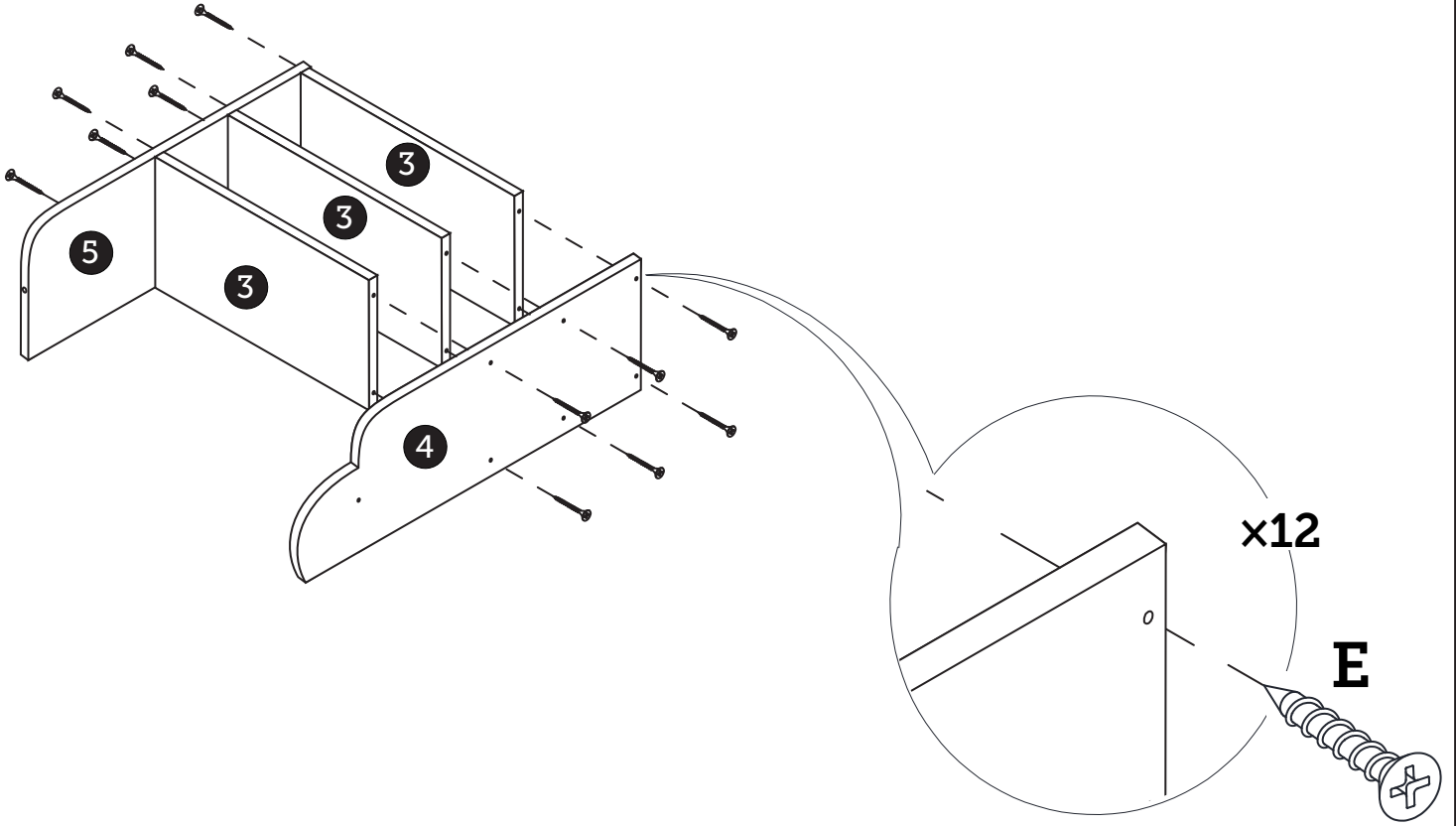


8

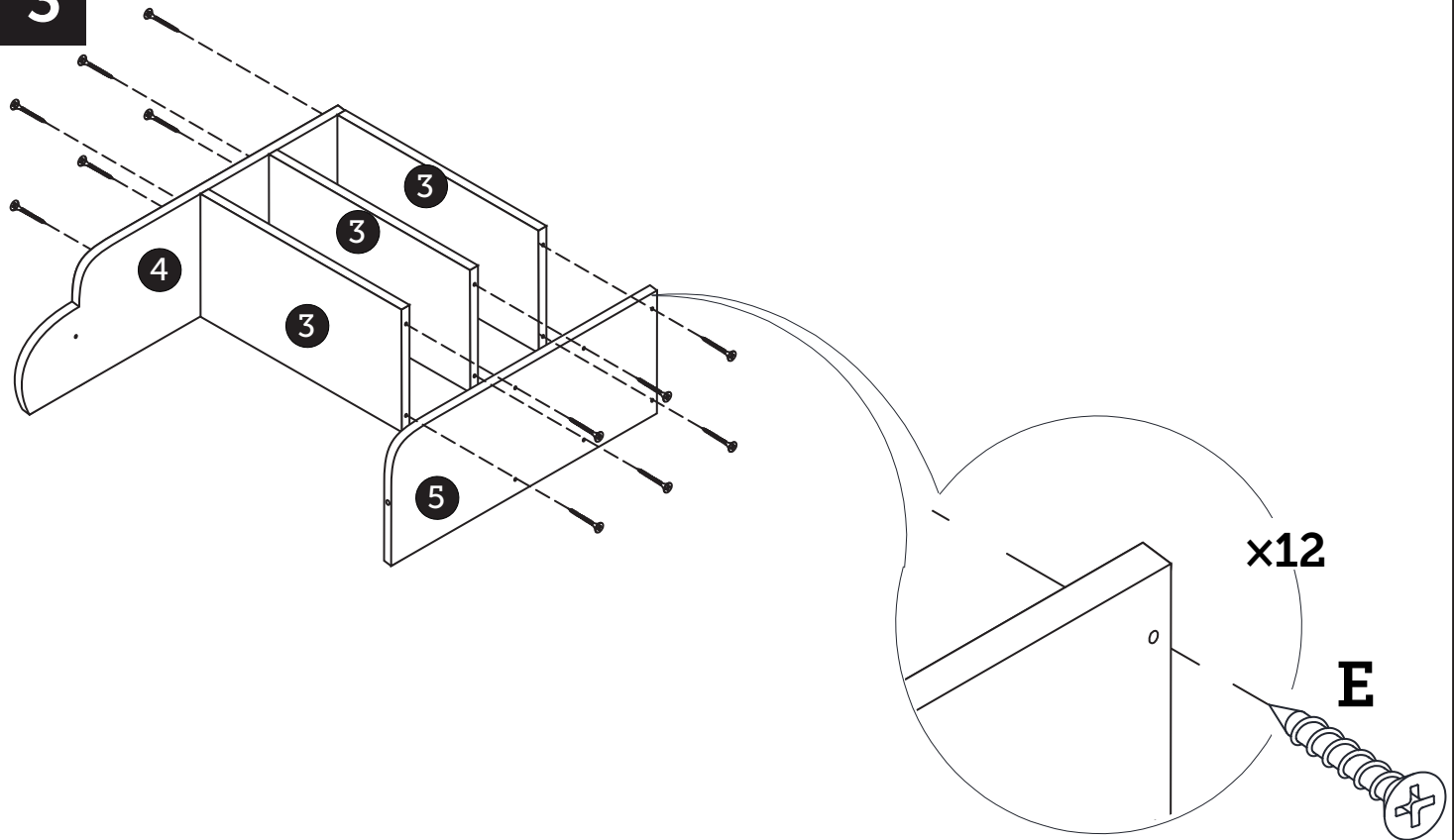
x4



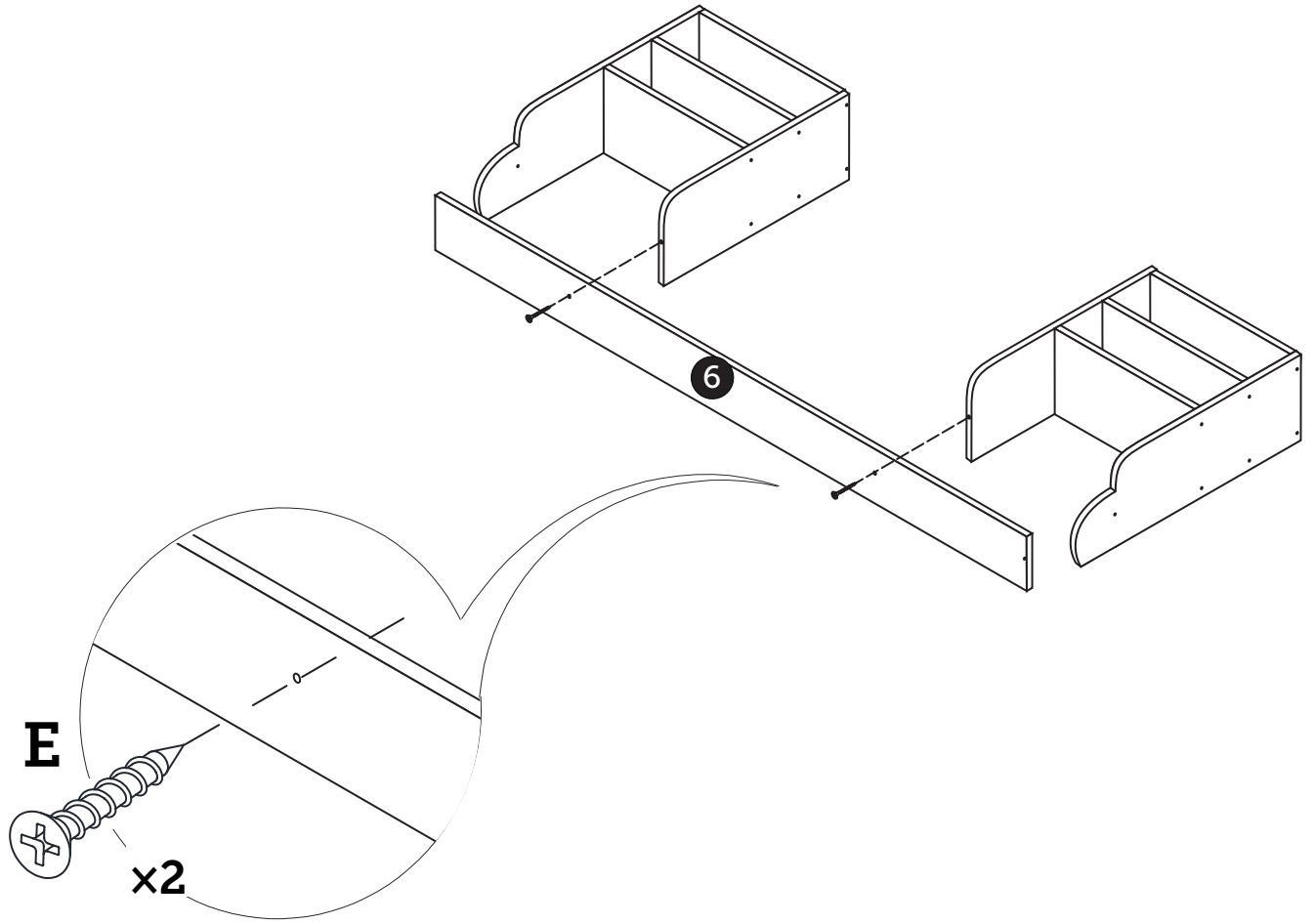
2



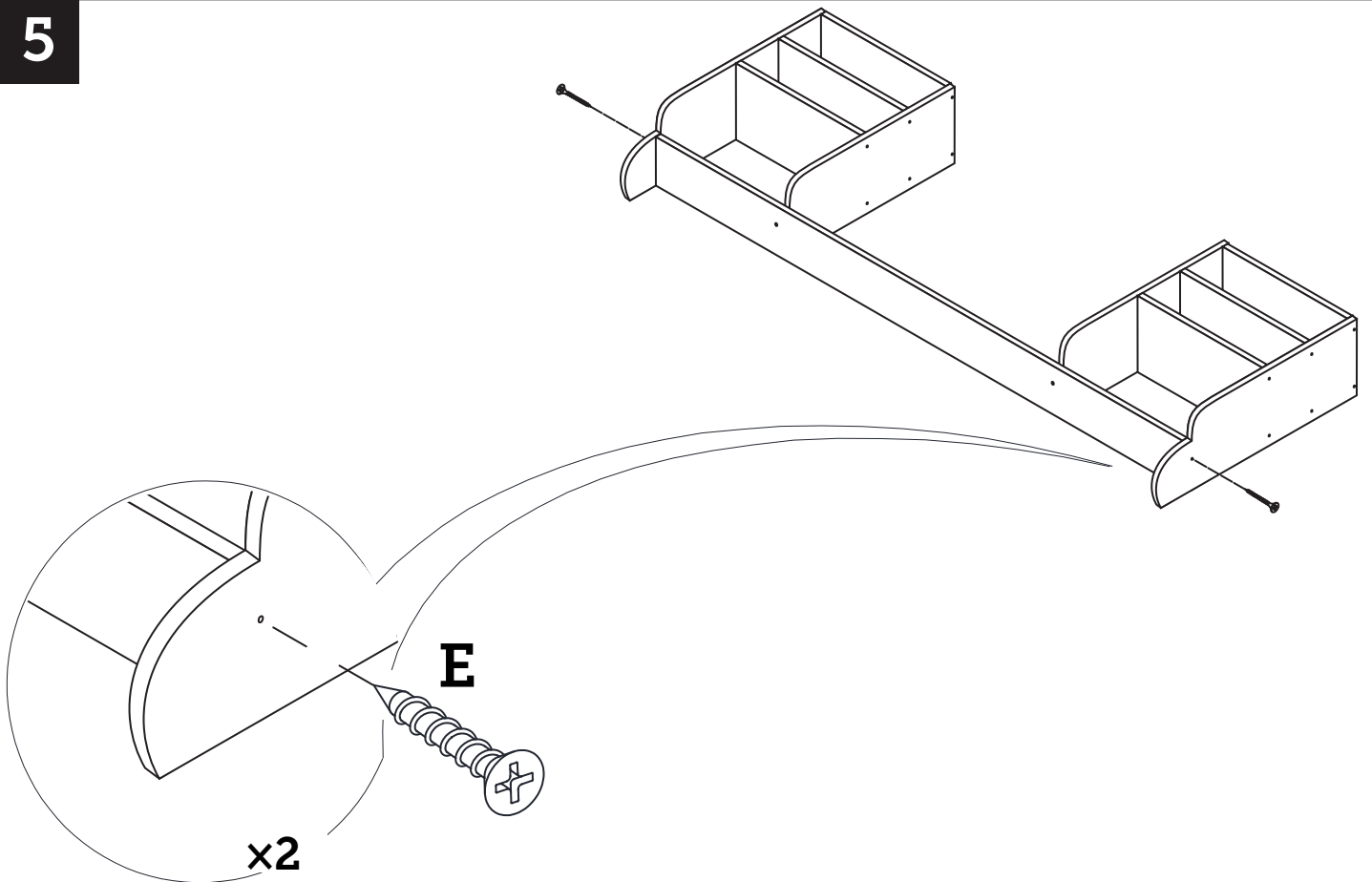
3



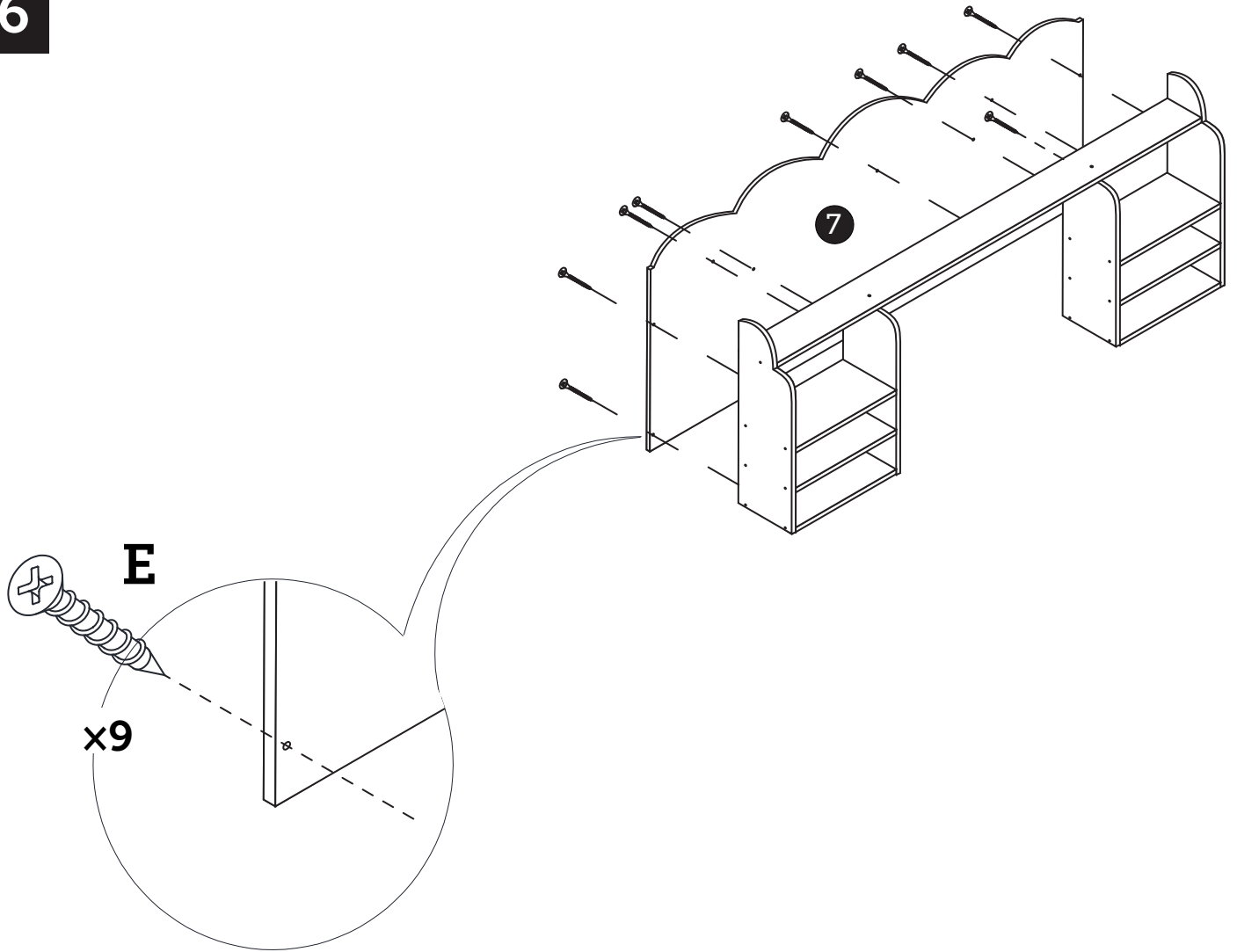
4



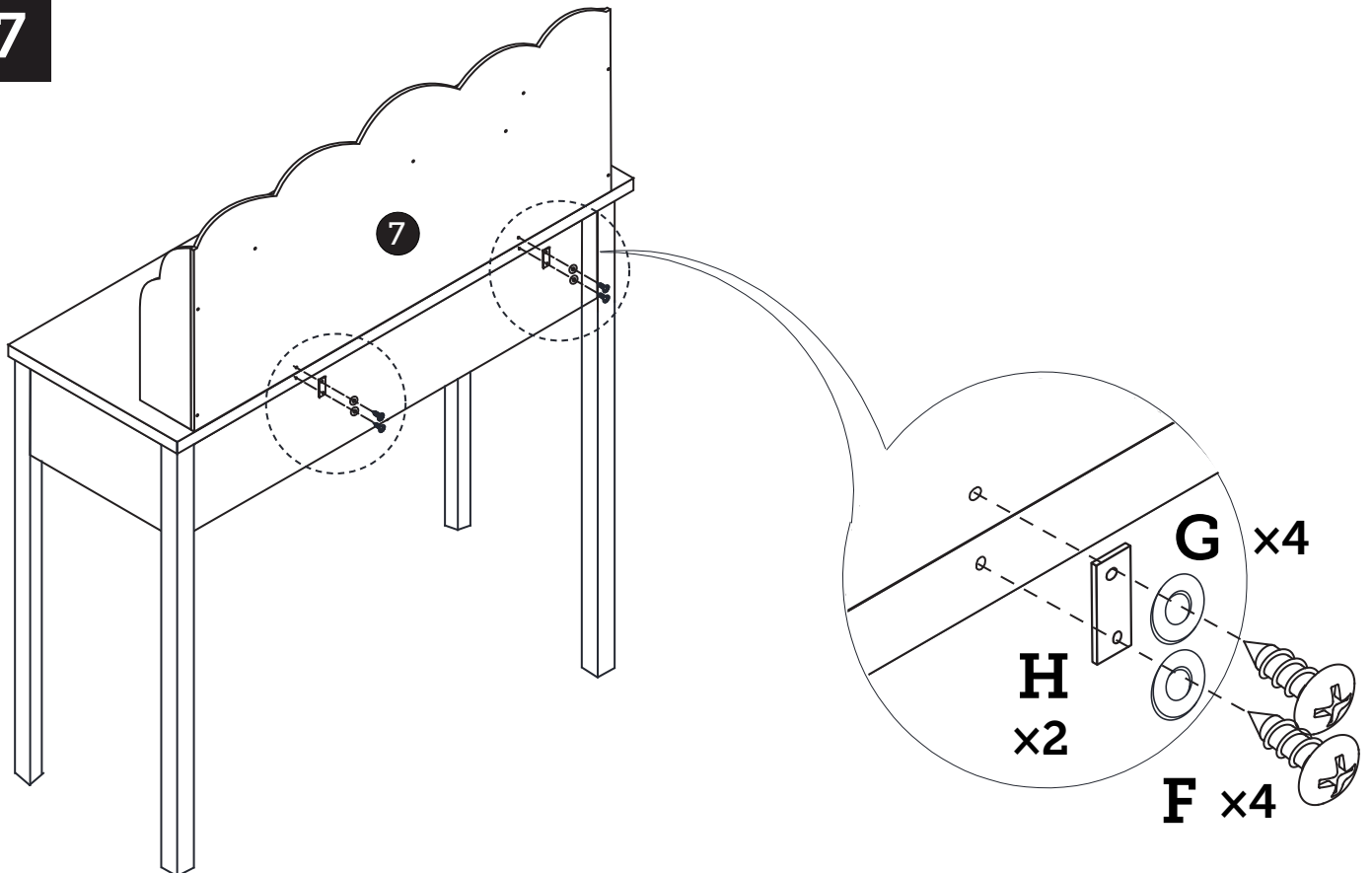
5



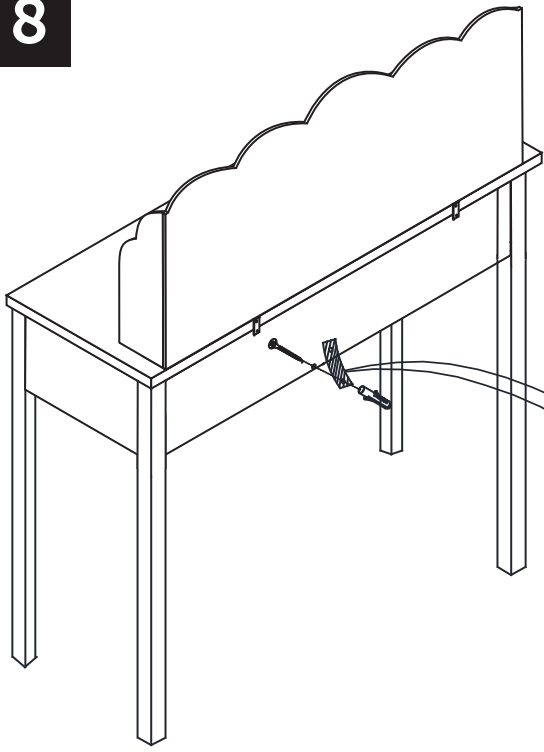
6



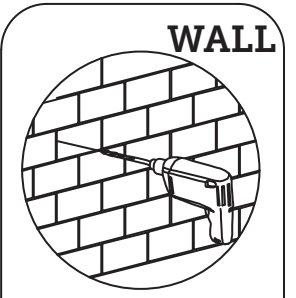
7



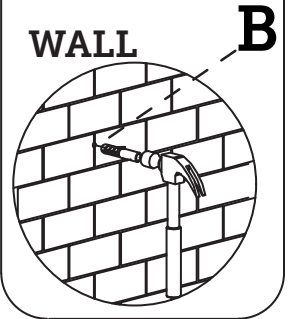
8



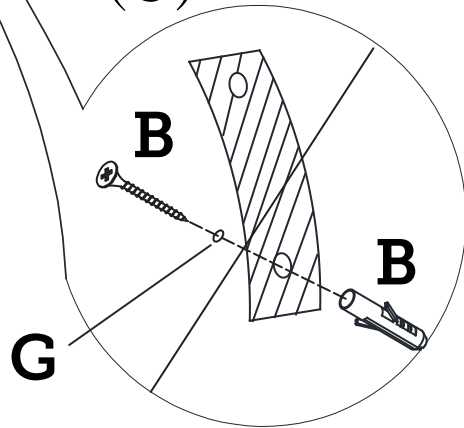
(1)



(2)



(3)



9

