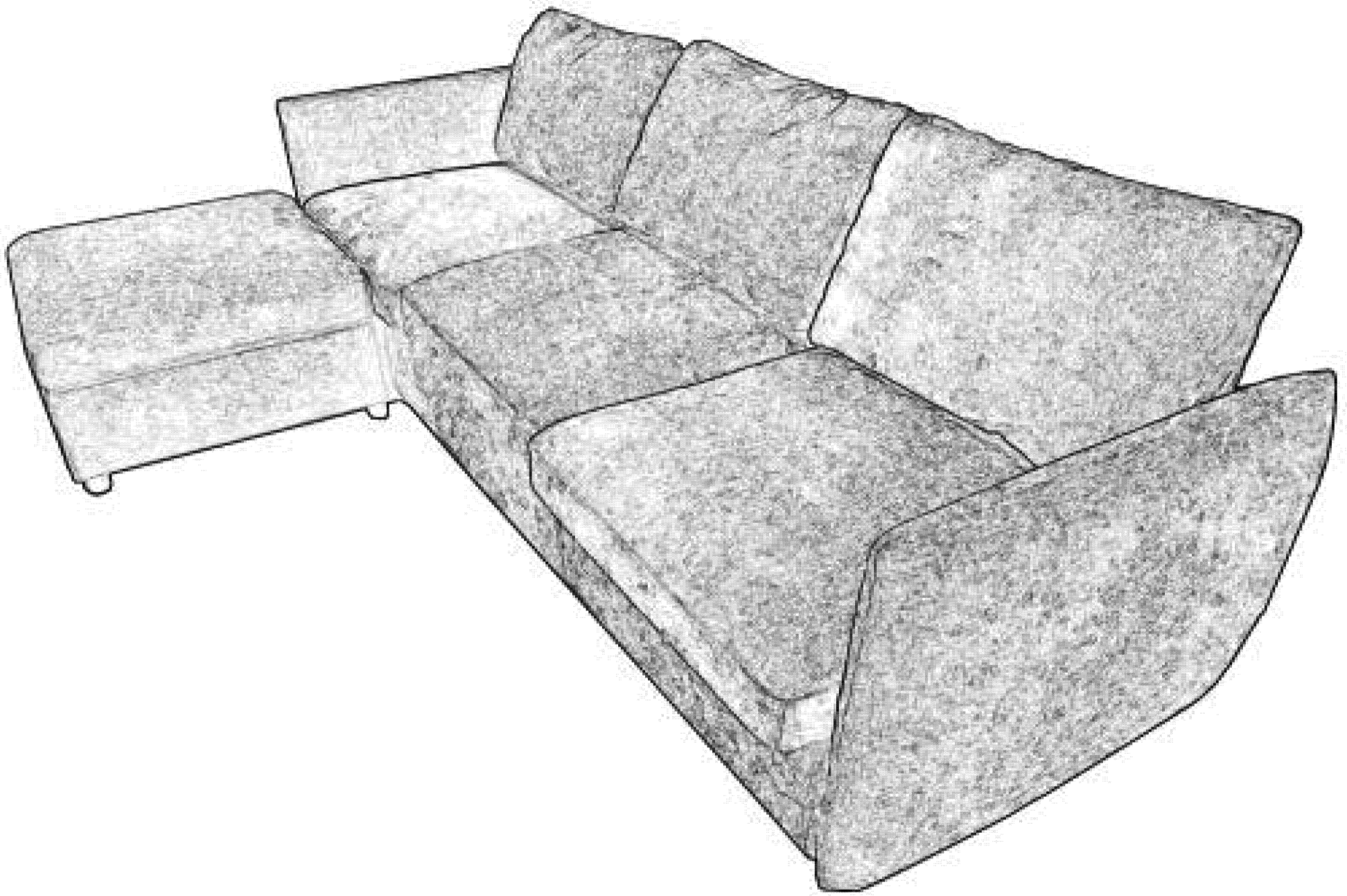


Product care

a guide to protect your product

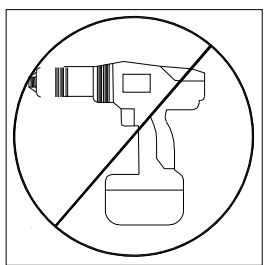


Thank you for purchasing this product. Please read these instructions fully before starting assembly, then follow the simple step by step guide.

TOP TIPS BEFORE YOU START!

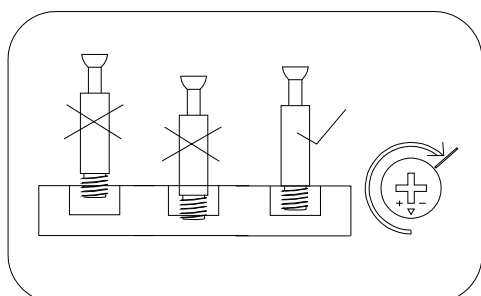
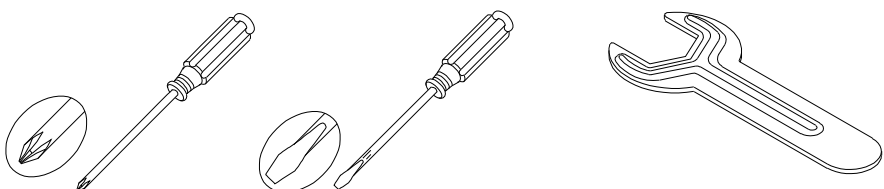
1. Please check that all parts & hardware are present before you start the assembly of your furniture. Do not destroy any of the packaging until you are certain that you have all the necessary parts for assembly.
2. To ensure a smooth installation, we recommend that before you commence each step of the assembly, please identify all the parts required for that step.
3. We recommend that where possible, all items are assembled near to the area in which they will be placed in use, to avoid moving the product unnecessarily once assembled.
4. For the protection of your furniture, particularly items of high gloss finish, we recommend that the product is placed on a protected surface during assembly to prevent any damage.
5. During assembly, please take care not to over-tighten any fittings, as this may damage the product.
6. Keep children and animals away from the work area. Small parts could cause choking if swallowed.

Tools Required For Assembly

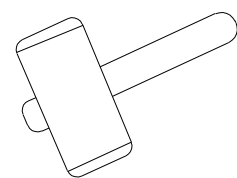


DO NOT USE POWER TOOLS TO ASSEMBLE THIS PRODUCT. USE OF POWER TOOLS WILL INVALIDATE ANY CLAIM AND MAY DAMAGE THIS PRODUCT.

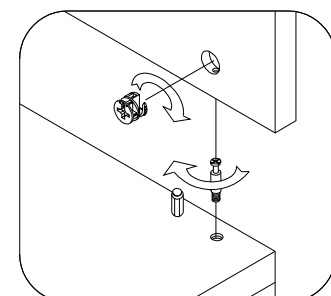
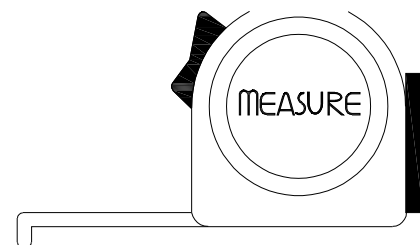
Self-provided universal tool diagram:

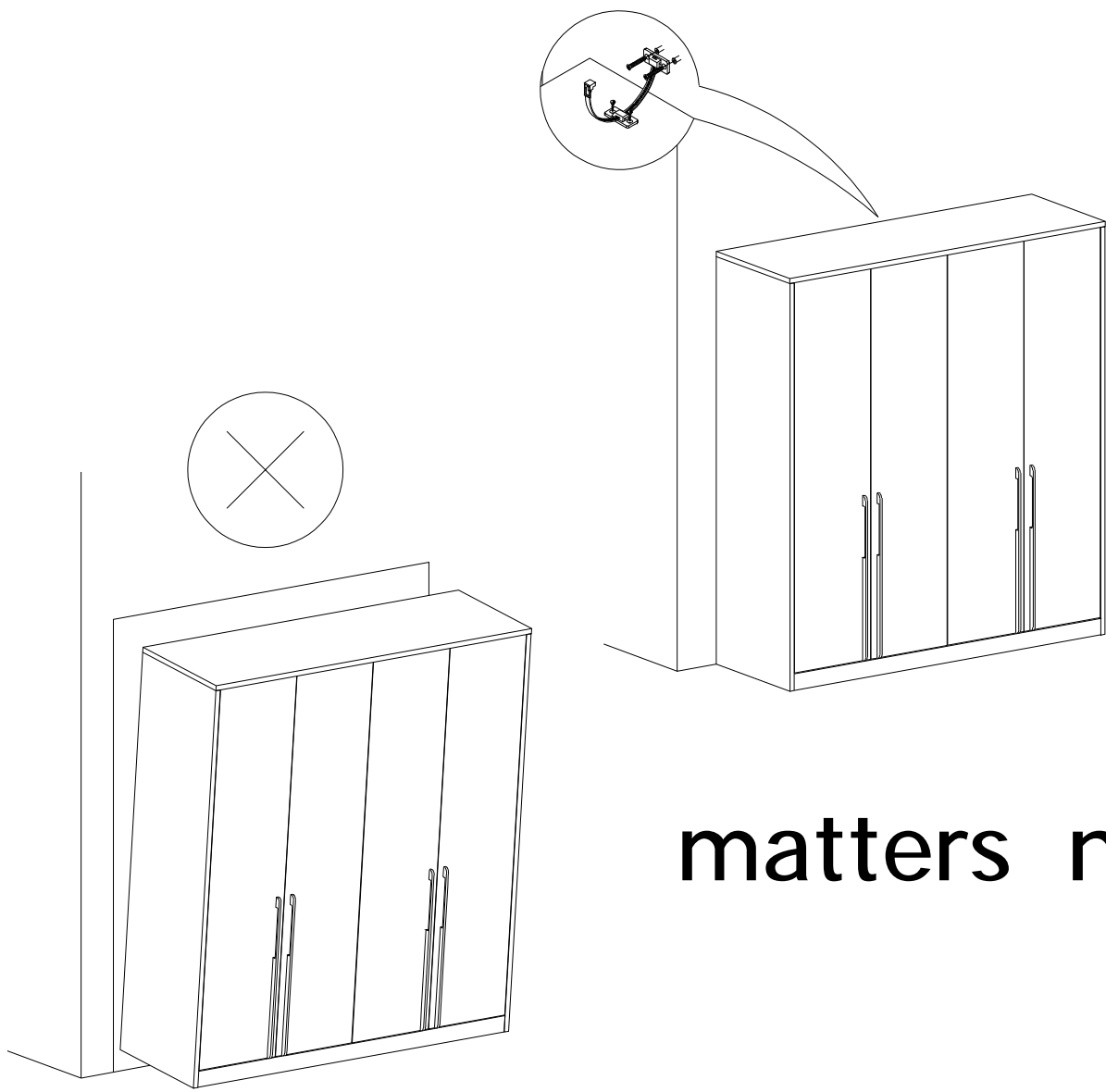


Rubber Hammer

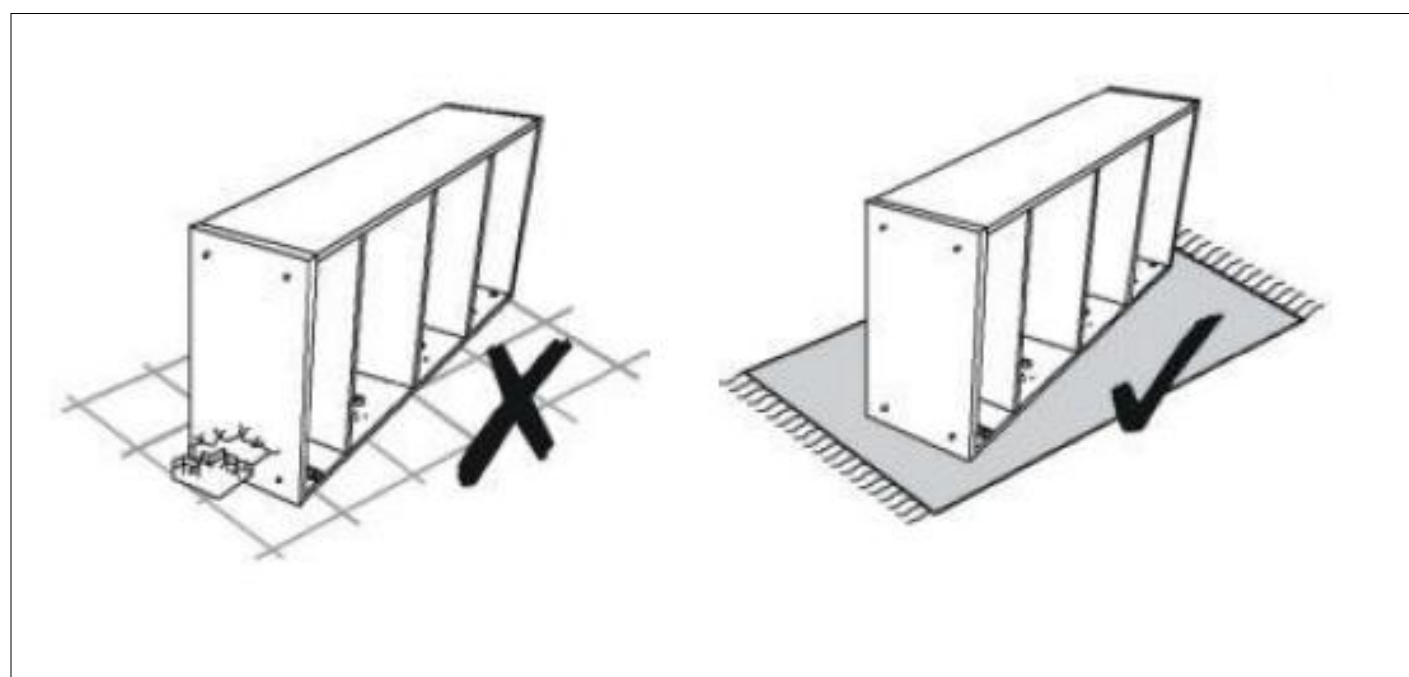
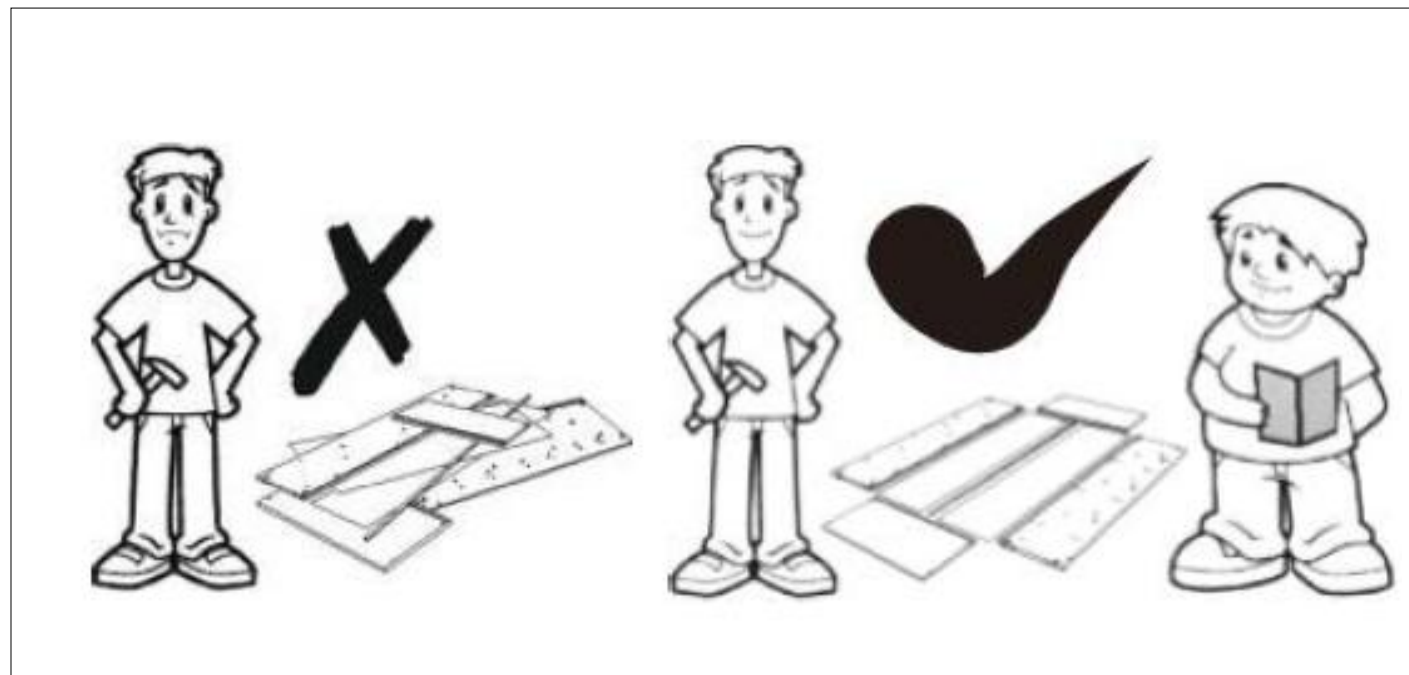


Tape Measure


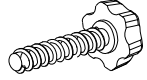
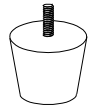





matters needing attention

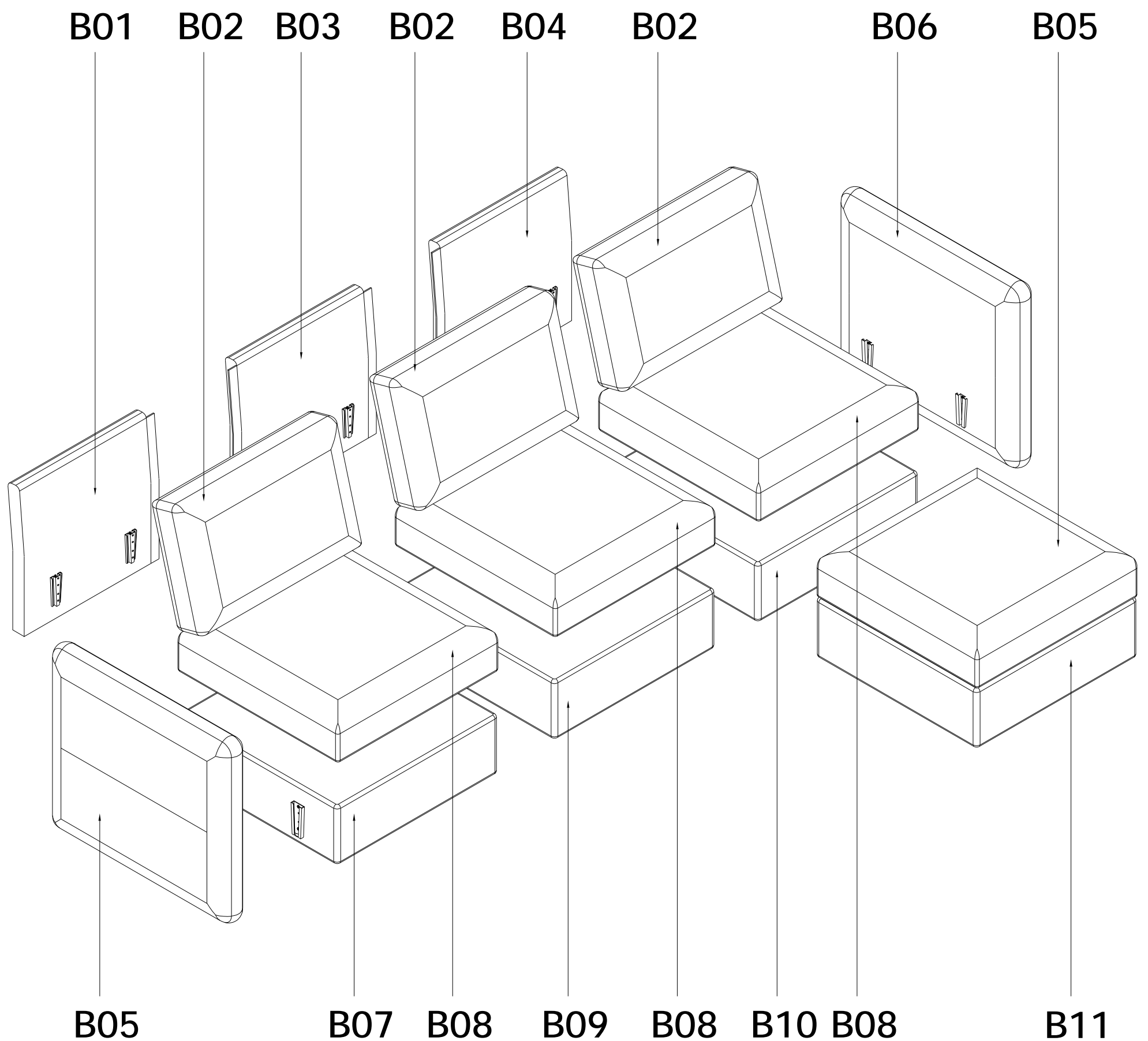


Assembly Hardware

HA0093(A)  Plum blossom handle nut 4PCS	HA0092(B)  Plum blossom handle screw 4PCS	H3121(C)  Cylindrical foot 24PCS	HZ0032(D)  Shim 24PCS
---	---	---	---

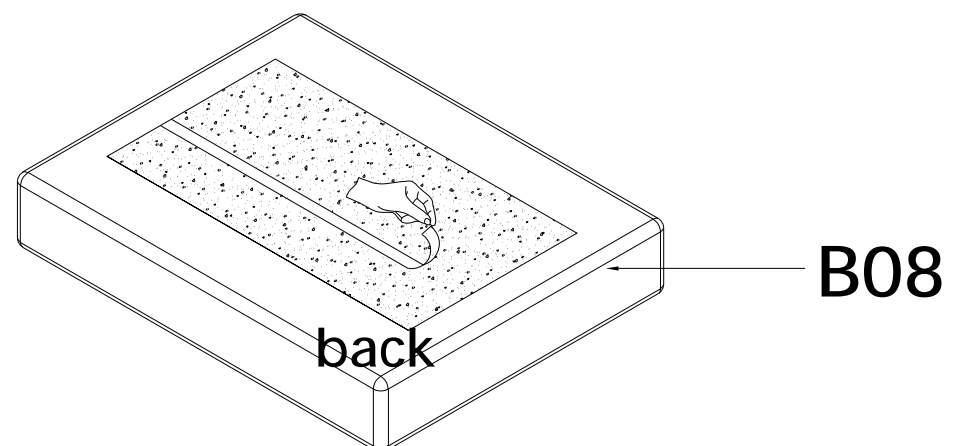
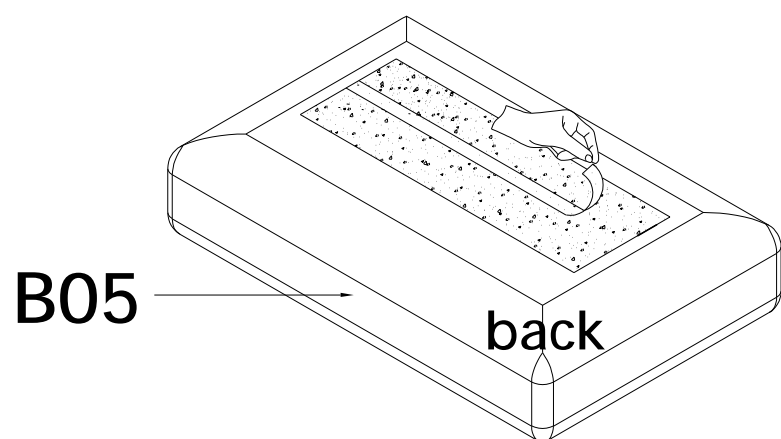
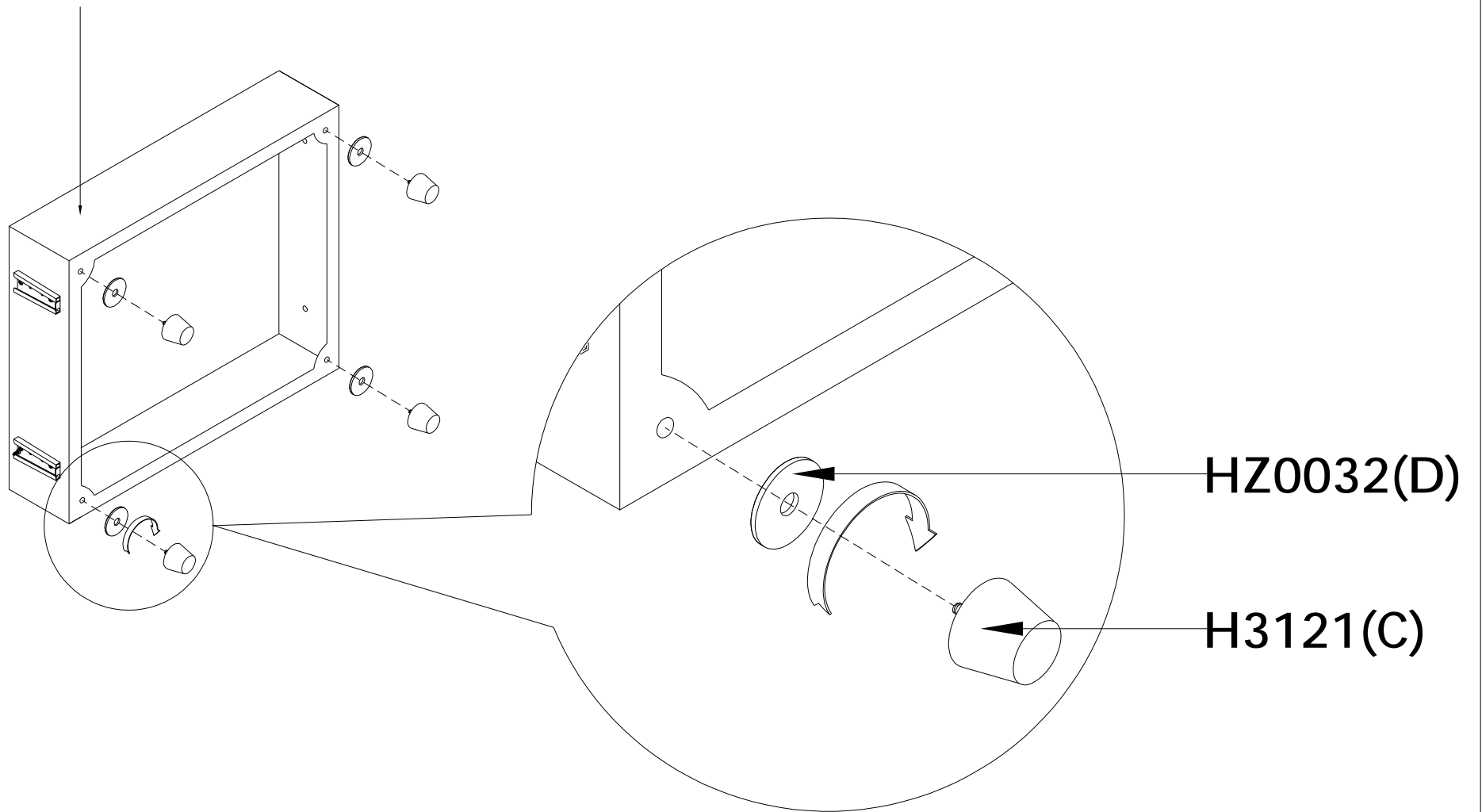
Assembly Parts

B01*1 Left Backrest	B04*1 Right Backrest	B07*1 Left Base Frame	B10*1 Right Base Frame
B02*3 Back Cushion	B05*1 Left Armrest	B08*3 Seat Cushions	B11*1 Ottoman
B03*1 Middle Backrest	B06*1 Right Armrest	B09*1 Middle Base Frame	



Assembly Steps

B07/B09/B10



Attention:

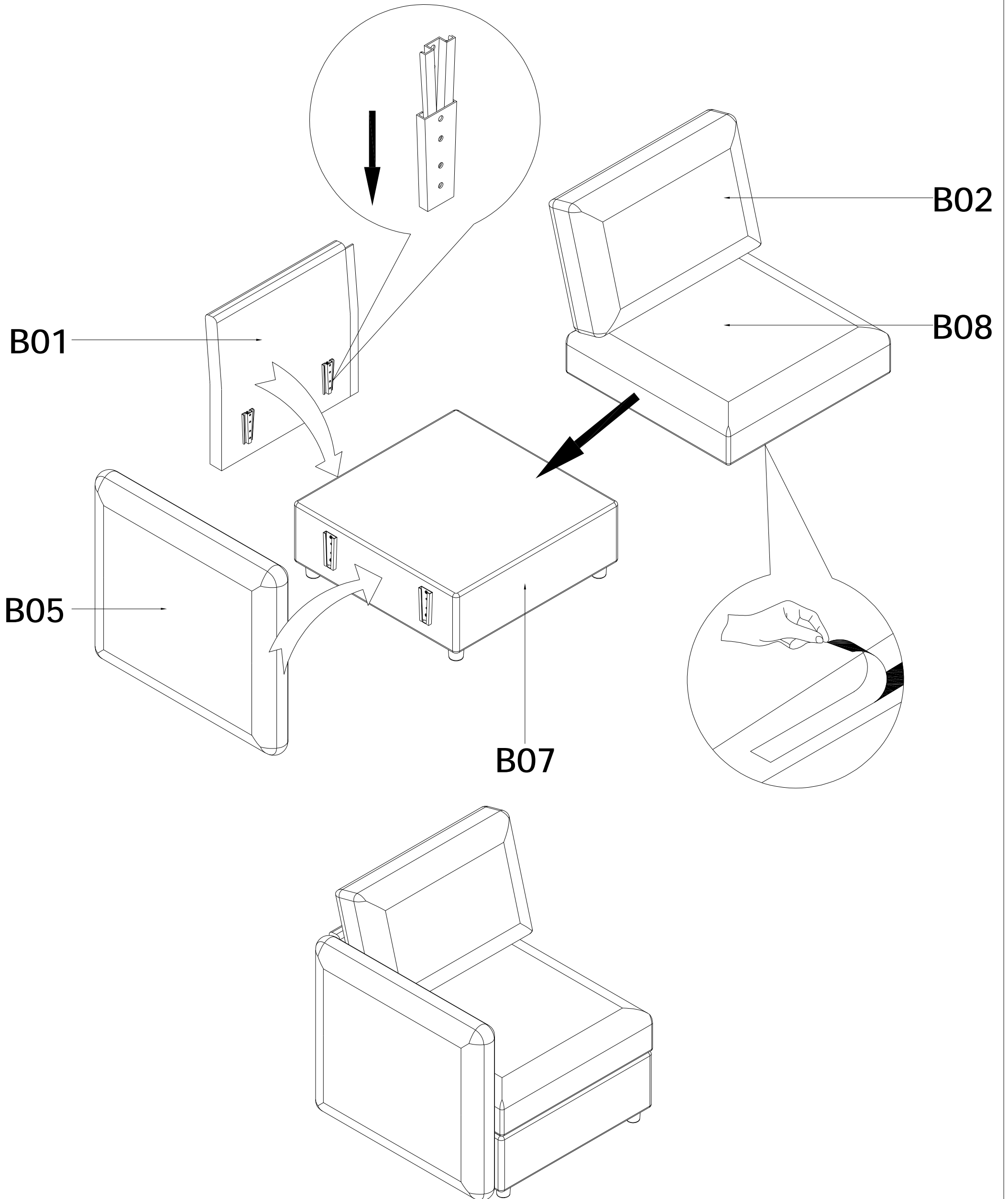
This product has Velcro on the back of the seat and cushion and one or two strips of cloth on the Velcro.

During the installation process, carefully tear off the cloth strip and throw it away. The cloth strip is only to prevent the accessories from sticking to each other.

It takes 48 hours for the internal sponge to return to its original state.
(It will take a week for the wrinkles in the compressed fabric to recover)

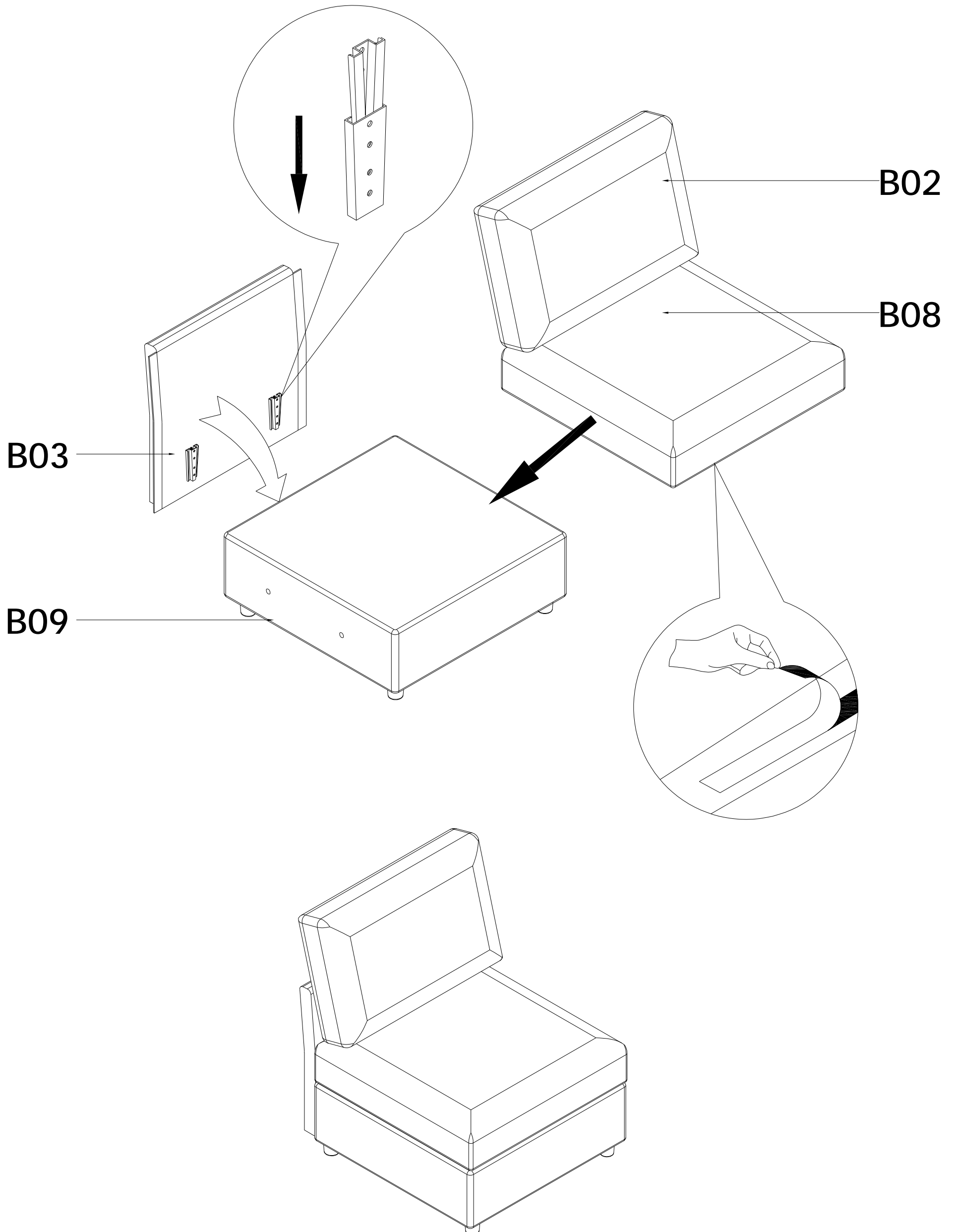
Assembly Steps

Left Seat



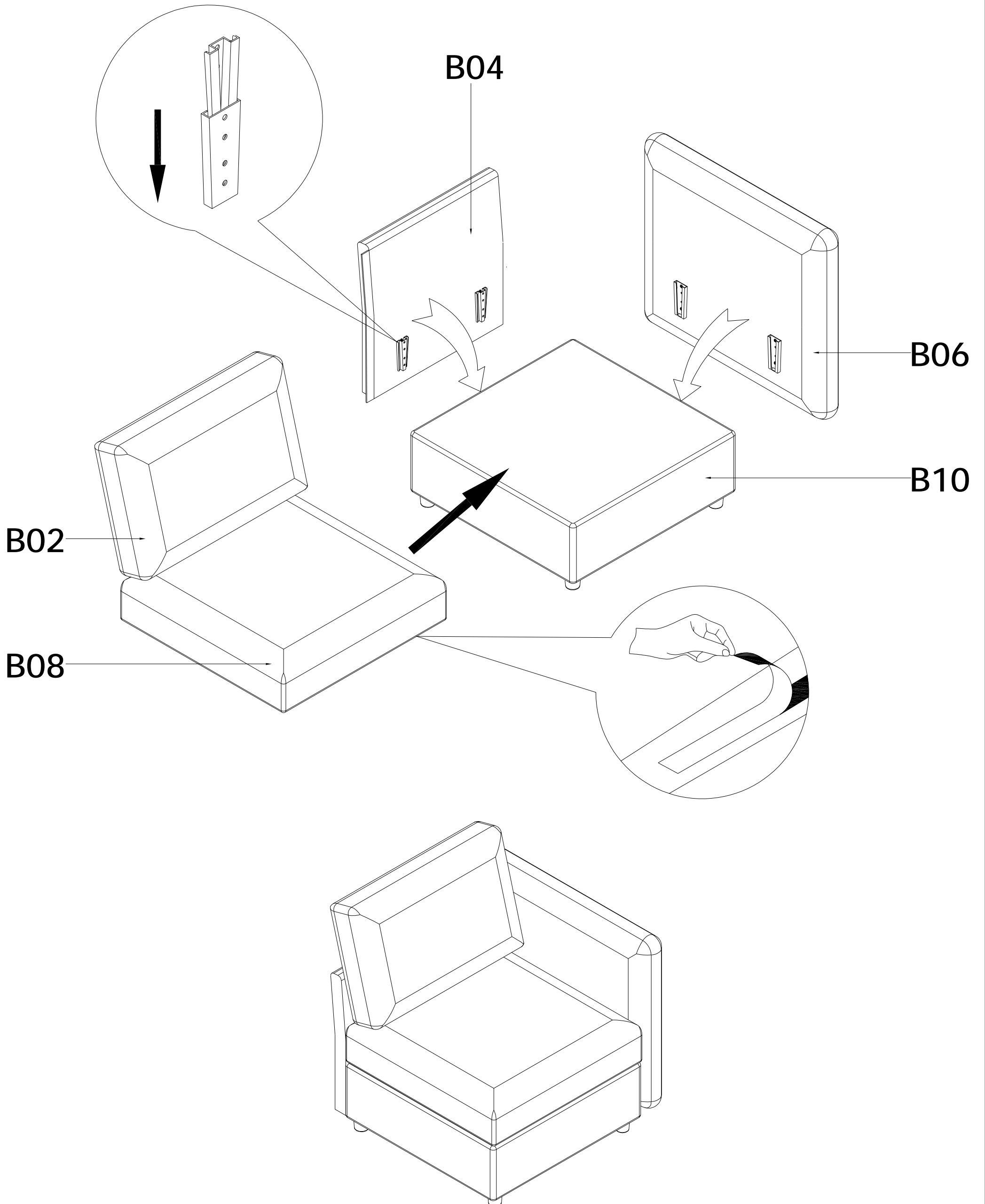
Assembly Steps

Middle Seat



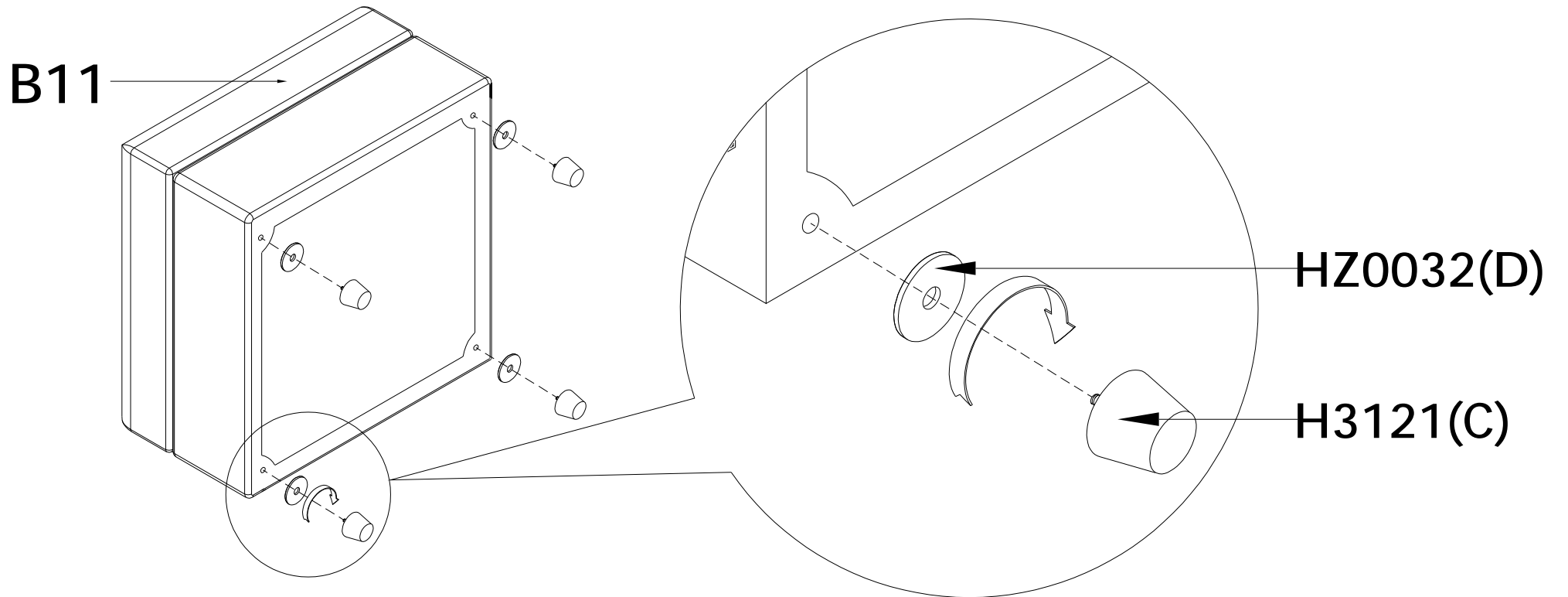
Assembly Steps

Right Seat



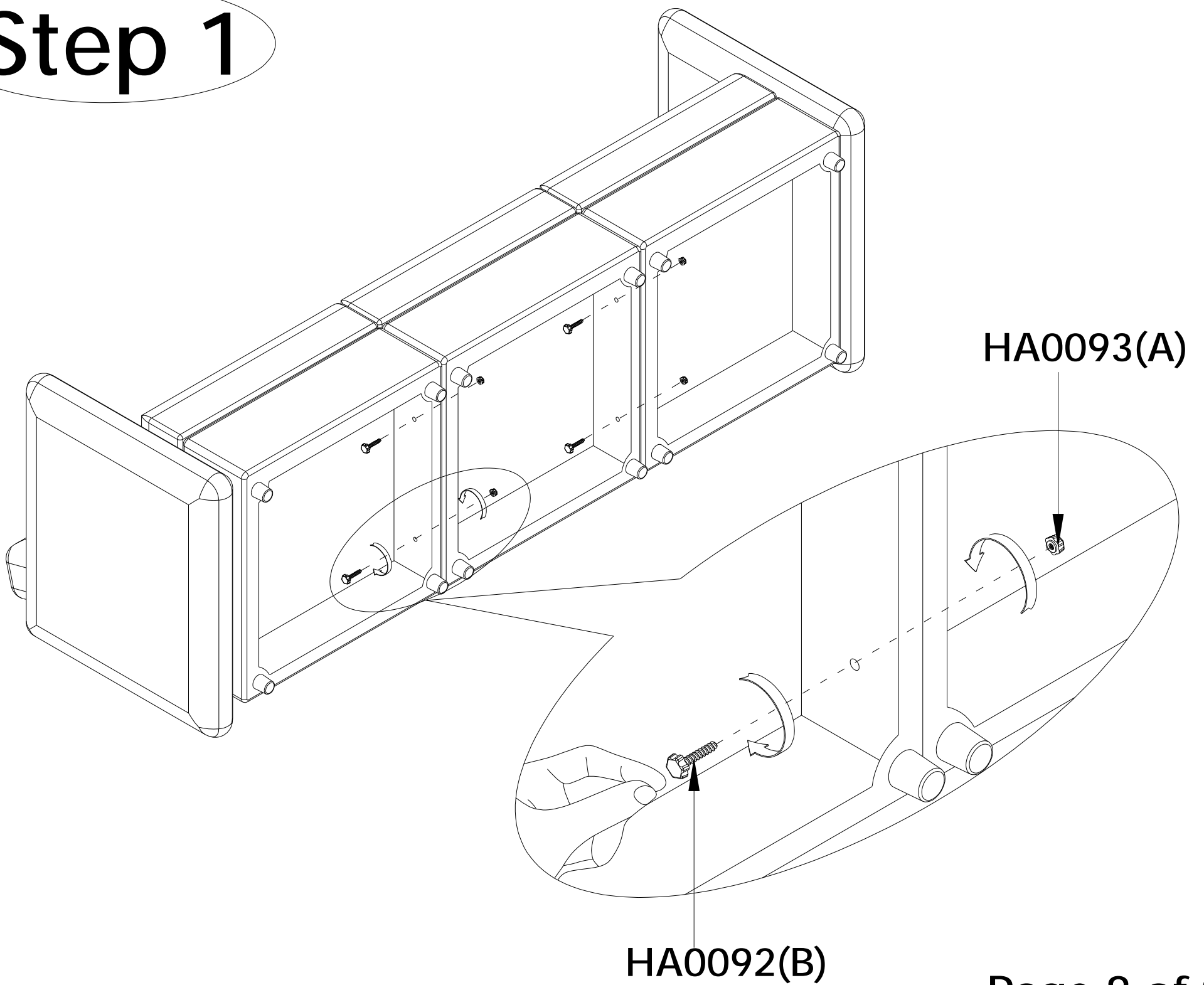
Assembly Steps

Ottoman



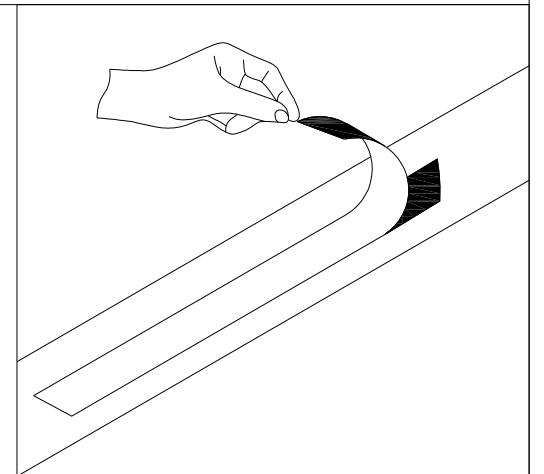
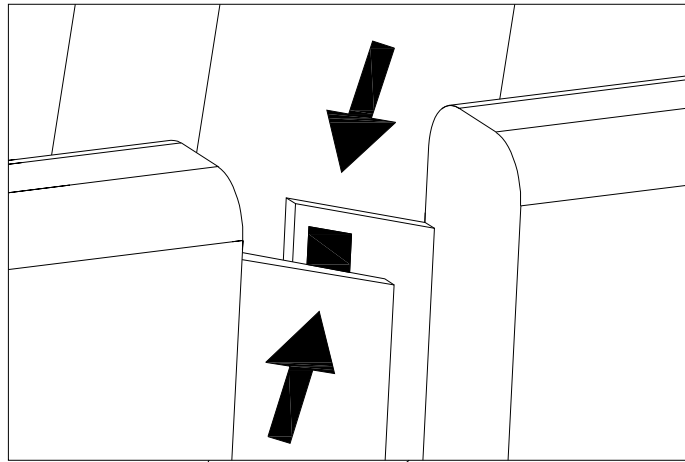
Combination

Step 1



Assembly Steps

Step 2



Please tear off the cloth strip carefully. The cloth strip is only to prevent the accessories from sticking to each other.

