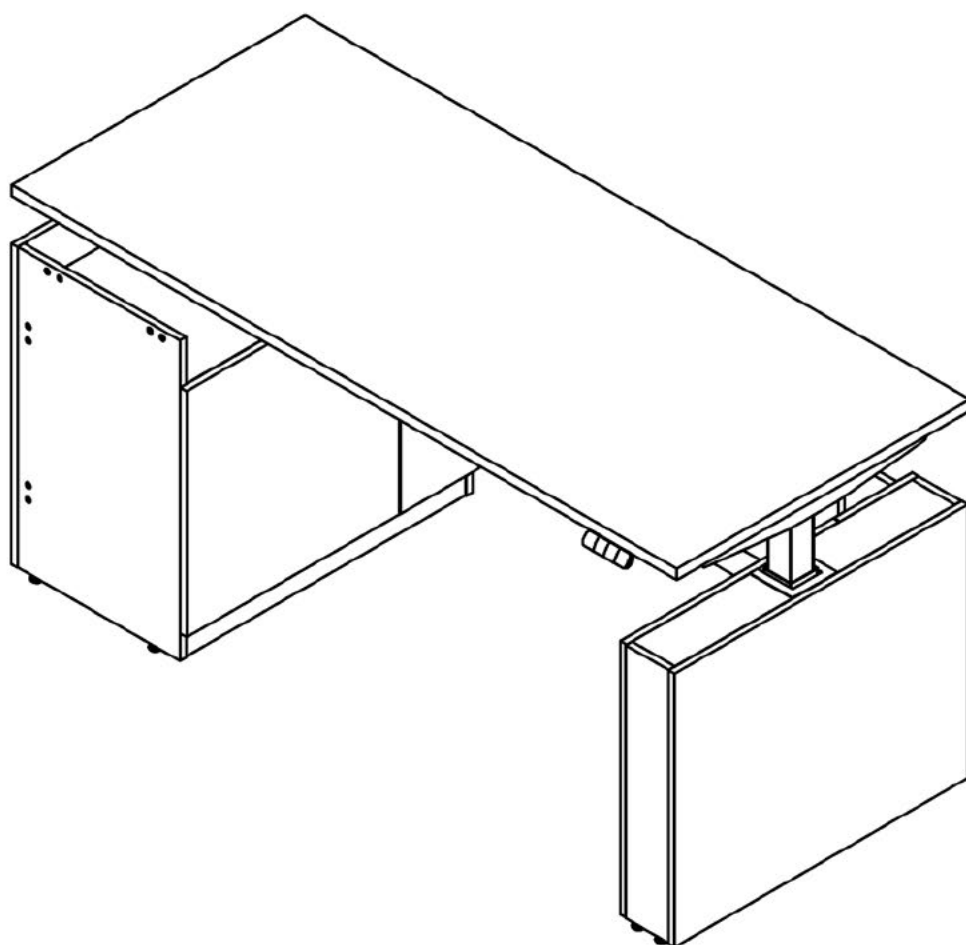


# ASSEMBLY INSTRUCTION



Dear Customer,

Thank you for choosing us. Before you begin assembly, check that you have all the parts and hardware shown on this page. If there is any item missing, please circle the item, indicating quantity required and send picture to us. We will arrange replacement at first time.

**If feel question in assemble, Please feel free to ask us. Customer satisfaction is our prime.**

Your order means a lot to us!

Thank you

---

## TOOLS NEEDED

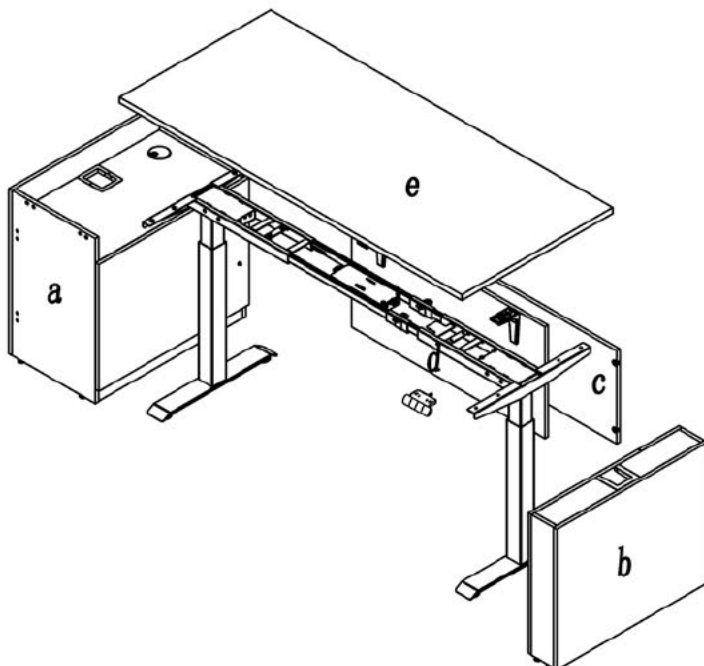
Crosshead screwdriver  
Flat-head screwdriver



Electric Drill

Customer should prepare their own electric drill

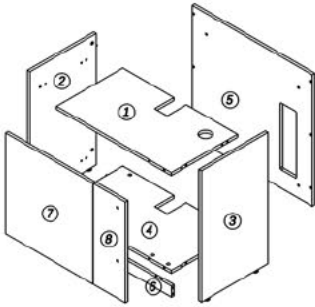
## FINAL ASSEMBLY PARTS LIST



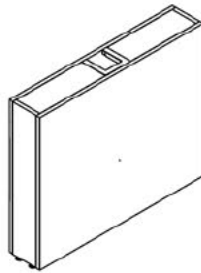
- Ⓐ a Large cabinet
- Ⓑ Complete small cabinet
- Ⓒ Connecting plate
- Ⓓ Baffle
- Ⓔ Table

## PARTS LIST

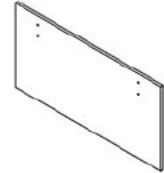
**a** Large cabinet



**b** Complete small cabinet



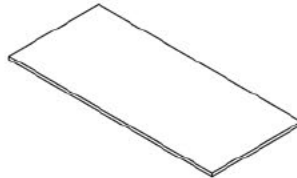
**c** Connecting plate



**d** Baffle



**e** Table



## HARDWARE

**A**:Cam Lock  
Φ15\*11mm



27 pcs

**B**:Cam Bolt  
Φ6\*35mm



27 pcs

**C**:Wooden Dowel  
Φ8\*30mm



24pcs

**D**:Glider  
M6\*25mm



8 pcs

**E**:Heat emission holeHinge



1 pcs

**F**:Hinge



2 pcs

**G**:Cam bolt  
M6\*L16



4 pcs

**H**:Grommet  
Φ64mm



1 pcs

**I**:Cover cap  
L105\*W62 mm



4 pcs

**J**:Brass mirror nail



4 pcs

**K**:Strut member



2 pcs

**L**:Cover cap  
L115\*W110mm



2 pcs

**M**:Clamp



1 pcs

**N**:Screw  
M 6\*12mm



20 pcs

**O**:Angle yards  
70\*30mm



4 pcs

**P**:Plug(low)  
Φ 15mm

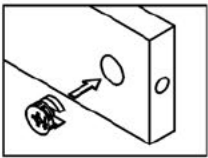
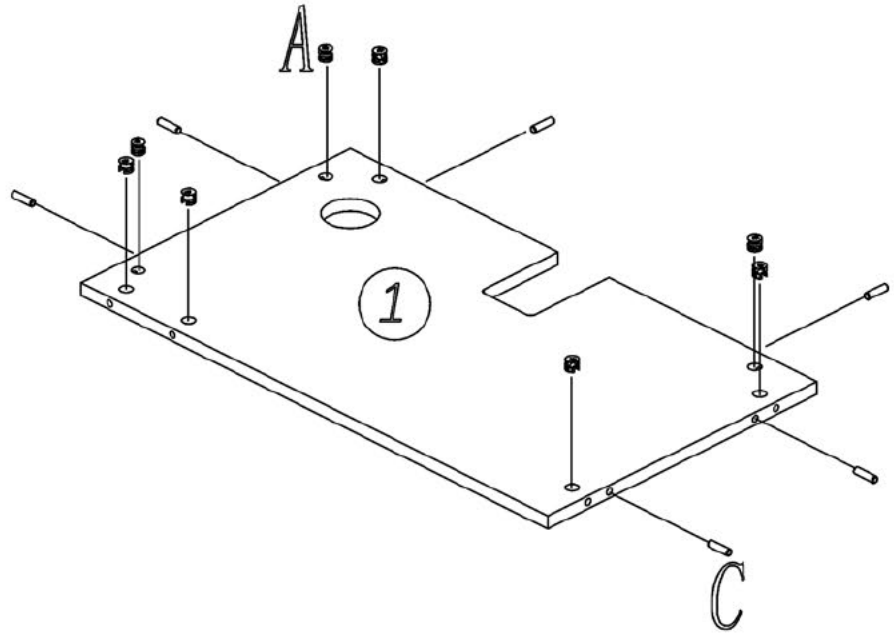


59 pcs

# STEP 1

**A**  8 pcs

**C**  6 pcs



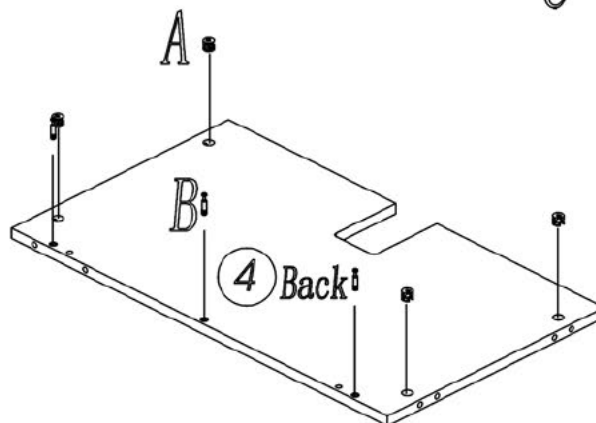
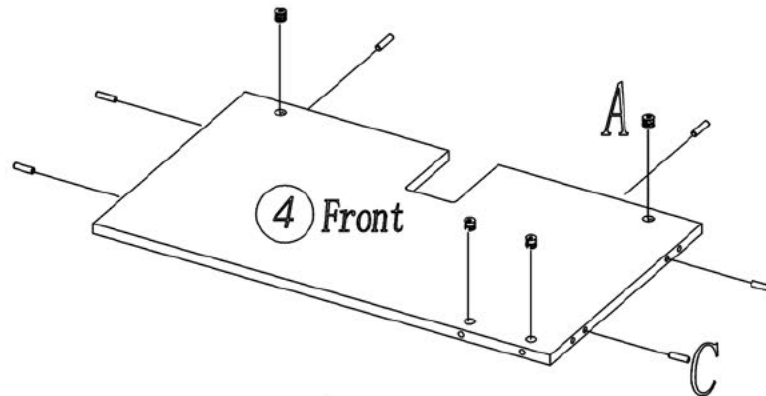
Direction of arrow to the side hole.

# STEP 2





**A**  8 pcs

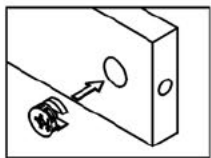
**B**  3 pcs

**C**  6 pcs

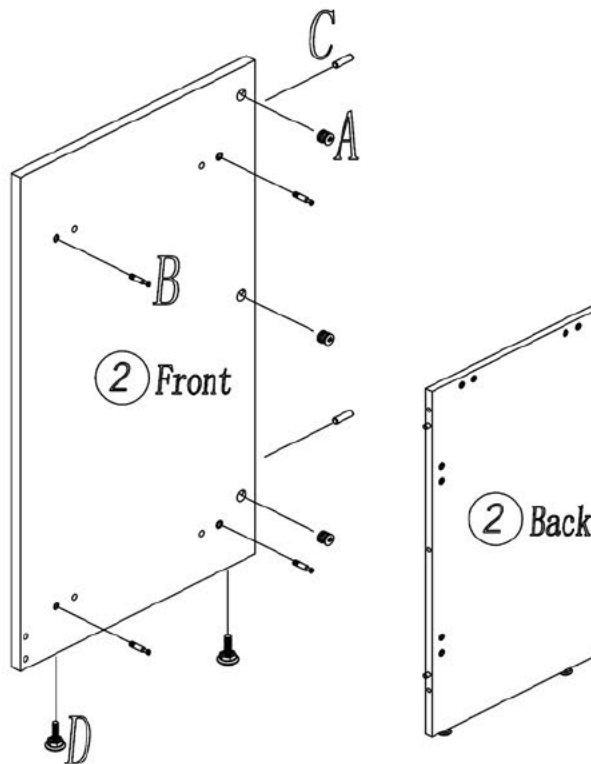


# STEP 3





- A**  3 pcs
- B**  4 pcs
- C**  2 pcs
- D**  2 pcs

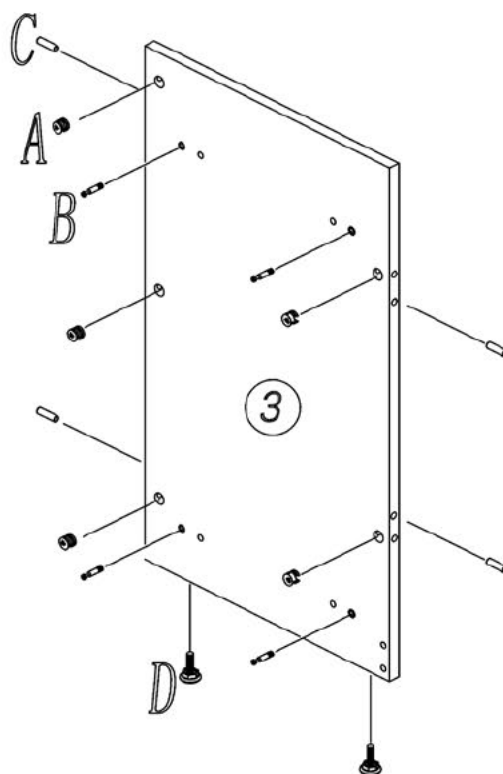


Direction of arrow to the side hole.



# STEP 4

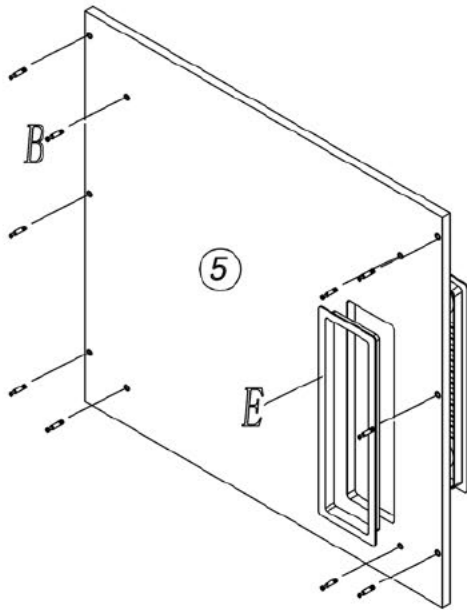
- A**  5 pcs
- B**  4 pcs
- C**  4 pcs
- D**  2 pcs



# STEP 5

**B** 10 pcs

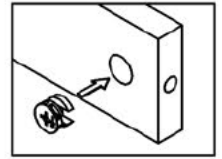
**E** 1 pcs



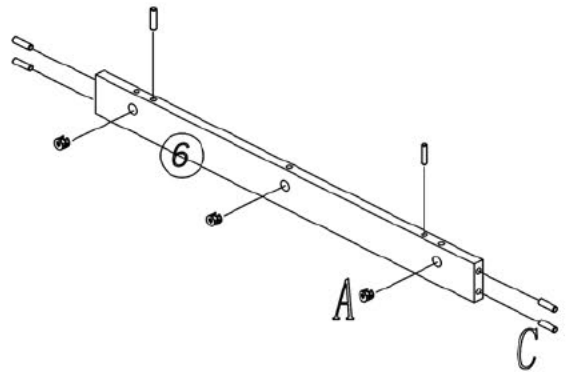
# STEP 6

**A** 3 pcs

**C** 6 pcs

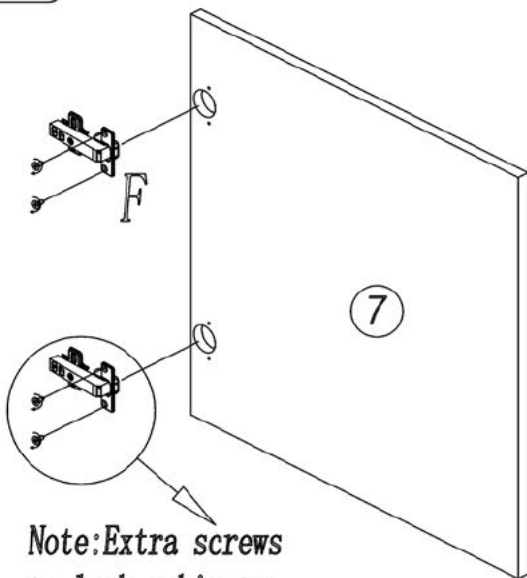


Direction of arrow to the side hole.



# STEP 7

**F** 2 pcs

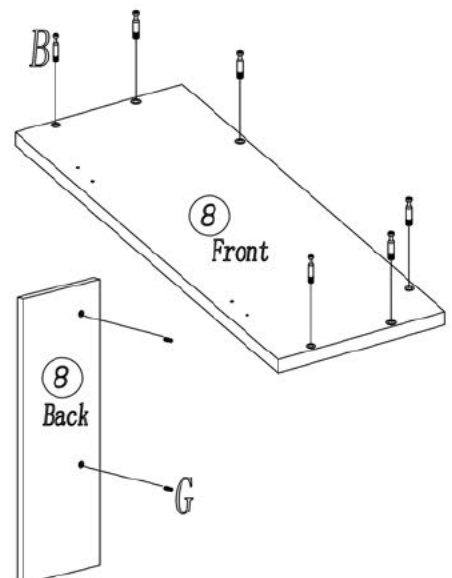


Note: Extra screws to lock cabinets;

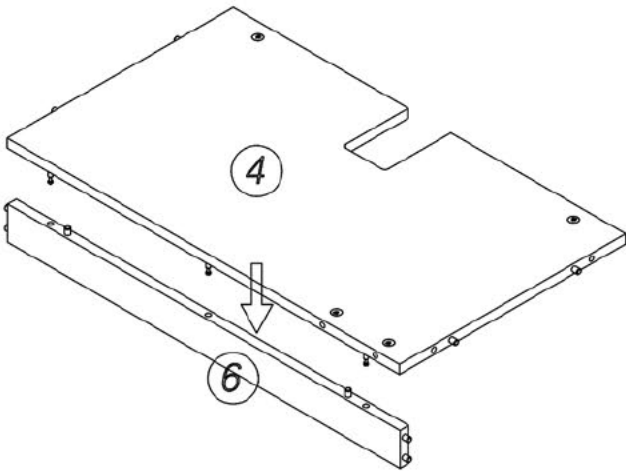
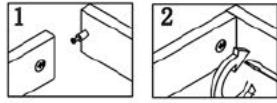
# STEP 8

**B** 6 pcs

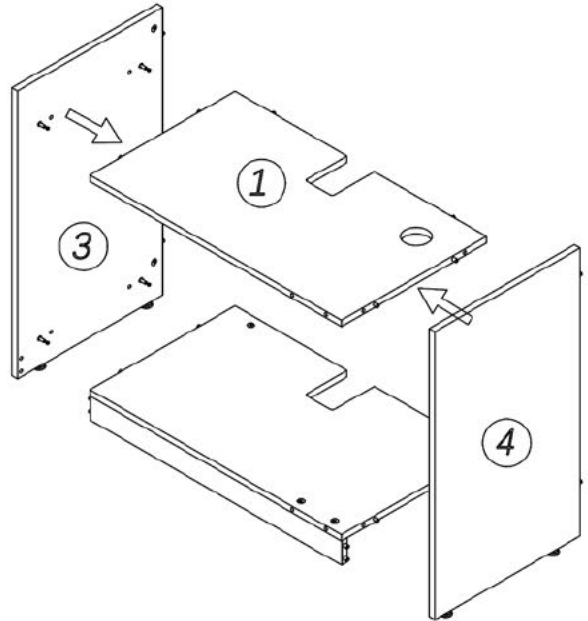
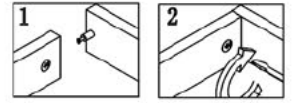
**G** 2 pcs



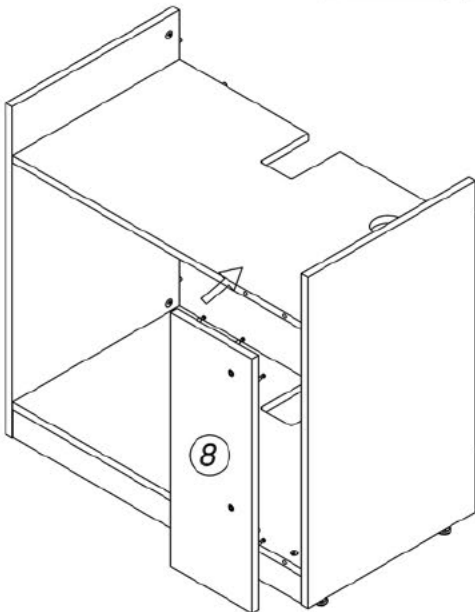
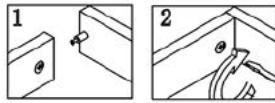
## STEP 9



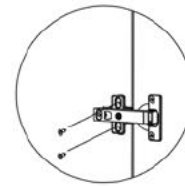
## STEP 10



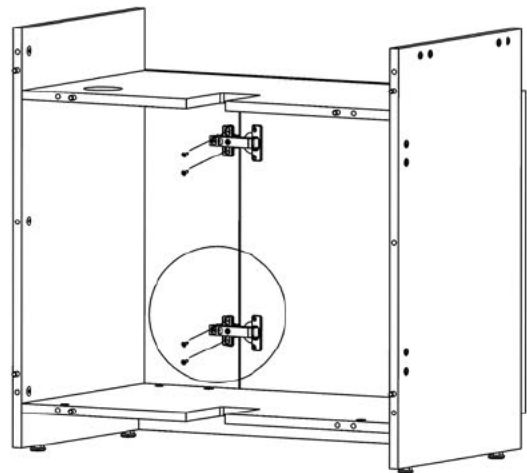
## STEP 11



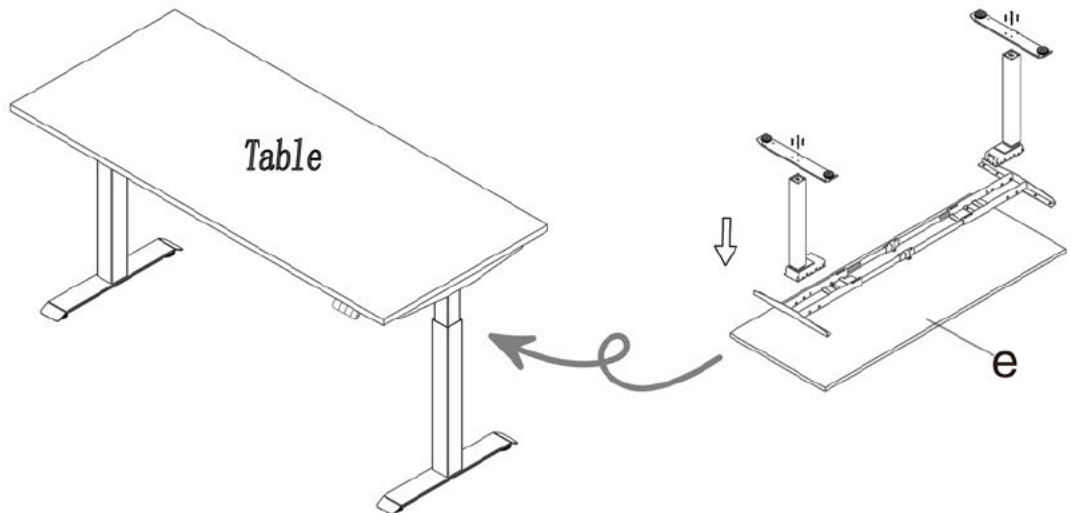
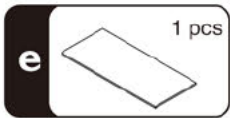
## STEP 12



Use the extra screws in hardware F;



## STEP 13



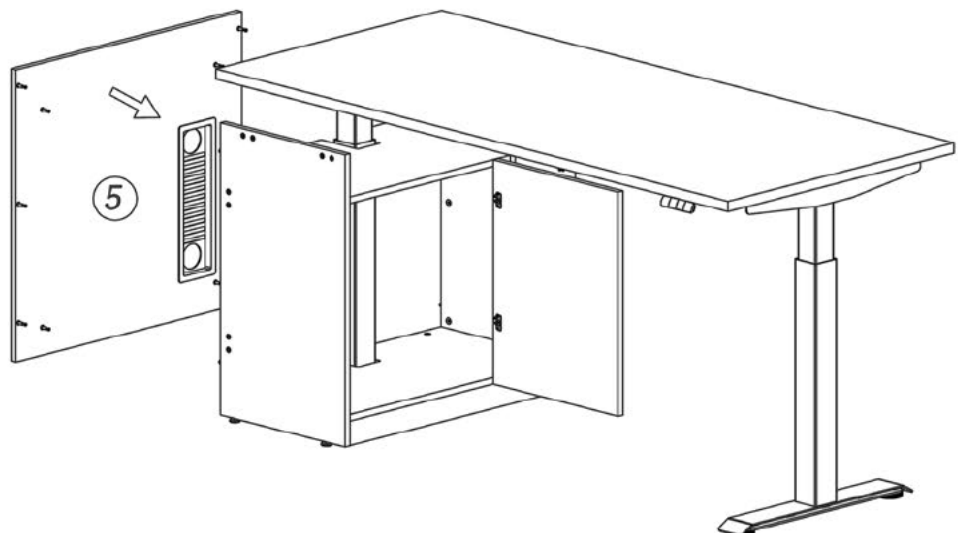
### Note:

1. Install the table with the lifting mechanism. Check the lifting installation manual for details;
2. Set Lowest limit: Set the height to 29.4"; Press "M" button, the display shows "s-", then release the button; Press the "down" button, after the display flashes, release the button; Then press "M" button again for 2 seconds, and when the display shows "000", the setting is completed.

## STEP 14

### Note:

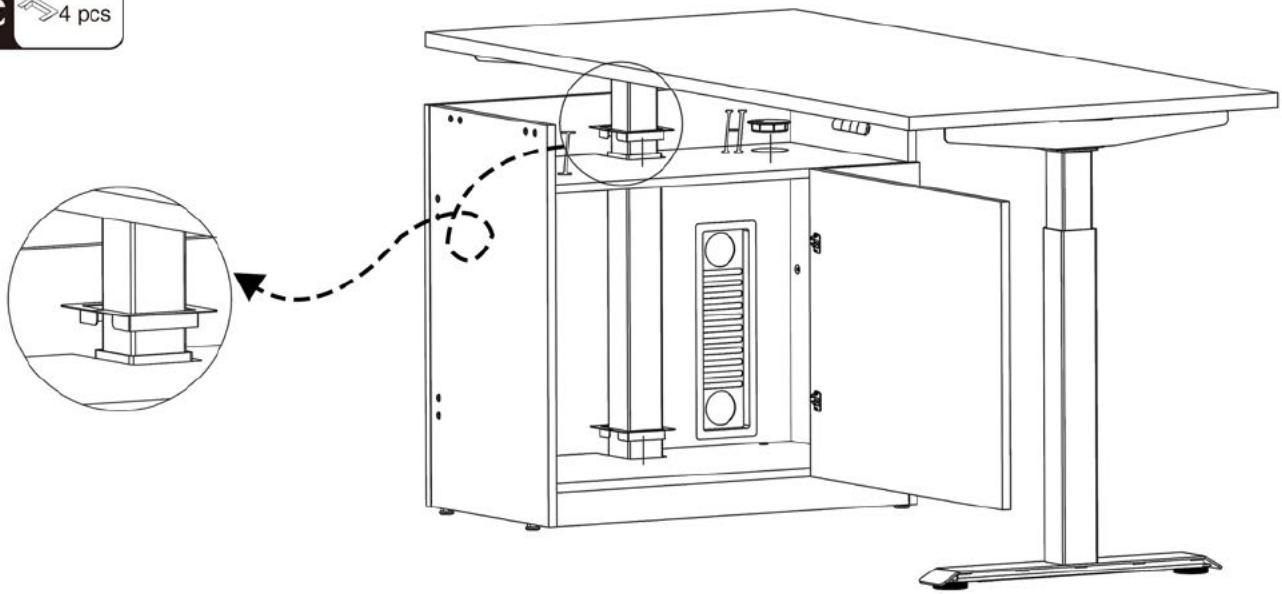
The back board of the large cabinet is installed after the cabinet is placed



# STEP 15

**A**  1 pcs


**C**  4 pcs

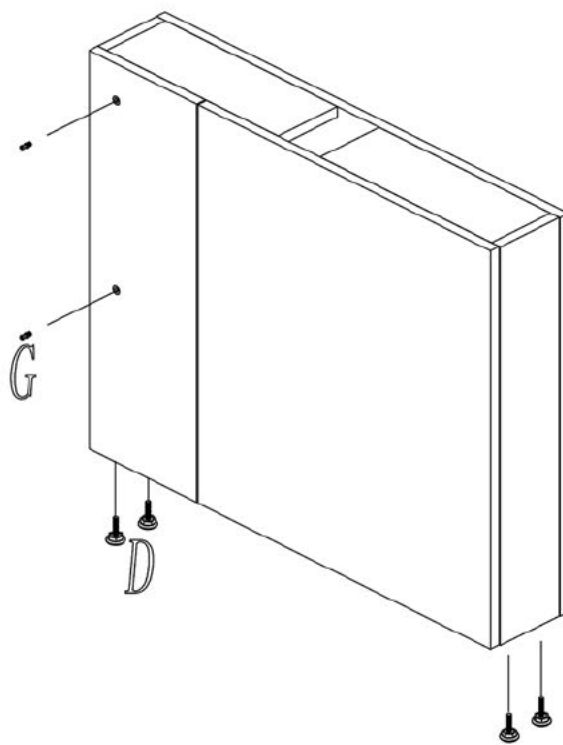


# STEP 16

**D**  4 pcs

**G**  2 pcs

**B**  1 pcs

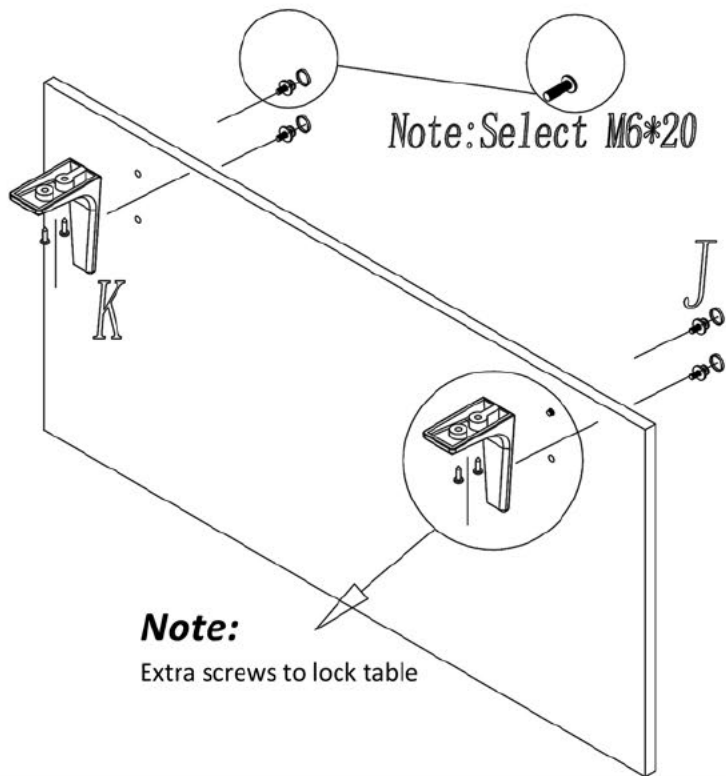


# STEP 17

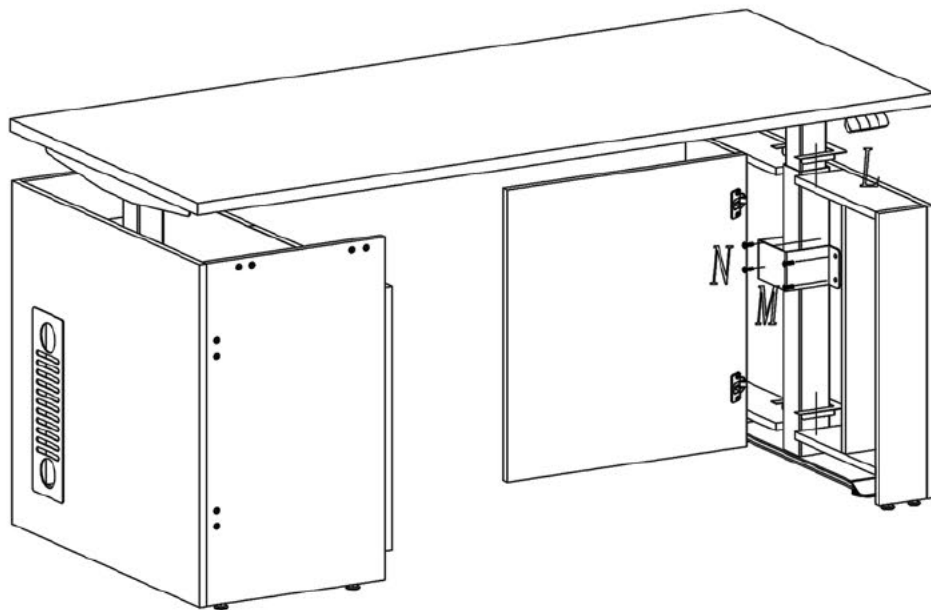
J 4 pcs

K 2 pcs

C 1 pcs



# STEP 18



**Note:**

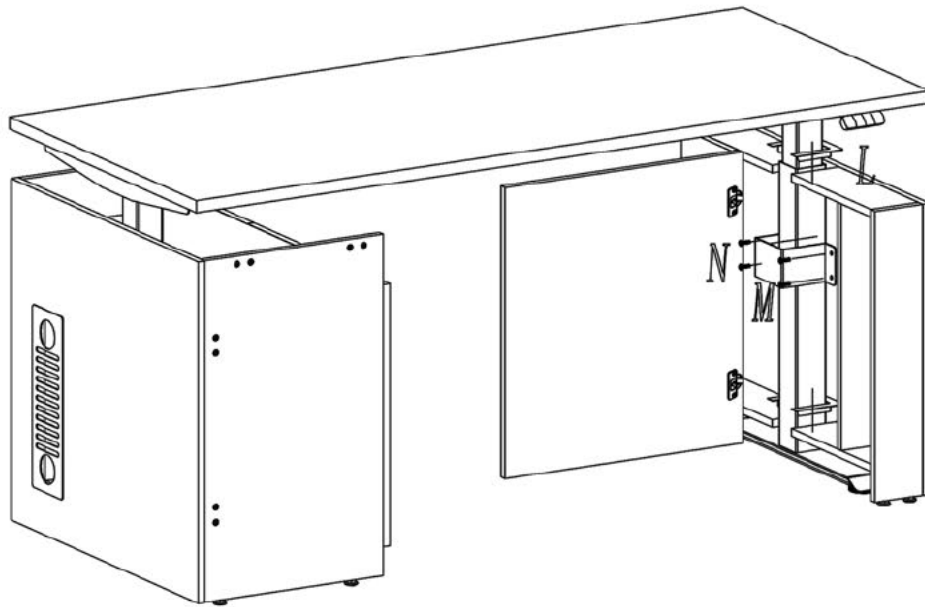
Assemble the assembled small cabinet with the lifting table

# STEP 19


L  2 pcs

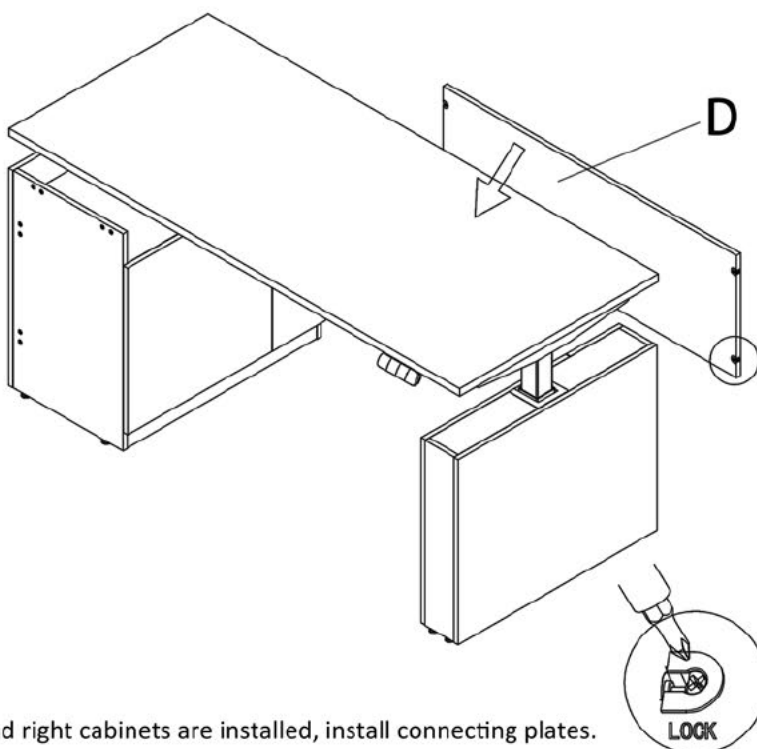
M  1 pcs

N  4 pcs



# STEP 20

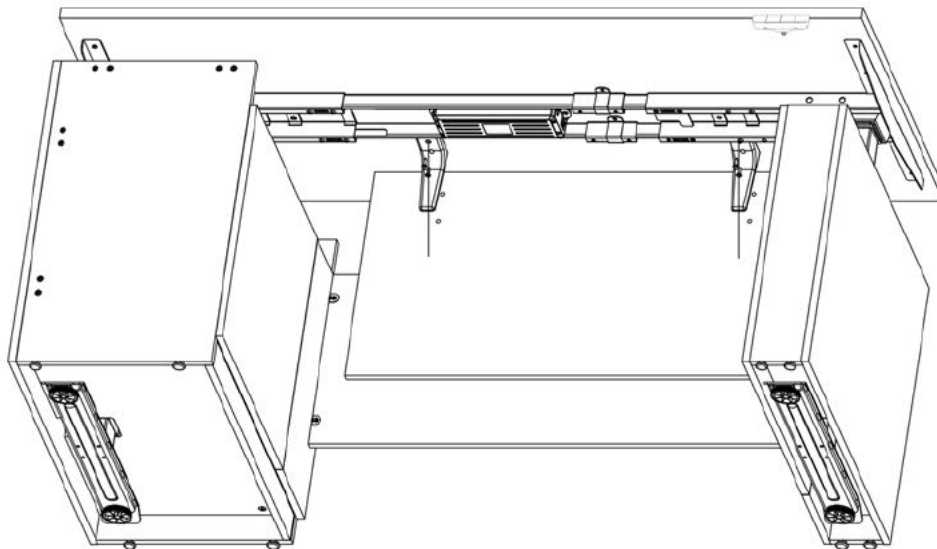
d  1 pcs



**Note:**

After the left and right cabinets are installed, install connecting plates. Remember to lock it after installation.

## STEP 21



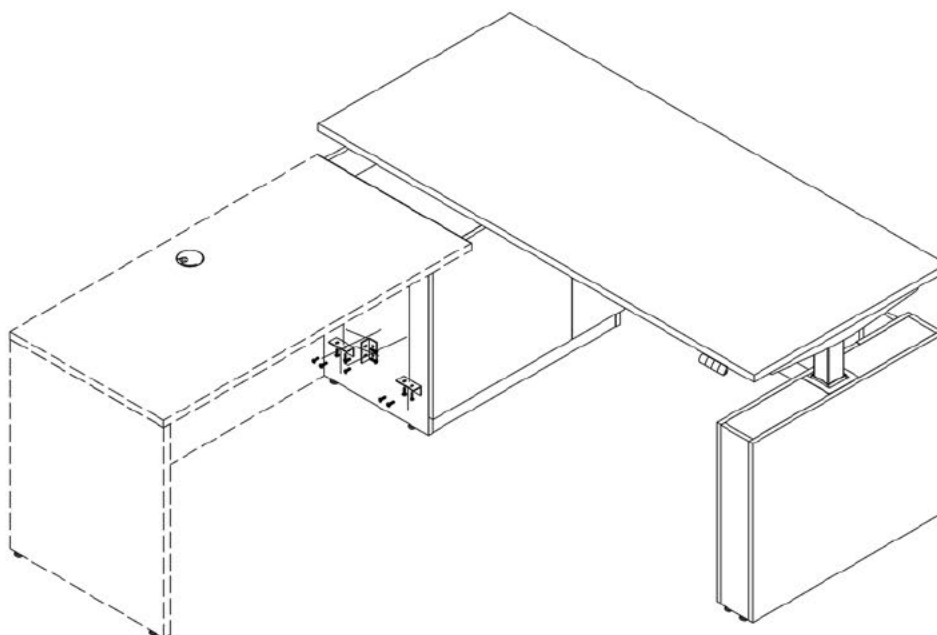
**Note:** Connect the baffle to the table

## STEP 22

**N**  16 pcs

**O**  4 pcs

**P**  4 pcs



**Note:** 1.Angle yards are used when connecting side table;  
2.Use plugs to cover the Cam Lock wherever you want to cover;