
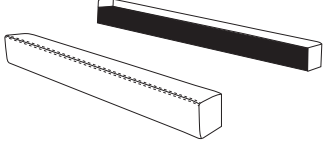
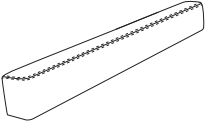
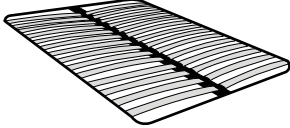

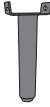


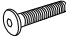


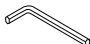



ASSEMBLY INSTRUCTIONS

PARTS LIST

A	HEADBOARD		<p>Before Beginning</p> <ol style="list-style-type: none"> 1 - Carefully unpack and position the item on a clean, non-marring surface to assemble. 2 - Read this Assembly Instructions from beginning to end before starting to assemble. 3 - Take an inventory of the required parts to ensure all are available. 4 - To prevent accidental choking hazards, keep all packing materials away from small children. 5 - Only tighten hardware until ALL hardware are fully engaged on their locations. Overtighten bolts will damage the bolt threads. 6 - Use only factory provided hardware to assemble. Unapproved hardware can damage product or jeopardize the structural integrity of the product. 7 - The use of power tool to assemble is not recommended due to high risk of over-torque, which can damage the product.
B	SIDEBOARD		
C	FOOTBOARD		
D	METAL SLAT		

Z	HARDWARE	<p>Z1</p>  <p>76MM X4</p>	<p>Z2</p>  <p>230MM X2</p>	<p>Z3</p>  <p>*Pre-installed 8 x 30MM X8</p>	<p>Z4</p>  <p>*Pre-installed 6 x 30MM X8</p>	<p>Z5</p>  <p>8 x 80MM X6</p>	<p>Z6</p>  <p>12MM X6</p>	<p>Z7</p>  <p>3 x 16MM X8</p>	<p>Z8</p>  <p>30MM X1</p>	<p>Z9</p>  <p>30MM X1</p>
---	----------	---	--	--	--	---	--	--	--	--



ASSEMBLY REQUIRES
TWO PEOPLE



15-MINUTE
ASSEMBLY TIME

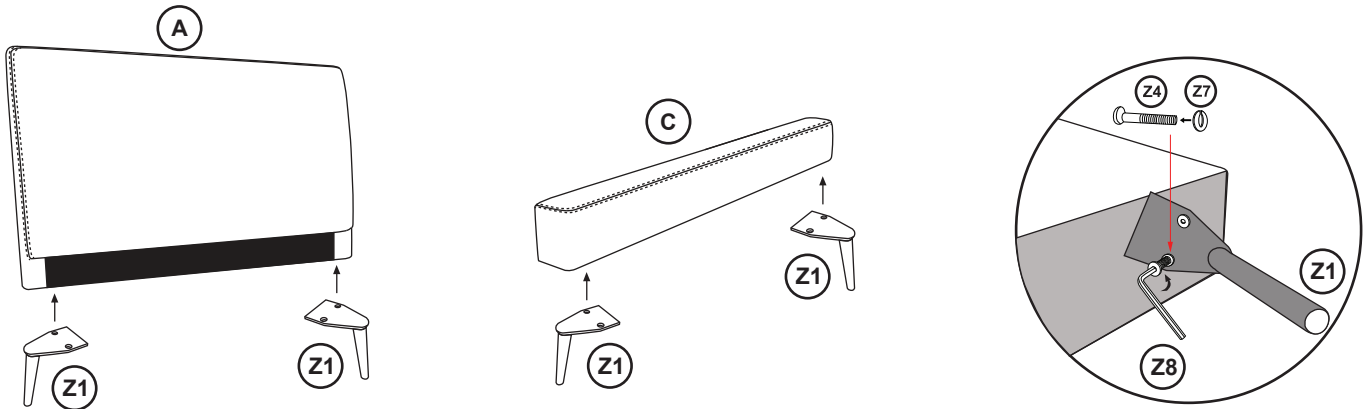


KEEP INSTRUCTIONS
FOR FUTURE USE

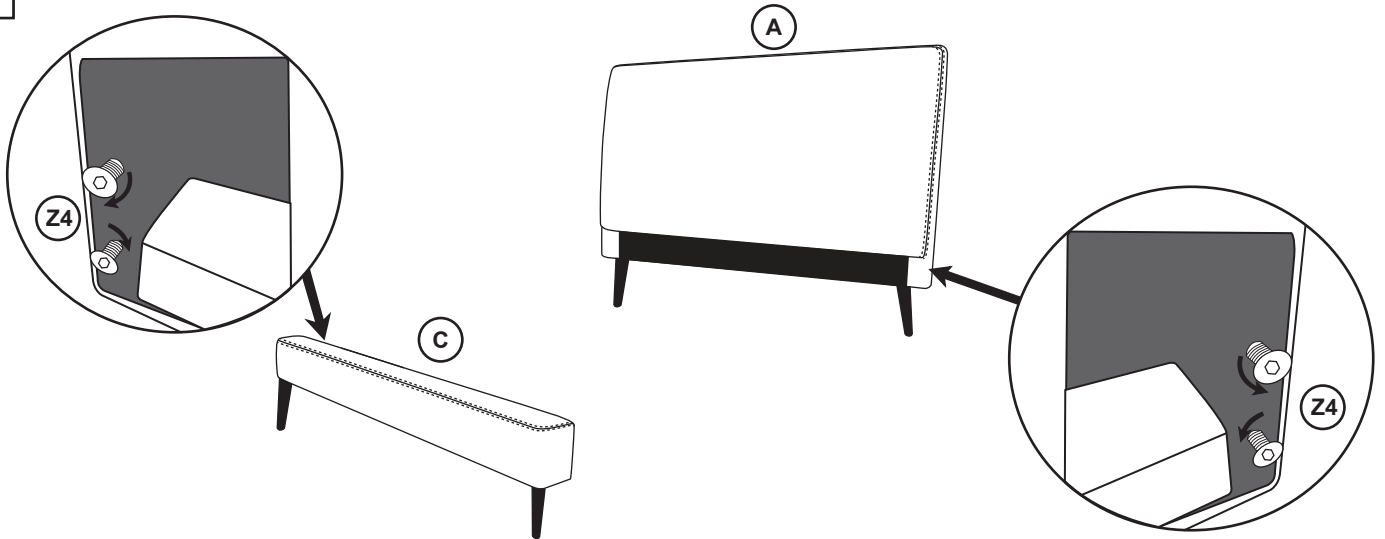


ASSEMBLY INSTRUCTIONS

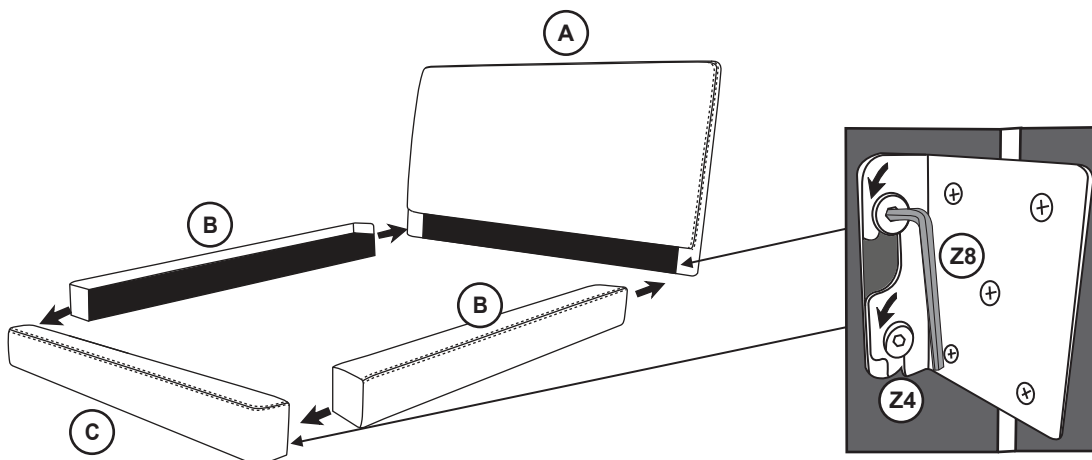
- 1** Rotate out the bolts (Z3) fixed. Align and attach feet (Z1) to headboard (A) and footboard (C), insert the bolts (Z4) and washer (Z7) then tighten with Allen key (Z8).



- 2** Rotating out the bolts (Z4) that fixed on headboard (A) and footboard (C).

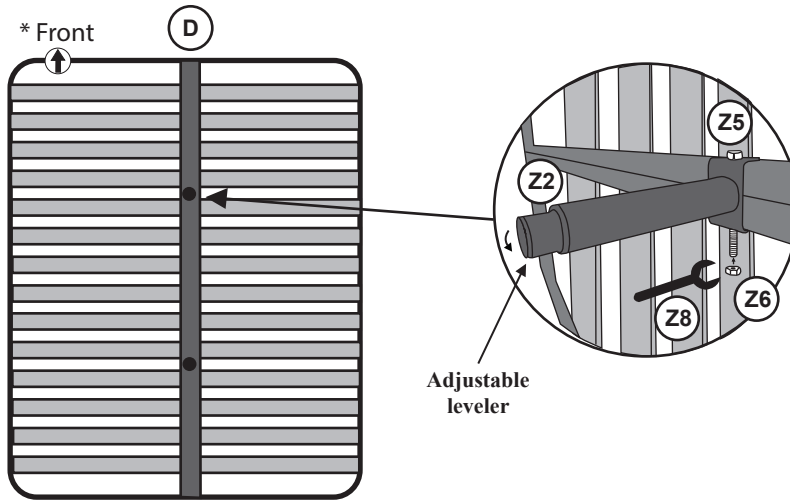


- 3** Locking the 2 side rails (B) on the bracket of headboard (A) and footboard (C). After that tighten the bolts (Z4) with allen key (Z8).

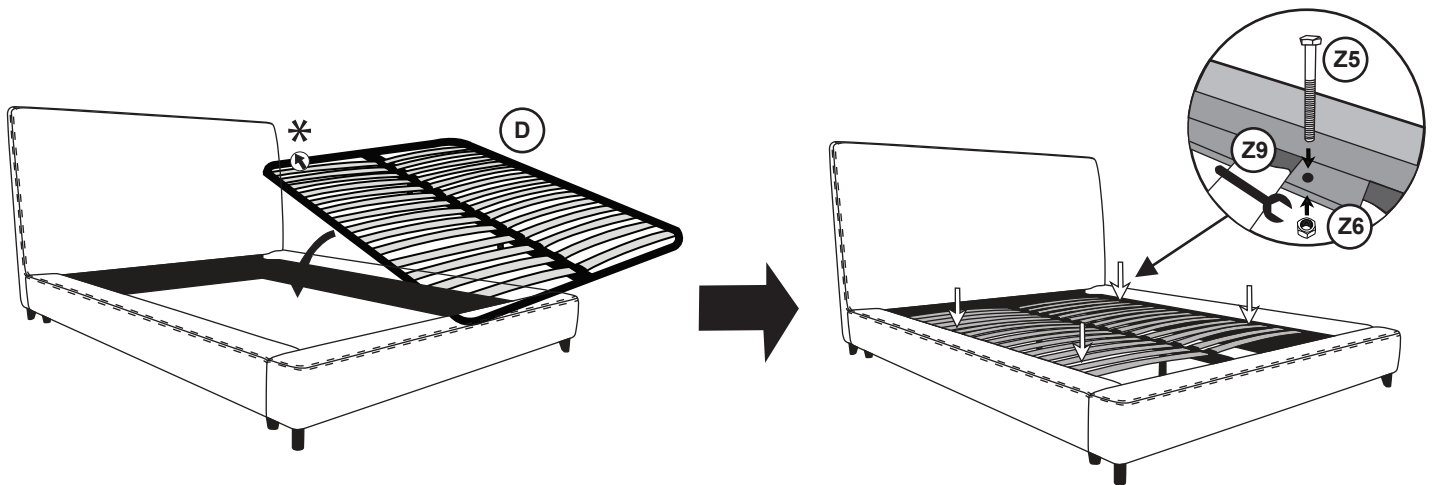


ASSEMBLY INSTRUCTIONS

- 4 Tighten the centre feet (Z2) on slat frame (D) with bolt (Z5) and nut (Z6). Turn the leveler at the bottom of support leg to adjust the height to be level with floor.



- 5 Place the slat frame (D) on bed frame follow the arrow sticker upward. Fix it with the bolt (Z5) and nut (Z6) on slat frame.



6

