

Fire Pit Table  
User Manual  
CIFPT3  
Rev(01) A



# Table of Contents

SAFETY INFORMATION .....	2-5
PREPARATION .....	6
SUPPLIED PARTS AND HARDWARE .....	6-7
ASSEMBLING THE TABLE .....	8-13
GAS CYLINDER INSTALLATION AND CONNECTION .....	14-15
CREATE A FIRE PIT SAFE ZONE .....	16
HOW TO SAFELY START YOUR FIRE .....	17-19
MAINTENANCE AND STORAGE .....	20-21
FAQ .....	22

**Caution:** Do not attempt to operate until you have read & understood all General Safety Information in this manual and all assembly is completed & leak checks have been performed.

**Note:** Before beginning the assembly of the product, make sure all parts are present. Compare parts with package content list and hardware contents. If any parts are missing or damaged do not attempt to assemble the unit. Contact customer service for replacement parts.

# SAFETY INFORMATION

## SAFETY WARNING

Read the installation, operation, and maintenance instructions before installing, using, or servicing this appliance. The appliance must be installed in accordance with the instructions and local regulations.

Failure to comply with the precautions and improper installation, adjustment, alteration, service, or maintenance can cause injury or property damage from hazards of fire, explosion, burn, asphyxiation, and/or carbon monoxide poisoning.

Only persons who can understand and follow the instructions should use or service this heater.

### DANGER

DANGER indicates an imminently hazardous situation that, if not avoided, may result in death or serious injury.

### WARNING

WARNING indicates a hazardous situation that, if not avoided, may result in death or serious injury.

### CAUTION

CAUTION indicates an imminently hazardous situation that, if not avoided, may result in minor or moderate personal injury or property damage.

### DANGER

Do not store or use gasoline or other flammable vapor and liquids in the vicinity of this or any other appliance.

### DANGER

Do a leak test after each change of the cylinder.  
Never check for leaks with a match or open flame.

### DANGER Carbon Monoxide Hazard



This appliance can produce carbon monoxide which has no odor. Using it in an enclosed space can cause injury or death.

**For Outdoor Use Only** (outside any enclosure). Never use this appliance in an **enclosed space** such as a camper, tent, car, or home.



## **DANGER If You Smell Gas**

Close the valve of the gas cylinder or regulator.  
Extinguish all naked flames, and do not operate any electrical appliances.  
Check for leaks as detailed in these instructions.



## **DANGER**

Do not use solid fuels in this appliance.



## **DANGER**

The maximum inlet gas supply pressure: Max. 250 PSI. Min 5 PSI



## **DANGER**

Do not use this appliance if any part has been submerged in water.  
Immediately call a qualified service technician to inspect the appliance and to replace any part of the control system and any gas control that has been in contact with water.



## **DANGER**

### **CARBON MONOXIDE HAZARD**

For outdoor use only. Never use inside the house or other unventilated or enclosed areas. This heater consumes air (oxygen). Do not use in unventilated or enclosed areas to avoid endangering your life.



## **DANGER**

### **EXPLOSION - FIRE HAZARD**

Never store propane near high heat, open flames, pilot lights, direct sunlight, other ignition sources, or where temperatures exceed 120 degrees F (49°C). Propane vapors are heavier than air and can accumulate in low places. If you smell gas, leave the area immediately.

Never install or remove propane cylinders while the heater is lighted, near flames, pilot lights, other ignition sources, or while the heater is hot to touch. This heater is extremely hot during use and can ignite flammables too close to the burner. Keep flammables at least 36" (91.44CM) from sides & 48" (121.92CM) from top. Keep gasoline and other flammable liquids and vapors away from the heater. The propane cylinder must always be stored outdoors in a well ventilated space. Never store propane cylinders in an enclosed area (house, garage, etc.). If the heater is to be stored indoors, disconnect the propane cylinder for outdoor storage.



## WARNING

Surfaces of the fire pit can remain extremely hot for a period after use. Allow 45 minutes to cool down before touching or moving the fire pit.



## WARNING

An LP cylinder not connected for use should not be stored in the vicinity of this or any other appliance.



## WARNING

**WARNING:** FUELS USED IN LIQUEFIED PROPANE GAS APPLIANCES, AND THE PRODUCTS OF COMBUSTION OF SUCH FUELS CAN EXPOSE YOU TO CHEMICALS INCLUDING BENZENE, WHICH IS KNOWN TO THE STATE OF CALIFORNIA TO CAUSE CANCER AND CAUSE BIRTH DEFECTS OR OTHER REPRODUCTIVE HARM.

*FOR more information go to: [www.P65Warning.ca.gov](http://www.P65Warning.ca.gov)*

**ADVERTENCIA:** LOS COMBUSTIBLES USADOS EN EQUIPOS PARA LICUAR GAS PROPANO, ASÍ COMO LOS PRODUCTOS DE COMBUSTIÓN, PUEDEN EXPONERLE A SUSTANCIAS QUÍMICAS, ENTRE ELLAS EL BENCENO, QUE EL ESTADO DE CALIFORNIA RECONOCE COMO CAUSANTES DE CÁNCER, MALFORMACIONES CONGÉNITAS U OTROS DAÑOS AL SISTEMA REPRODUCTOR.

*Para más información, visita: [www.P65Warning.ca.gov](http://www.P65Warning.ca.gov)*

**Caution: Do not attempt to operate until you have read & understood all General Safety Information in this manual and all assembly is complete & leak checks have been performed.**

## Warnings-About Propane Cylinder

You must provide propane gas and a propane cylinder. Use a standard 20 lb. propane cylinder only.

Use this heater only with a propane vapor withdrawal supply system. See Chapter 5 of the Standard for Storage and Handling of Liquefied Petroleum Gas, ANSI/NFPA 58. Your local library or fire department should have this book.

The minimum permissible gas supply pressure of 10 W.C. is the required for purpose of input adjustment.

The minimum hourly of 50,000 Btu is the required input rating for a heater for automatic operation at ratings less than the full input rating.

The pressure regulator and hose assembly supplied with the appliance must be used.

The installation must conform to local codes, or in the absence of local codes, to the National Fuel Gas Code, ANSI Z223.1.

A dented, rusted or damaged propane cylinder may be hazardous and should be checked by your cylinder supplier. Never use a propane cylinder with a damaged valve connection.

The cylinder used must include a collar to protect the cylinder valve.

Do not store a spare LP gas cylinder under or near this appliance.

Never fill the cylinder beyond 80 percent full.

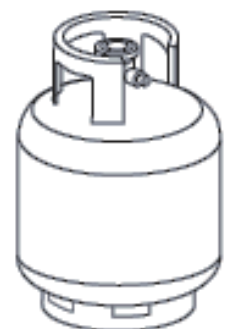
For appliances designed to use a CGA No.791 connection:

Place the dust cap on the cylinder valve outlet whenever the cylinder is not in use.

Only install the type of dust cap on the cylinder valve that is provided with the cylinder valve.

Other types of caps or plugs may result in leakage of propane.

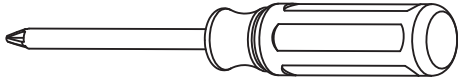
Note: Gas supply pressure: 25 to 250



Standard 20 lb. tank

# PREPARATION

## Tools Required (Not Included)



Phillips Screwdriver

--Select an area where you will assemble this product. To protect components, choose a smooth non abrasive surface that's free of cracks or openings.

--Spread out all the parts.

--Tighten all hardware connections by hand first. Before completing each step, go back and fully tighten all hardware. Be careful not to over-tighten, which could damage the surface or strip threads.

--For the best results, complete each in the order presented.

To complete the assembly you will need:

(1) Leak detection solution instructions on how to make the solution are included in the "HOW TO SAFELY START YOUR FIRE" section of this manual.

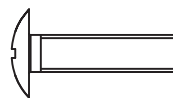
(2) Precision-filled LP gas grill tank with an Acme Type 1 external threaded valve connection standard grill size.

## Supplied Parts and Hardware

### Supplied Hardware

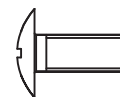
**AA**

Bolt  
M6X25mm  
4PCS

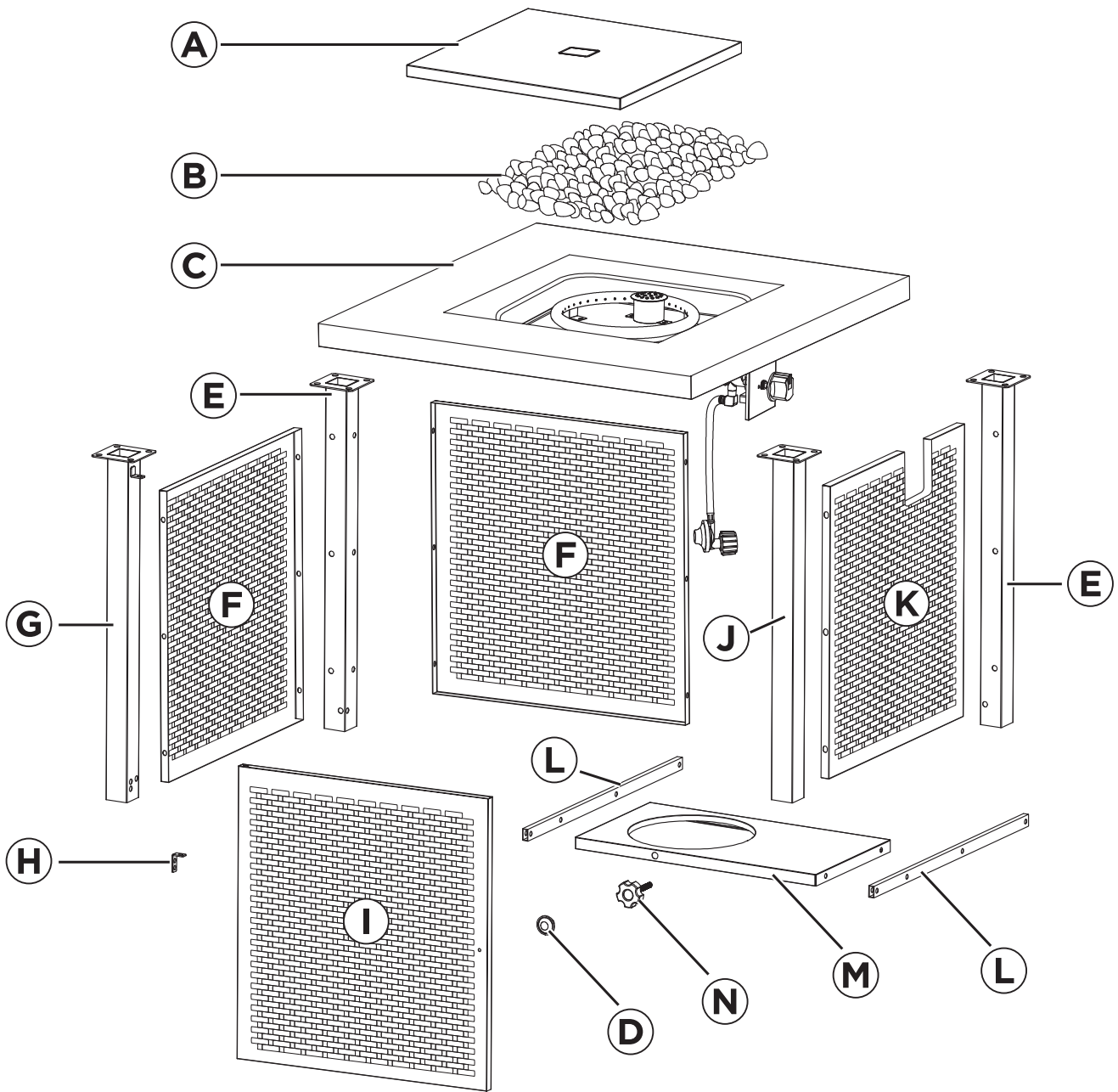


**BB**

Bolt  
M6X12mm  
36PCS



## Supplied Parts



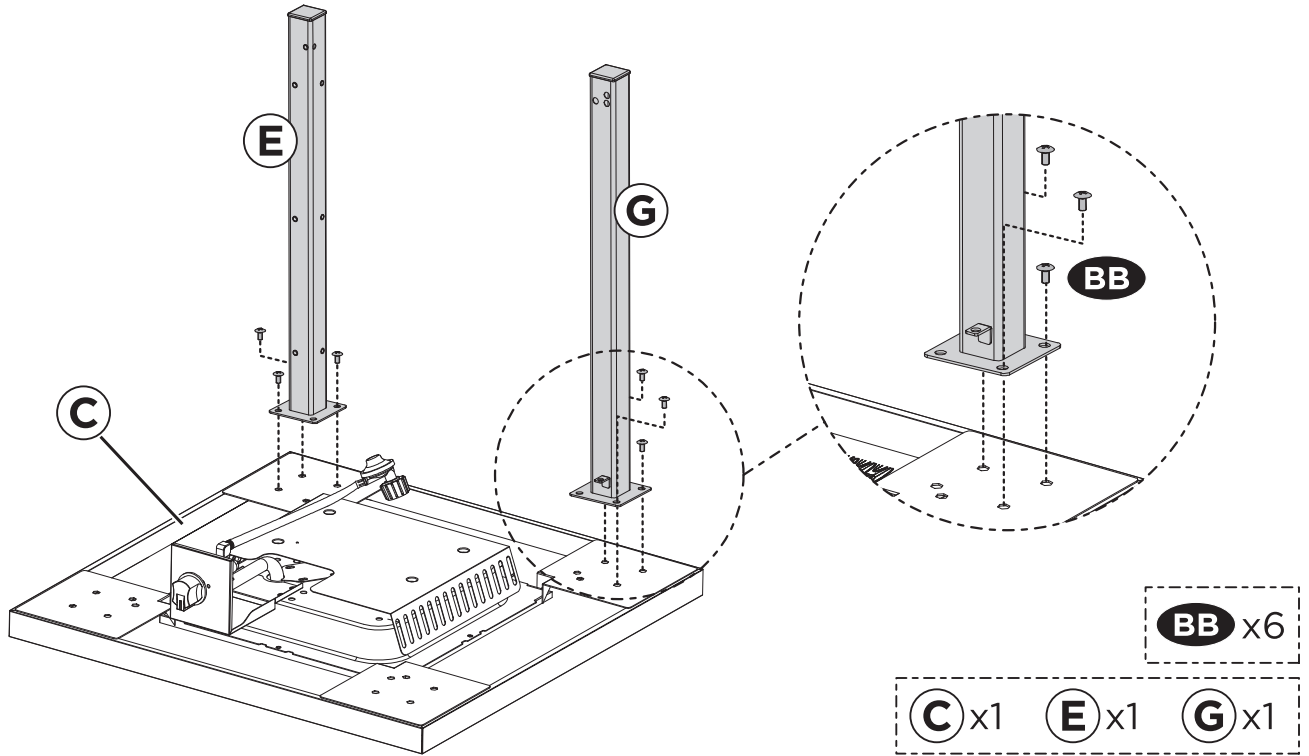
NO.	DESCRIPTION	QUANTITY
A	Cover Lid	1
B	Lava Rock	1
C	Table Top	1
D	Door Handle	1
E	Leg E	2
F	Side Panel [F]	2
G	Leg G	1

NO.	DESCRIPTION	QUANTITY
H	Door Connector	1
I	Door	1
J	Leg J (Door with magnet)	1
K	Side Panel [K]	1
L	Cylinder Holder Pole	2
M	Cylinder Holder	1
N	Cylinder Locking Knob	1

# Assembling the table

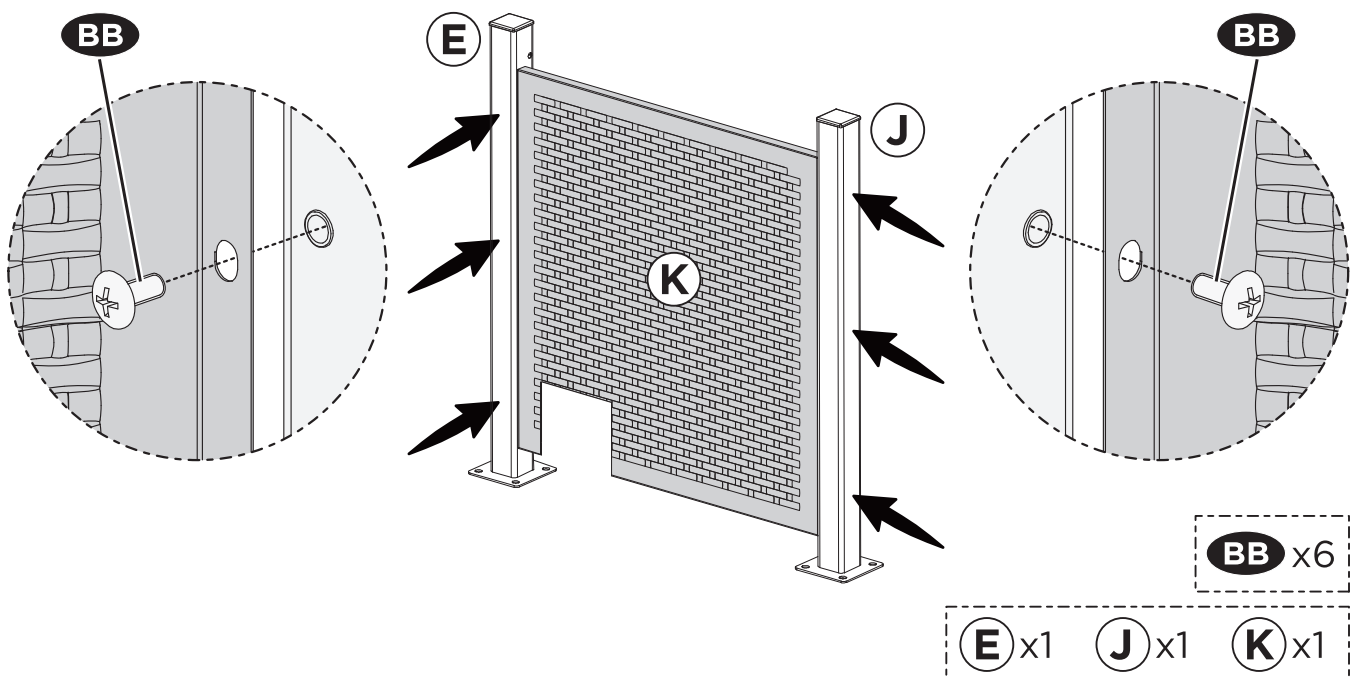
## STEP 1

Attach 1 Leg [E] and 1 Leg [G] to the table top [C] opposite the control knob, with 6pcs M6X12mm bolts [BB].



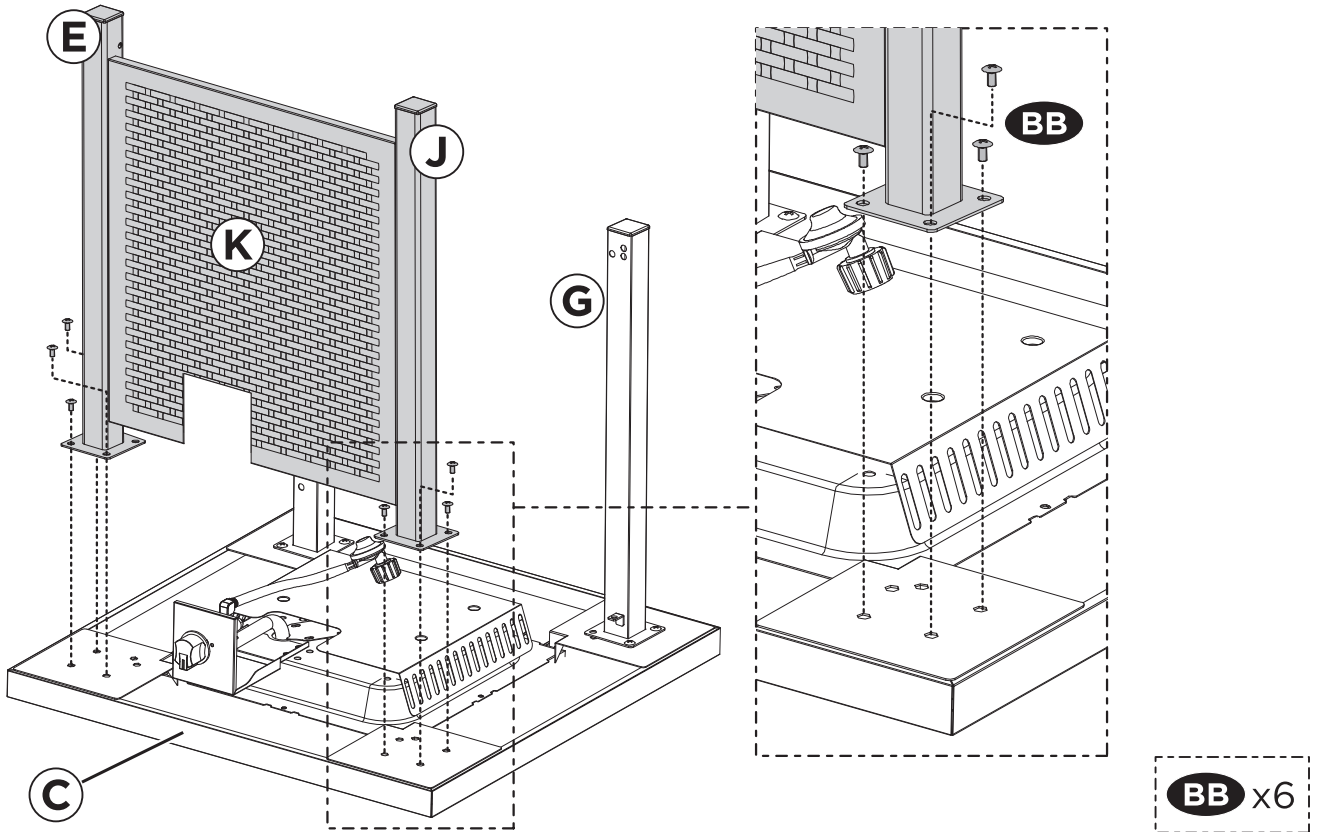
## STEP 2

Attach Leg [E] and leg [J] to the sides of panel [K] with 6pcs M6X12mm bolts [BB].



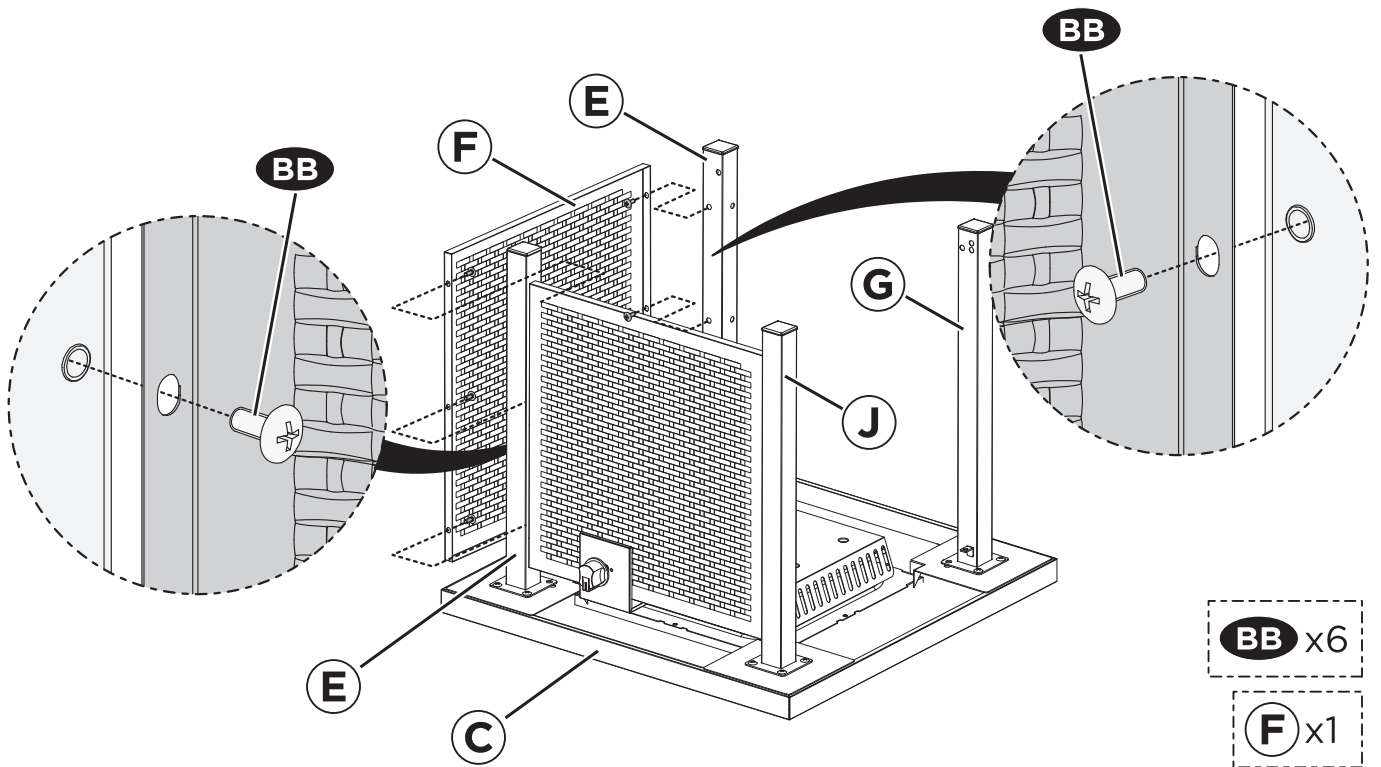
### STEP 3

Attach the panel with Legs (in Step 2) to the **control knob side** of the table top [C] with 6pcs M6X12mm bolts [BB].



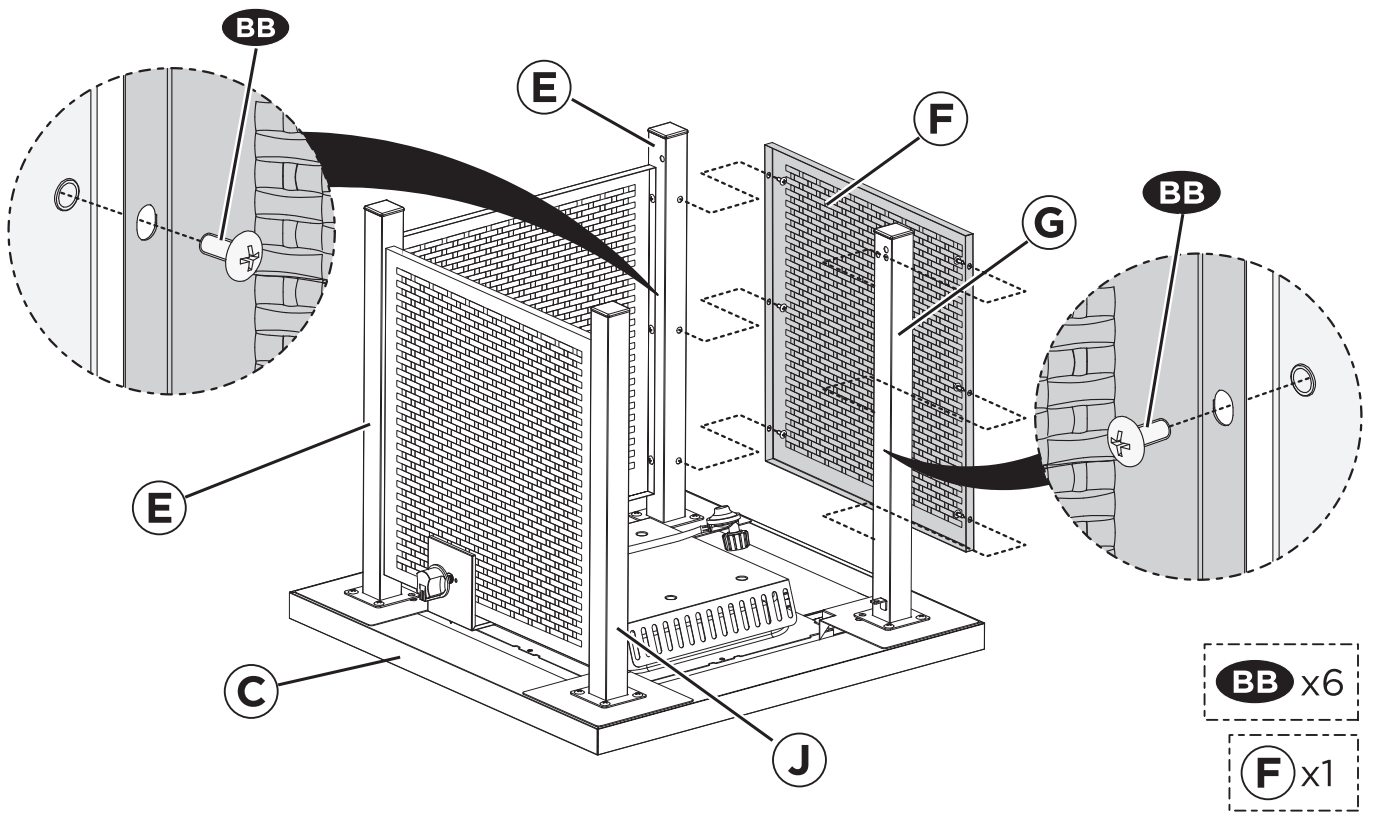
### STEP 4

Attach side panel [F] to leg [E] with 6pcs M6x12mm bolts [BB].



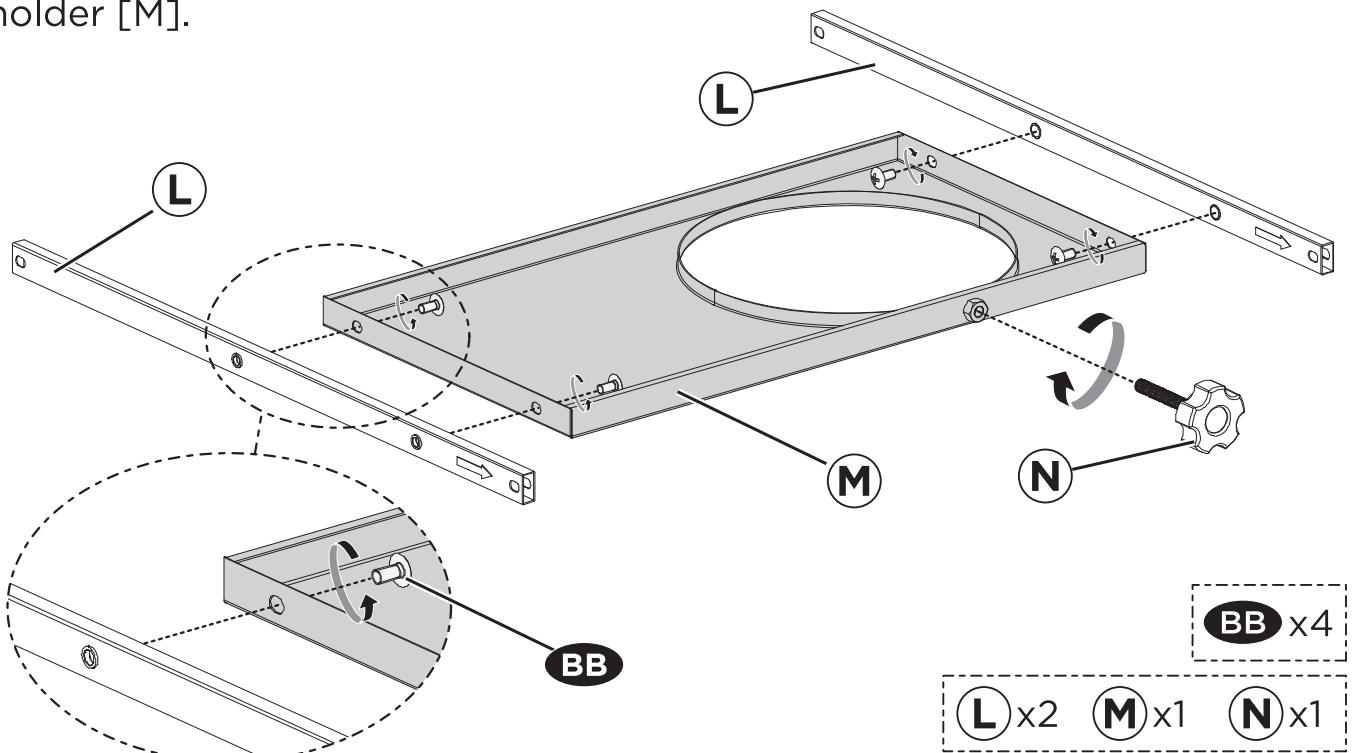
## STEP 5

Attach side panel [F] to leg [E] and leg [G] with 6pcs M6x12mm bolts [BB].



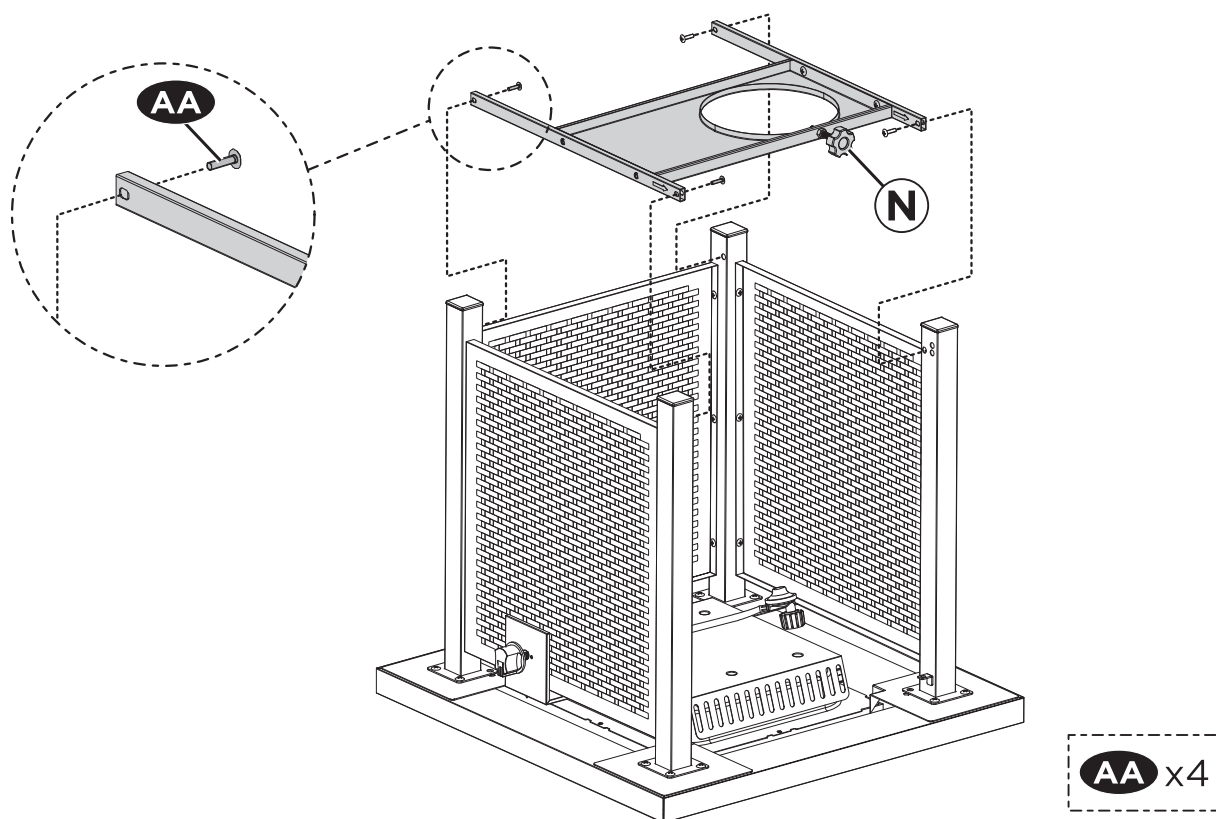
## STEP 6

Attach cylinder holder poles [L] to cylinder holder [M] with 4pcs M6x12mm bolts [BB]. Then screw cylinder locking knob [N] to cylinder holder [M].



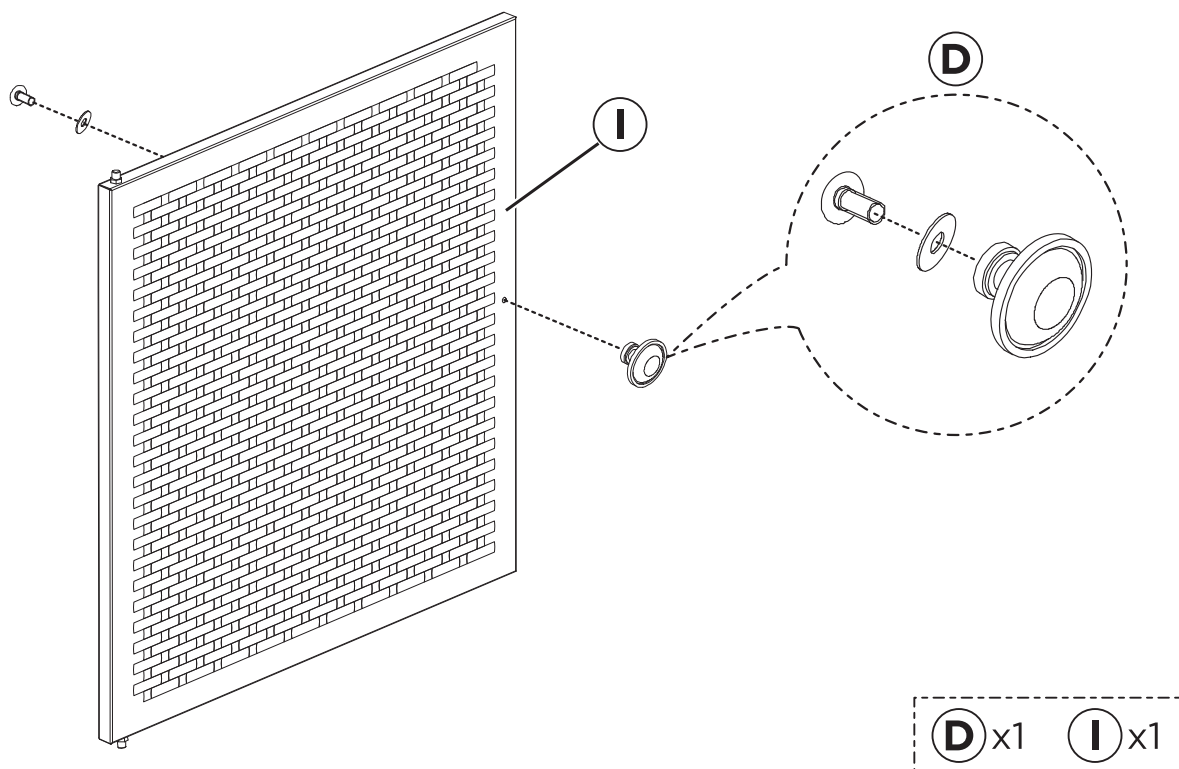
## STEP 7

Attach the cylinder holder assembly to 4 legs with 4pcs M6x25mm bolts [AA].  
**Note:** Make sure the cylinder locking bolt [N] plastic head is **facing outwards**.



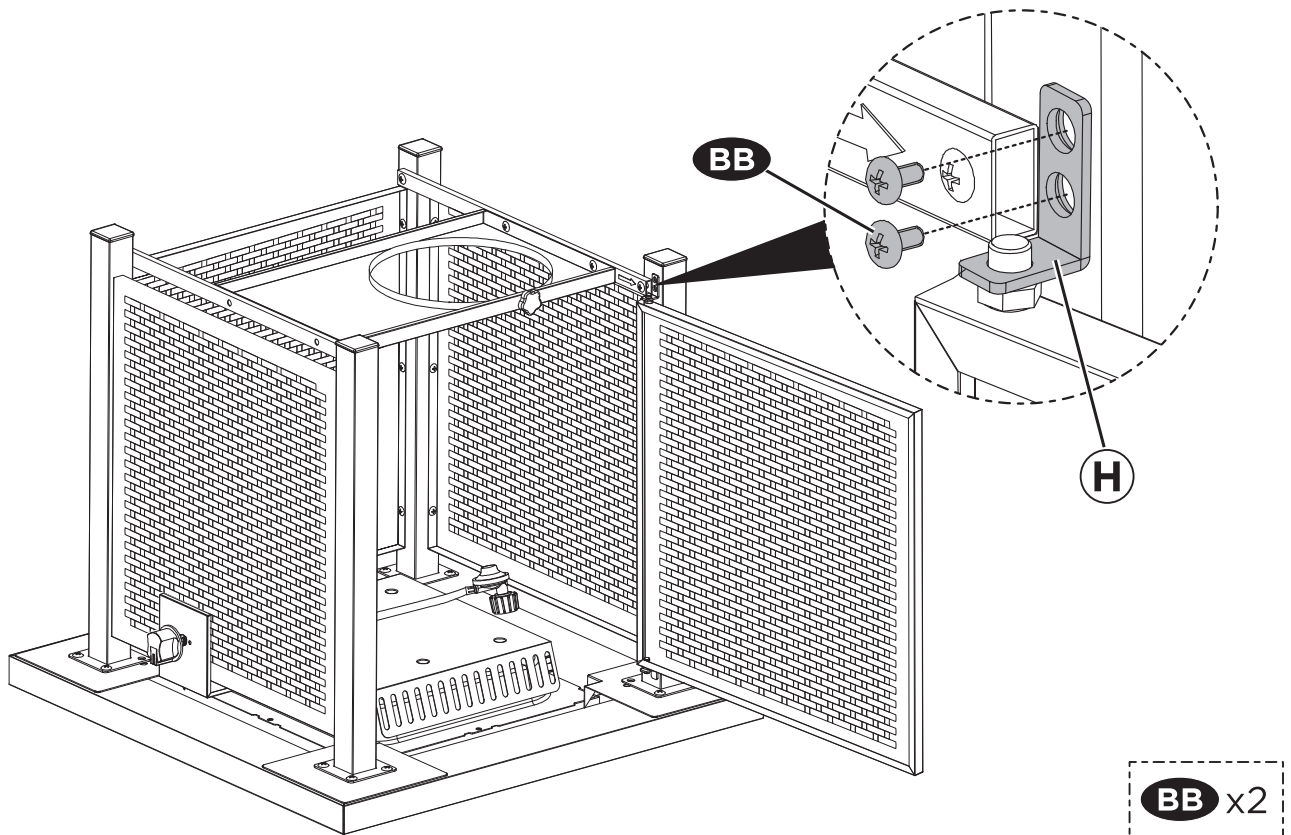
## STEP 8

Screw door handle [D] to door [I].



## STEP 9

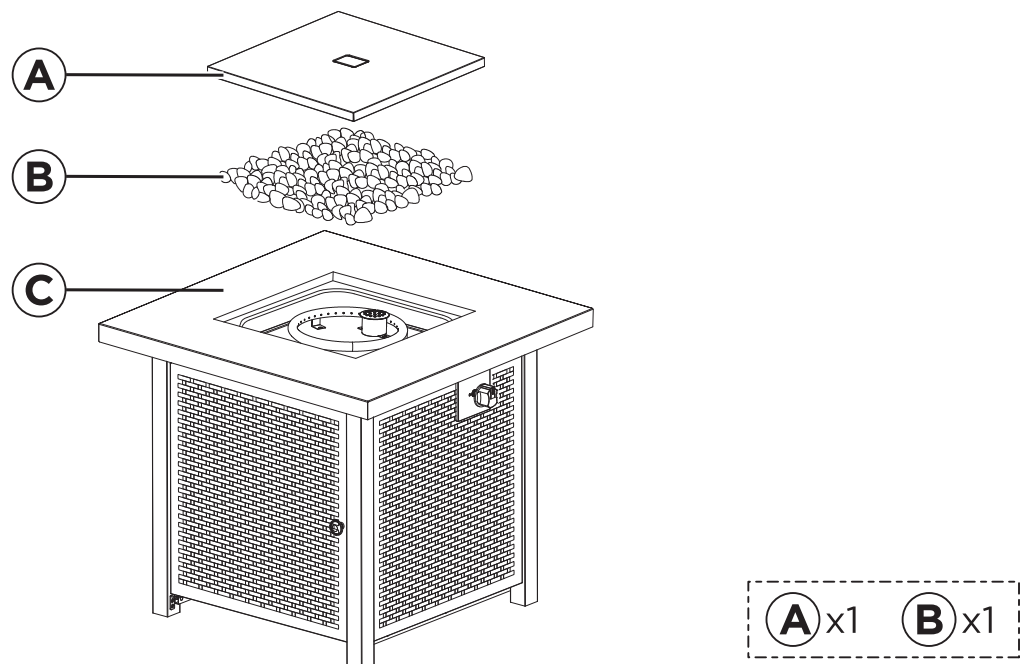
Attach door [I] to leg [G] with door connector [H] using 2pcs M6x12mm bolts [BB].



## STEP 10

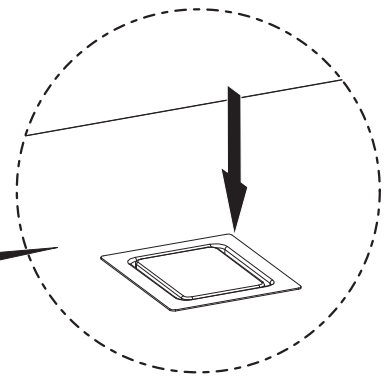
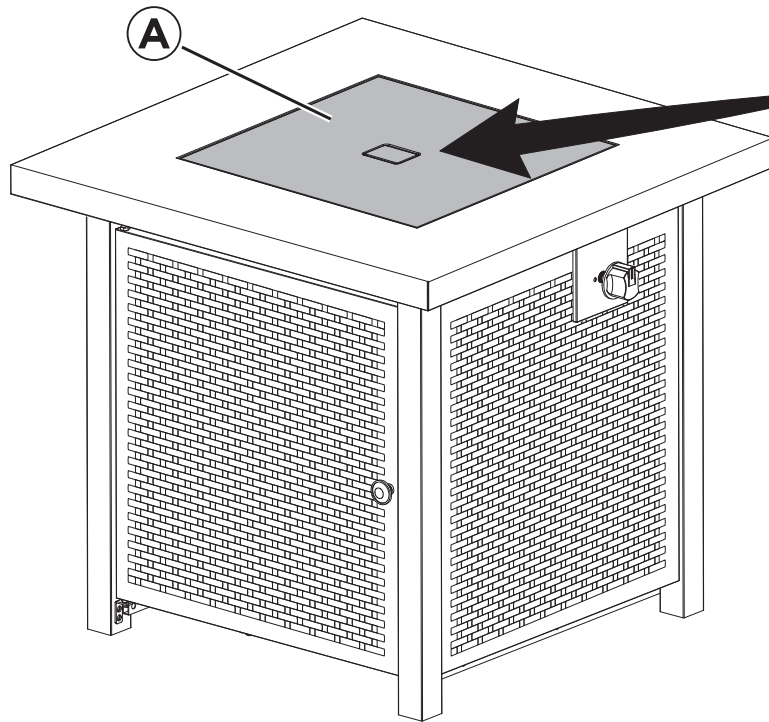
Pour the lava rocks [B] (max 8.8 lb) into the burner area of the table top [C]. Then place the cover lid [A] onto the table top [C].

**Note:** To avoid ignition failure, do not cover the flame orifice with lava rocks.

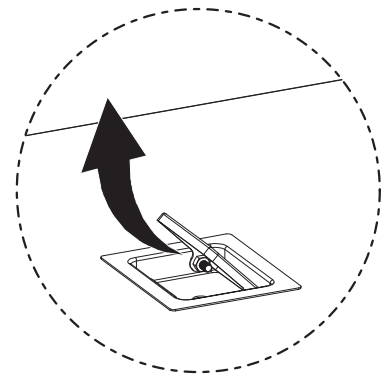


## STEP 11

Press of the handle, then lift it off.



Press the handle



Take the lid off

# GAS CYLINDER INSTALLATION AND CONNECTION

## Installation

Use two or more people for an easier installation.

## Location

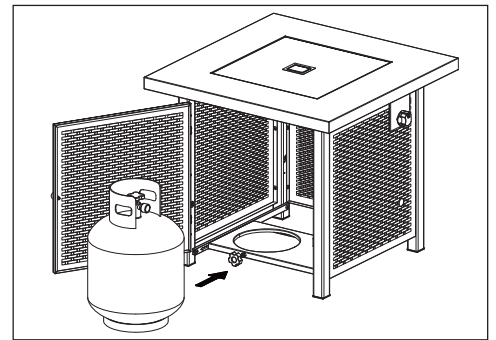
Your fire pit must be installed on a flat, stable surface, away from any combustible materials or construction.

## SET-UP

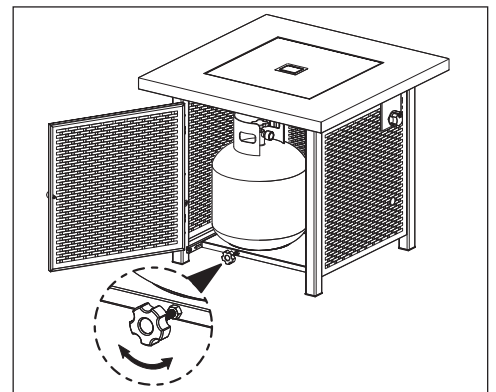
1. Place fire pit on a leveled, outdoor, non-combustible surface.

NOTE: Do not place the appliance on grass or dirt. This may prevent proper safety venting.

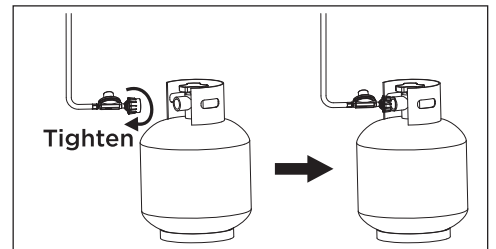
2. Open door [I] and place the gas cylinder in the holder assembly.



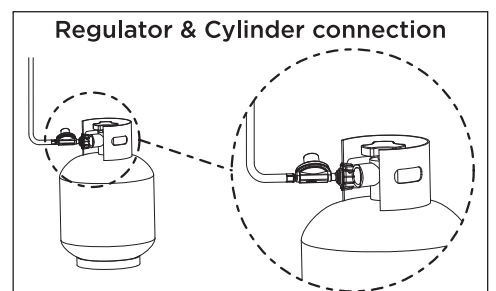
3. Turn the cylinder locking knob clockwise to secure the gas cylinder.



4. Attach regulator to gas cylinder and turn clockwise by hand.



5. Check your fire pit for leaks before use.



## Leak Check

Your gas fire pit has been checked at all connections at the factory for leakage.

In transportation and handling, some connections may have loosened. Follow these steps to check the hose/regulator/cylinder connections:

- 1) Make leakage solution by mixing 1 part liquid dish soap and 3 parts water
- 2) Spoon or brush several drops (or use a squirt bottle) of the solution onto the hose/regulator/gas cylinder connection.
- 3) Turn on the gas cylinder, then inspect the connections and look for bubbles.
- 4) If no bubbles appear, the connection is safe.
- 5) If bubbles appear, there is leakage. Loosen and re-tighten this connection. If there is still a leak, please call customer service at **877-546-8648**.

### **Note:**

- 1) The cylinder supply system must be arranged for vapor withdrawal.
- 2) The cylinder used must include a collar to protect the cylinder valve.

The hose assembly must be replaced prior to the appliance being put into operation if there is evidence of excessive abrasion or wear, or if the hose is damaged.

At least once a year, a complete inspection of the entire gas path components should be performed.

If there is a need to replace parts, proceed to leak test after reassembly (These procedures should be performed by a professional technician).

## CREATE A FIRE PIT SAFE ZONE

**CAUTION: WHEN CERTAIN MATERIALS OR ITEMS ARE LEFT ABOVE, BESIDE, OR UNDER THIS APPLIANCE WHILE IN USE, THEY WILL BE SUBJECTED TO RADIANT HEAT AND COULD BE SERIOUSLY DAMAGED.**

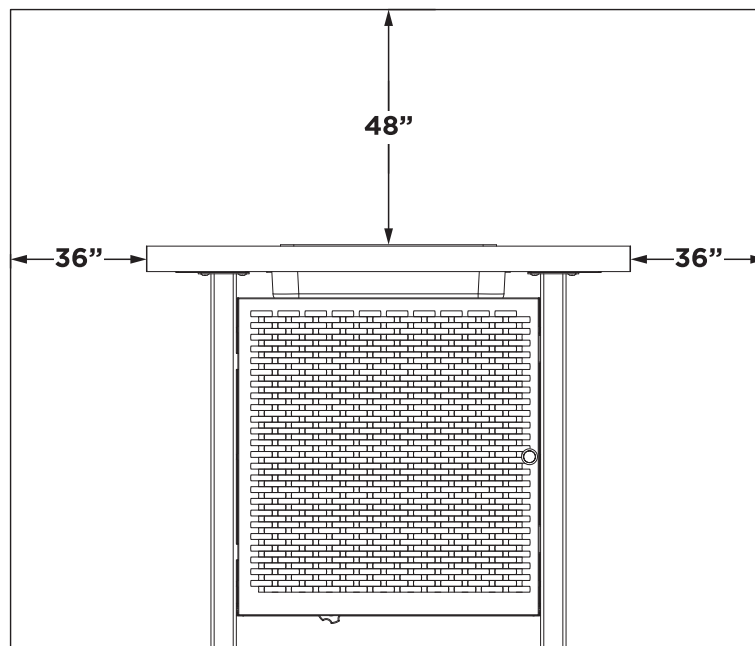
The gas fire pit is primarily used for the heating of outdoor patios, decks, spas, pools, and open working areas.

Always make sure that adequate fresh air ventilation is provided. Follow the spacing tolerances shown in the below figure.

The fire pit table must be placed on level, firm ground.

Never operate in an explosive atmosphere.

Keep away from areas where gasoline, other flammable liquids, or vapors are stored or used.



## HOW TO SAFELY START YOUR FIRE

**WARNING: DO NOT ATTEMPT TO OPERATE THE APPLIANCE UNTIL YOU HAVE READ AND UNDERSTAND ALL PRECAUTIONS. FAILURE TO DO SO MAY RESULT IN PROPERTY DAMAGE, SERIOUS INJURY, OR DEATH.**

### **WARNING!!!**

- Do not use an open flame to check for leakage.
- Do not smoke during testing.
- Do not test indoors.
- A leak check must be performed whenever the gas cylinder is replaced.

### **NOTE:**

Use only the pressure regulator supplied with this fire pit. Replace them with those specified by the manufacturer only.

### **Before turning the gas supply ON**

Your fire pit was designed and approved for **OUTDOOR USE ONLY**. **DO NOT** use it inside a building or any other enclosed area.

Make sure surrounding areas are free of combustible materials, gasoline, and other flammable vapors or liquids.

Ensure that there is no obstruction to the fire pit table air ventilation.

Be sure all the gas connections are tight and there are no leaks.

Be sure the access panel is clear of debris.

Be sure any component removed during assembly or servicing is replaced and fastened prior to starting.

### **WARNING**

#### **FOR YOUR SAFETY:**

If at any time you are unable to light the burner and smell gas, wait 5 minutes to allow gas to dissipate before attempting to light the gas appliance. If after 1 minute, you are unable to light the burner, wait 5 minutes and allow flammable vapors to dissipate before attempting to light the gas appliance.

### **WARNING**

#### **FOR YOUR SAFETY:**

**DO NOT** touch or move gas appliance for at least 45 minutes after use.

### **WARNING**

The lighting process should comply with the lighting instruction section improper lighting operations will cause serious injury and explosion.

## OPERATION

**WARNING: DO NOT ATTEMPT TO OPERATE THE APPLIANCE UNTIL YOU HAVE READ AND UNDERSTAND ALL PRECAUTIONS. FAILURE TO DO SO CAN RESULT IN PROPERTY DAMAGE, SERIOUS INJURY, OR DEATH.**

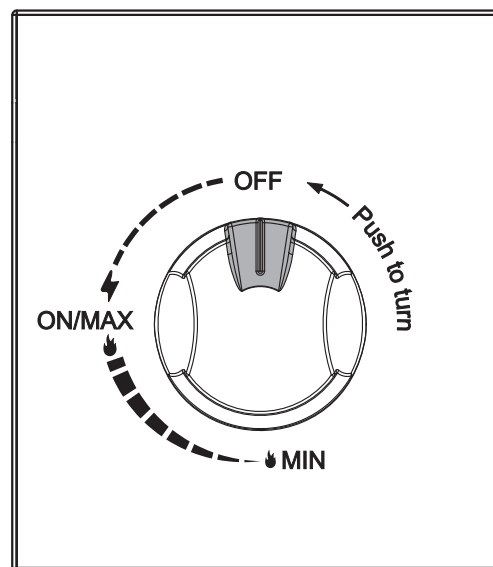
### Before Lighting

The gas fire pit should be thoroughly inspected before each use. And by a qualified service person once a year.

If relighting a hot gas fire pit, always wait at least 5 minutes.

### Lighting Instructions

1. Make sure the control knob is in the “OFF” position.
2. Turn the LP cylinder gas valve to the fully open position.
3. Press down the control knob and turn it counter clockwise to the “MAX” position, this will light the burner. (You will hear 1 clicking noise.)
4. If the burner is not lit immediately (within 5 seconds) press down the control knob and turn clockwise to the “OFF” position repeat step 3 after 5 minutes.
5. When the burner is lit, turn the control knob to desired heat output position between “MAX” and “MIN”.

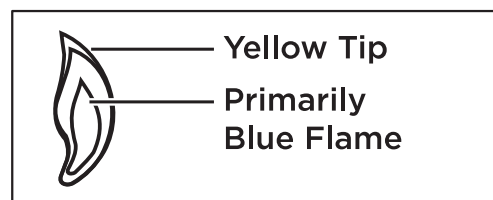


**OFF**

### Flame Characteristic

Normally the burner flame is yellow.

If the burner flame is blue and very small, please check the gas cylinder, as it may be in low gas pressure or empty. If there is enough gas in the cylinder, please contact customer service to change the burner of the gas fire pit.



If flames lift away from the burner or a backfire, or thick black smoke is generated, the fire pit should be turned off immediately. The fire pit should not be operated again until the unit is serviced and/or repaired by a qualified service technician.

**CAUTION: AVOID INHALING FUMES EMITTED FROM THE GAS APPLIANCE'S FIRST USE SMOKE AND ODOR FROM THE BURNING OF OILS USED IN MANUFACTURING WILL APPEAR BOTH SMOKE AND ODOR WILL DISSIPATE AFTER APPROXIMATELY 30 MINUTES. THE GAS APPLIANCE SHOULD NOT PRODUCE THICK BLACK SMOKE.**

### NOTE:

The burner may be noisy when initially turned on. To eliminate excessive noise from the burner, turn the control knob to the "MIN" position. Then, turn the knob to the level of heat desired.

### Re-light:

- 1) Turn the control knob to the "OFF" position.
- 2) Wait 5 minutes before attempting to relight the appliance.
- 3) Repeat steps beginning with step 3 of the lighting instruction on page 18.

### Shut down Instructions

- 1) Push in and turn the control knob clockwise to the "OFF" position.
- 2) Turn the LP cylinder gas valve clockwise to the "OFF" position when the appliance is not in use.

### The Event of Gas Leakage

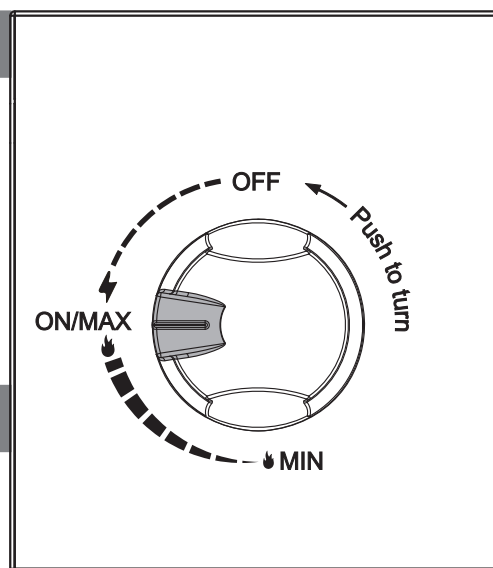
- 1) Turn the control knob to the "OFF" position.
- 2) Turn the LP cylinder valve to the "OFF" position.
- 3) Wait 5 minutes to allow the gas to disappear.
- 4) If the odor continues, immediately call gas supplier.

### Check the Operation Pressure

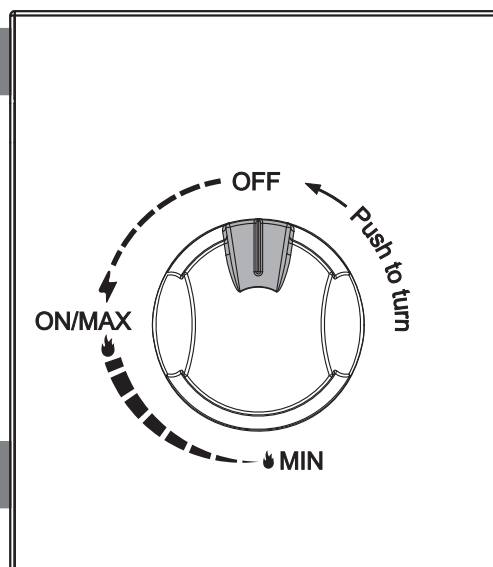
If the flame is very small, this is because the supply pressure is not enough. Please refill the gas cylinder.

**WARNING: The gas appliance will be hot after use.**

**Handle with extreme care.**



**IGNITION**



**OFF**

# MAINTENANCE AND STORAGE

## CLEANING AND MAINTENANCE

To enjoy years of outstanding performance from your gas fire pit, make sure you perform the following maintenance activities on a regular basis:

- Keep exterior surfaces clean.
- Use warm soapy water for cleaning. Never use flammable or corrosive cleaning agents.
- While washing your unit, be sure to keep the area around the burner dry at all times, if the gas control is exposed to water in any way, do NOT try to use it. It must be replaced.
- Keep the appliance area free and clean from combustible materials, gasoline, and other flammable vapors liquids; do not obstruct the flow of combustion and ventilation air; keep the ventilation opening(s) of the cylinder enclosure free and clear from debris.
- Check if there are cracks or worn sections on the hose. If yes, please call our customer service to replace the hose.
- At least once a year the unit should be inspected for the presence of spiders, spider webs, or other insects.
- Air flow must be unobstructed. Keep controls, burner and circulating air passageways clean. Signs of possible blockage include:
  - The gas fire pit does NOT reach the desired temperature.
  - The gas fire pit glow is excessively uneven.
  - The gas fire pit makes popping noises.
- Spiders and insects can nest in burners or orifices. This dangerous condition can damage the gas fire pit and render it unsafe for use. Clean burner holes by using a heavy-duty pipe cleaner. Compressed air may help to clear away smaller particles.
- Store the fire pit indoors during the winter if it will be subjected to freezing temperatures.
- Disconnect and remove the cylinder from the appliance before the appliance can be stored indoors.

## STORAGE

- Turn the control knob to the “OFF” position.
- Turn the LP cylinder to the “OFF” position.
- Allow at least 45 minutes for the fire pit to cool down after use then disconnect and remove the cylinder.
- Cylinder must be stored outdoors in a well-ventilated area out of the reach of children. When the cylinder is disconnected, tightly install the threaded valve plugs, and do not store it in a building, garage, or any other closed area.
- You may store product indoors ONLY if the cylinder is disconnected and removed.
- Keep the fire pit area clear and free from combustible materials gasoline and other flammable vapors and liquids.
- If you do not use a cover, store this outdoor fire pit in a dry location to maximize product life.
- Store the gas fire pit in an area sheltered from direct contact with inclement weather (such as rain, hail, snow, dust and debris).
- A qualified service person should install and repair the fire pit and inspect it annually.
- It might be necessary to clean this fire pit frequently. You must keep the control compartment, burner and circulating air passageways clean.

## FAQ

<b>PROBLEM OBSERVED</b>	<b>POSSIBLE CAUSE</b>	<b>CORRECTIVE MEASURES</b>
Gas odor	Gas leak	Check all gas connections
Delayed ignition	Low gas pressure. Clogged or dirty burner ports.	Check gas supply pressure. Clean burner parts -see manual. “CLEANING AND MAINTENANCE” section.
Incorrect burner flame	Incorrect gas supply or pressure. Clogged or dirty burner ports.	Check gas supply pressure. Clean burner parts.
Ignition failure	The distance between electrode ignition pin and flame orifice is too far	Adjust the distance to 5/32 in - 13/64 in (4-5mm)

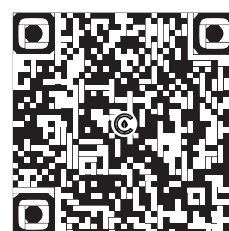
# Thank you again for choosing this product!

Thank you for choosing CIAYS's fire pit table! We strive to provide you with the best quality products and services in the industry. Should you have any issues, please don't hesitate to contact us at

**Technical Support:** 877-546-8648 Mon-Fri 8am - 8pm(CST)

**Other Info:** support@ciays.com  @CiaysOfficial

Made in China



<https://www.facebook.com/CiaysOfficial>