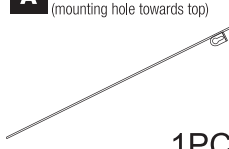
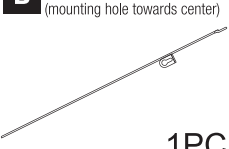
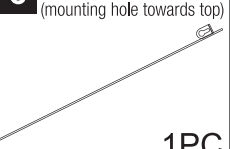
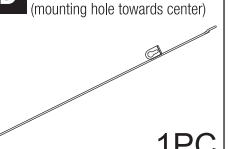
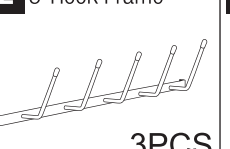

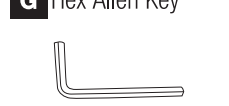
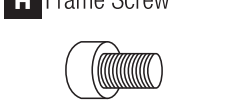




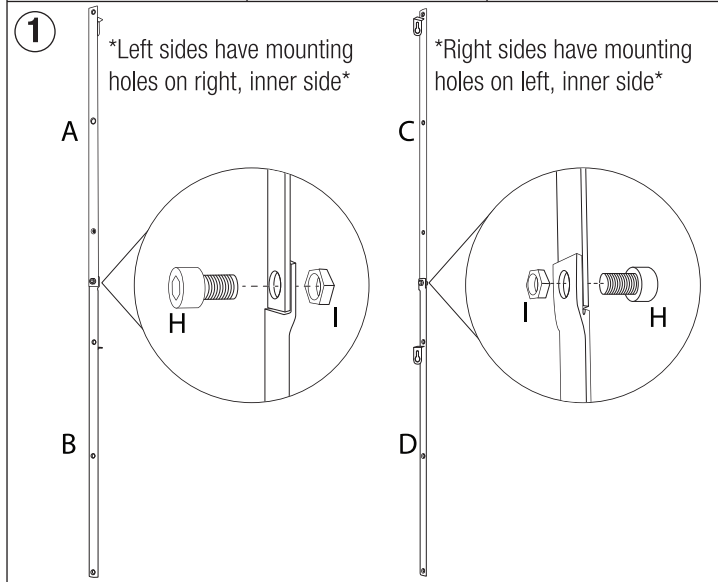
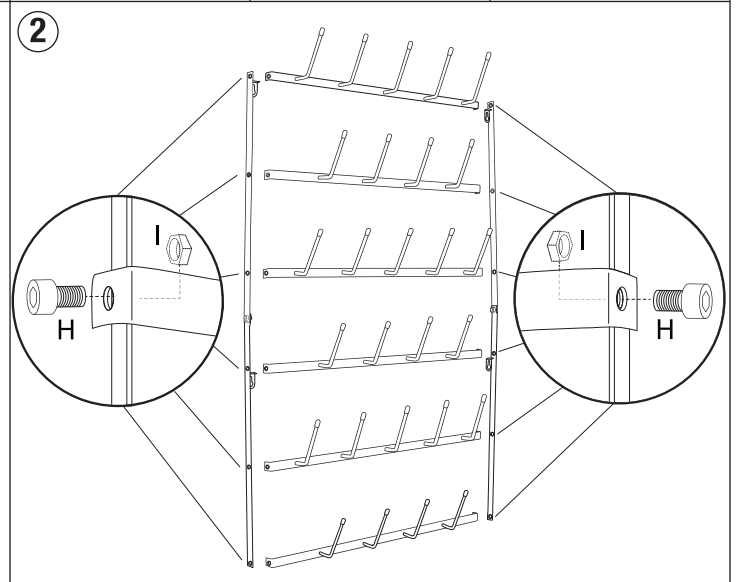


Package Contents:

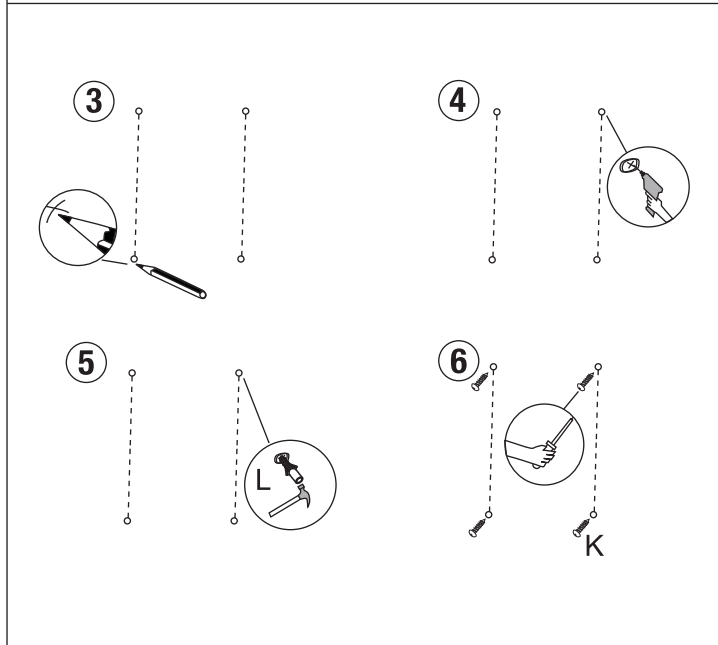
A Top Left Frame (mounting hole towards top)  1PC	B Bottom Left Frame (mounting hole towards center)  1PC	C Top Right Frame (mounting hole towards top)  1PC	D Bottom Right Frame (mounting hole towards center)  1PC	E 5-Hook Frame  3PCS	F 4-Hook Frame  3PCS
G Hex Allen Key  1PC	H Frame Screw  20PCS	I Hex Nut  20PCS	J Hex Wrench  1PC	K Mounting Screw  5PCS Includes: 1 spare screw	L Wall Anchor  5PCS Includes: 1 spare anchor



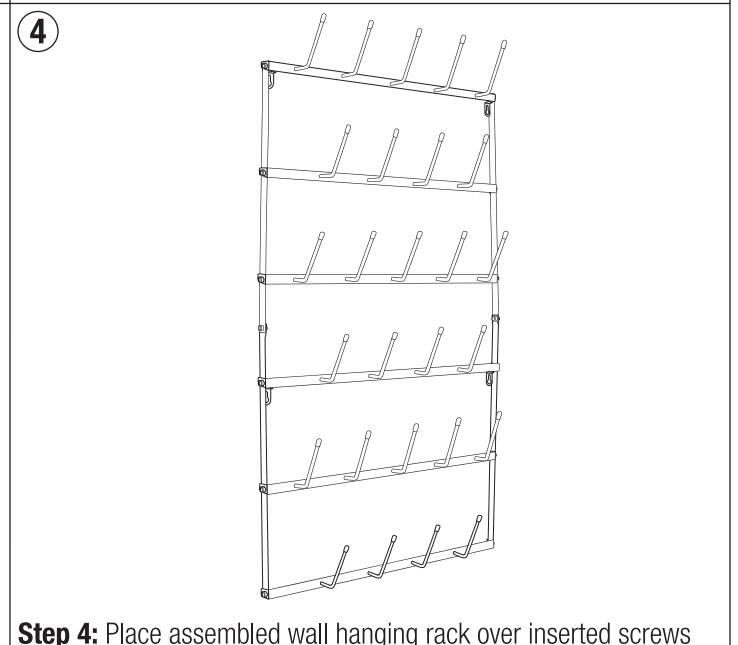
Step 1: Combine frames (A) & (B) along with (C) & (D) by inserting screw (H) through the outside end and securing with hex nut (I) from the other end. **Use Hex Wrench (J) to hold hex nut in place while using hex allen key (G) to tighten screw.**



Step 2: Depending on your preference, attach either the 4 or 5 hook frame (E)/(F) to the combined side frames by entering a screw (H) from the outside and securing with a hex nut (I) from the inside. Like step 1, use the hex wrench (J) & hex allen key (G) accordingly.



Step 3-6: Mark areas for installation, drill holes, place wall anchors (L) into holes, and insert mounting screws (K) into wall anchors.



Step 4: Place assembled wall hanging rack over inserted screws and slide down into position. Make sure wall hanging rack is secure before use. Add your favorite decorative item(s) and enjoy!