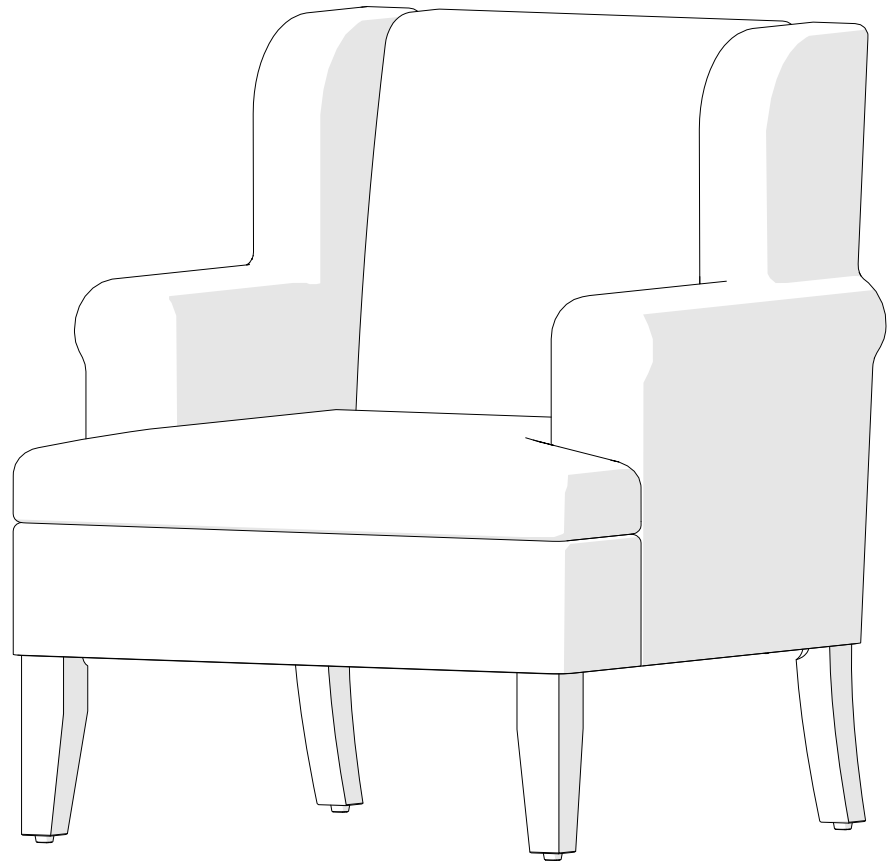


# ASSEMBLY INSTRUCTION



# table of contents



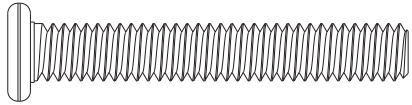
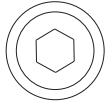
introduction	2
hardware	4
parts list	5
assembly	6 - 8

# hardware

---

(A) x 8

5/16" x 50mm  
round hex screw



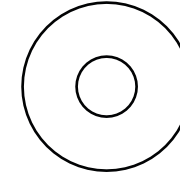
(B) x 8

Φ 8mm lock washer



(C) x 8

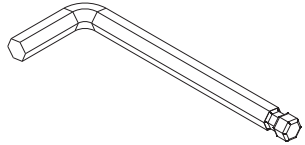
Φ 22mm flat washer



---

(D) x 1

5mm Ball end  
Hex wrench

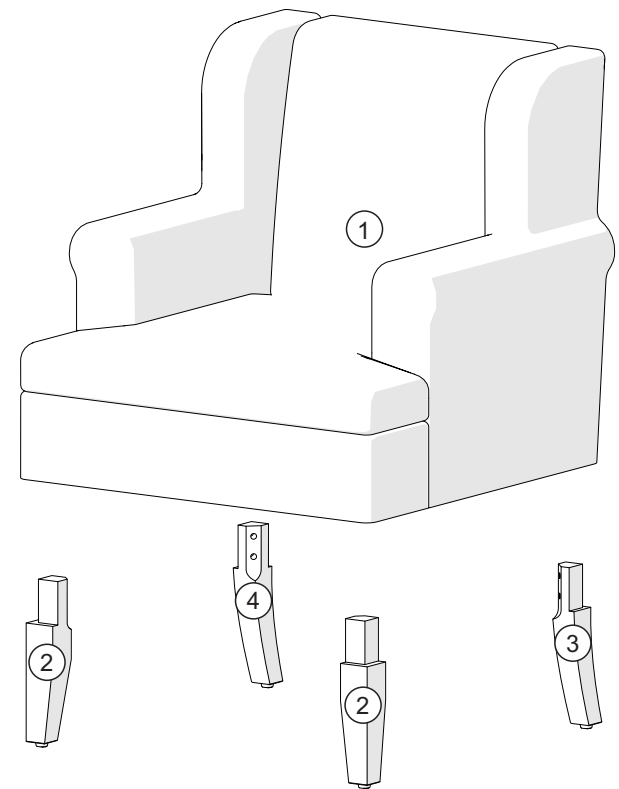
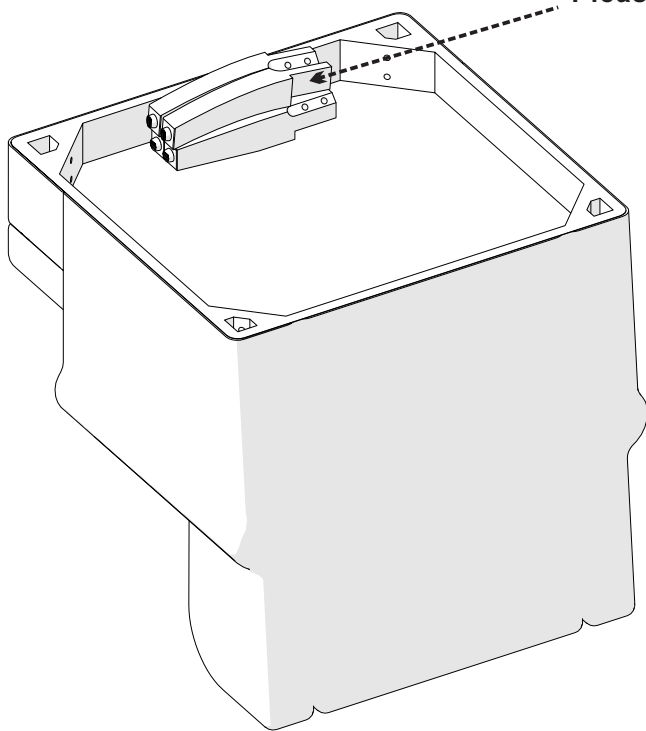


ITEM DESCRIPTION QUANTITY

.....

①	chair cushion	1
②	front leg	2
③	right back leg	1
④	left back leg	1

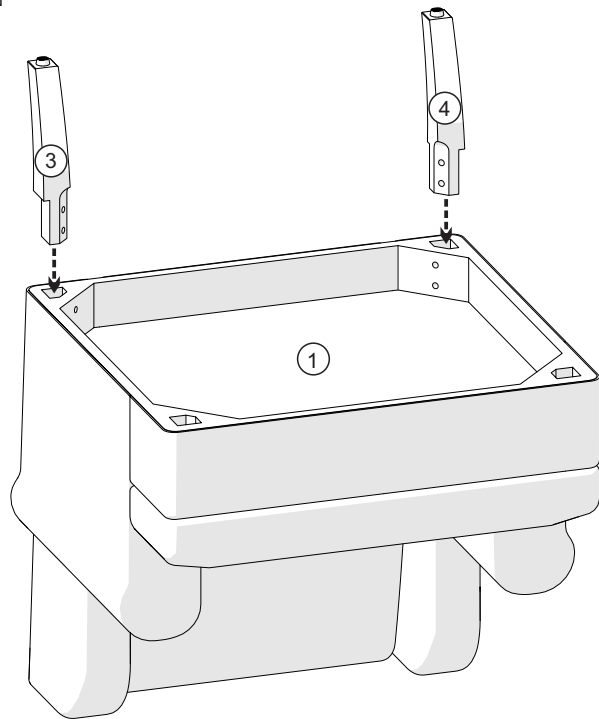
Chair legs and hardware are under the seat.  
Please tear open the Velcro to retrieve the parts.



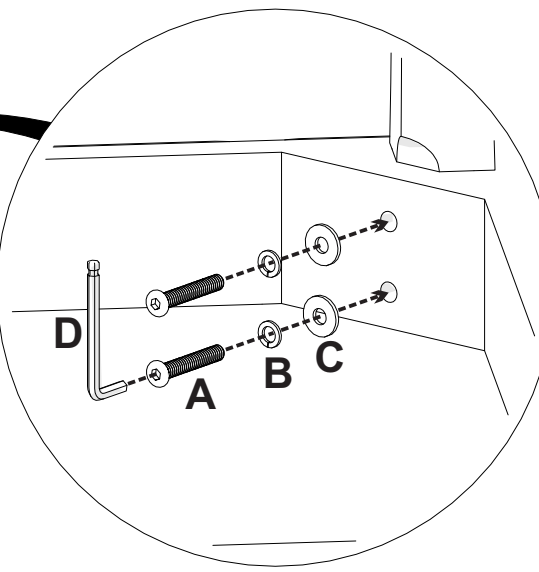
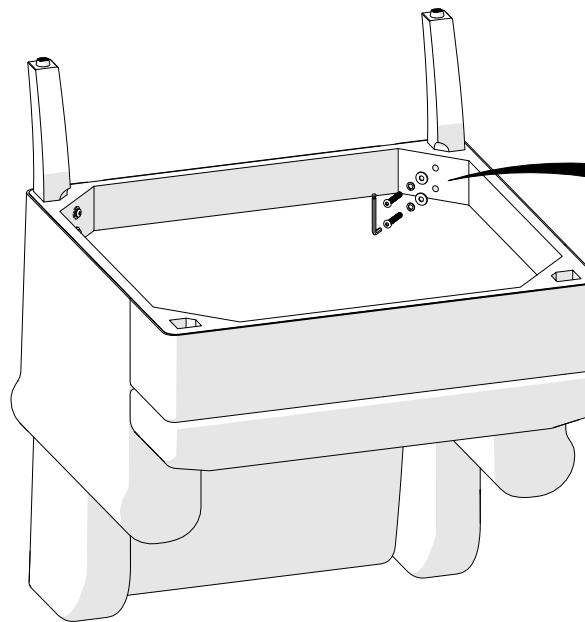
# step 1.

---

1



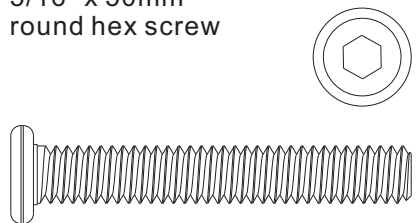
2



---

(A) x 4

5/16" x 50mm  
round hex screw



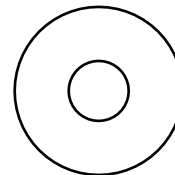
(B) x 4

Φ 8mm lock washer



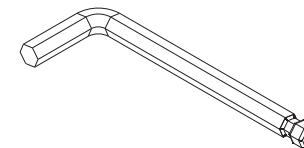
(C) x 4

Φ 22mm flat washer



(D) x 1

5mm Ball end  
Hex wrench

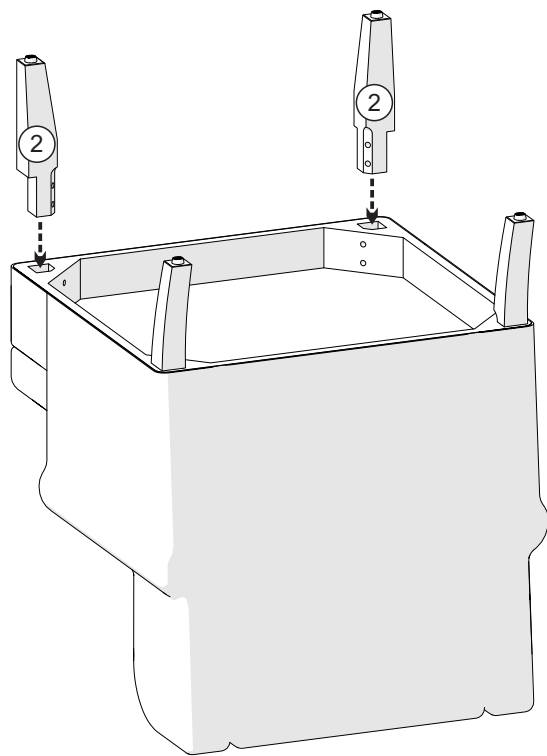


Please do not assemble with power tools

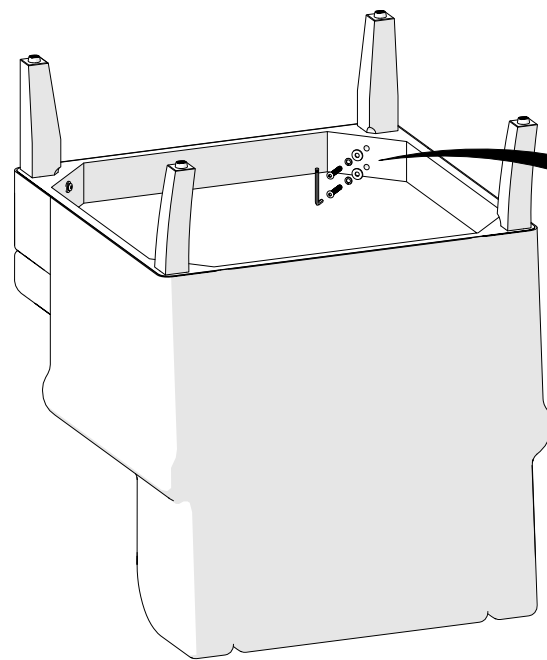
# step 2.

---

1

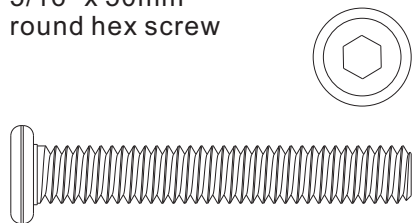


2



(A) x 4

5/16" x 50mm  
round hex screw



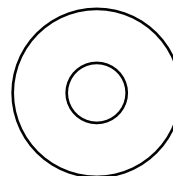
(B) x 4

Φ 8mm lock washer



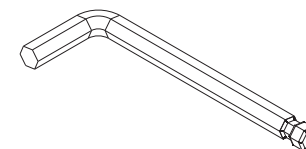
(C) x 4

Φ 22mm flat washer



(D) x 1

5mm Ball end  
Hex wrench



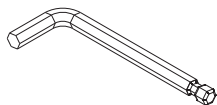
Please do not assemble with power tools

## step 3.

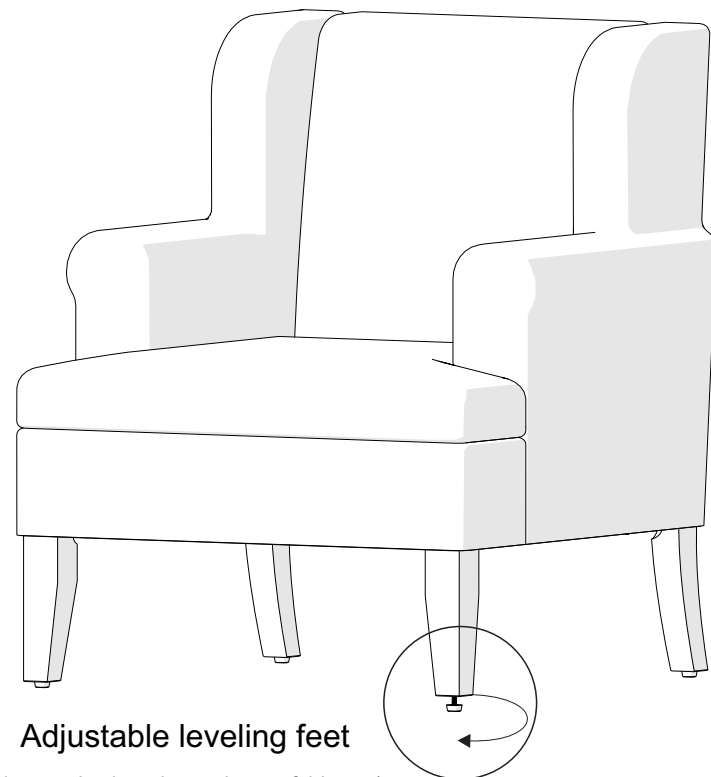
---

A friendly reminder from us:

Please keep the Allen wrench.



After a period of time, there may be a chance the KD furniture may become loose, please use an Allen wrench to tighten the loose bolts.



---

Level the furniture, use leveling feet if needed.