



# BARN LIGHT ELECTRIC COMPANY

## INSTALLATION INSTRUCTIONS WALL MOUNT VANITY FIXTURES

Thank you for purchasing from Barn Light Electric, America's leading manufacturer of hand-crafted shades and exclusive source for porcelain enamel lighting! For questions or concerns about your purchase, please contact us!

INS-0013 REV O (HWK-0009)

### IMPORTANT

Read all instructions before assembly. Installation is to be done by a qualified professional. **For wet locations, junction between the mounting surface and luminaire must be sealed with caulking.**

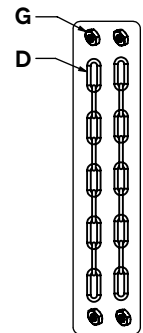
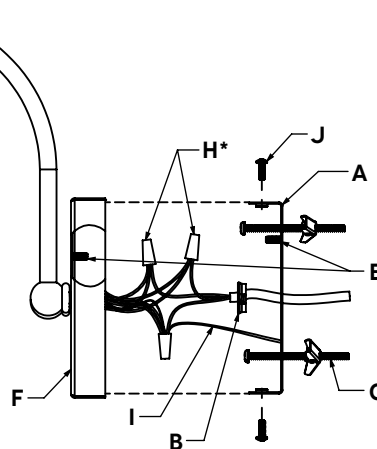
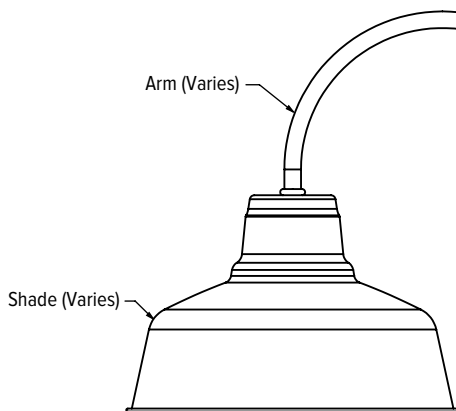
**CAUTION:** Risk of fire, this product must be installed in accordance with the applicable installation code by a person familiar with the construction and operation of the product and the hazards involved.

### INSTRUCTIONS

1. Disconnect power at the electrical panel before installation.
2. Knock out the hole tab on back plate (A) and install grommet (B).
3. Feed the Power Supply Wires through the grommet (B) in the back plate (A). Align hole in back plate (A) with hole in wall and mount back plate (A) to wall using the four toggle bolts (C) included.
4. For ease of assembly, attach installation cables/chains (D) to the four installed studs (E) on front (F) and back (A) plates using nuts (G) (if applicable).
5. While the fixture/front plate (F) hangs, use wire nut (H) to connect the black wires from each light with the power supply.
6. Use wire nut (H) to connect the white wires from each light with the neutral wire from Power Supply. **NOTE: Wire nuts (H) not included.**
7. Use wire nut (H) to connect the Ground Wire (I) that is attached to the Back Plate (A) to the ground from the power supply wiring. **NOTE: Wire nuts (H) not included.**
8. Fit the front plate (F) over the back plate (A), ensuring that all wire connections are hidden and not being pinched.
9. Fasten the plates together with the machine screws (J) provided.

### WALL MOUNT VANITY FIXTURES

- A. Back Plate
- B. Grommet
- C. Toggle Bolts (x4)
- D. Cables/Chains
- E. Studs
- F. Front Plate
- G. Nuts
- H. Wire Nuts
- I. Ground Wire
- J. Machine Screws

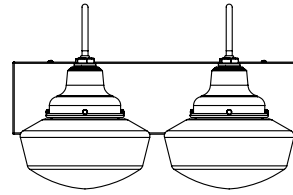


Attach to studs for ease of assembly & wiring

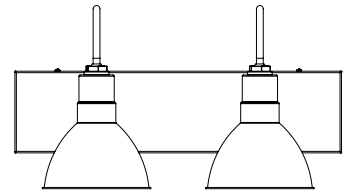
**\*IMPORTANT:** Wire nuts not included in hardware kit.

### ALTERNATE FIXTURES

Although the illustration below includes an RLM shade, these alternative fixtures follow the same installation instructions.



Primary 2-Light  
Schoolhouse Vanity Light



Wesco 2-Light  
Vanity Sconce

### WIRING DIAGRAM

