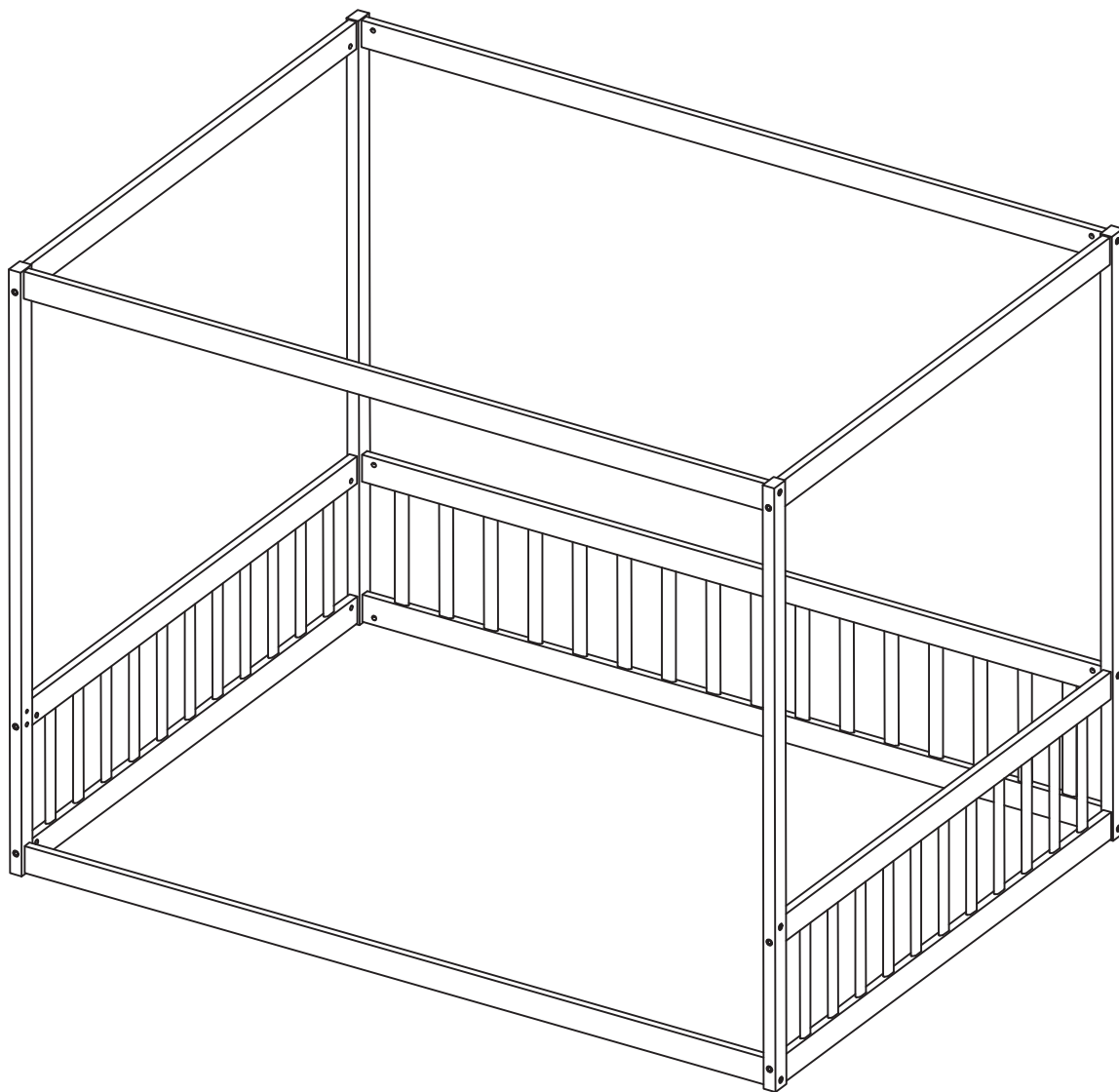
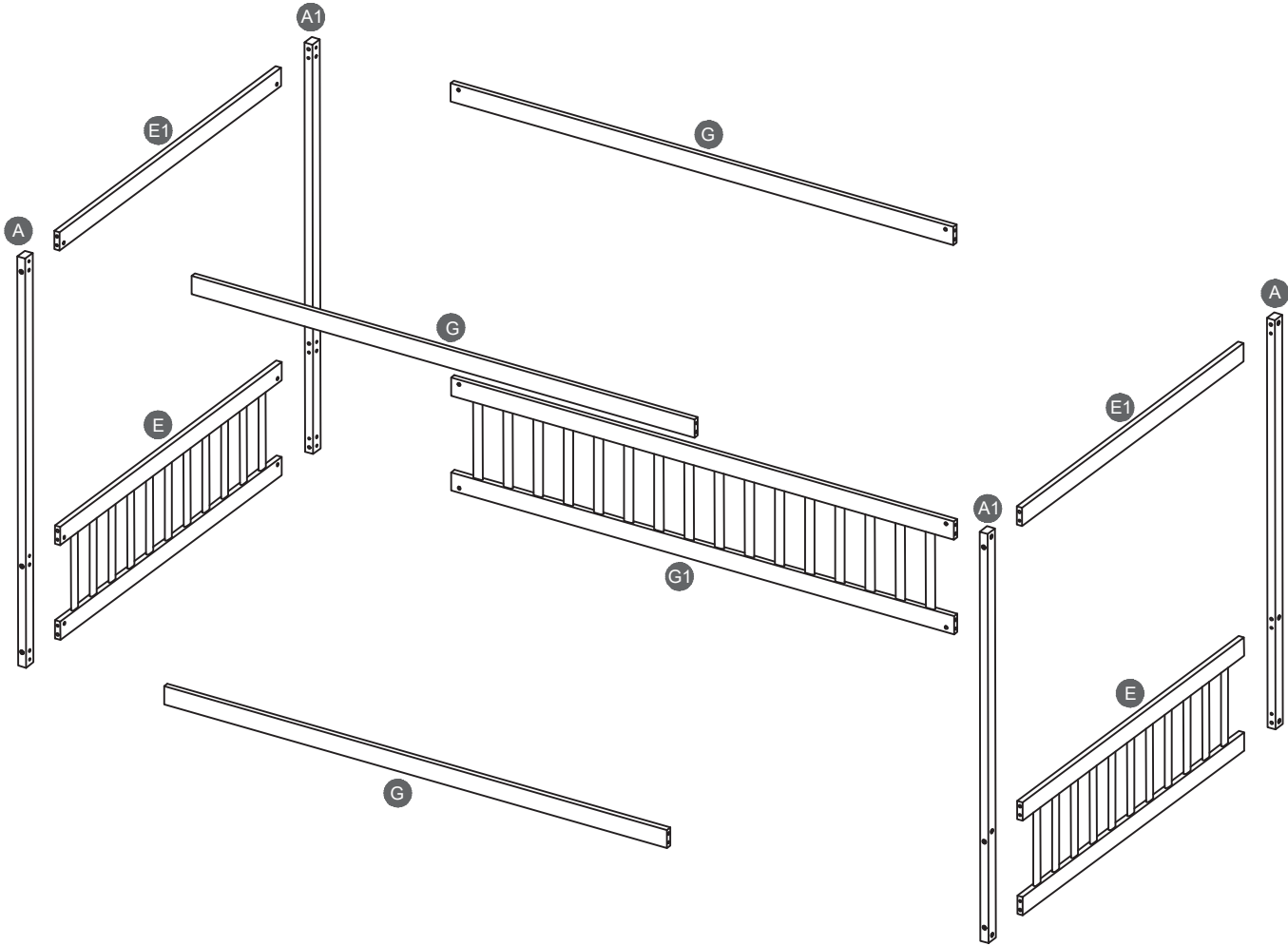


ASSEMBLY INSTRUCTIONS

FULL CANOPY FRAME FLOOR BED

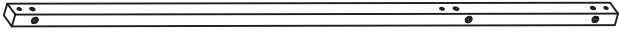


Detail View



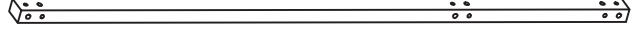
Part List

A



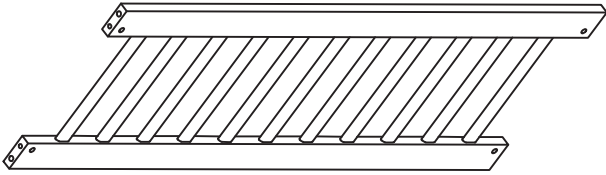
Leg - 2pcs

A1



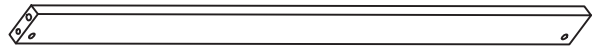
Leg - 2pcs

E



Hb. Fb. Panel - 2pcs

E1



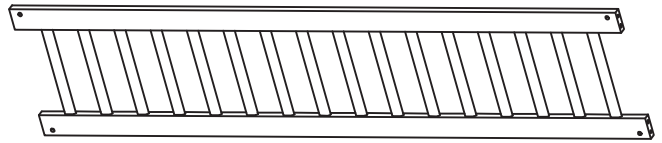
Hb. Fb. Top Panel - 2pcs

G





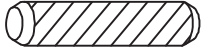
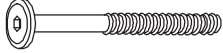


Side Rail Front & Guardrail Upper - 3pcs

G1

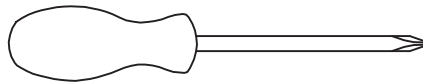


Side Rail Back - 1pc

Hardware List




1  M6 x 80mm JCBC (12pcs)	2  M6 x 15mm Barrel Nut (22pcs)	3  M10 x 40mm Wood Dowel (22pcs)
4  M6 x 70mm JCBC (10pcs)	5  Sticker Cap (6pcs)	6  M4 Allen Key (1pc)

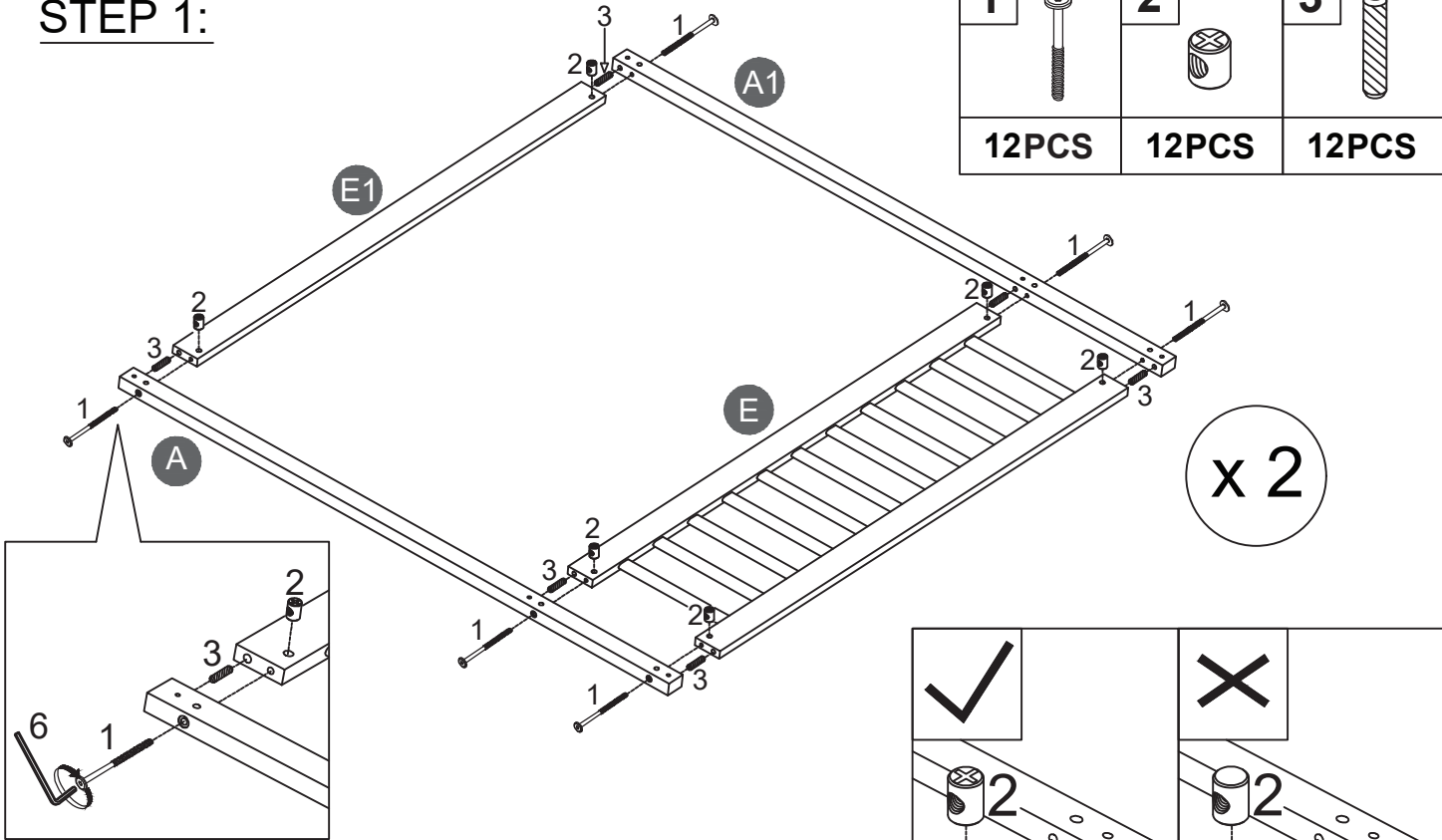
ASSEMBLY TOOLS REQUIRED (NOT INCLUDED)



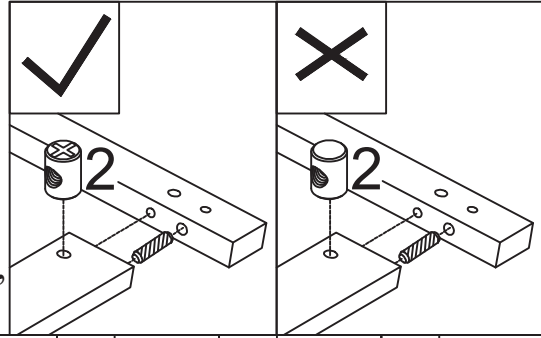
PLEASE BE CAREFUL DO NOT DAMAGE THE HOLE POSITION WHEN YOU USE POWER TOOLS !

STEP 1:





1		2		3	
12PCS		12PCS		12PCS	

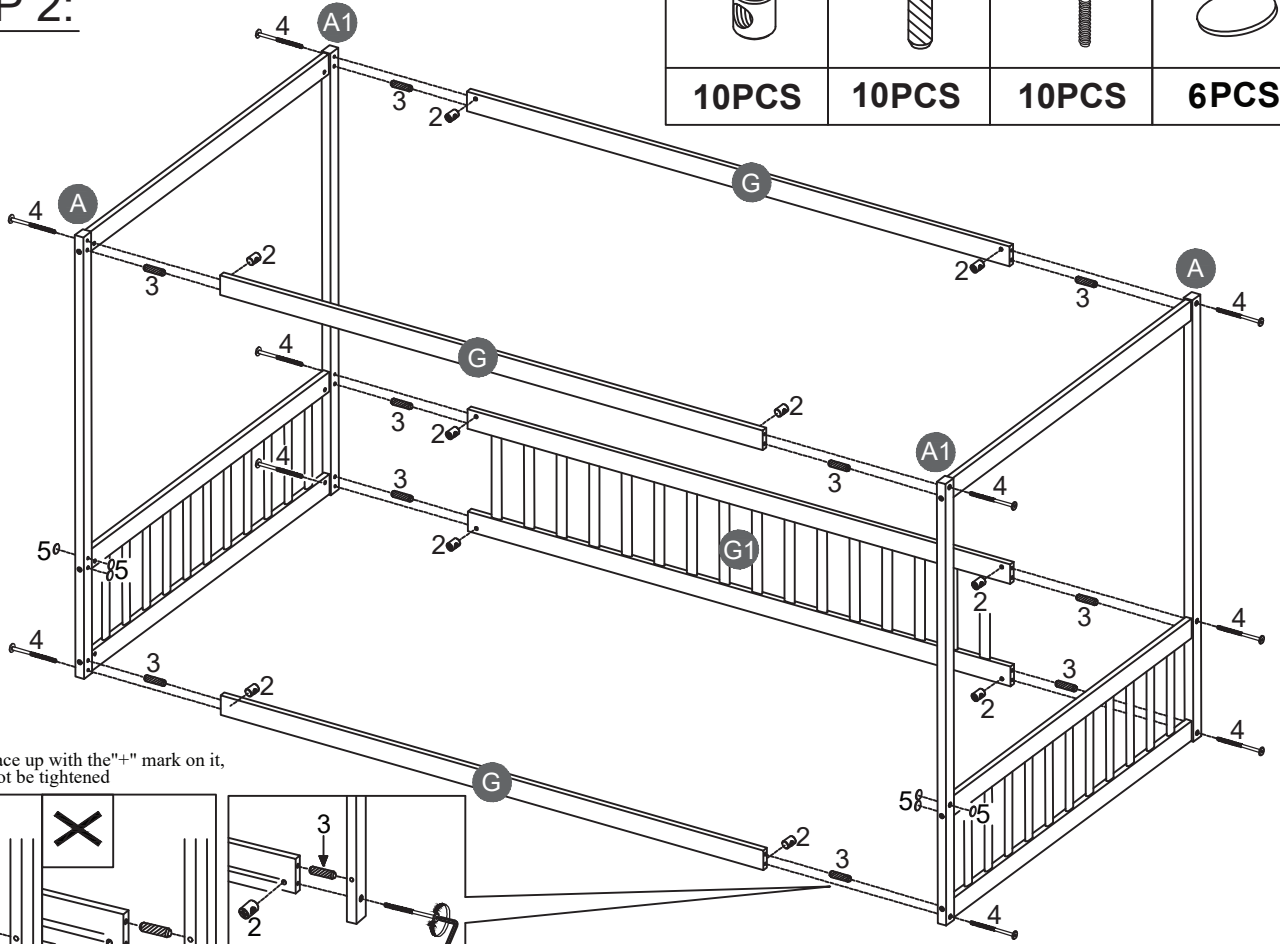


Note: Part 2 will face up with the "+" mark on it, otherwise it cannot be tightened



STEP 2:

2		3		4		5	
10PCS		10PCS		10PCS		6PCS	



Note: Part 2 will face up with the "+" mark on it, otherwise it cannot be tightened

