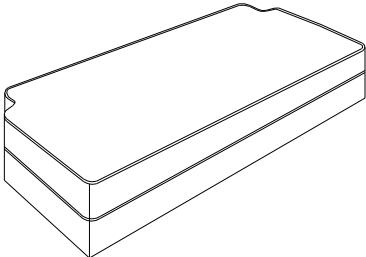


# ASSEMBLY INSTRUCTIONS

## Parts and Hardware

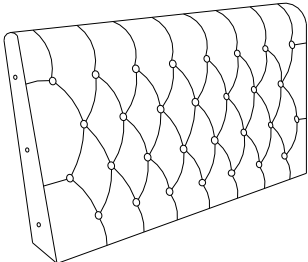
Please check to make sure you have all parts before starting assembly process.

Ⓐ



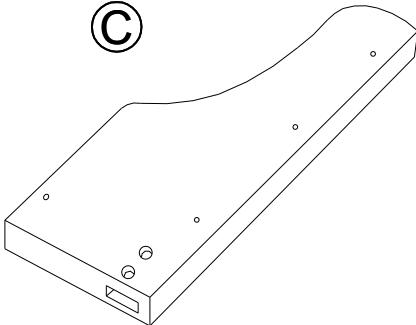
x 1

Ⓑ



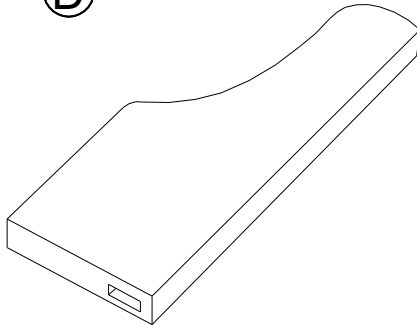
x 1

Ⓒ



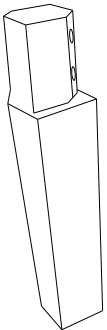
x 1

Ⓓ



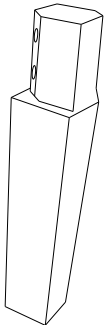
x 1

Ⓔ



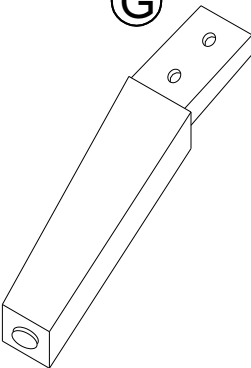
x 1

Ⓕ



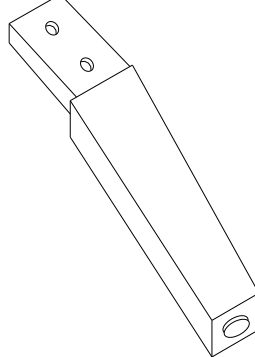
x 1

Ⓖ



x 1

Ⓖ



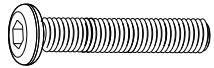
x 1

# ASSEMBLY INSTRUCTIONS

## Parts and Hardware

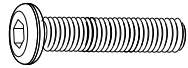
Please check to make sure you have all parts before starting assembly process.

①



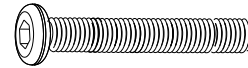
x 4

②



x 4

③



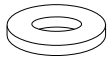
x 14

④



x 22

⑤



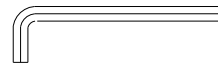
x 18

⑥



x 4

⑦



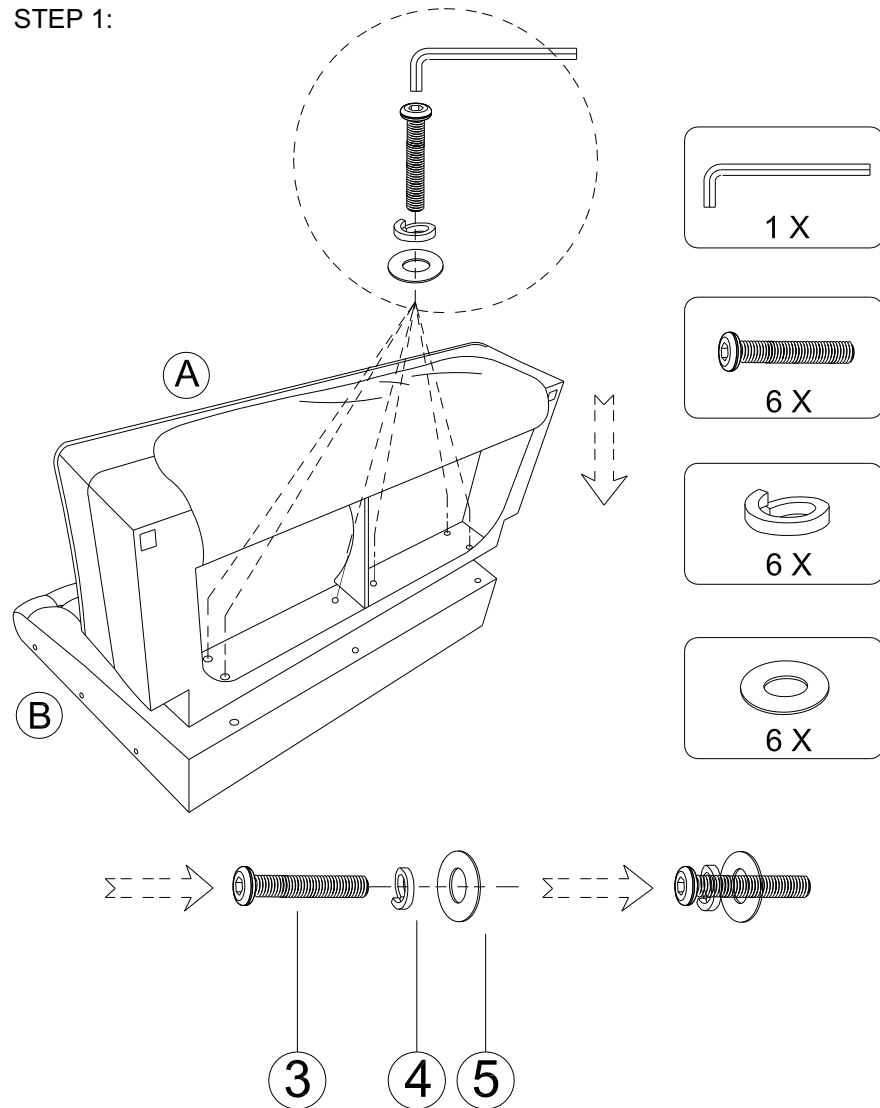
x 1

# ASSEMBLY INSTRUCTIONS

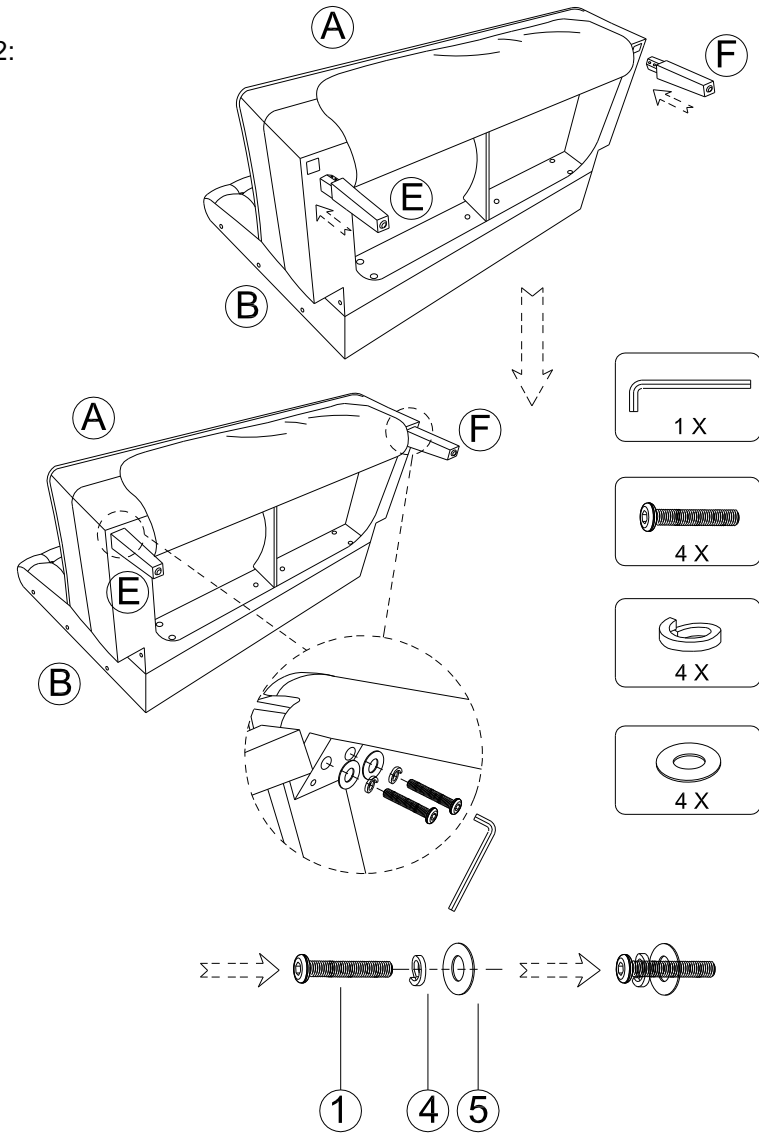
## Assembly Instructions

Please read and understand all assembly instructions before

STEP 1:



STEP 2:

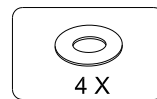
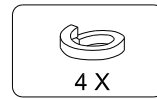
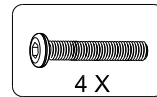
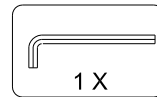
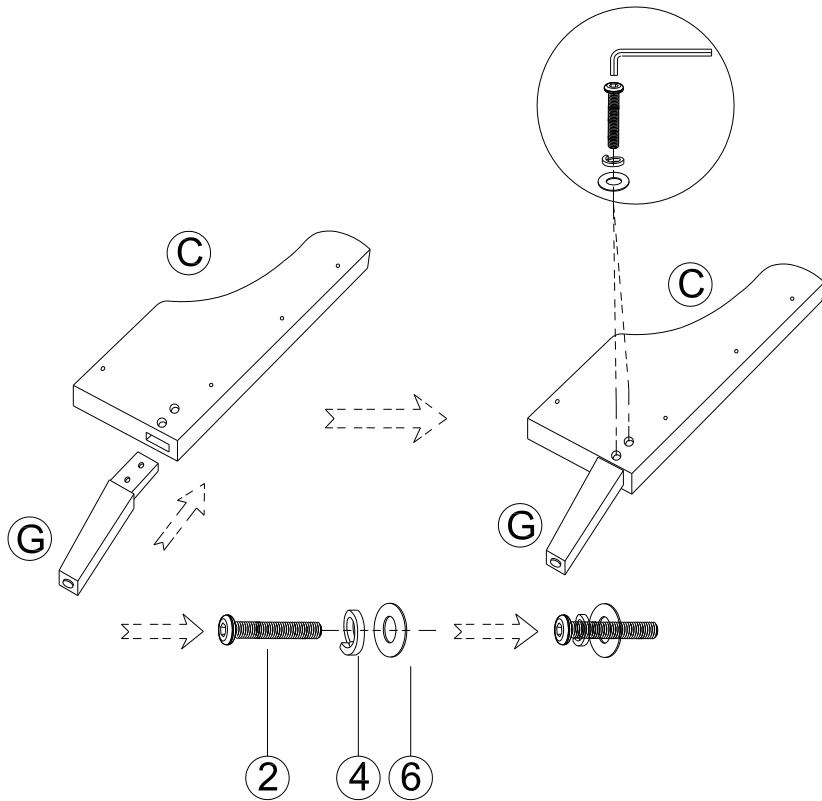


# ASSEMBLY INSTRUCTIONS

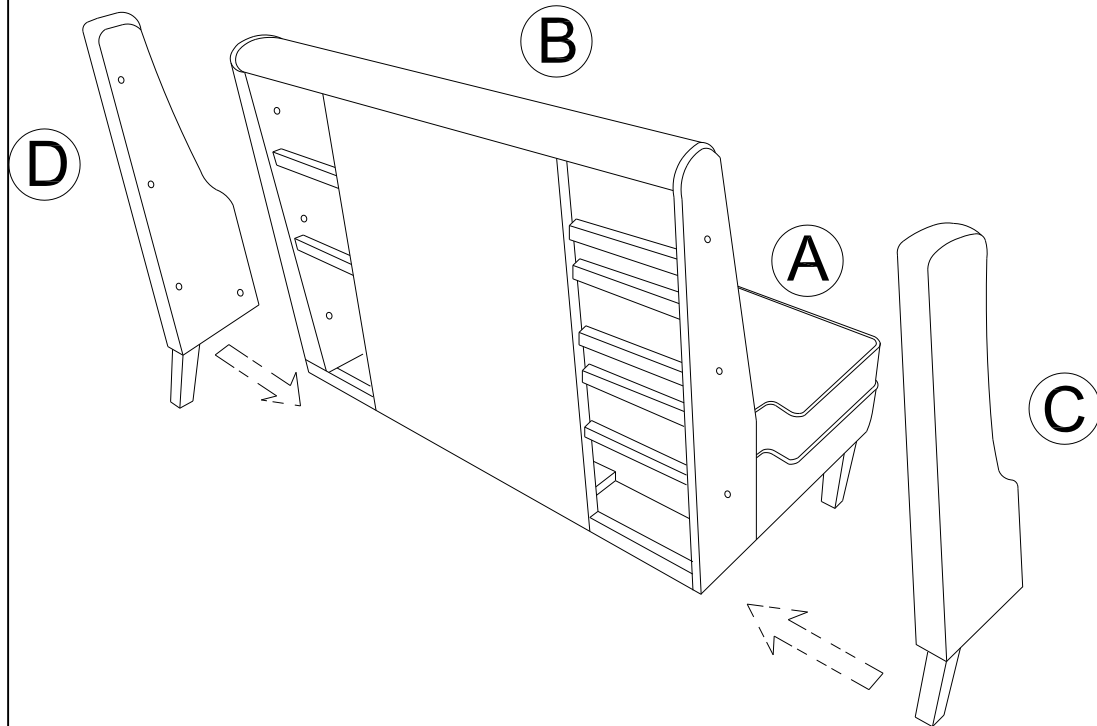
## Assembly Instructions

Please read and understand all assembly instructions before beginning assembly process.

STEP 3:



STEP 4:

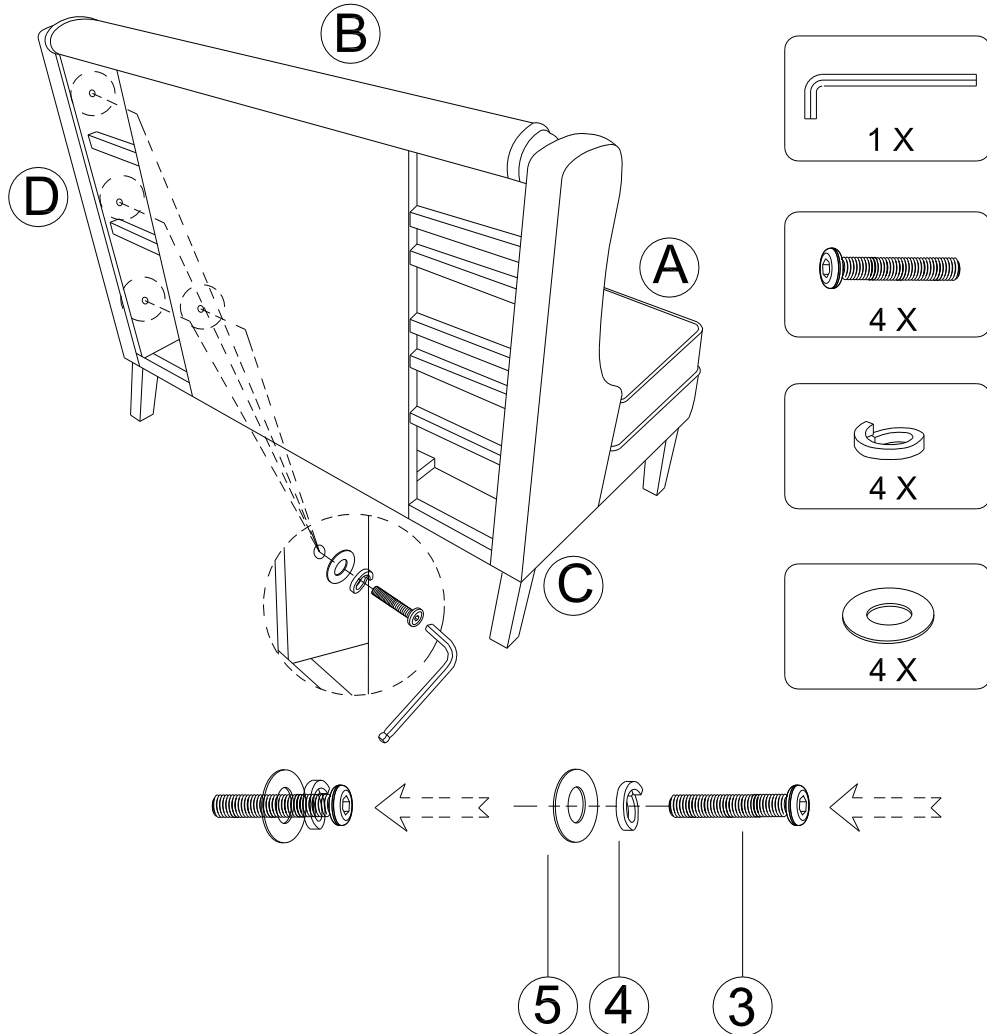


# ASSEMBLY INSTRUCTIONS

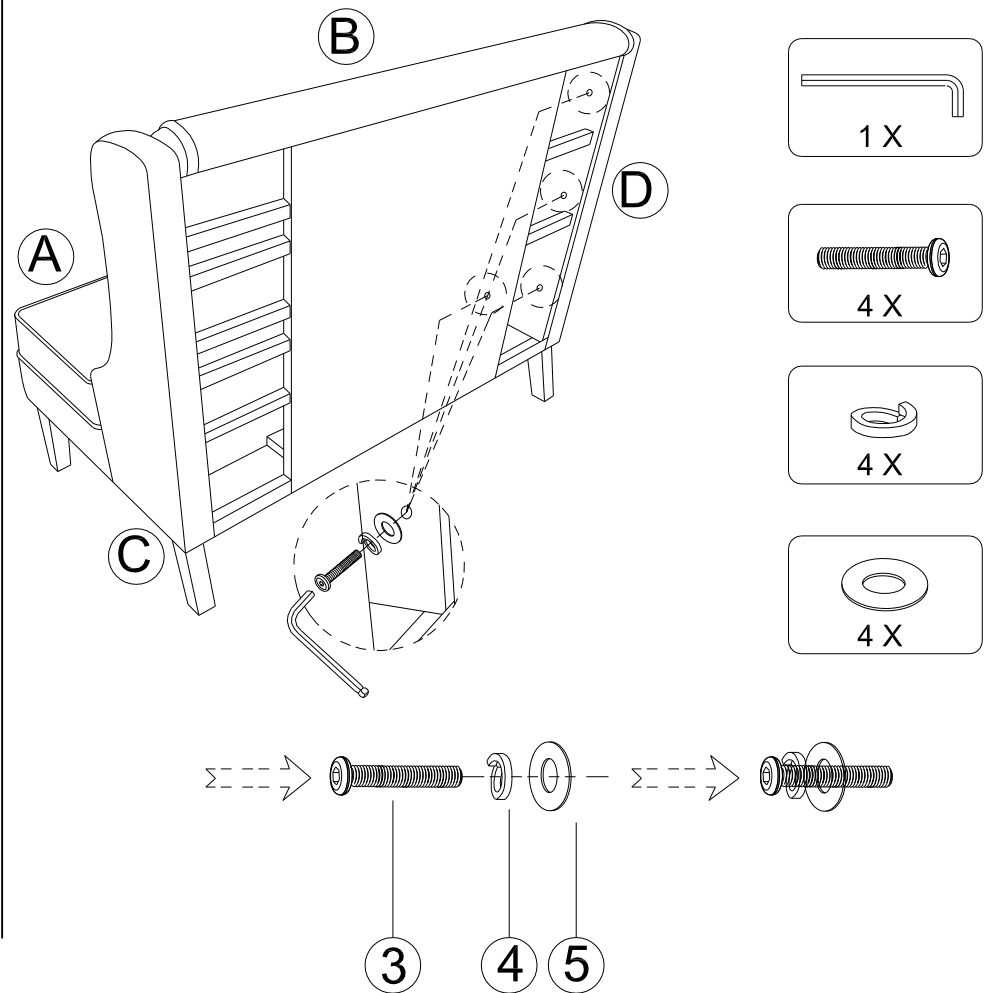
## Assembly Instructions

Please read and understand all assembly instructions before beginning assembly process.

STEP 5:



STEP 6:



# ASSEMBLY INSTRUCTIONS

## Assembly Instructions

Please read and understand all assembly instructions before beginning assembly process.

STEP 7:

