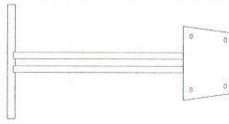



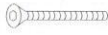

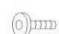





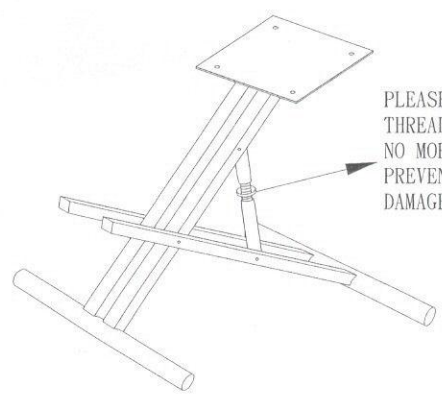
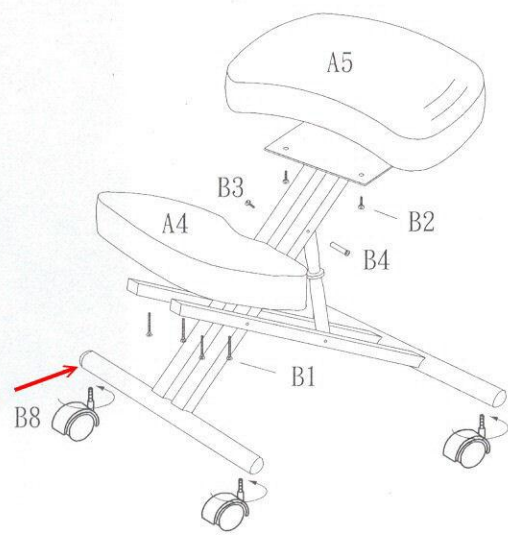
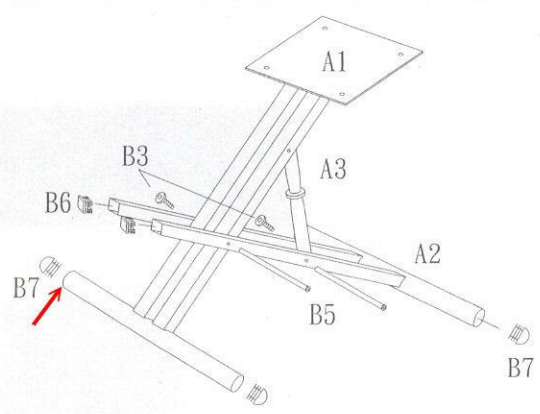


# Posture Chair Steel

A1		x 1
A2		x 1
A3		x 1
A4		x 1
A5		x 1
B1		x 4
B2		x 4
B3		x 3
B4		x 1
B5		x 2
B6		x 2
B7		x 4
B8		x 4



PLEASE NOTE THAT THE MAXIMUM EXPOSED THREAD FROM THE HAND WHEEL SHOULD BE NO MORE THAN 3 CM. ANY EXCESS COULD PREVENT CASTERS FROM MOVING AND DAMAGE THEM