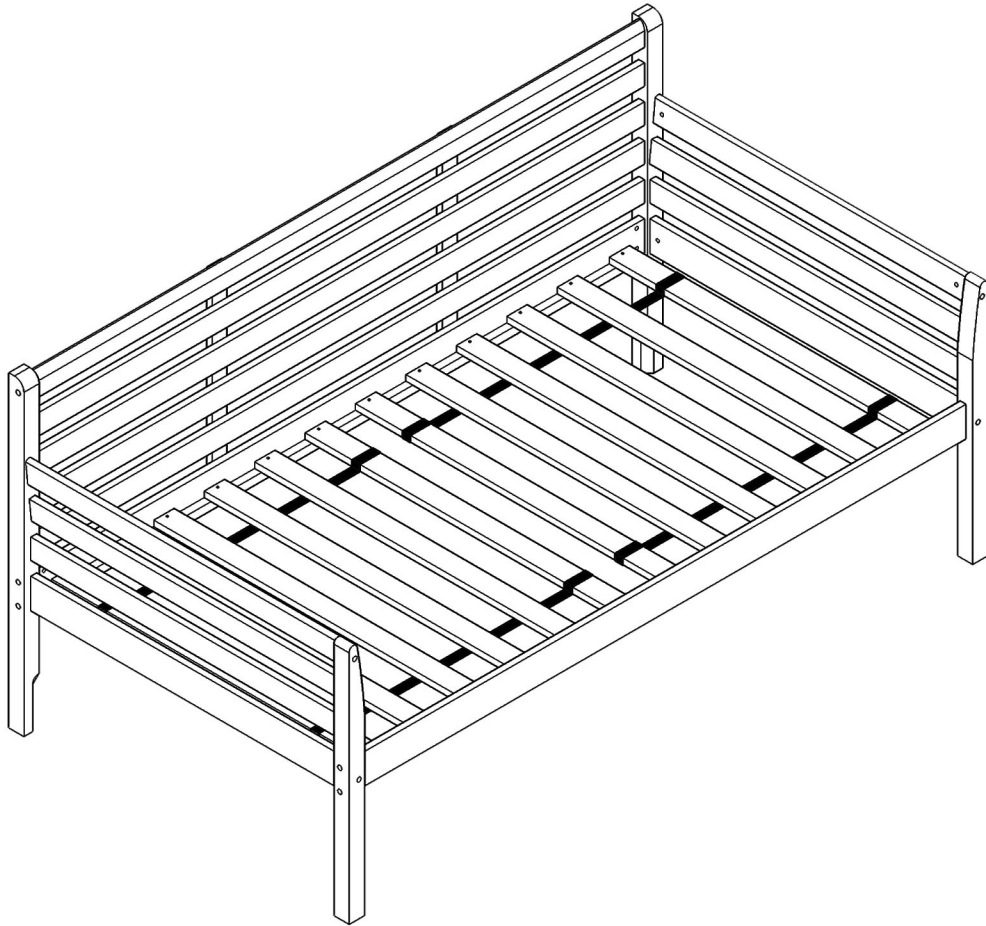
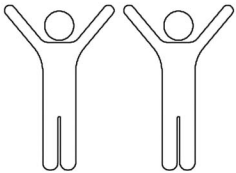




# Assembly Instructions



Required:



Tools Needed:



Allen Key provided

Please cover floor with corrugated cardboard / paper / carpet  
to avoid scratches / damages to floor

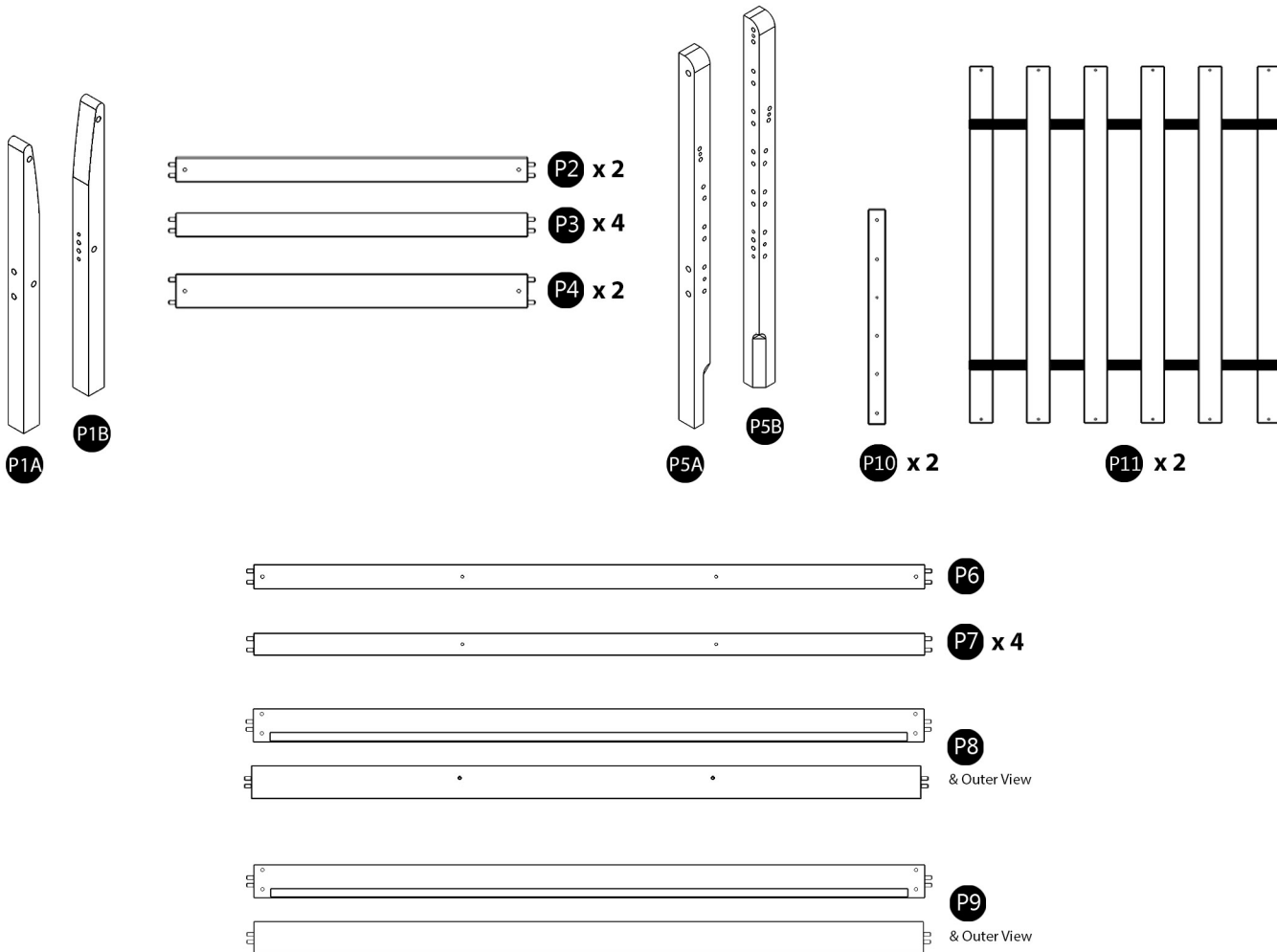
# Assembly Checklist

Please make sure that you have all of the below items before you start. If any are missing, please contact us for a replacement.

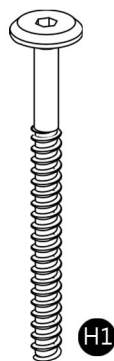


## Parts supplied for assembly

Box A



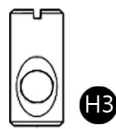
## Hardware supplied for assembly



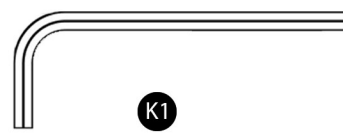
x 18



x 36



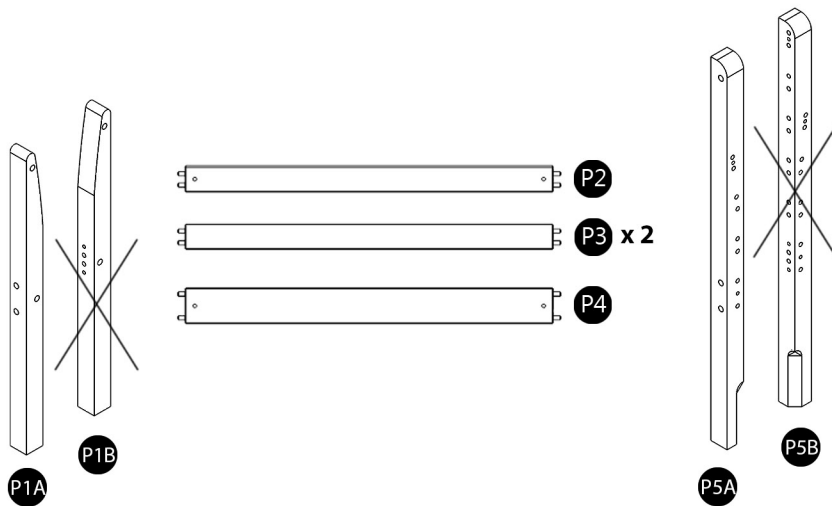
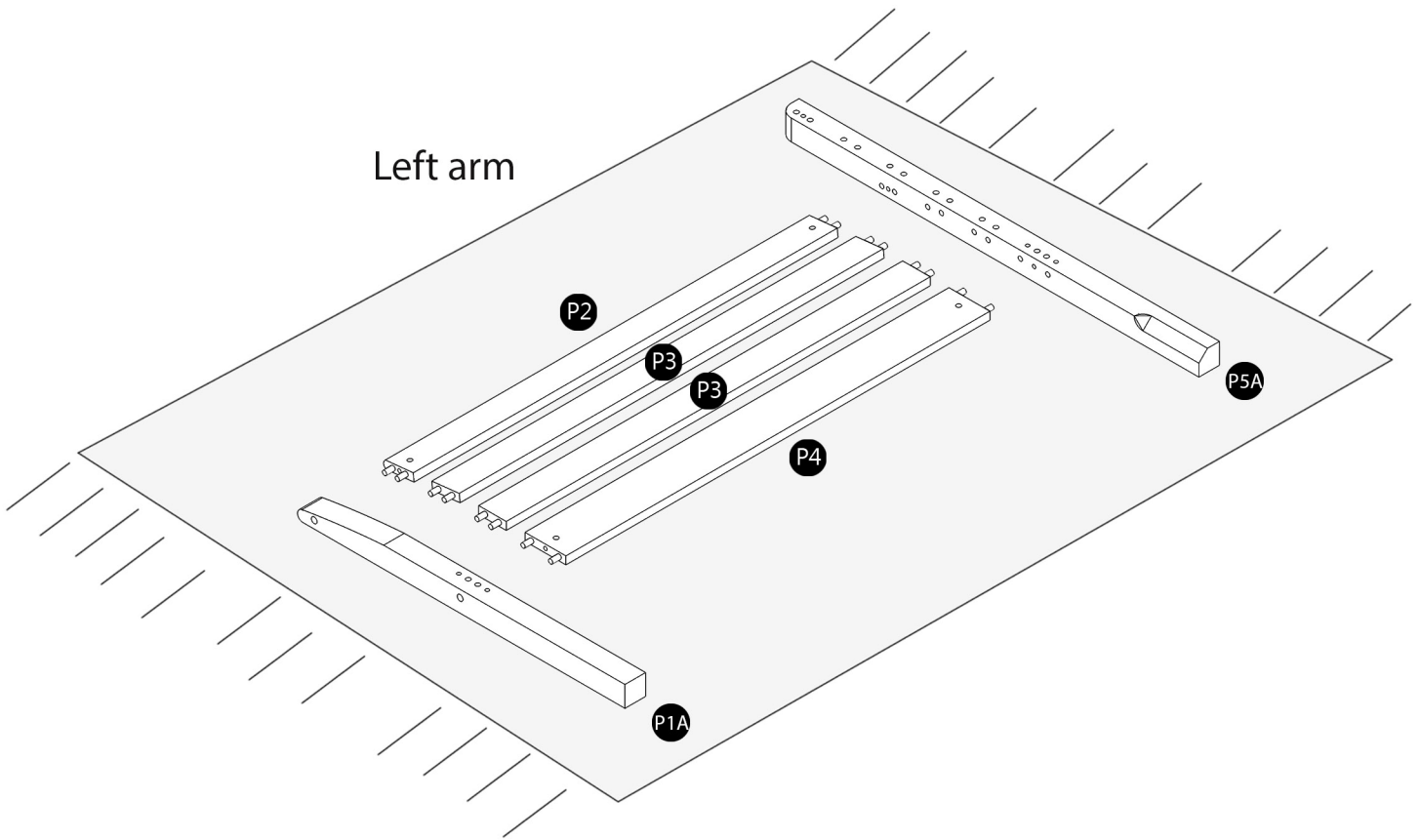
x 18



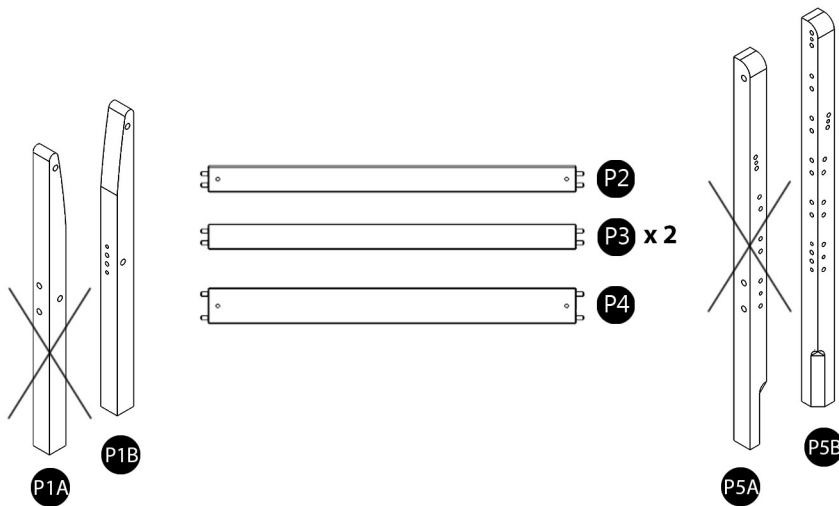
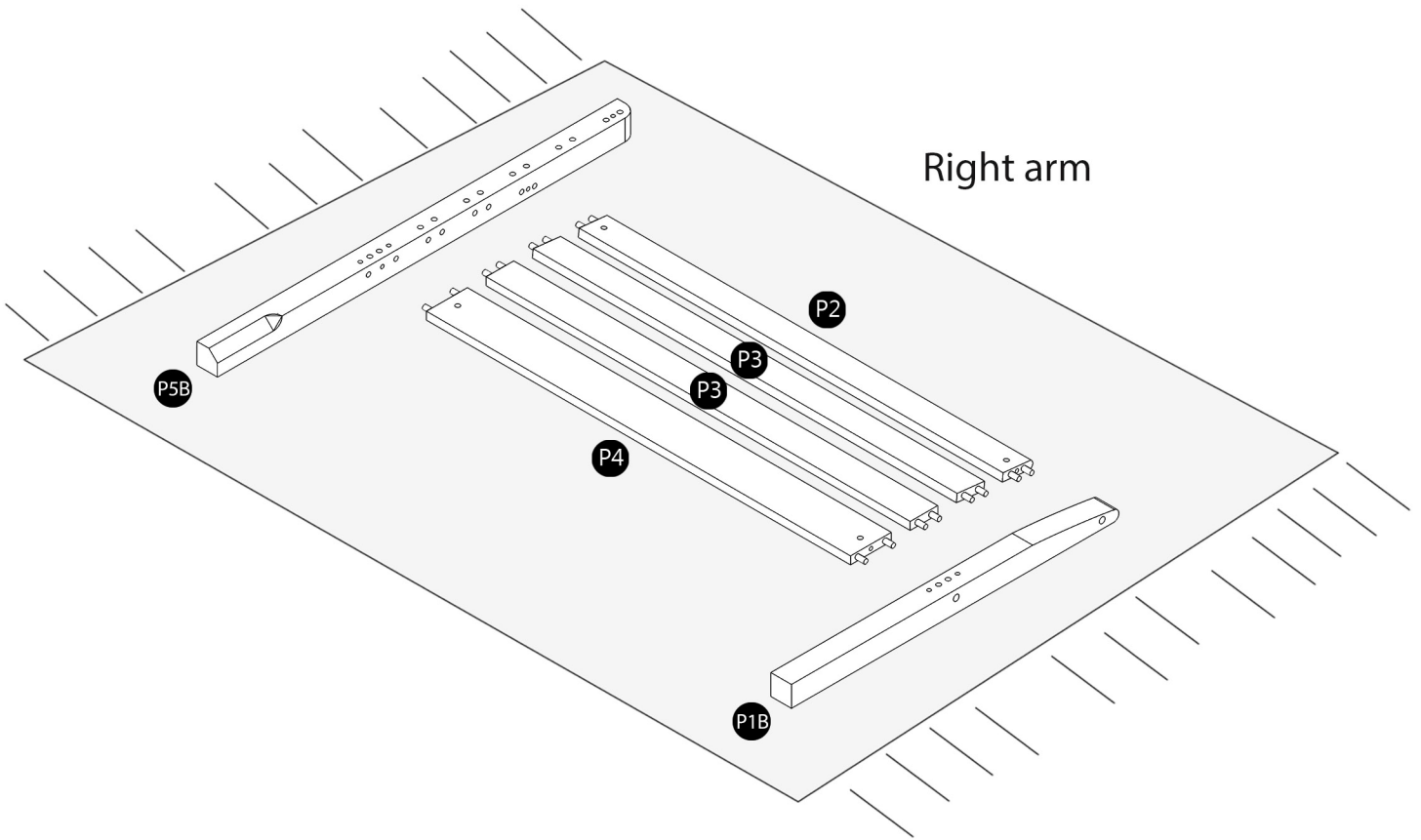
**K1**

Tools required for assembly:  
 - Allen Key (supplied)  
 - Screwdriver (not supplied)

**Step 1:** Locate parts P1A, P2, P3(2), P4 & P5A

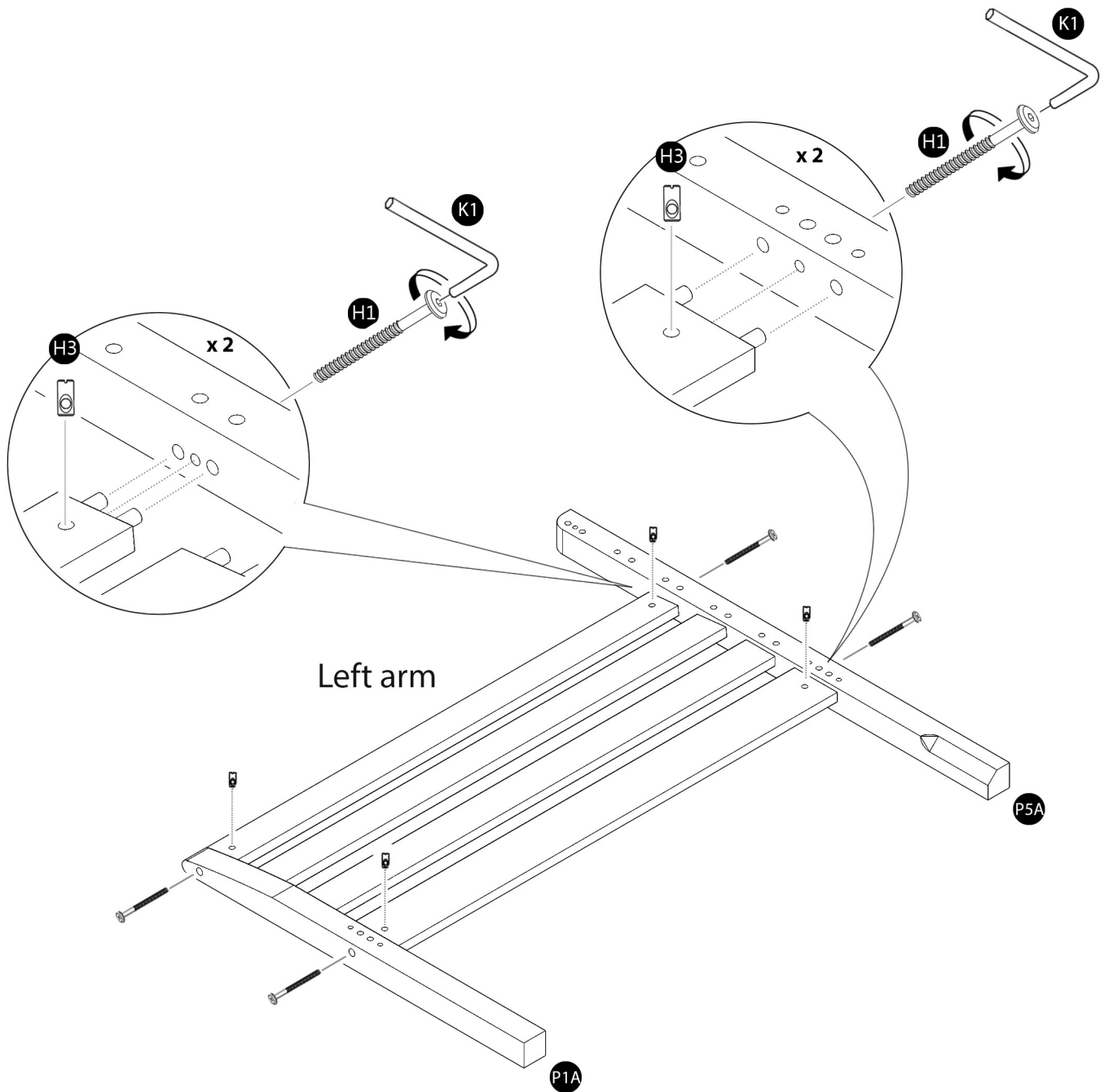


**Step 2:** Locate parts P1B, P2, P3(2), P4 & P5B

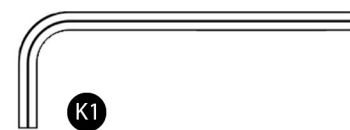
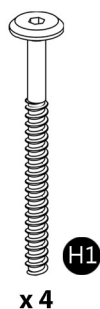


### Step 3: Attach P1A and P5A to P2, P3(2), P4 with hardware as shown

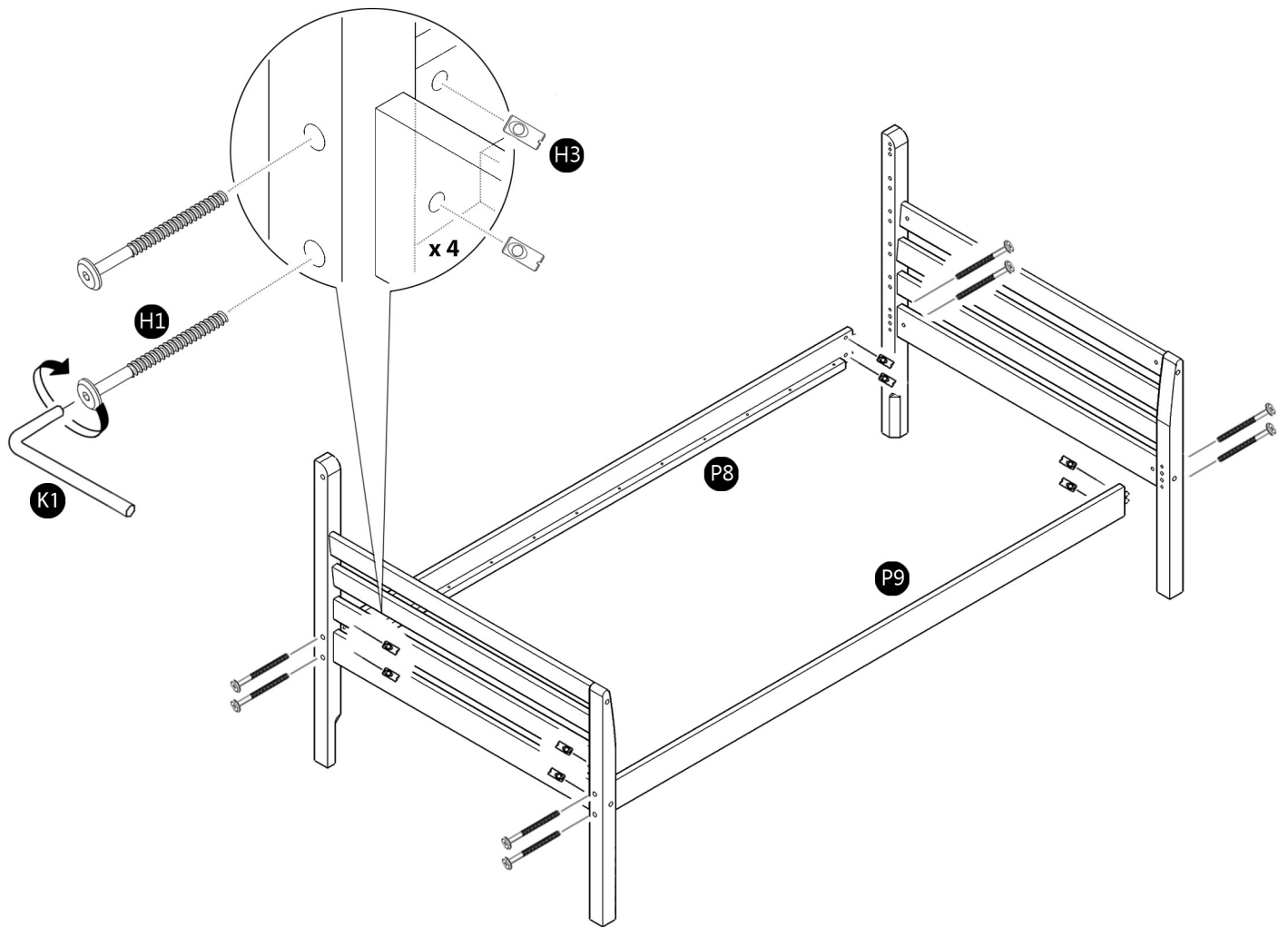
Repeat the same step for other right arm P1B & P5B with same hardware as shown.



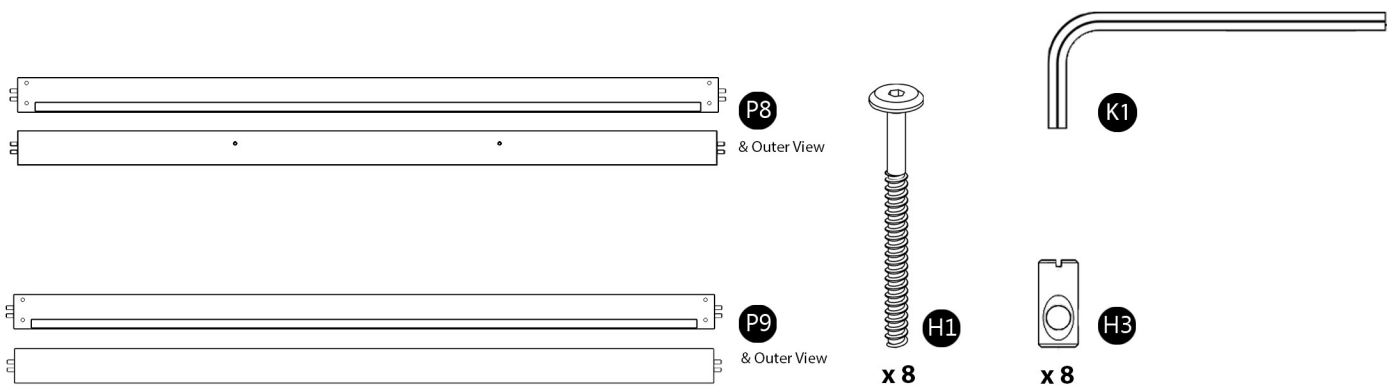
Tighten all bolts at this point.



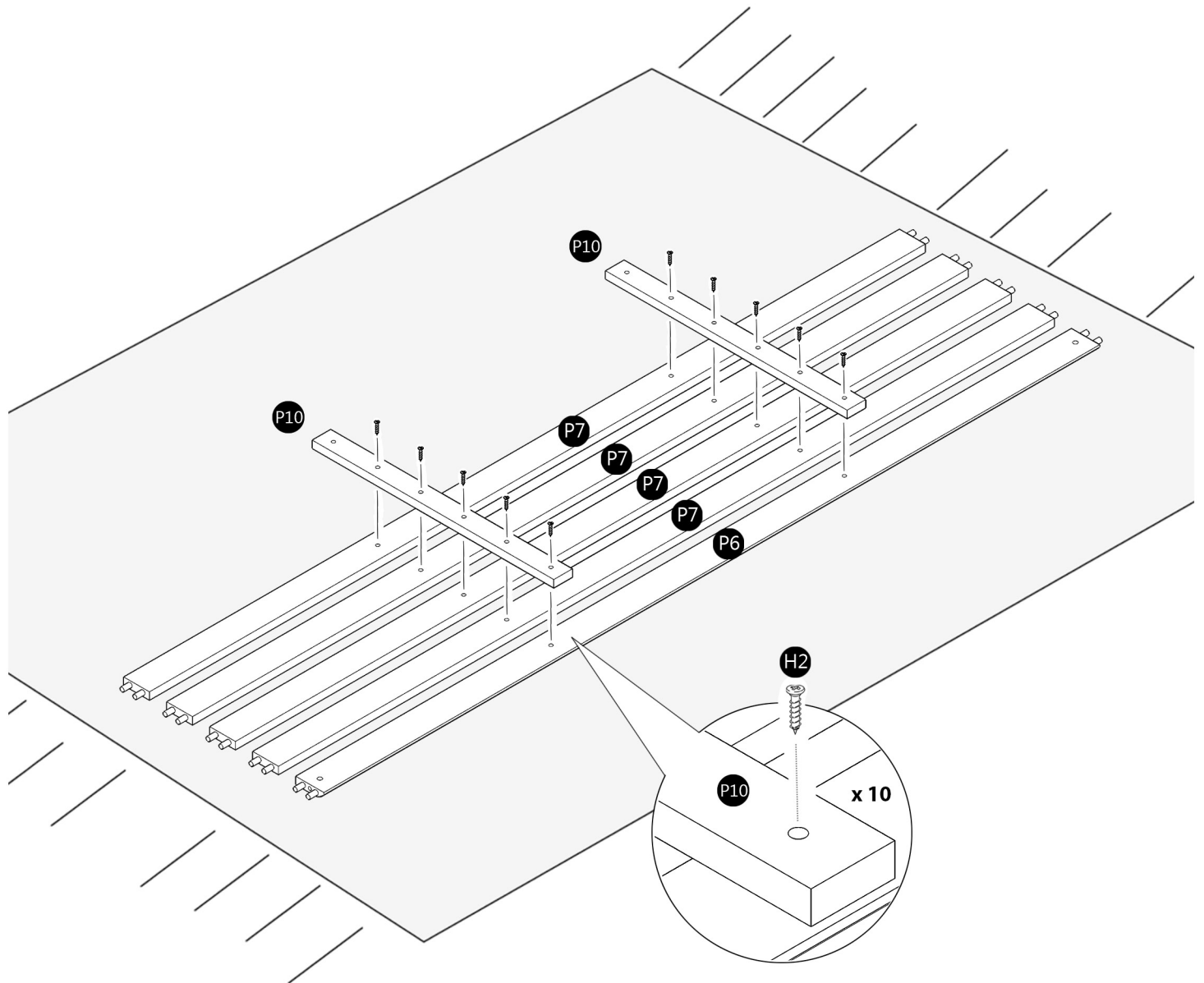
## Step 4: Attach P8 & P9 to both arms



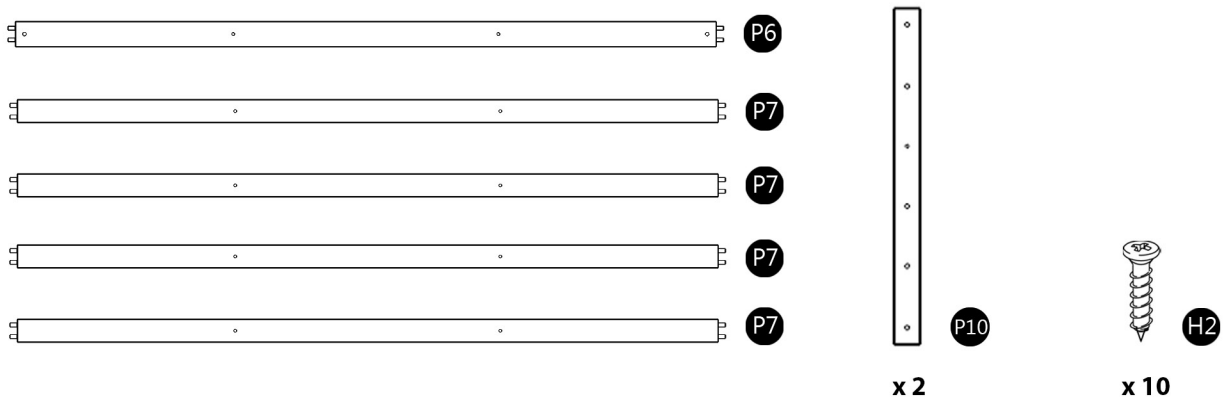
**IMPORTANT!** Loosely attach H1 bolts at this step.



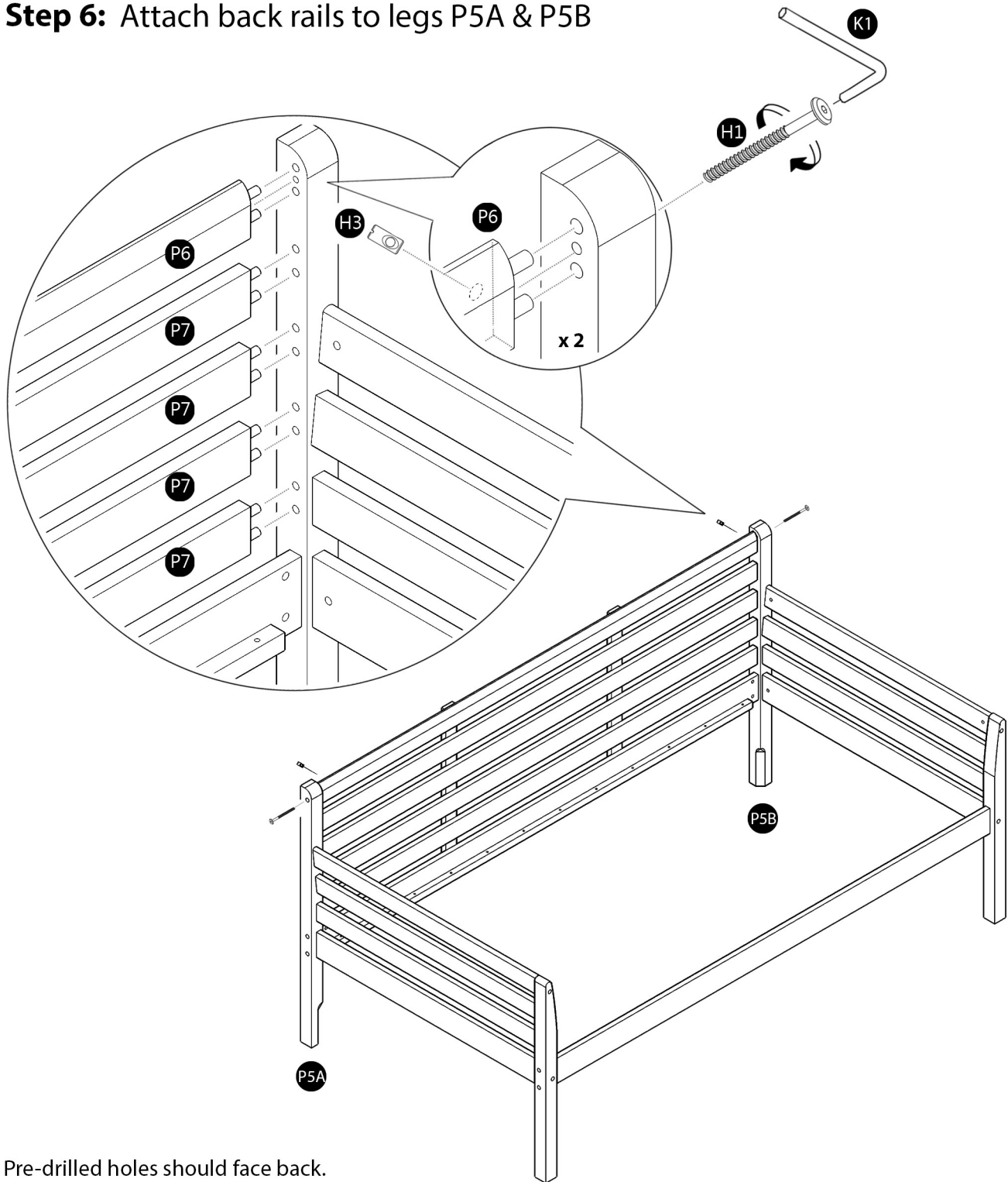
**Step 5:** Attach P10(2) to P6, P7(4) with hardware as shown



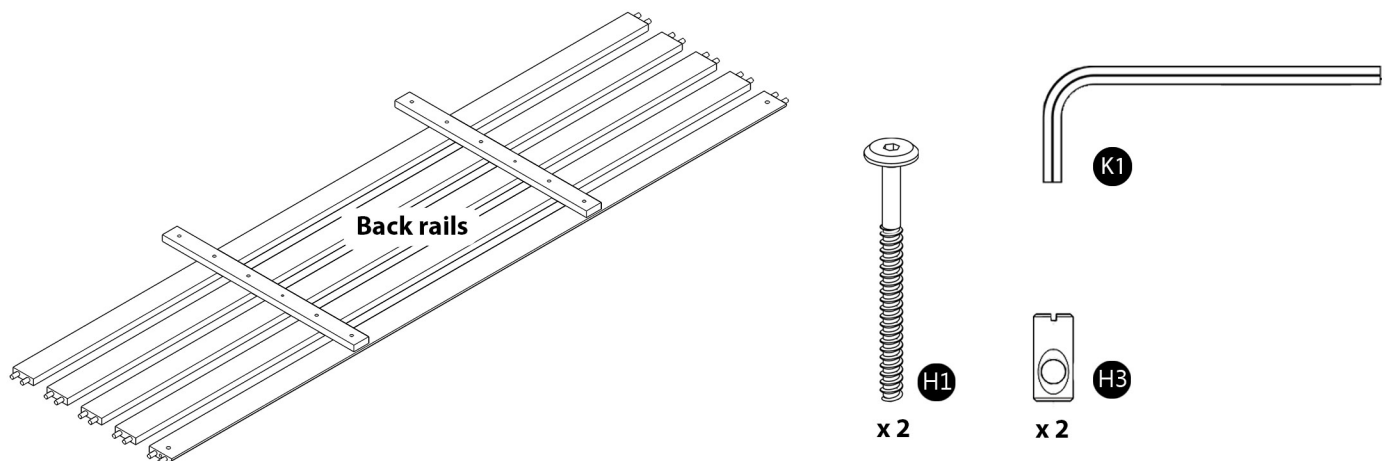
Tighten all bolts at this point.



## Step 6: Attach back rails to legs P5A & P5B

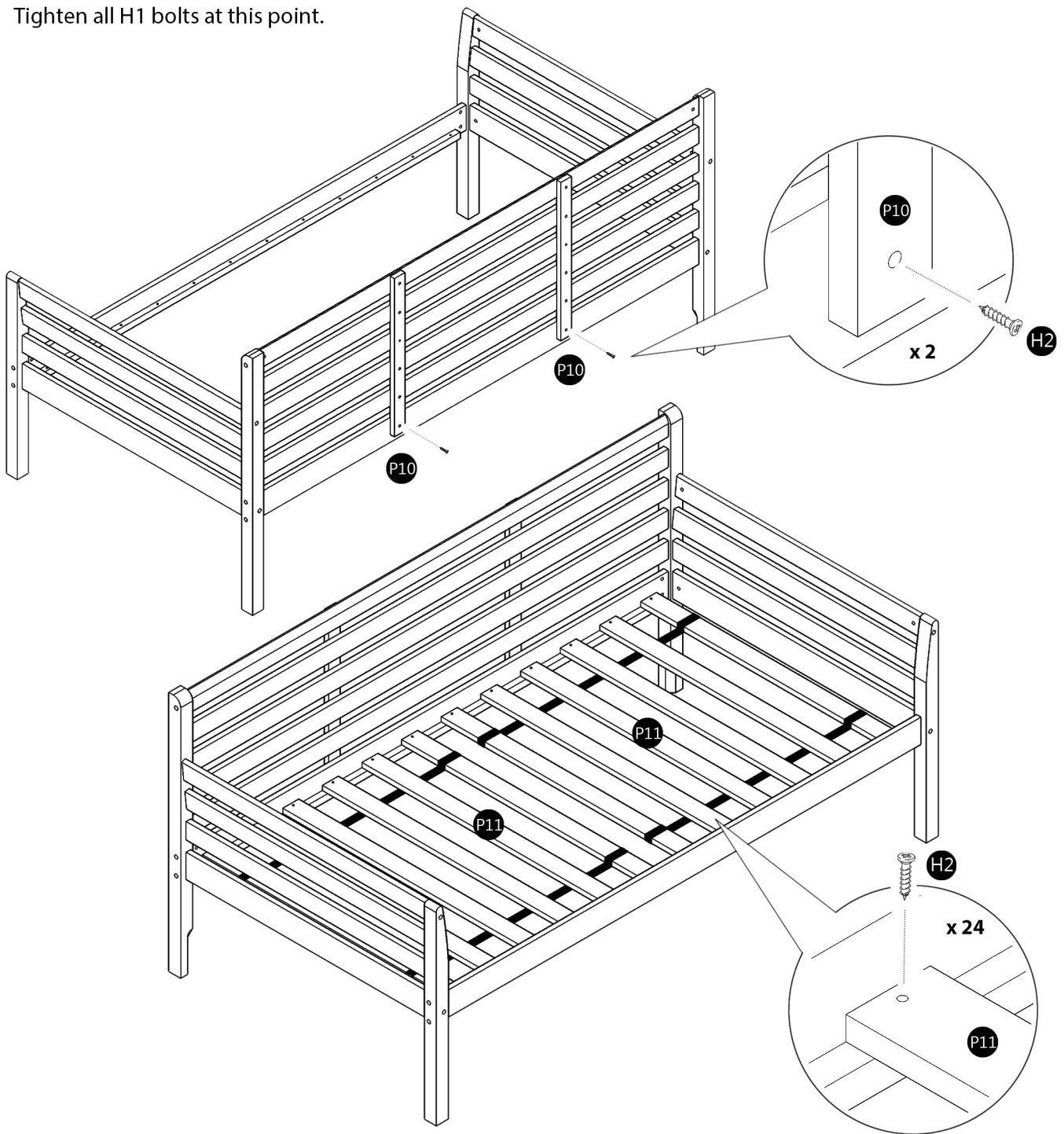


Pre-drilled holes should face back.



### Step 7: Secure P10(2) with hardware as shown

Tighten all H1 bolts at this point.



### Step 8: Attach P11(2) with hardware as shown

Tighten all bolts at this point.

