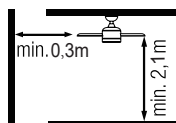


USE AND CARE GUIDE

Sicherheit information

1. To reduce the risk of an electrical blow, electricity on the protective switch or the safety box went out before starting.
2. All wiring must correspond to the NASI/NFPA 70-1999 National Electric Code and local electrical regulations. The electrical installation must be carried out by a qualified and approved electrician.
3. The connection box and support construction must be assembled safely and 35 pounds (15.9 kilos) must be able to transport reliably. Use only output boxes listed with labeling
"Accepted for fans with a weight of £ 35 (15.9 kilos) or less."
4. The fan must be installed with a minimum distance of 2.1 m (7 feet) from the posterior edge of the blades to the floor. Make sure that there is a space of at least 30 cm between the fan's blades and any wall or other obstacle with which they could collide. It is important to note that the greater the distance, the more efficient the airflow would be.



5. Do not operate the reverse switch if the fan blades are moving. You have to turn off the fan and stop the blades before reverse the direction of the blades.
6. Do not place objects on the road to blades.
7. To avoid lesions or damage to the fan and other objects, be careful if you work on the fan or clean it.
8. Electrical diagrams only serve as a reference. The lighting rates that are not delivered with the fan must be listed and marked with the valve model that will be installed for use. The switches must be general use switches UL. Take into account the instructions for the appropriate installation included in the lighting rates and the switches.
9. After the electrical connections have been made, the size staircase must be turned up and carefully push to the plug box. The cables must be distributed in such a way that the ground connected driver and the device head are next to the socket.

All fixing screws must be verified before installation and, if necessary, followed.



WARNING: To reduce the risk of injury, blade brackets cannot be folded during installation or after installation. Do not put any object on the path of blades.



WARNING: Remove rubber motor attacks at the bottom of the fan before mounting the blades or try the motor.



WARNING: To avoid the risk of a fire or an electrical blow, this fan should not be used with a semiconductor speed controller.



WARNING: To avoid a possible electric shock, turn off the current in the main security box before wiring. If you feel that you do not have enough knowledge or experience in electrical wiring, communicate with a license electrician.



WARNING: Electrical diagrams only serve as a reference. The optional use of an lighting rate must be on the list and marked with this fan for use.




WARNING: To reduce the risk of fires, electrical discharges or injuries, assemble the device in a socket that with the inscription accepted for fans with a weight of £ 35) or less. It is marked and use the screws supplied with the plug.


TECHNICAL INFORMATION


Nominal voltage	Nominal output (motor)	light
110-120V AC	16W	16W 3000/4000/6500K,dimmabe + 5W RGB


Installation & Operating Instructions for the Owner's Installation ,Manual


WARNING: SHUT POWER OFF AT FUSE OR CIRCUIT BREAKER


 Plastic wire nut (3PCS)

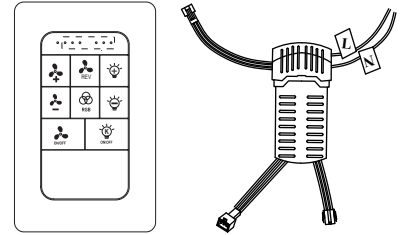
 Blade screw (1PC)

 5g Balancing sticker (2PCS)

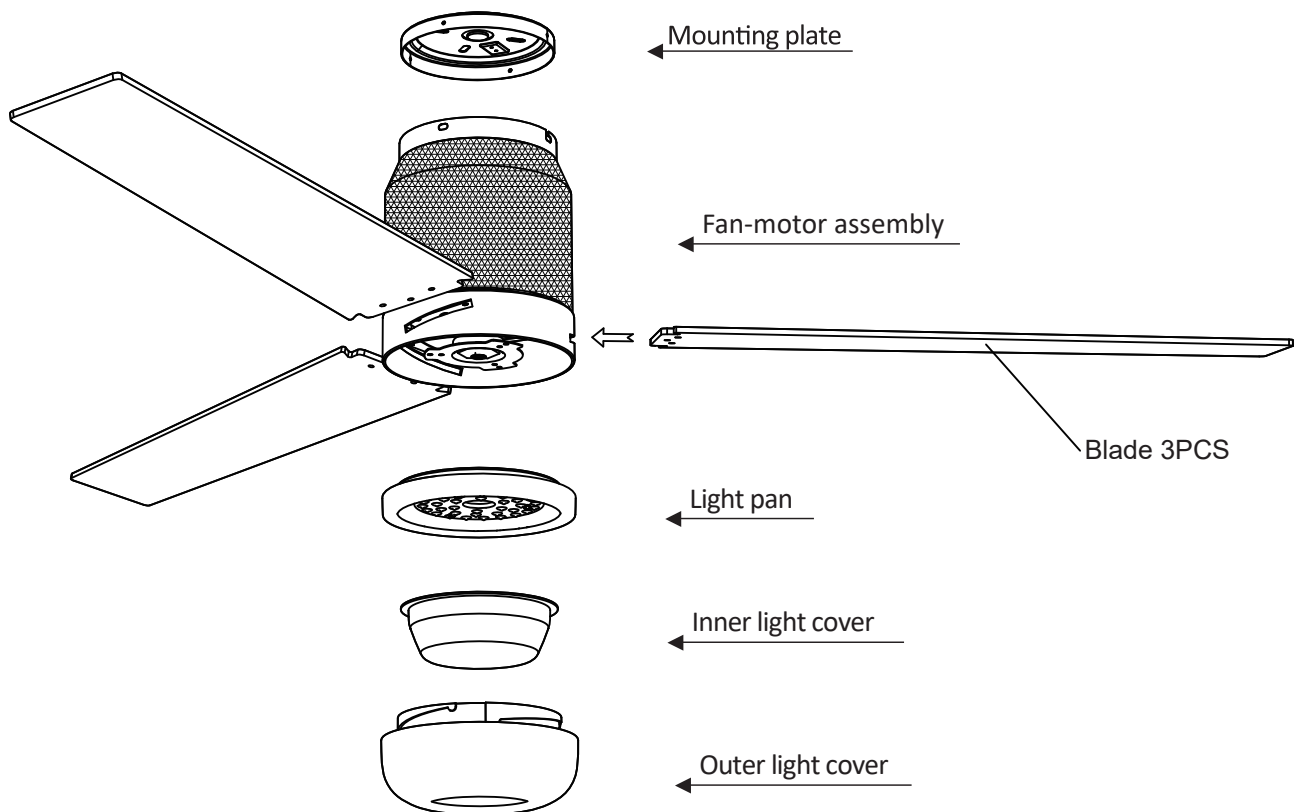
 Balancing clip (1PC)

 Mounting screw(2PCS)

 Washer(2PCS)



Remote control (1 PC)



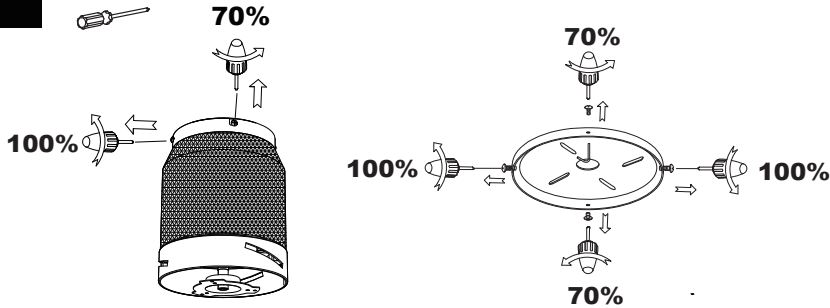
Pls check whether above accessories are completed or not?Yes,and install.

Installation & Operating Instructions for the Owner's Installation ,Manual

WARNING: SHUT POWER OFF AT FUSE OR CIRCUIT BREAKER

1

⊕ Phillips screwdriver



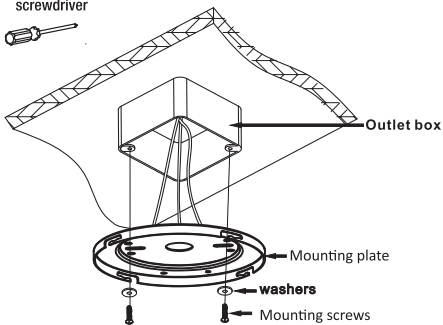
100%(completely) remove 2 screws from mounting plate for later use.

70% remove 2 screws from mounting plate.

Separate mounting plate from motor.

2

⊕ Phillips screwdriver



Warning: Failure to disconnect power supply prior to installation may result in serious injury.

For safety and best operating results, recommend you have a qualified electrician install this fan.

Secure mounting plate to outlet box by tightening mounting screws & washers.

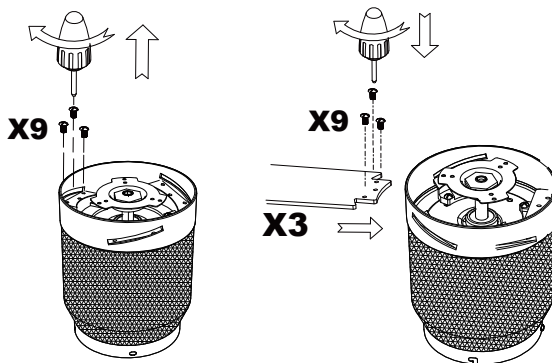
The ceiling fan must be installed in a location with a minimum of 300mm spacing from the tip of the blade to the nearest objects or walls. Secure the mounting plate to the ceiling joist or structure that is capable of carrying a load of at least 15.9kgs, with two long screws provided.

Ensure at least 30mm of the screws is threaded into the support.

Note: For ease of wiring feed house wires through mounting plate.

3

⊕ Phillips screwdriver



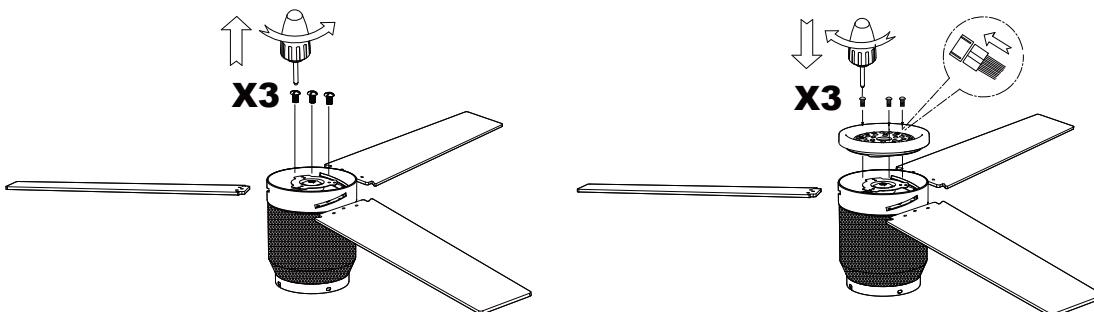
Remove 9 screws from motor.

One blade at a time, insert blade into slot through motor and align blade with 3 holes. Tighten screws securely.

Repeat for the remaining 2 blades.

4

⊕ Phillips screwdriver



Remove 3 screws from motor.

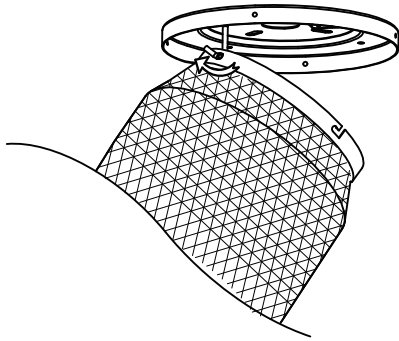
Insert motor plug into slot of LED board.

Install light pan to motor with 3 screws. Tighten screws securely.

Installation & Operating Instructions for the
Owner's Installation ,Manual

WARNING: SHUT POWER OFF AT FUSE OR CIRCUIT BREAKER

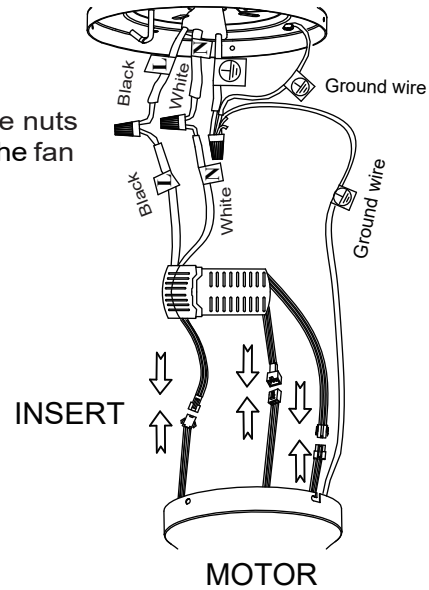
5



Hang the hole of the motor cover into the hook of mounting plate.

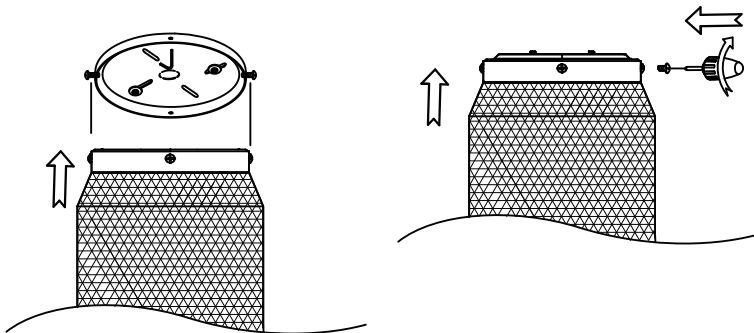
FROM POWER SOURCE
AC 110- 120 VOLT 60Hz 3.5AMPS.

Use plastic wire nuts supplied with the fan



WARNING: To avoid possible electrical shock, be sure electricity is turned off at the main fuse box before wiring. Make the wire connection between the Fan and power supply. Make sure all connections are secured.

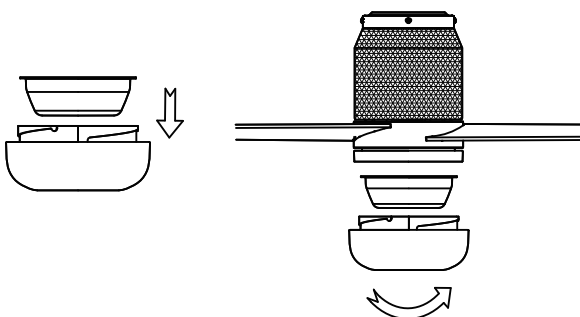
6



X4

Install mounting plate with 4 screws.

7



Put inner light cover inside outer light cover.

Align groove in outer light cover with ridge in light pan, twist outer light cover clockwise until it is secure.

APP Control Connection

1. First search and download the free app from the App Store or Google Play.
2. Open to create your account.
The account with app can be registered through E-mail or Mobile phone.
3. Connect the device to the app (WIFI&Bluetooth on):
 - a. Press "+" button into the device list.
 - b. Tap "Auto Scan" on the top.
 - c. Wait for the device comes out and tap "Next".
 - d. Press "+" button to add device.
 - e. Connect to your home WIFI.
 - f. Wait for connecting.

How to reset network settings in ceiling fan:

- a. Powered off the fan
- b. Powered on the fan, press and hold the off button on the remote within 30 seconds
- c. The flash of the light indicates that the reset network settings is successful
- d. Now you can use the app to re-connect the device

WARNING: SHUT POWER OFF AT FUSE OR CIRCUIT BREAKER

Remote controller

GENERAL INFORMATION

1.INSTALLING RECEIVER IN CEILING FAN

A. Safety precautions:

WARNING: HIGH VOLTAGE! Disconnect power by removing fuse or switching off circuit breaker.

Electrical wire must meet all local and national electrical code requirements.

B. Electrical rating: 110/120V 50/60Hz

Otherwise power can cause serious injury or death.

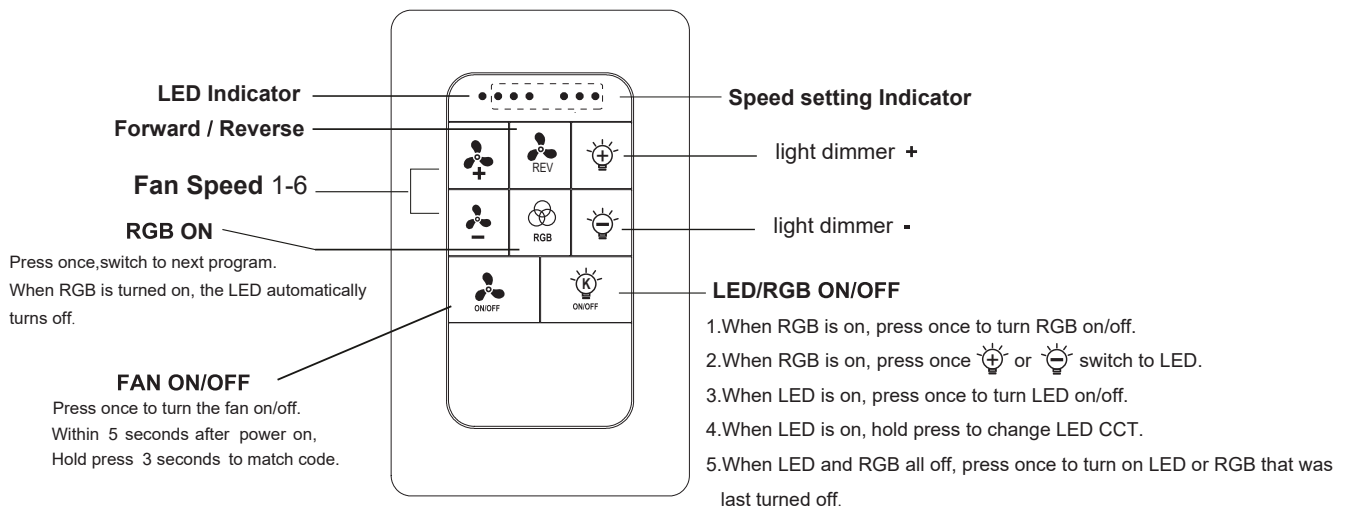
2.OPERATING TRANSMITTER :

A. Install CR2032 3 volt battery.

(To prevent damage to transmitter, remove the battery if not used for a long time).

B. Store the transmitter away from excessive heat or humidity.

C. Operating the buttons on the panel of the transmitter.

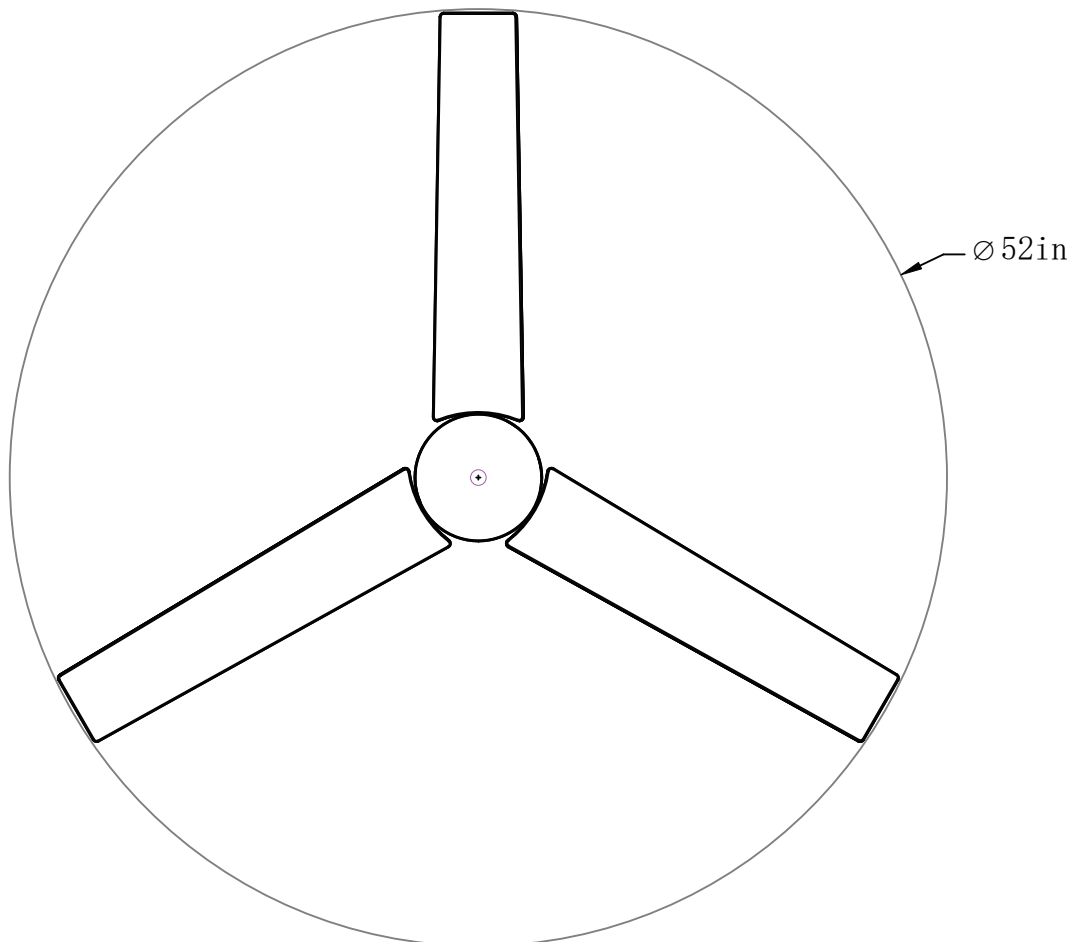
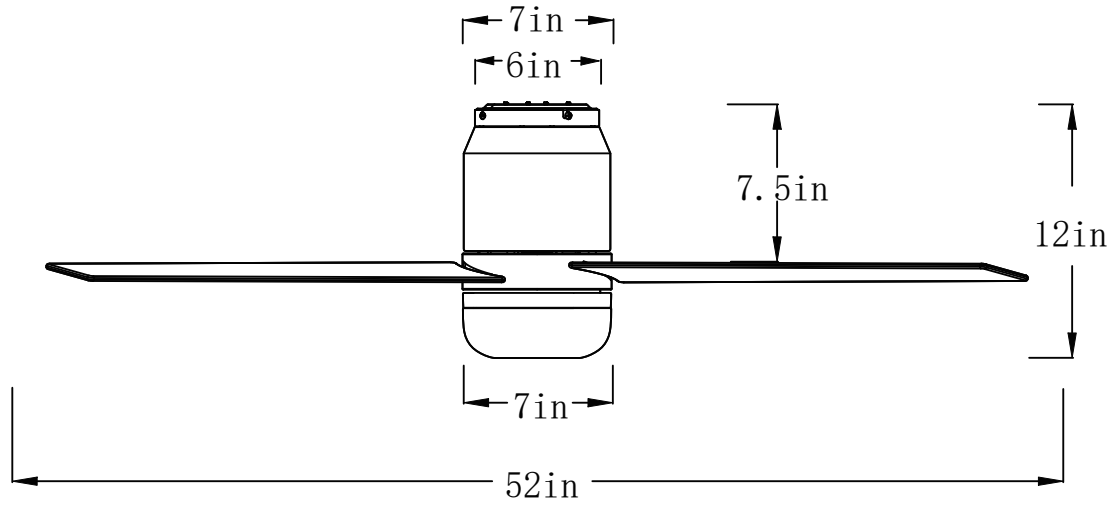


Within 5 seconds after power on, hold press + 3 seconds to clear code.

Installation & Operating Instructions for the
Owner's Installation ,Manual

WARNING: SHUT POWER OFF AT FUSE OR CIRCUIT BREAKER

size of product



WARNING: SHUT POWER OFF AT FUSE OR CIRCUIT BREAKER

AFTER INSTALLATION

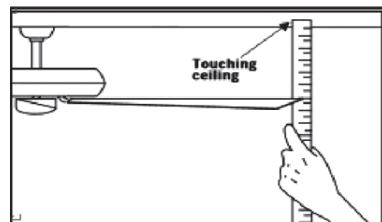
WOBBLE”

The fan blades have been adjusted in the factory to minimize any wobble

NOTE: CEILING FANS TEND TO MOVE DURING OPERATION DUE TO THE FACT THAT THEY ARE MOUNTED ON A RUBBER CROMMET. IF THE FAN WAS MOUNTED RIGIDLY TO THE CEILING, IT WOULD CAUSE EXCESS VIBRATION. MOVEMENT OF A FEW CENTIMETERS IS QUITE ACCEPTABLE AND DOES NOT SUGGEST ANY PROBLEM

**TO REDUCE THE FAN WOBBLE: PLEASE CHECK THAT ALL SCREWS WHICH SECURED THE MOUNTING BRACKET AND DOWNROD ARE SECURE.
BALANCING A WOBBLING CEILING FAN:**

1. Check that all blade and blade arm screws are secure.
2. Most fan wobbling problems are caused when blade levels are unequal. Check this level by selecting a point on the ceiling above the tip of one of the blades. Measure this distance. Rotate the fan until the next blade is positioned for measurement. Repeat for each blade. The distance deviation should be equal within 1/8" (0.32cm).



3. If the blade wobble is still noticeable, interchanging two adjacent (side by side) blades can redistribute the weight

and possibly result in smoother operation. **WARNING: TO REDUCE THE RISK OF PERSONAL INJURY, DO NOT BEND THE BLADE ARM WHILE INSTALLING, BALANCING THE BLADES, OR CLEANING THE FAN. DO NOT INSERT FOREIGN OBJECTS BETWEEN ROTATING FAN BLADES.**

NOISE

When it is quiet (especially at night) you may hear occasional small noises. This is normal. Please allow a 24-hour "breaking-in" period, most noises associated with a new fan disappear during the time.

CARE AND CLEANING

1. Periodic cleaning of your ceiling fan is the only maintenance required. Use a soft brush or lint free cloth to avoid scratching the paint finish. Please make sure to turn off electricity power before you clean your fan
2. Do not use water when cleaning your ceiling fan. It could damage the motor or the blades and create the possibility of an electrical shock.
3. Motor has permanently lubricated ball bearing. No need to oil

NOTE: MAKE SURE THE POWER IS OFF AT THE ELECTRICAL PANEL BOX BEFORE YOU ATTEMPT ANY CLEANING OR REPAIRS.