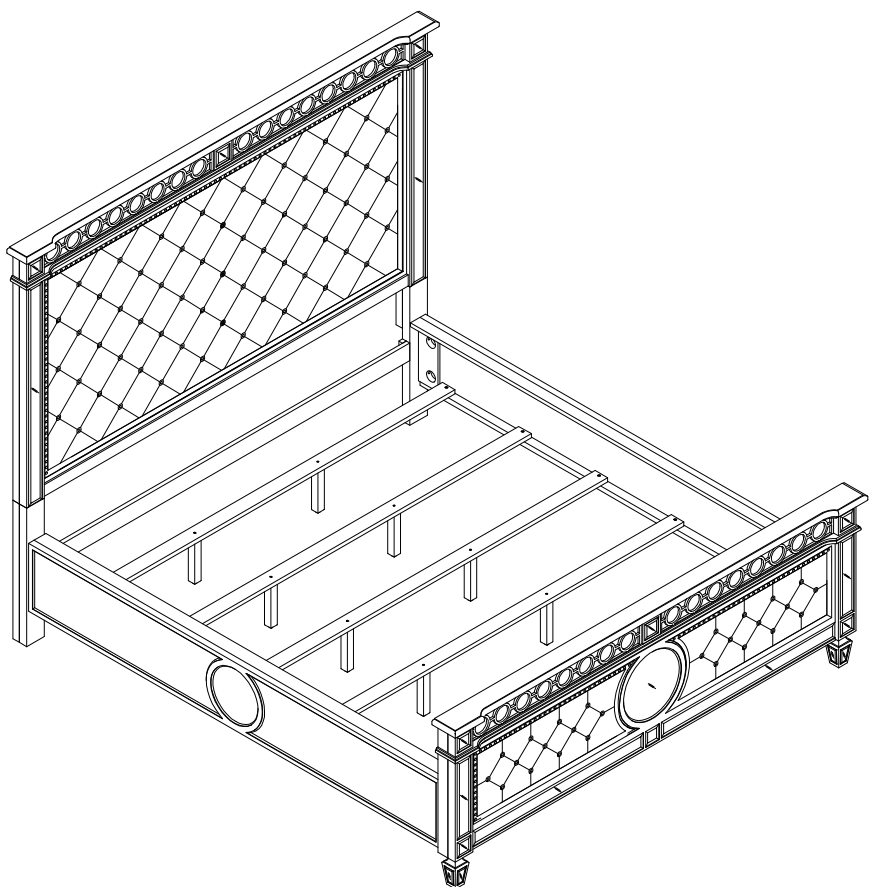


ASSEMBLY INSTRUCTIONS



TOOLS REQUIRED



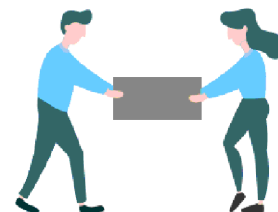
Allen Wrench

(Included)



Phillips
Screwdriver

(Not Included)



2 - People
Recommended

ASSEMBLY RATING



EASY —————> DIFFICULT

The Assembly Rating is a 5-point system showing the level of effort needed to assemble a specific product.



CHECK BEFORE STARTING

Are you missing anything?

Double-check all parts, hardware and accessories listed are all accounted for.

Check out our Quick Tips!

We recommend reviewing the pre-assembly handouts. Even experts need a refresher now and then!

Should we send any replacements?

Are there any irregularities or flaws in the parts? We can send replacements!

Prep Time!

Please review the assembly instructions and all diagrams prior to assembling.

PRE ASSEMBLY INTRODUCTION

We understand building ready-to-assemble furniture can be a challenging experience for some. To help avoid confusion, we have provided some helpful tips that may speed up the process.



Teamwork

ALWAYS have at least two people to help with transporting and assembling the product to avoid potential injury and/or damage.



Suitable Location

Assembling near the area of the intended location is highly recommended.



Sufficient Space

Make sure you have enough space to move around during the assembly.



Avoid Scratches

Use cardboard, blankets or a carpeted area while assembling furniture to prevent to prevent scratches and damages.



Flat Surface

Make sure the furniture rests on a flat and level surface with each leg evenly touching the floor.

ASSEMBLY AND CARE ADVICE



FAILURE TO FOLLOW THE GUIDELINES BELOW MAY RESULT IN INJURY AND/OR PROPERTY DAMAGE.



Position each part correctly and insert screws or bolts into their respective holes.



Turn clockwise to tighten and only tighten when step is completed or when instructed to do so.



Use the appropriate hand tools or power tools for assembly. Select steps, such as tightening screws and/or bolts, may require hand tools to avoid causing damage during assembly.



Save the instructions and store any supplied tools for later maintenance.



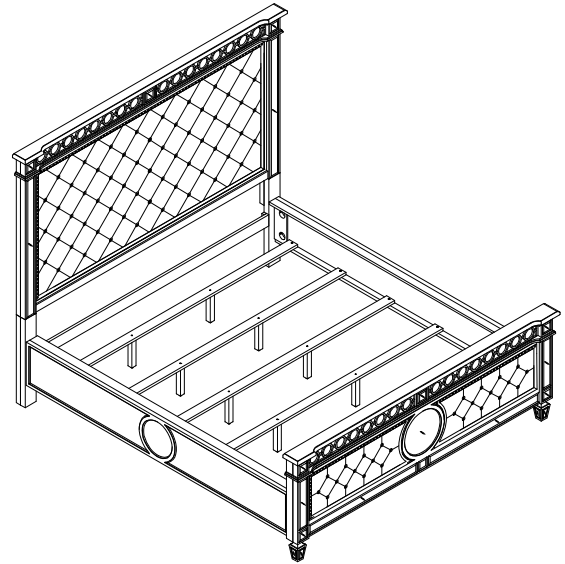
After two weeks, check and tighten any loose hardware and repeat again every six months thereafter.

IT IS THE USER'S RESPONSIBILITY TO MAINTAIN THE FURNITURE. THE HARDWARE MAY LOOSEN OVER TIME AND MAY CAUSE THE FURNITURE TO BE WOBBLY AND UNABLE TO SUPPORT ITS INTENDED WEIGHT CAPACITY. THIS MAY LEAD TO COLLAPSE AND MAY CAUSE SERIOUS INJURY.

BED

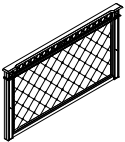


- Please keep instructions for future reference.
- Check the quantity and irregularity of parts and hardware before you start.



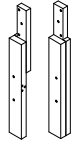
PARTS

#1 1pc



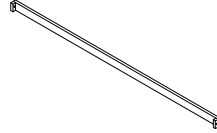
Headboard

#2 2pcs



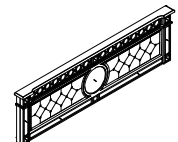
HB Leg(L/R)

#3 1pc



HB Support Rail

#4 1pc



Footboard

#5 2pcs



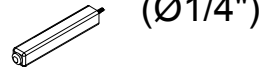
Leg

#6 4pcs



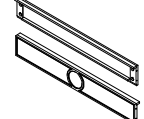
Slat

#7 8pcs



Slat support leg
(194x30x30mm)

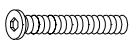
#8 2pcs



Side Rail

HARDWARE

#A 8pcs



Bolt Ø5/16"x1-3/4"

#B 16pcs



Lock washer Ø5/16"

#C 8pcs



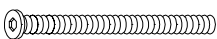
Flat washer Ø5/16"

#D 1pc



Allen wrench M4

#E 2pcs



Bolt Ø5/16"x4-3/4"

#F 2pcs



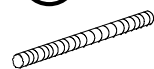
Plastic Button

#G 1pc



Wrench 12mm

#H 8pcs



Bolt Ø5/16"x3-1/2"

#J 8pcs



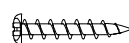
Curved Washer Ø5/16"

#K 8pcs



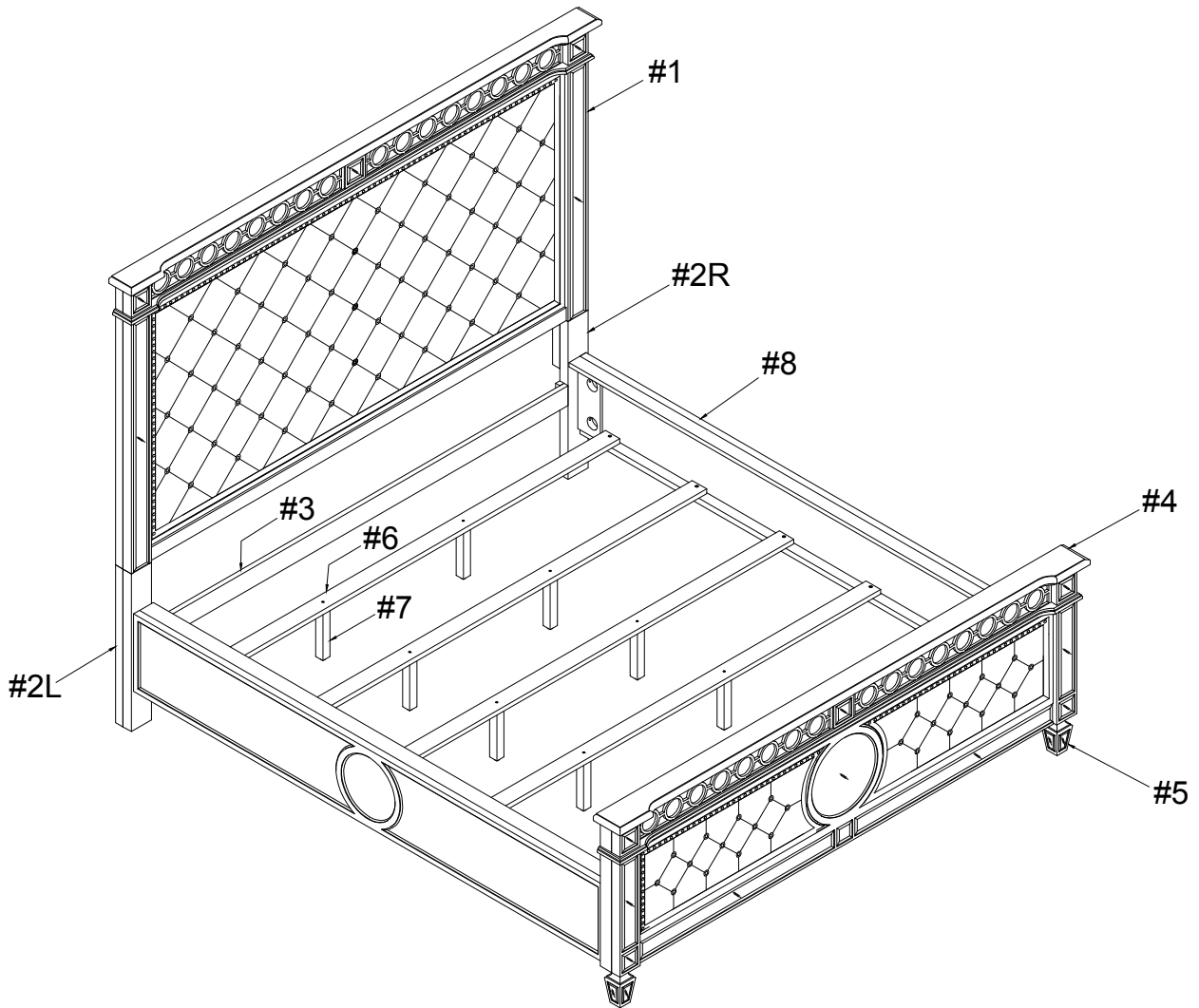
Nut Ø5/16"

#L 8pcs

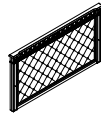
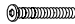



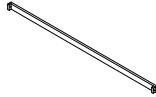

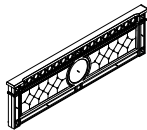
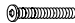

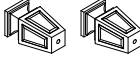
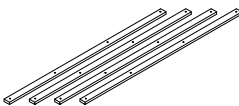
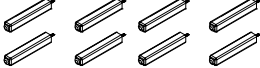
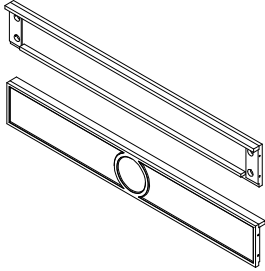

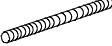



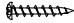


Screw #8 x 32mm

Exploded View



CM7134CK is packed in 3 cases

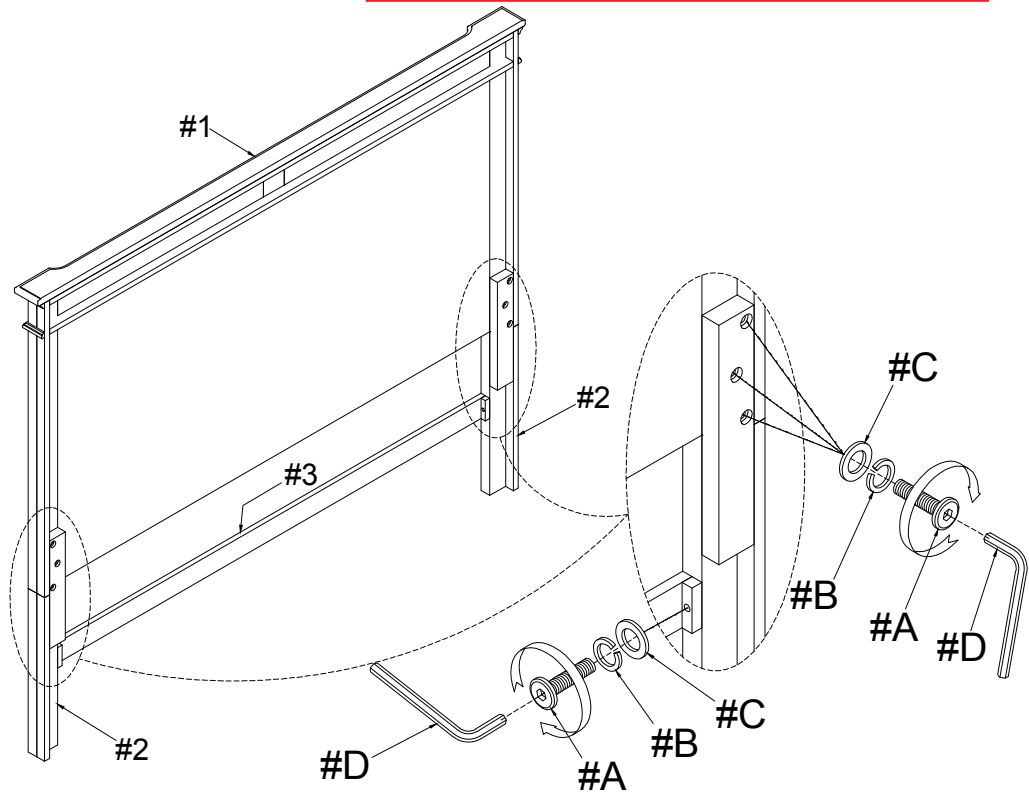
Carton	Disignation	Part	Hardware
CM7134CK-HB	Headboard	#1 	 #A x 8pcs
	HB Legs (L/R) (2pcs)	#2 	 #B x 8pcs  #C x 8pcs
	HB Support Rail	#3 	 #D x 1pc
CM7134CK-FB	Footboard	#4 	 #E x 2pcs  #F x 2pcs
	Footboard Leg (2pcs)	#5 	
	Slat (4pcs)	#6 	
	Support leg (8pcs)	#7 	
CM7134CK-R	Side Rail (2pcs)	#8 	 #G x 1pc  #H x 8pcs  #J x 8pcs  #K x 8pcs  #B x 8pcs  #L x 8pcs

ASSEMBLY INSTRUCTIONS

Align HB legs(#2R/L) to the holes of the Headboard (#1) and HB support rail (#3) then secure by using bolts (#A) with washers (#B,C).

1

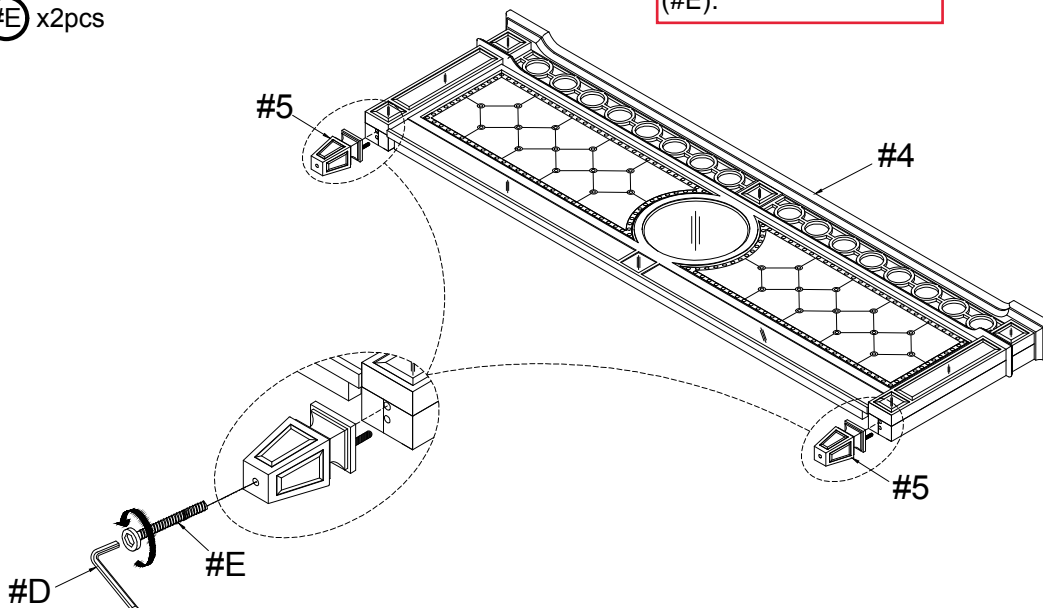
- Part #1 x1pc
- Part #2 x2pcs
- Part #3 x1pc
- Hardware #A x8pcs
- Hardware #B x8pcs
- Hardware #C x8pcs



2

- Part #4 x1pc
- Part #5 x2pcs
- Hardware #E x2pcs

Align the Legs (#5) to the Footboard (#4) and secure using Bolts (#E).

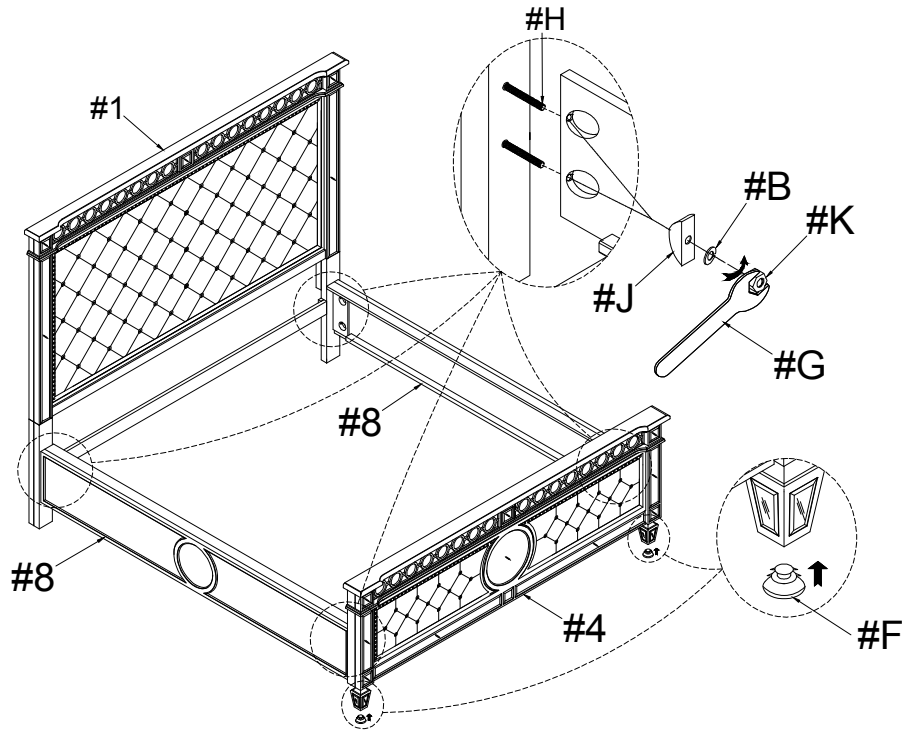


ASSEMBLY INSTRUCTIONS

3

- Part #8 x2pcs
- Hardware #B x8pcs
- Hardware #F x2pcs
- Hardware #H x8pcs
- Hardware #J x8pcs
- Hardware #K x8pcs

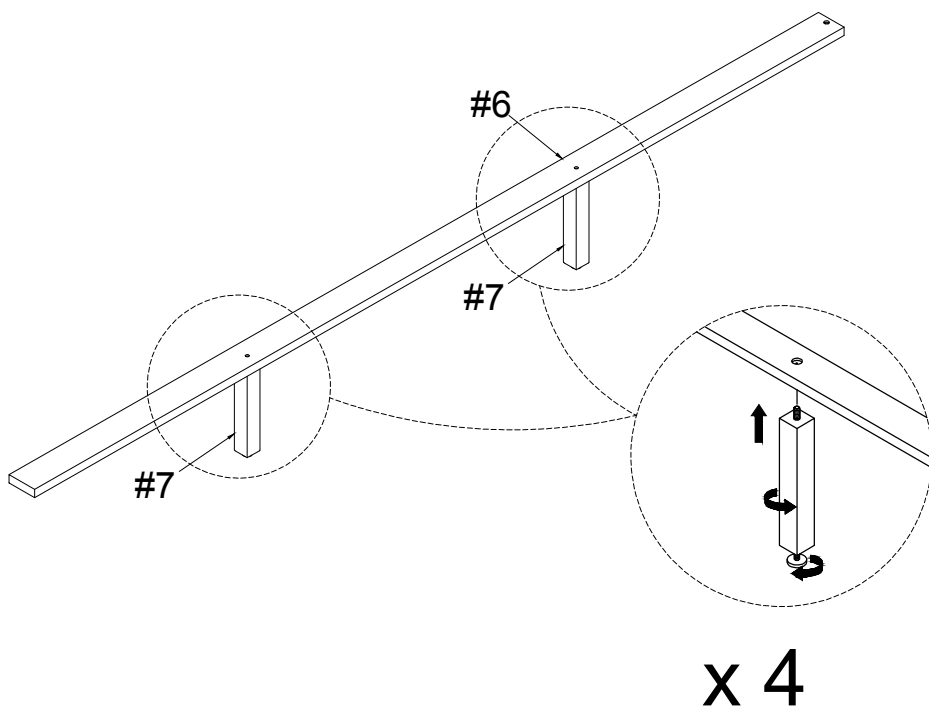
Attach threaded pins (#H) to the Headboard (#1) and Footboard (#4), then align the side rails (#8) to the threaded pins (#H). Secure by using Curved washer (#J) with Lock washer (#B) and Hex nut (#K). Insert Plastic button (#F) onto footboard Legs (#5).



4

- Part #6 x1pc
- Part #7 x2pcs

Attach support legs (#7) to the bed slats (#6). Adjust the leveler of the support legs (#7) according to the ground level.

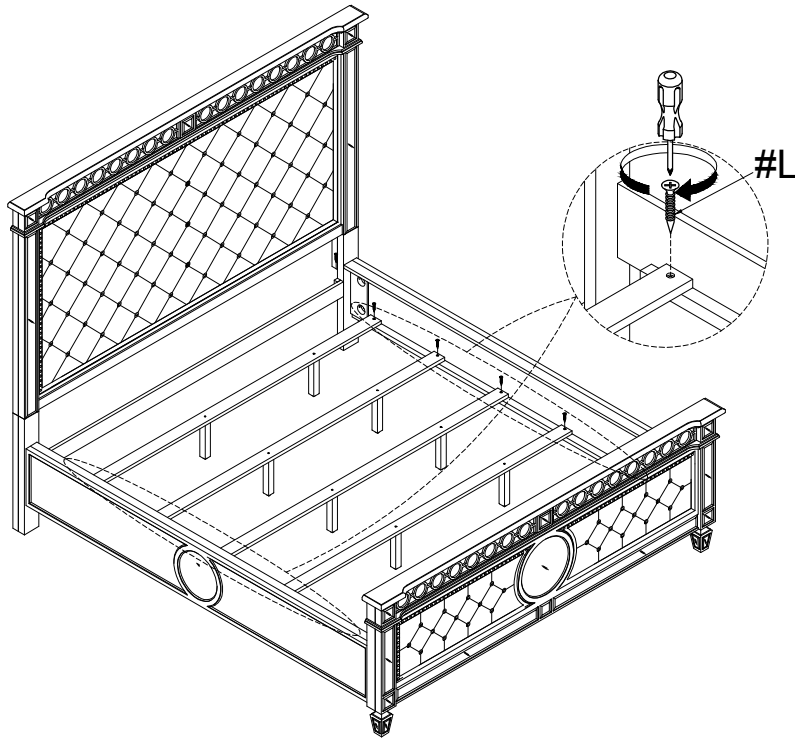


ASSEMBLY INSTRUCTIONS

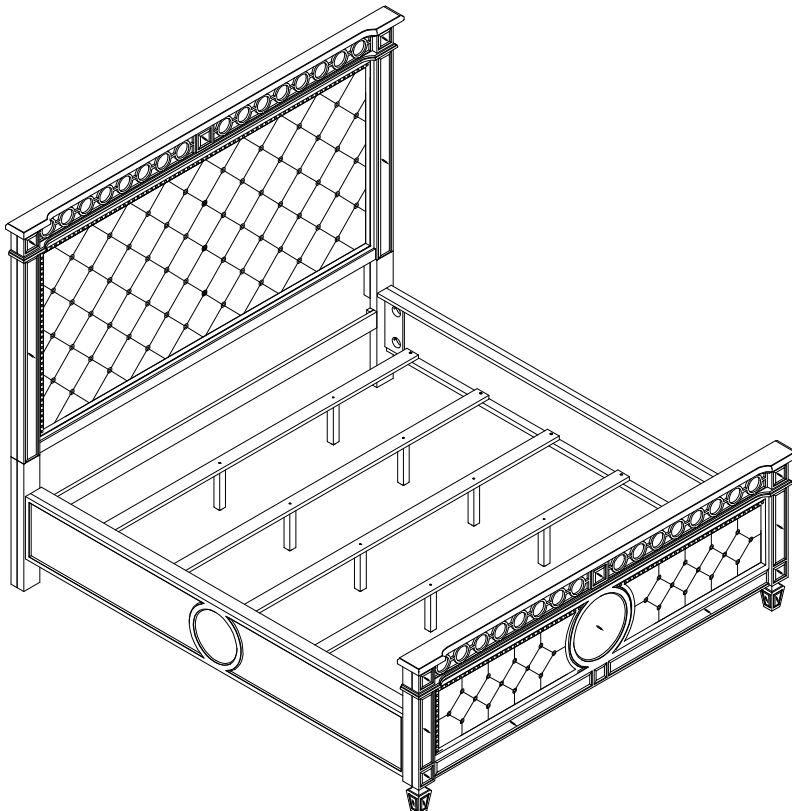
5

Hardware  x8pcs

Align slats (#6) to the side rails (#8), then secure by using screws (#L).



6



ASSEMBLY COMPLETED



Please ensure the furniture rests on an even and flat surface. If the product wobbles or feels loose, double-check all bolts and/or screws are properly tightened and secured.



Keep this handy!

Please retain this instruction manual and any order-related information for future reference.



Lift, don't drag!

To avoid damage to product please always LIFT the product when transporting or adjusting the placement.