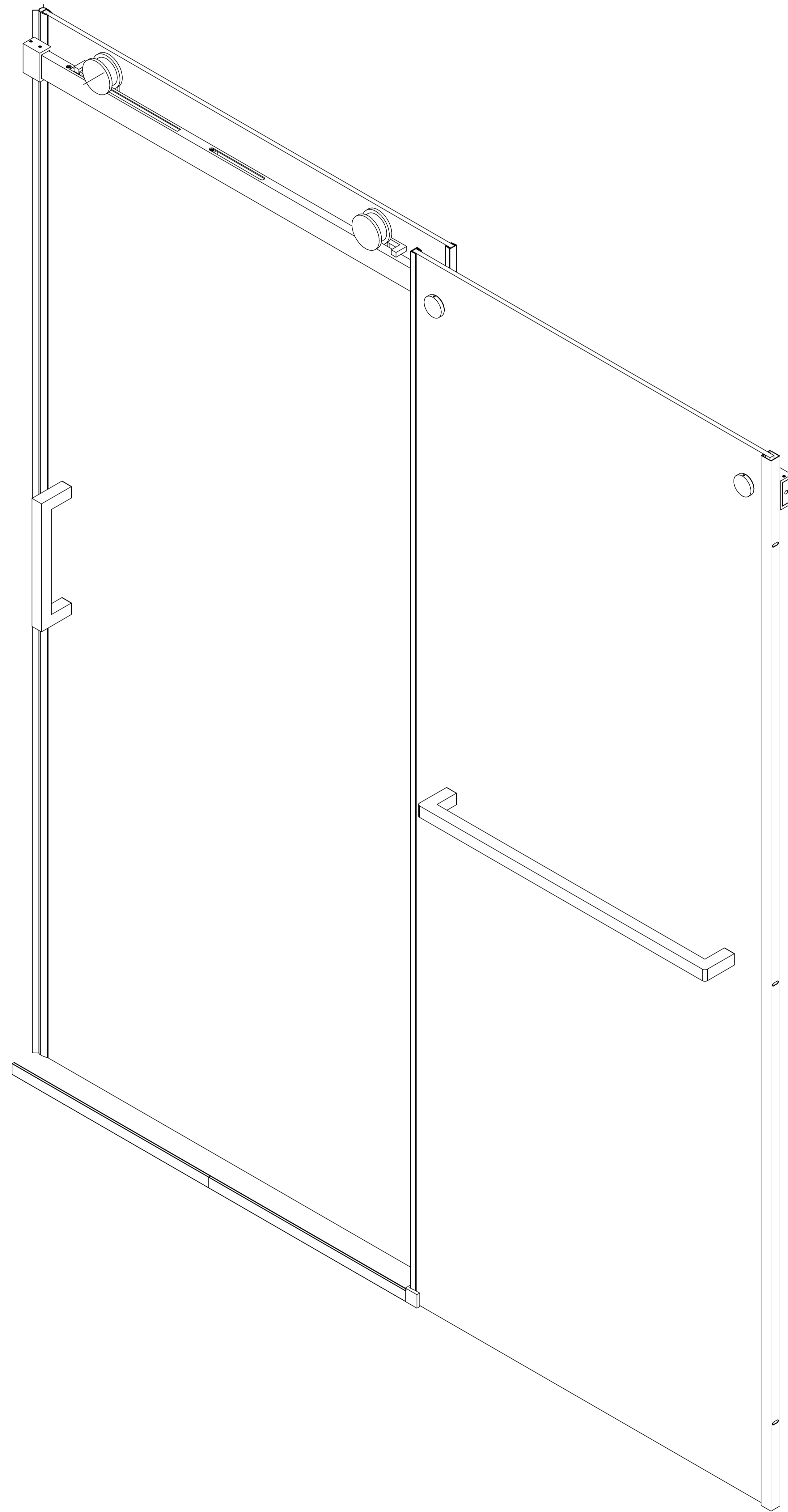


# INSTALLATION MANUAL



## SAFETY INFORMATION

---

### CAUTION

Please carefully read the following important safety information before handling or installing this shower. There is a risk of serious injury while handling this product. To minimize these risks, please note:

- Always wear safety glasses and gloves while handling.
- Always read and follow all the steps in the installation instructions.
- Inspect all contents and glass for damage before installation.
- Extreme caution should be taken while handling the glass during installation as the tempered glass may shatter if in contact with a hard surface.
- Handle the tempered glass with caution! Improperly handling the glass can cause it to break suddenly in small pieces (never in pointed fragments).
- Always take all precautions not to touch the tempered glass with any tools during the installation, or after installed.
- Do not cut or modify the tempered glass as it will shatter if cut.
- Carefully remove product from packaging and keep packaging until installation is complete.
- Inspect all parts for damage; if there is damage to the unit prior to installation, please contact customer service at the number provided in this guide.
- Install the shower on a floor that is level and able to accommodate the weight of the unit and an occupant.
- Consult local building codes and compliance standards prior to installation and ensure conformity.
- After installation, and from time to time, check the glass for fit and finish to ensure that nothing has come loose since installation.
- Keep this installation manual for future reference.

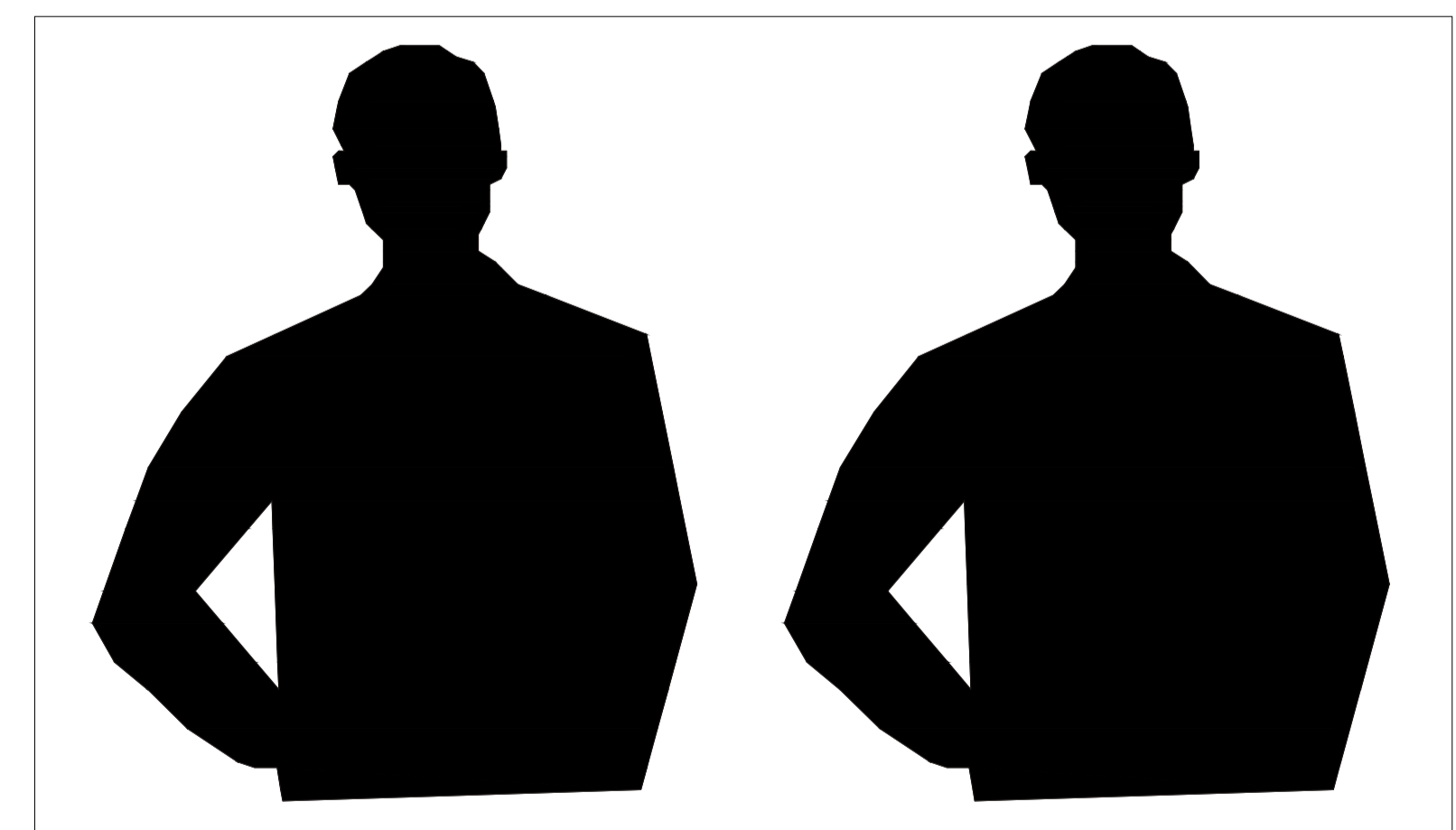
### NOTICE

- Any modification or alteration from what is specified in this instruction manual will void any and all warranty on this product.
- The distributor is not responsible for any damage to the unit or personal property caused by improper installation. If you disregard instructional warnings, you will void your warranty and possibly deal with water damage.

## PREPARATION

---

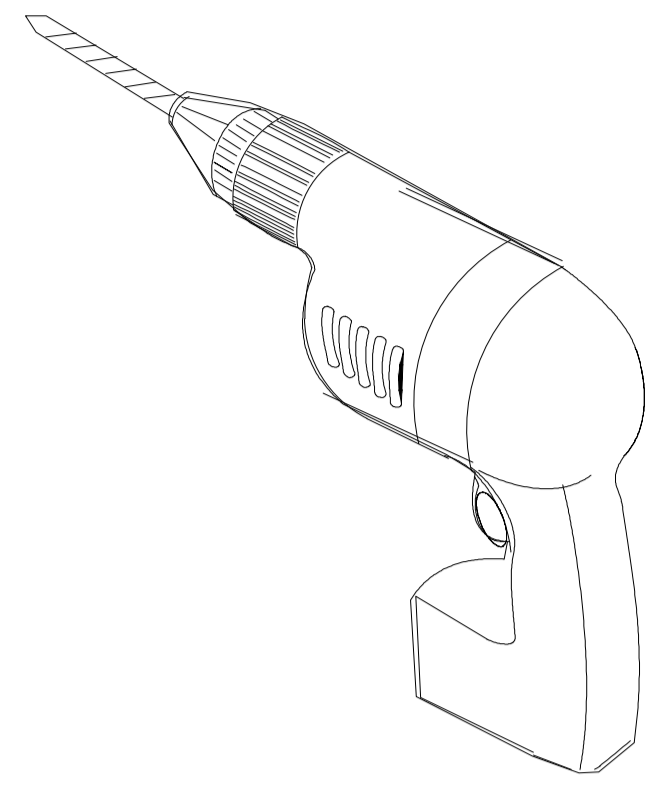
You will need at least two people to install this unit properly.



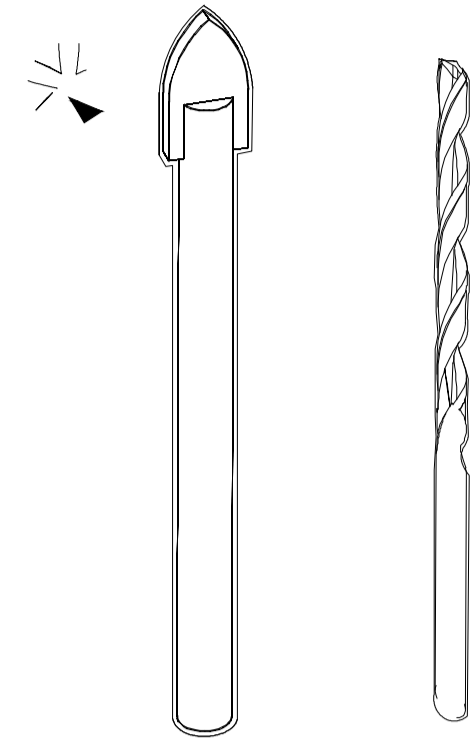
Before beginning assembly of product, make sure all parts are present. Compare parts with package contents list and hardware contents list. If any part is missing or damaged, do not attempt to assemble the product.

**Estimated Assembly Time: Shower (60 min).**

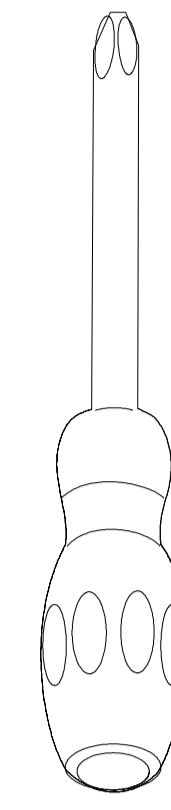
REQUIRED TOOLS



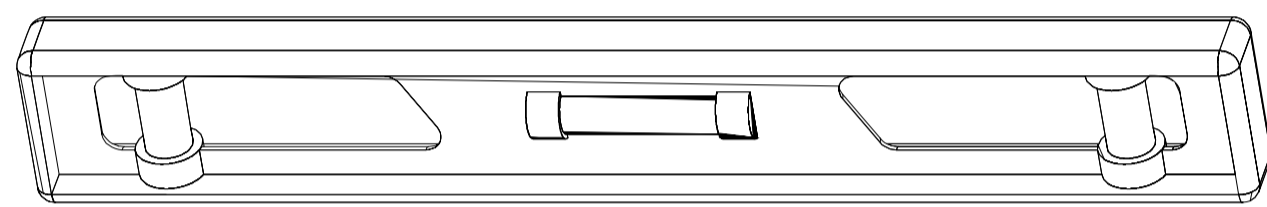
DRILL



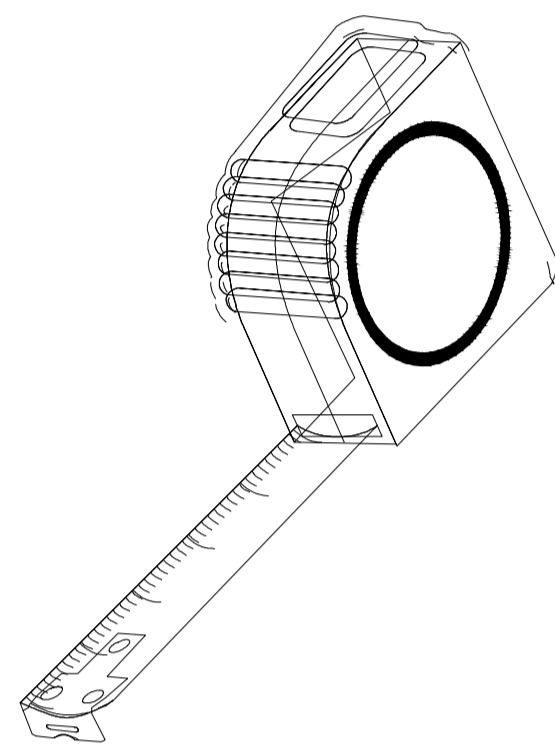
DRILL BITS  
**64mm & 32mm**



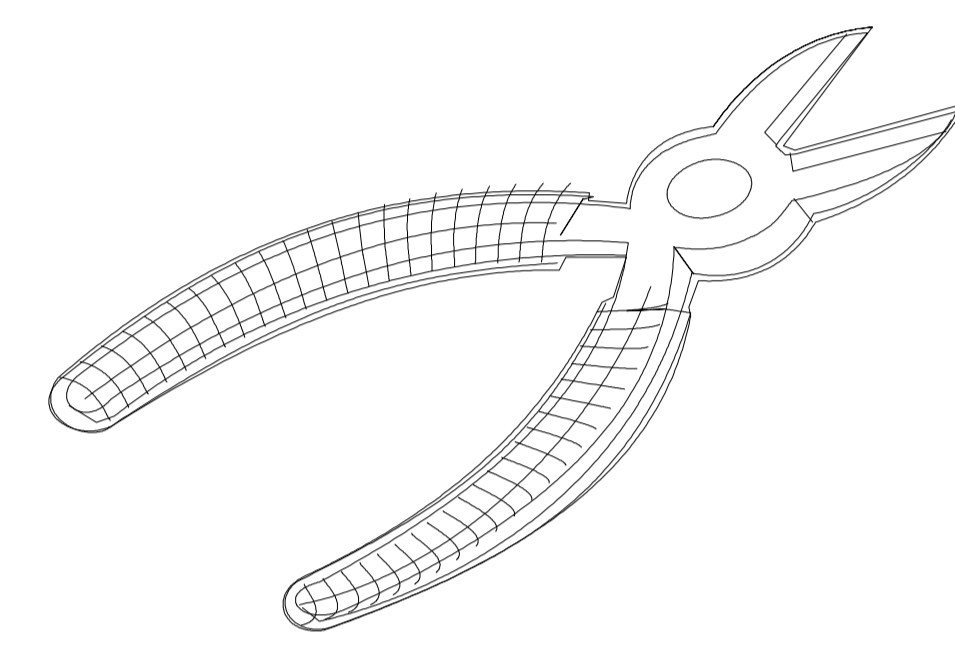
SCREWDRIVER



LEVEL



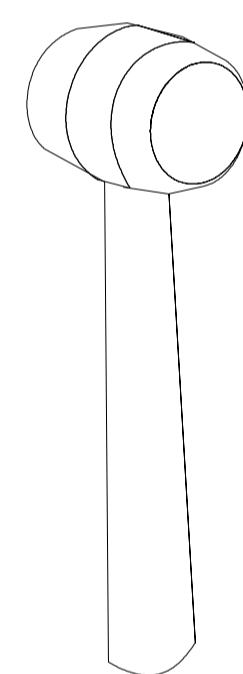
TAPE MEASURE



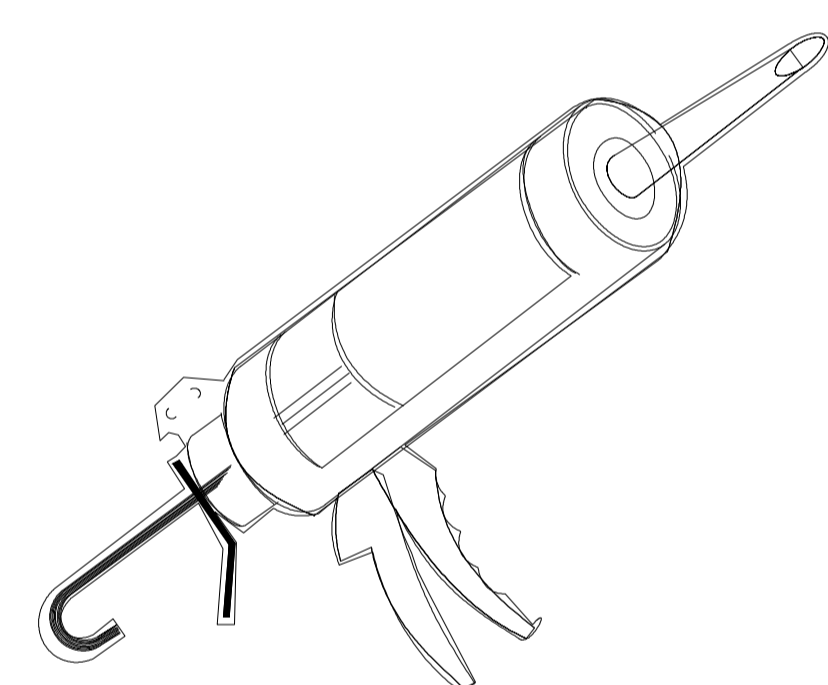
CUTTING PLIER



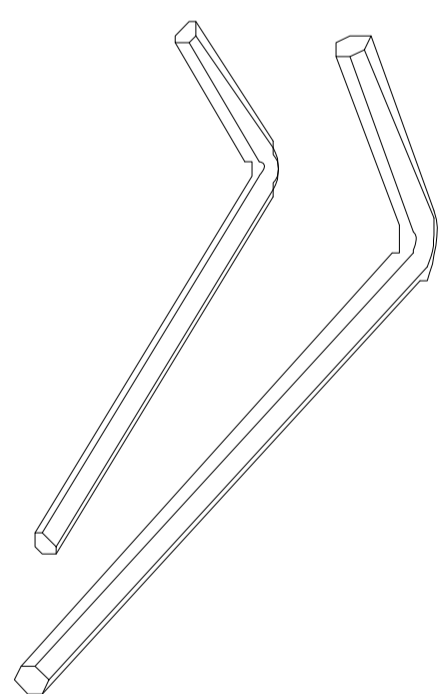
PENCIL



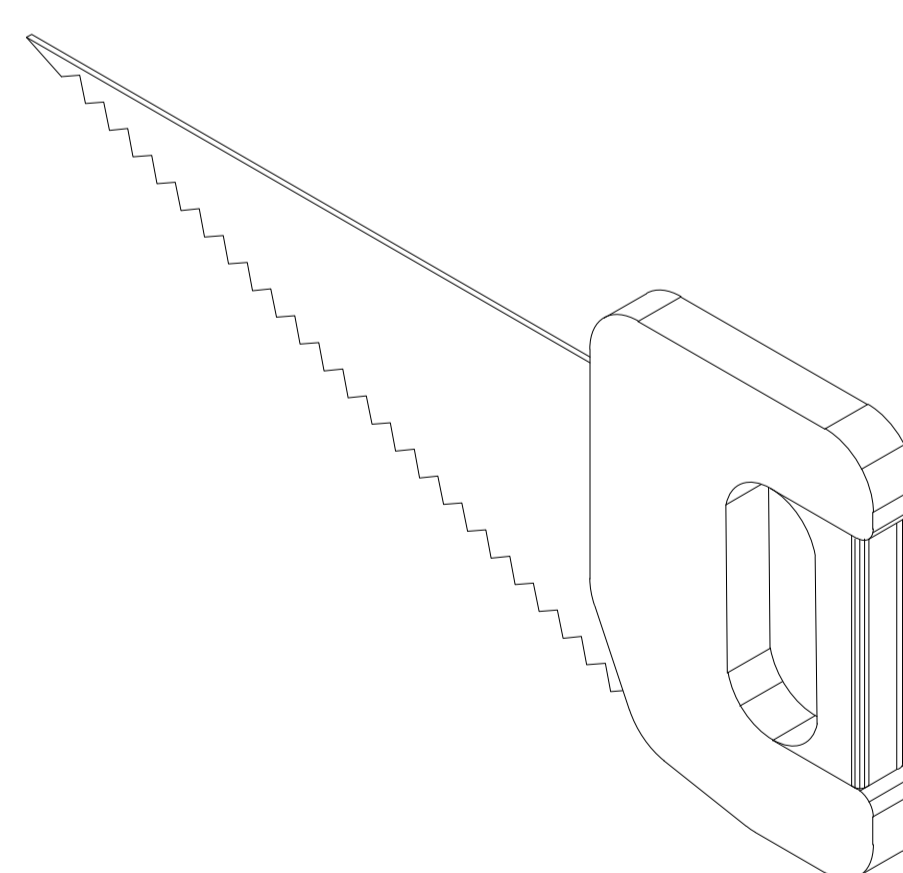
MALLET



SILICONE



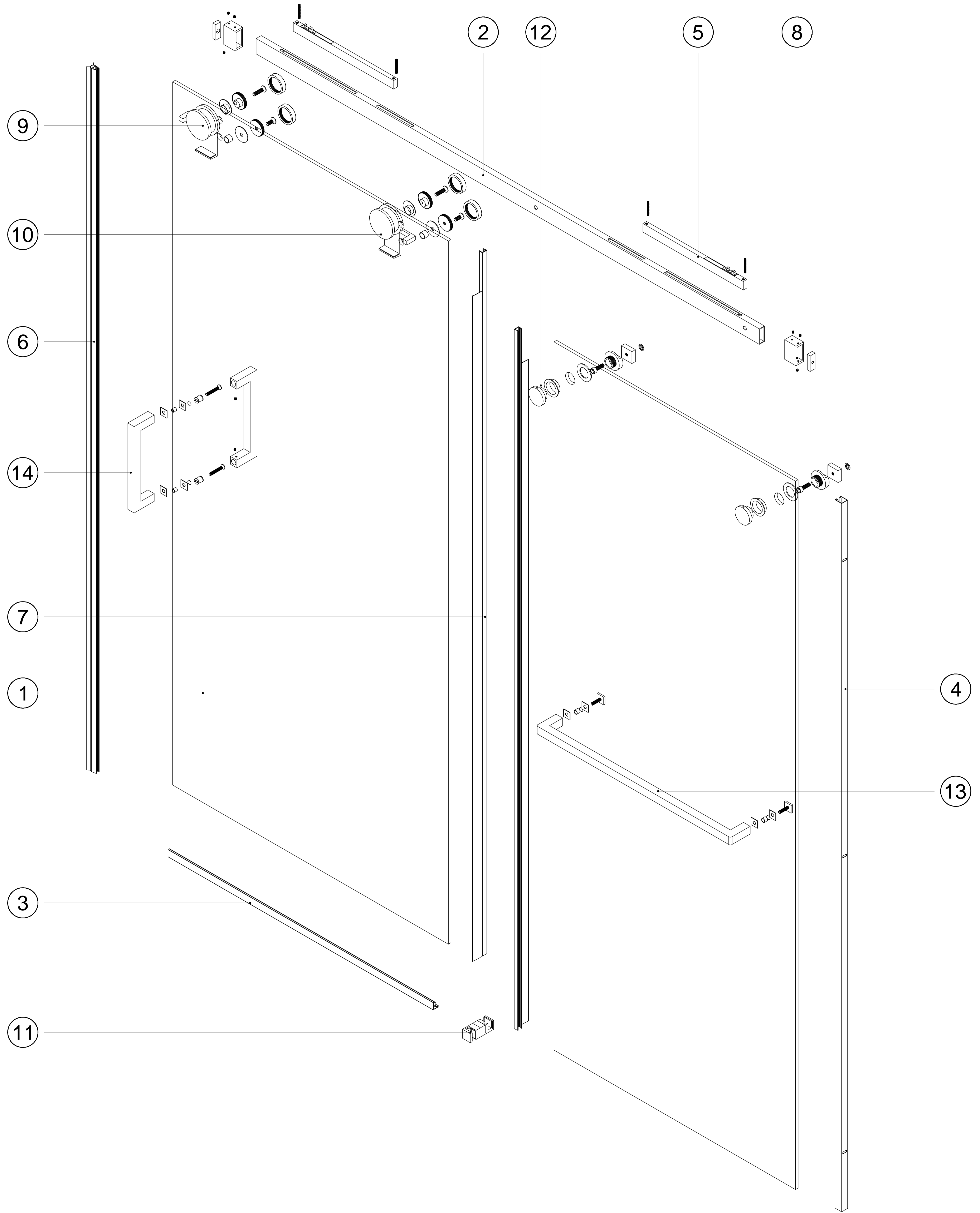
ALLEN KEY  
**2mm&2.5mm&4mm&5mm**



SAW

\* Use a 1/4" drill bit for ceramic when drilling into ceramic tiles

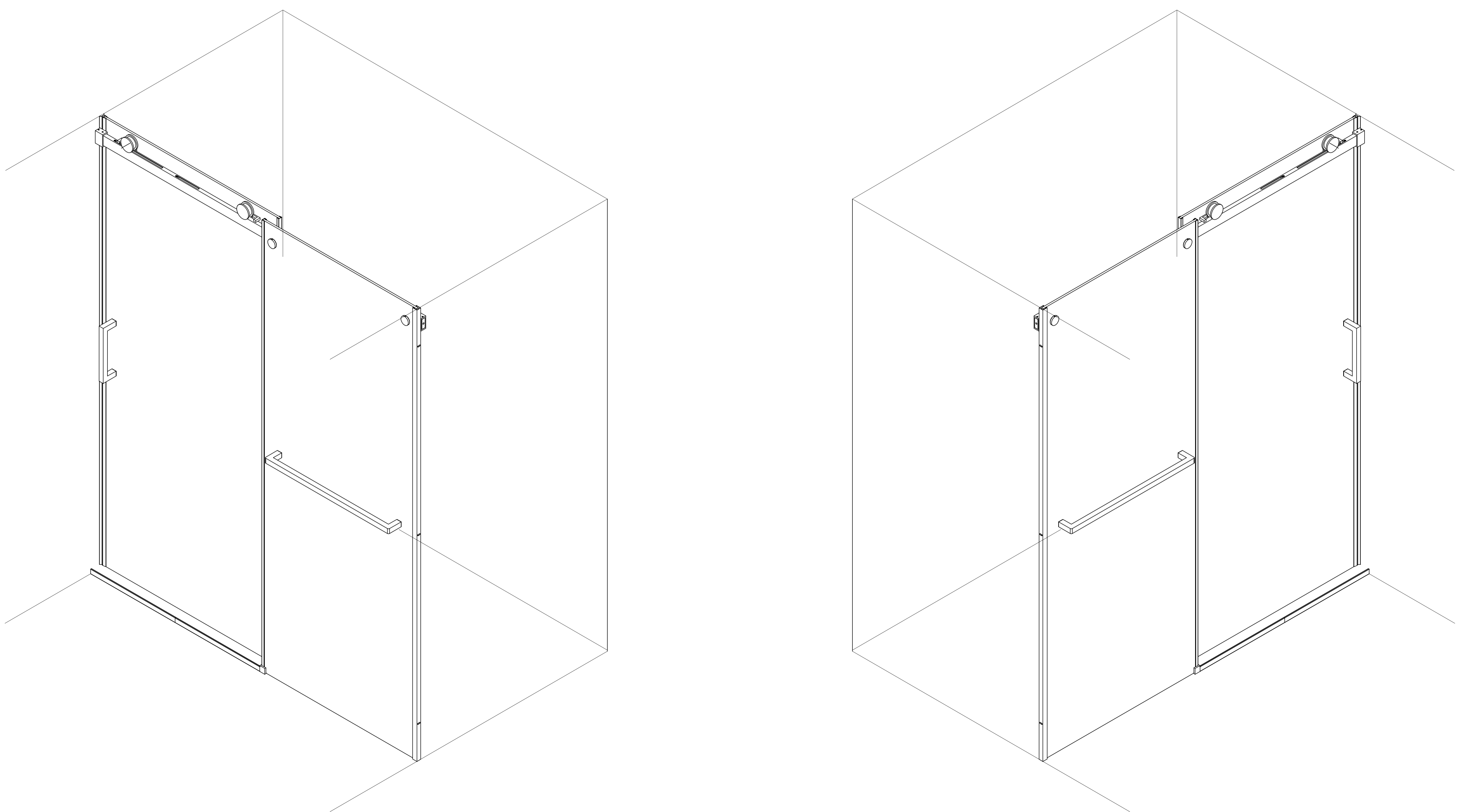
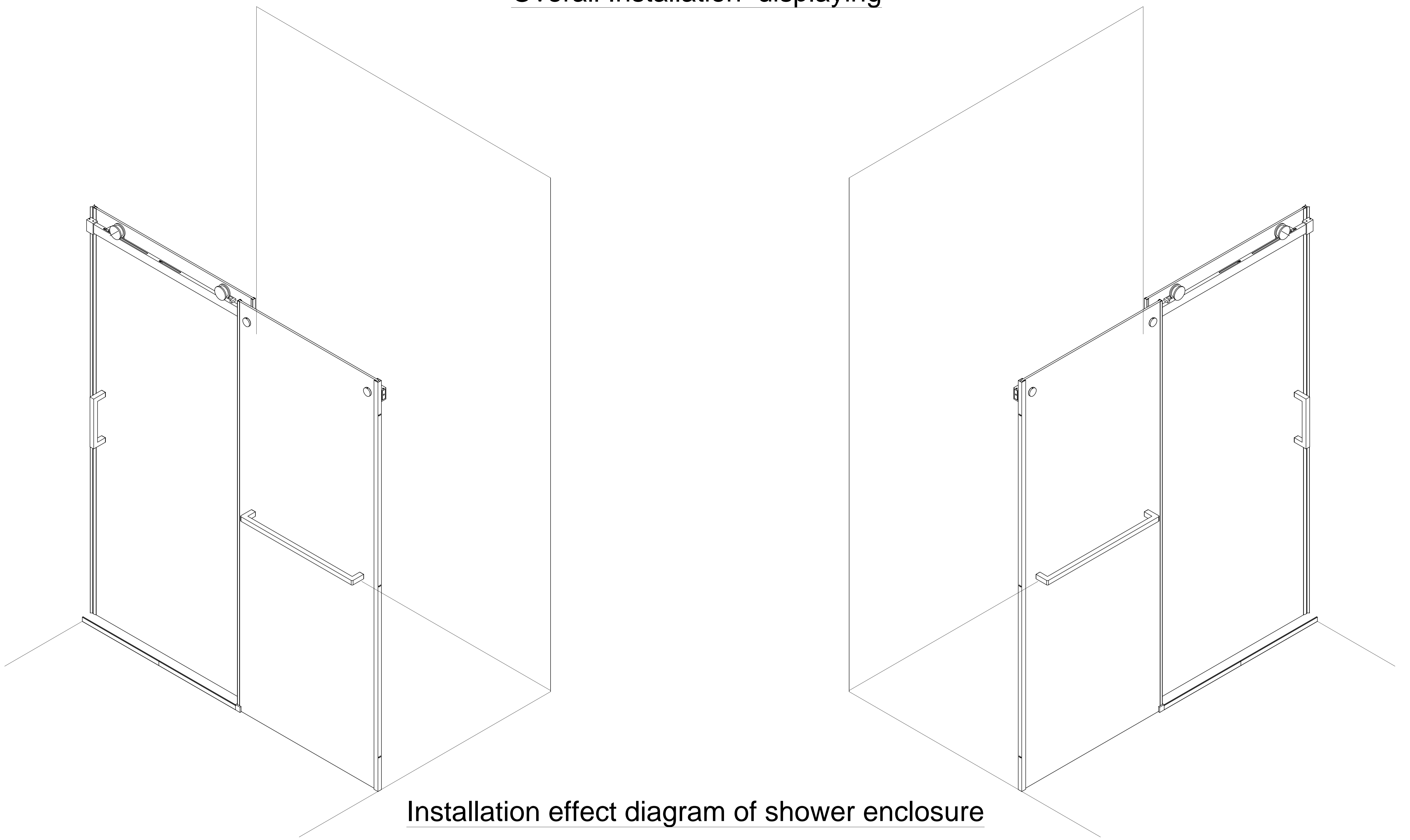
# PARTS AND HARDWARE LISTING



PARTS AND HARDWARE LISTING

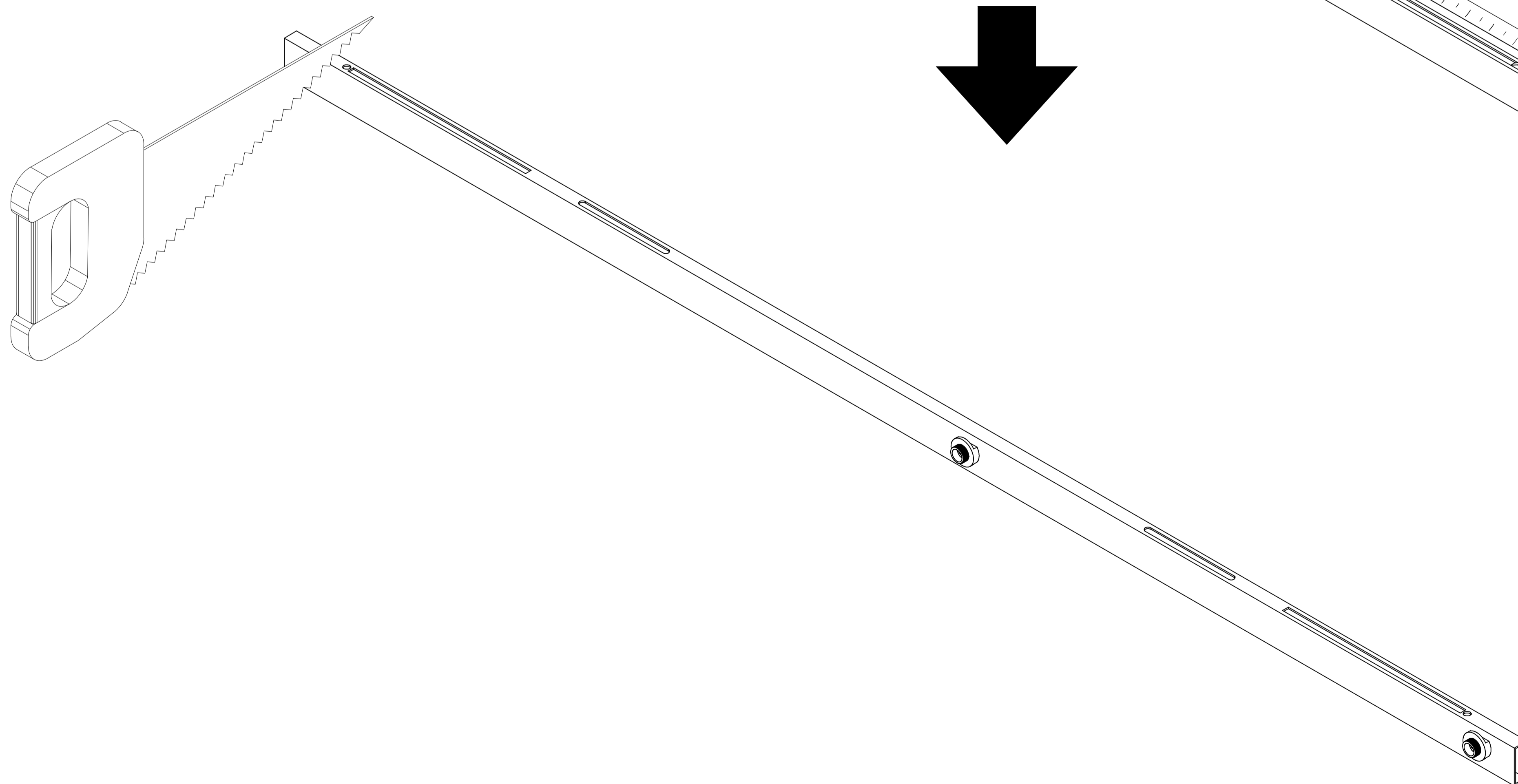
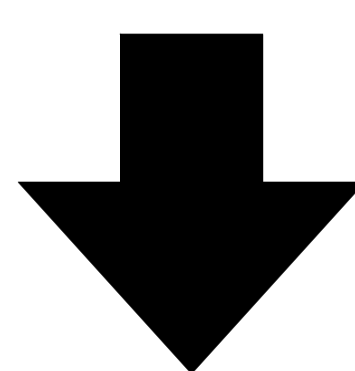
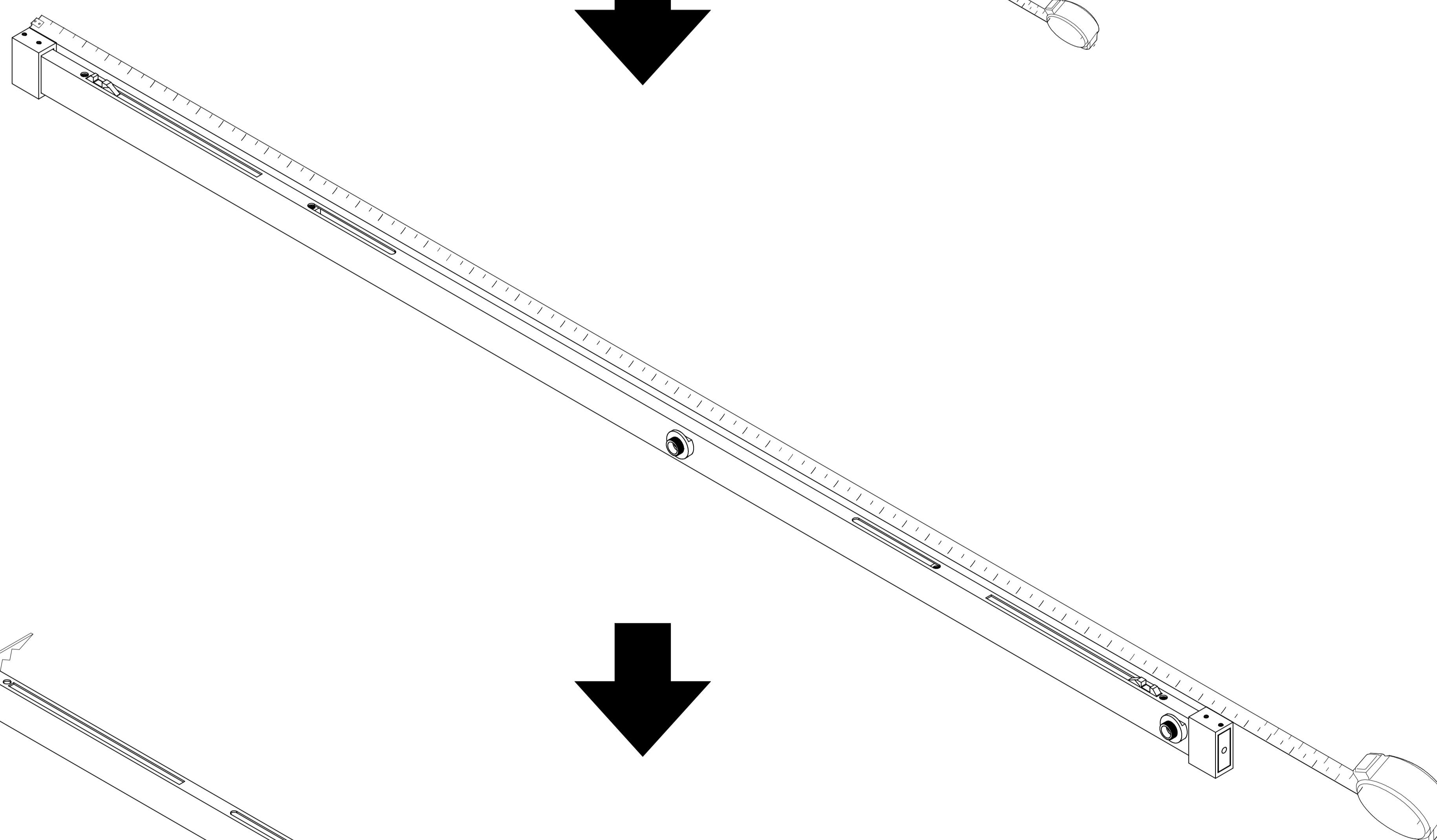
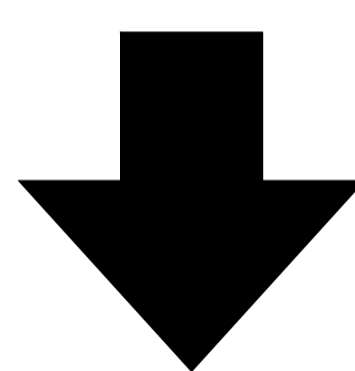
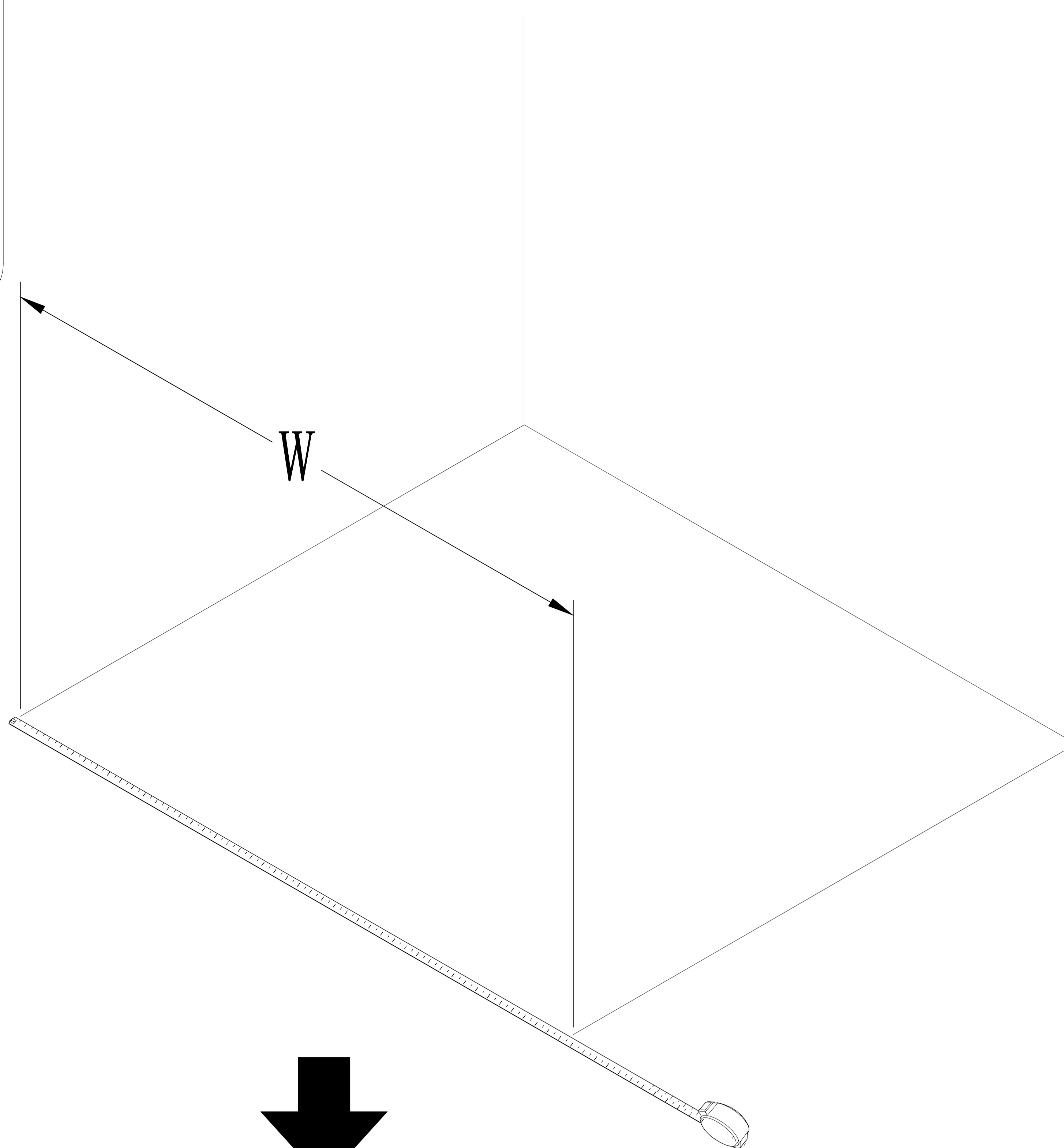
ITEM	NAME	QTY	PICTURE
1	Tempered glass	2	
2	Rail	1	
3	Aluminum bottom baffle	1	
4	Waterproof tape	1	
5	Buffer	2	
6	Solid glass insert waterproof tape	1	
7	Side water baffle strip	2	
8	Wall seat	2	
9	Left buffer pulley	1	
10	Right buffer pulley	1	
11	Guide	1	
12	Pipe clamp	2	
13	Towel bar	1	
14	Handle	1	
15			
16			
17			
18			
19			
20			

Overall Installation displaying



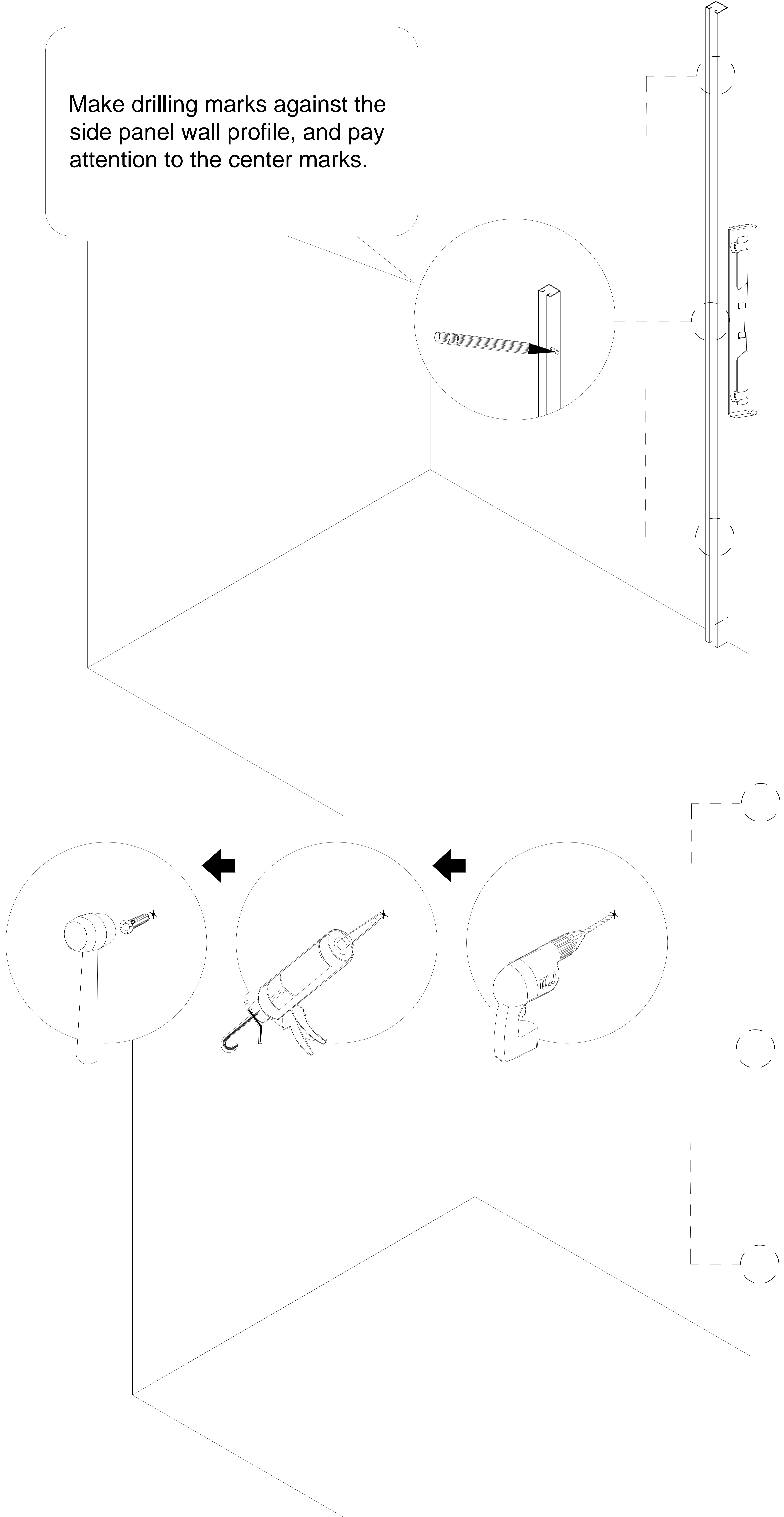
## Wall to wall measurement, cutting the upper guide rail

Measure the site wall to wall dimensions against cutting guides.



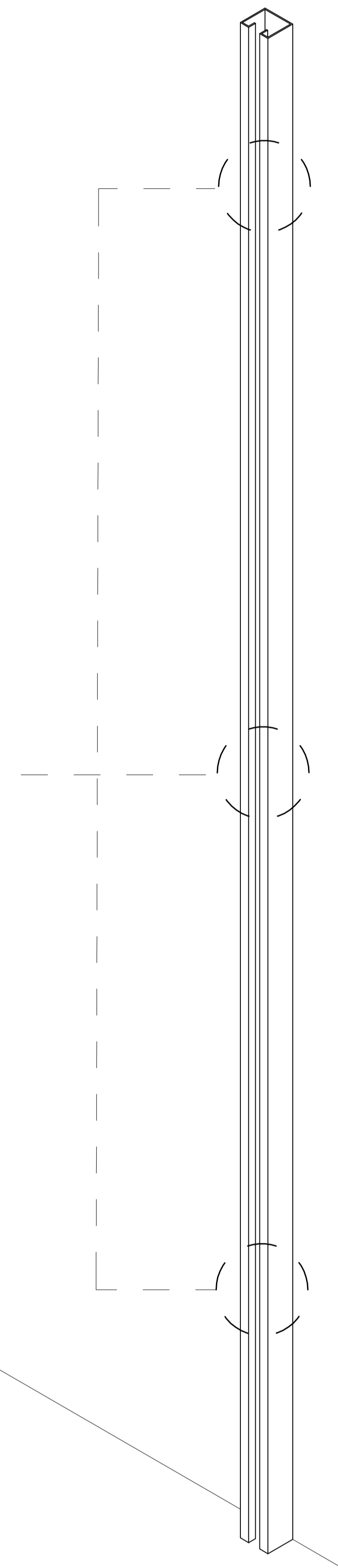
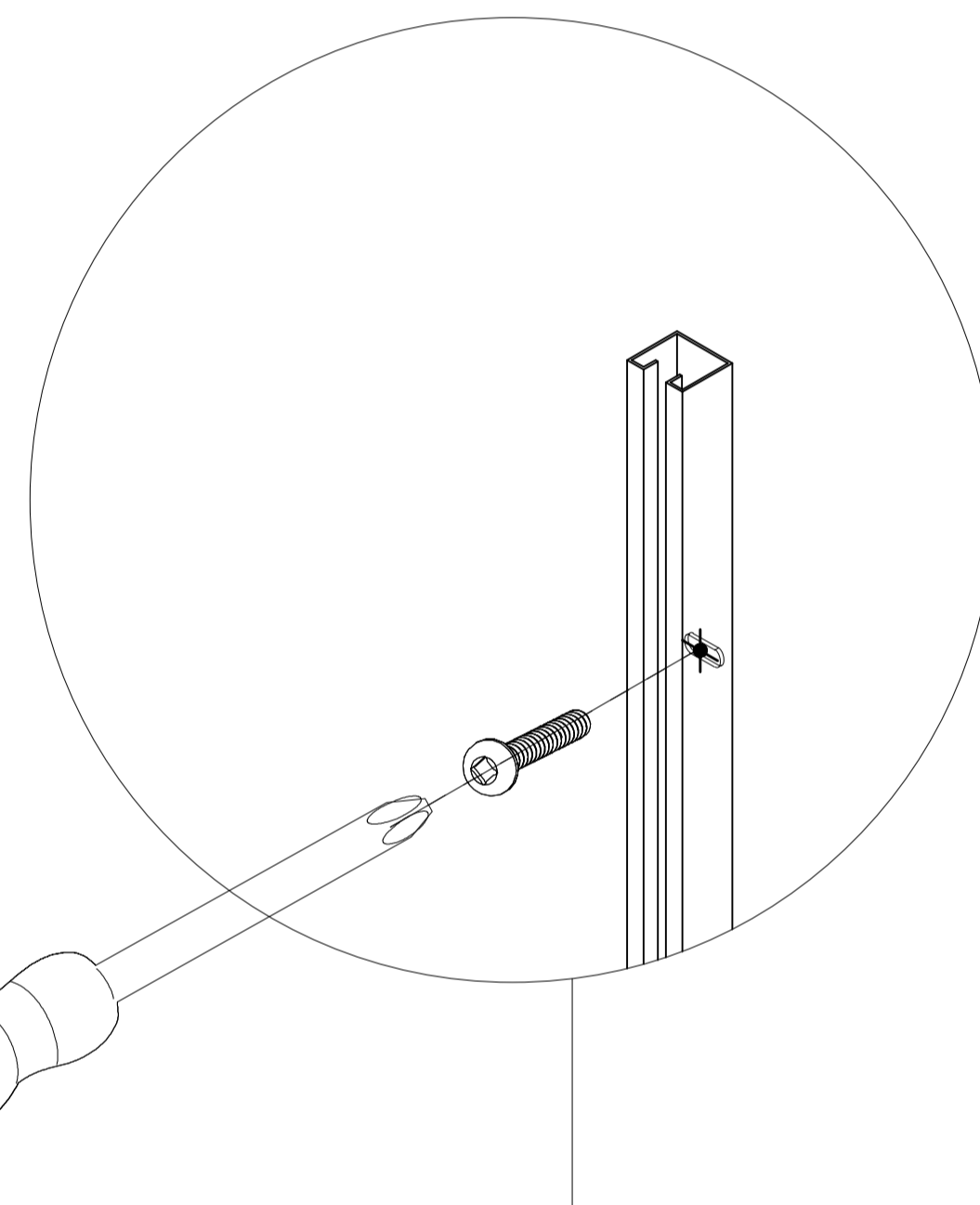
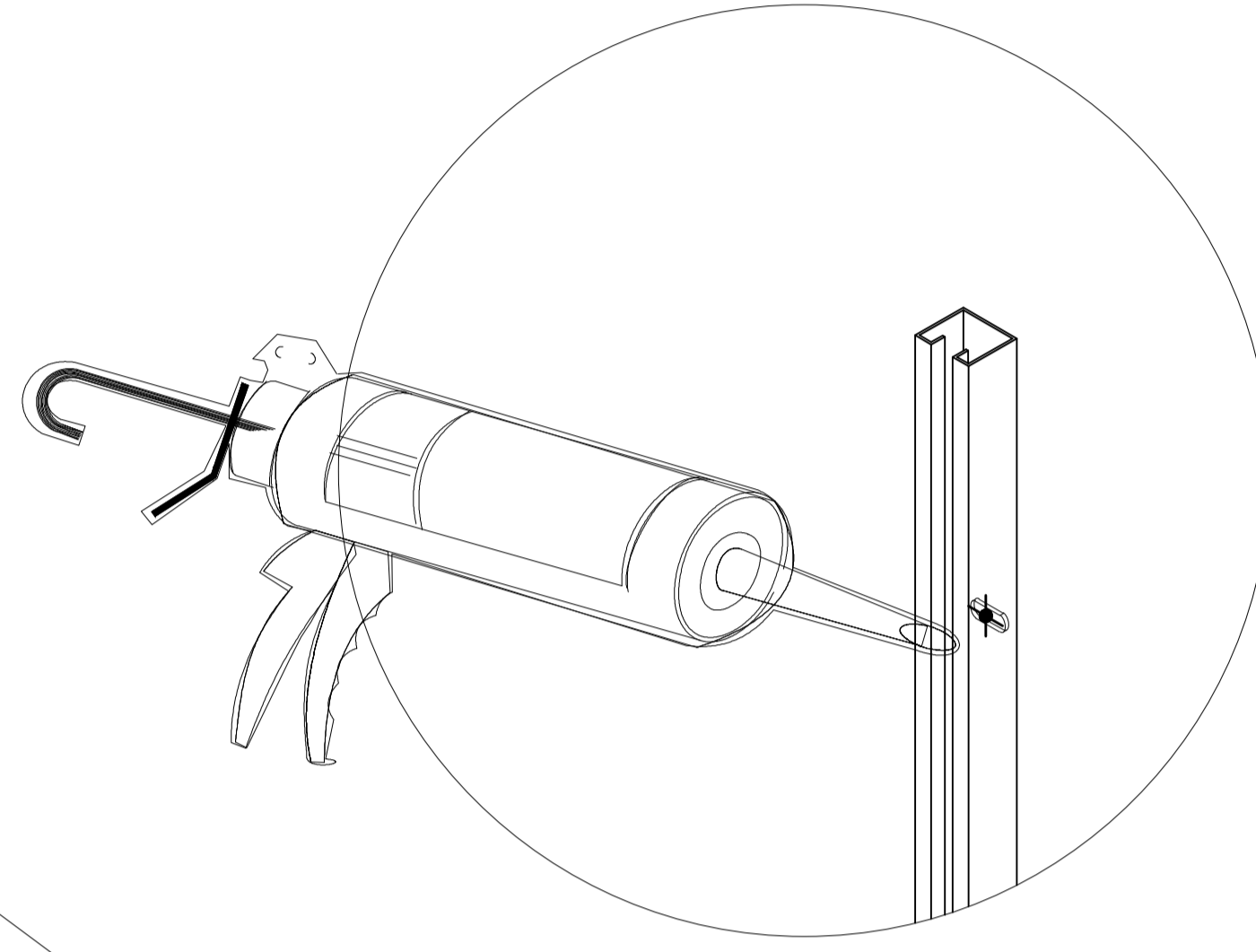
**STEP- 1**

Make drilling marks against the side panel wall profile, and pay attention to the center marks.

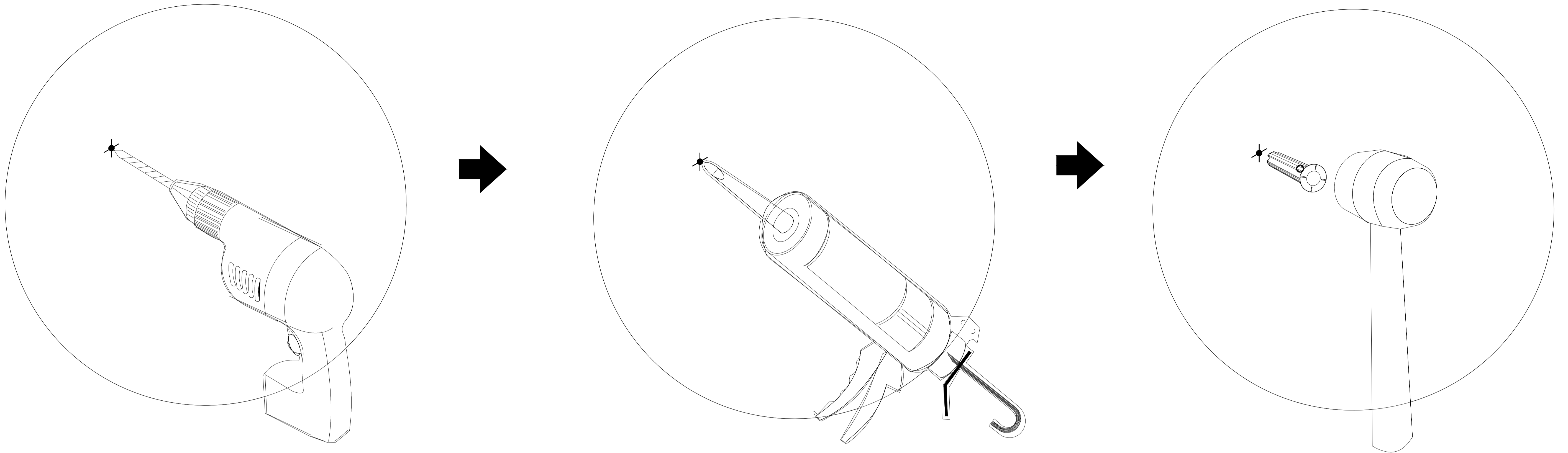


## STEP- 2

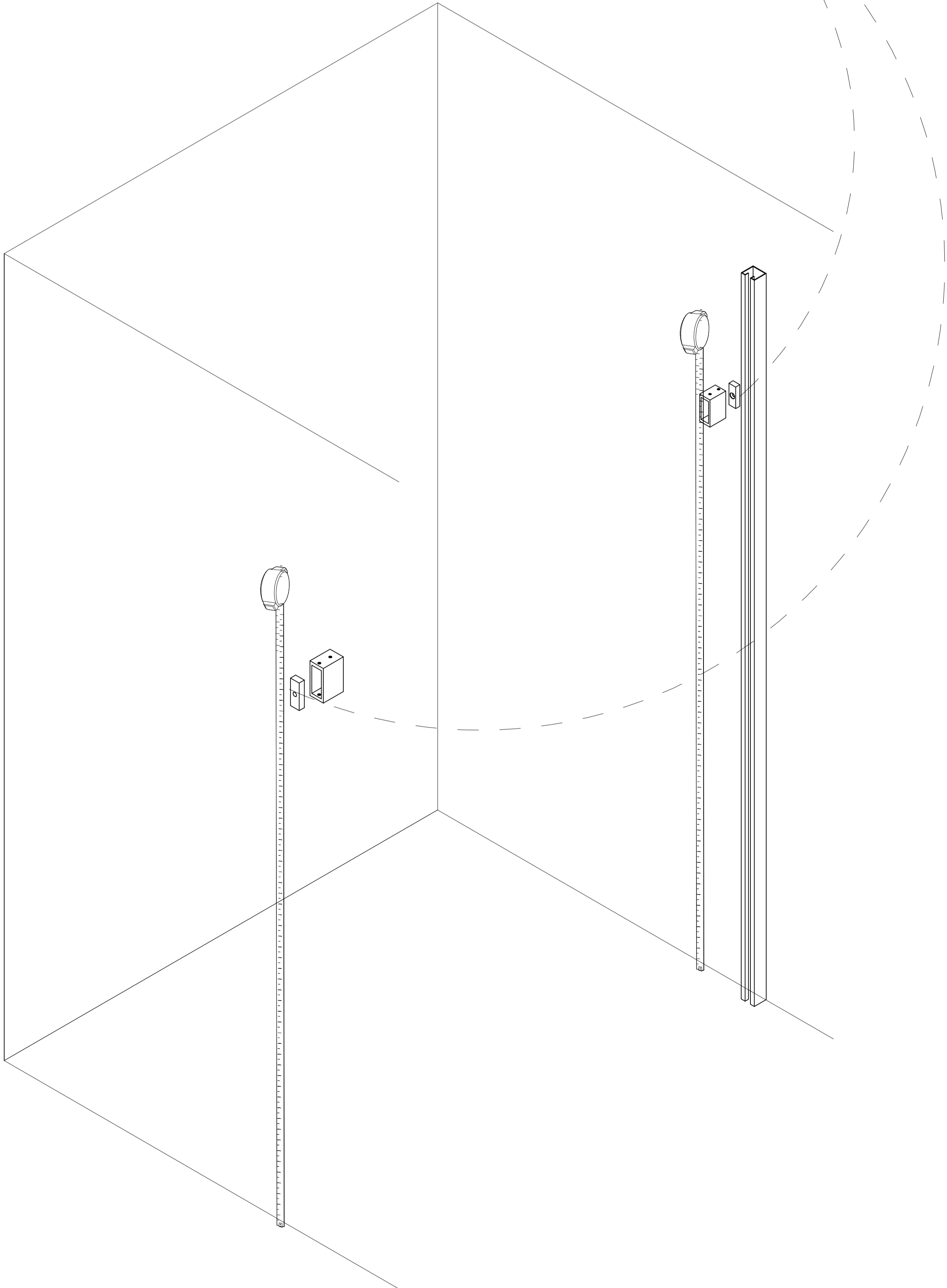
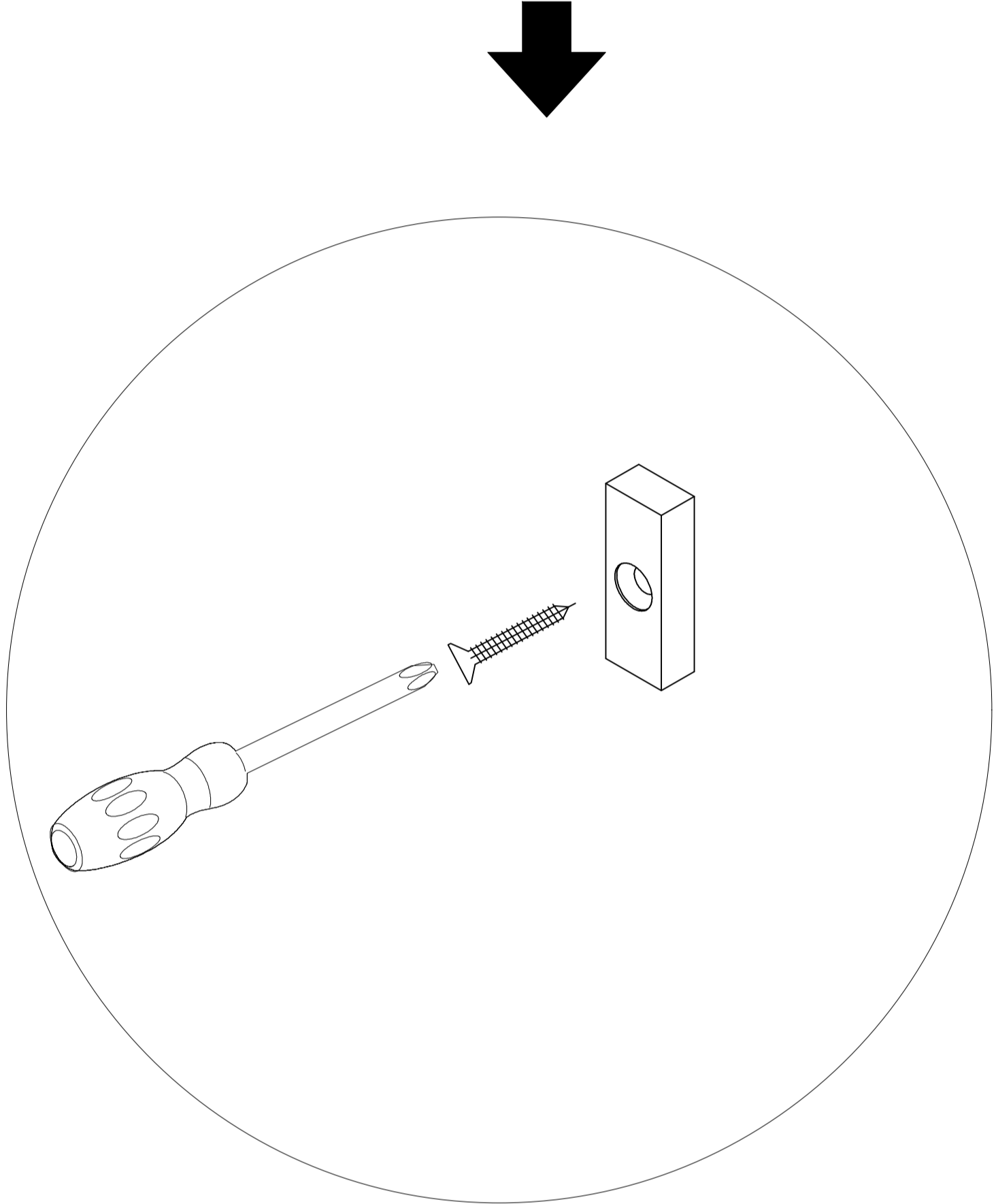
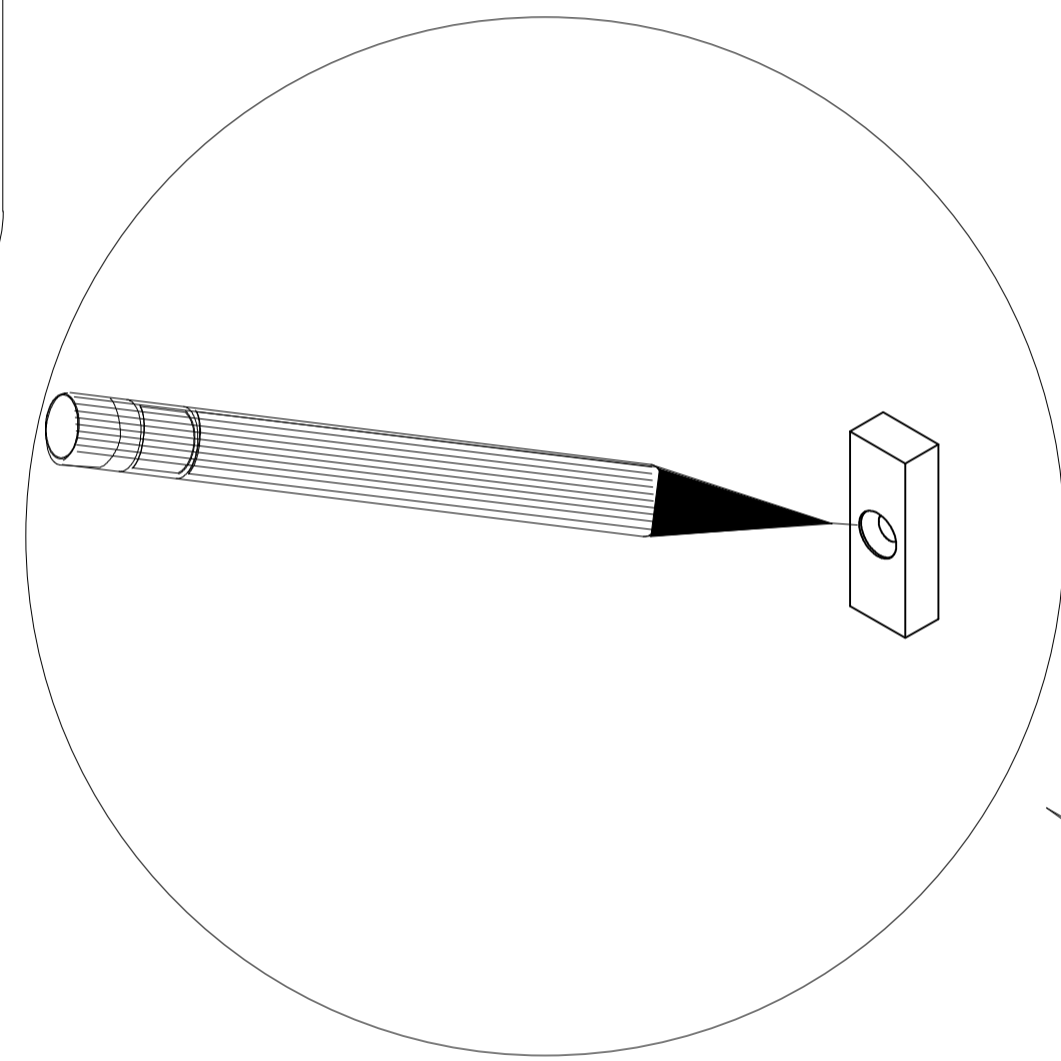
1. Apply glass glue on the back of side panel
2. Use ST-4\*35 stainless steel tapping screws to lock the side panel wall material to the wall.



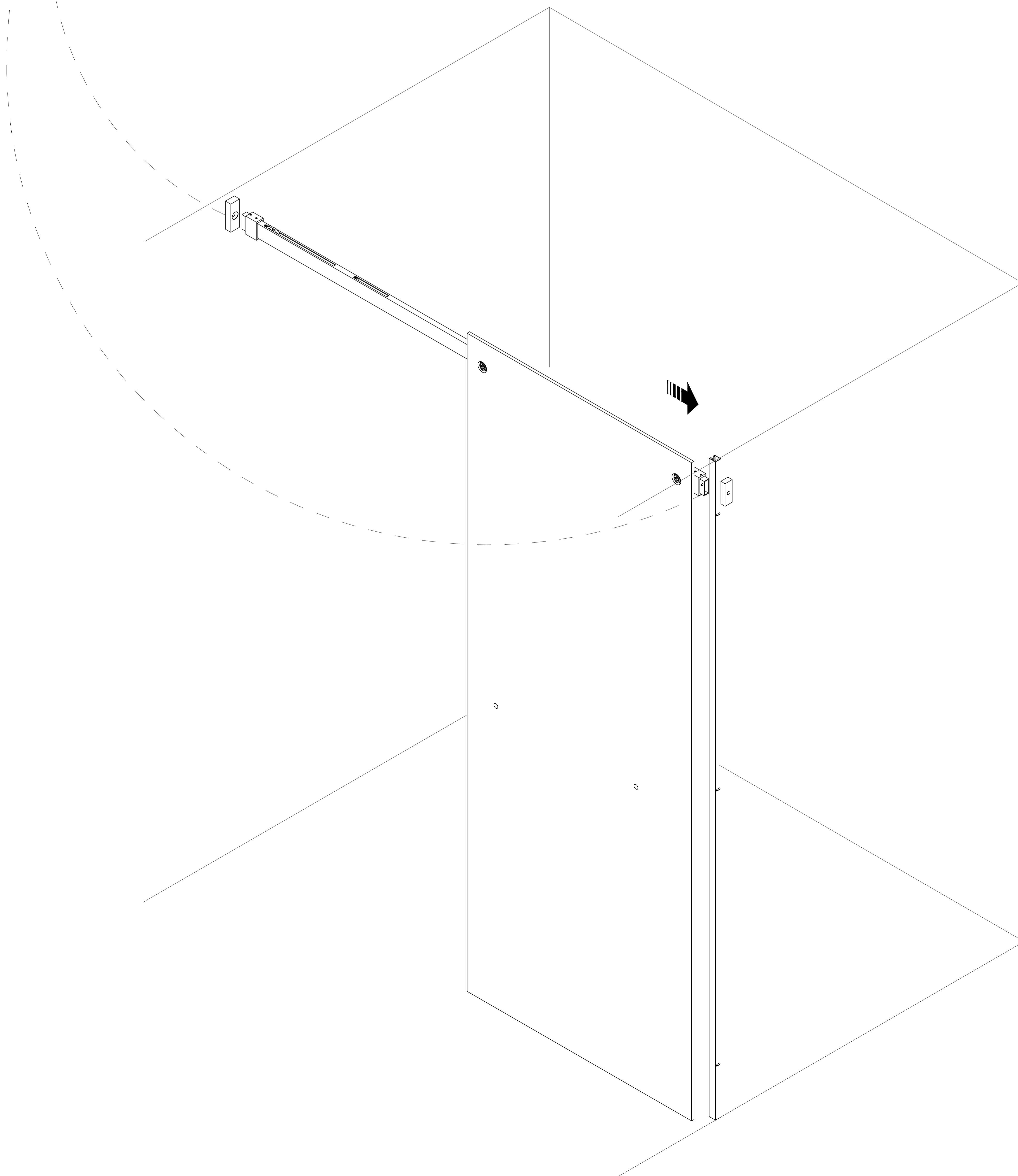
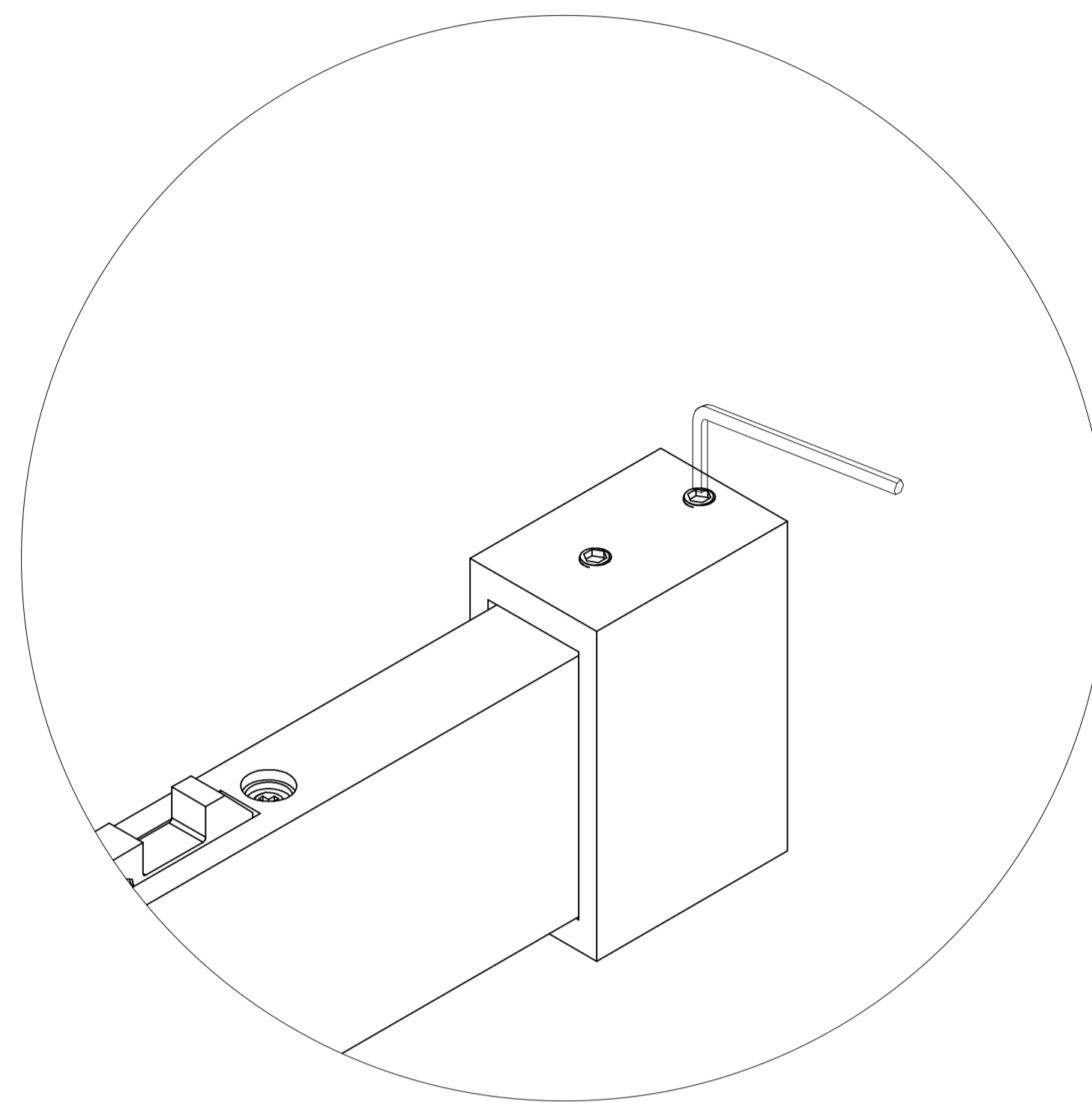
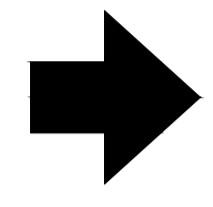
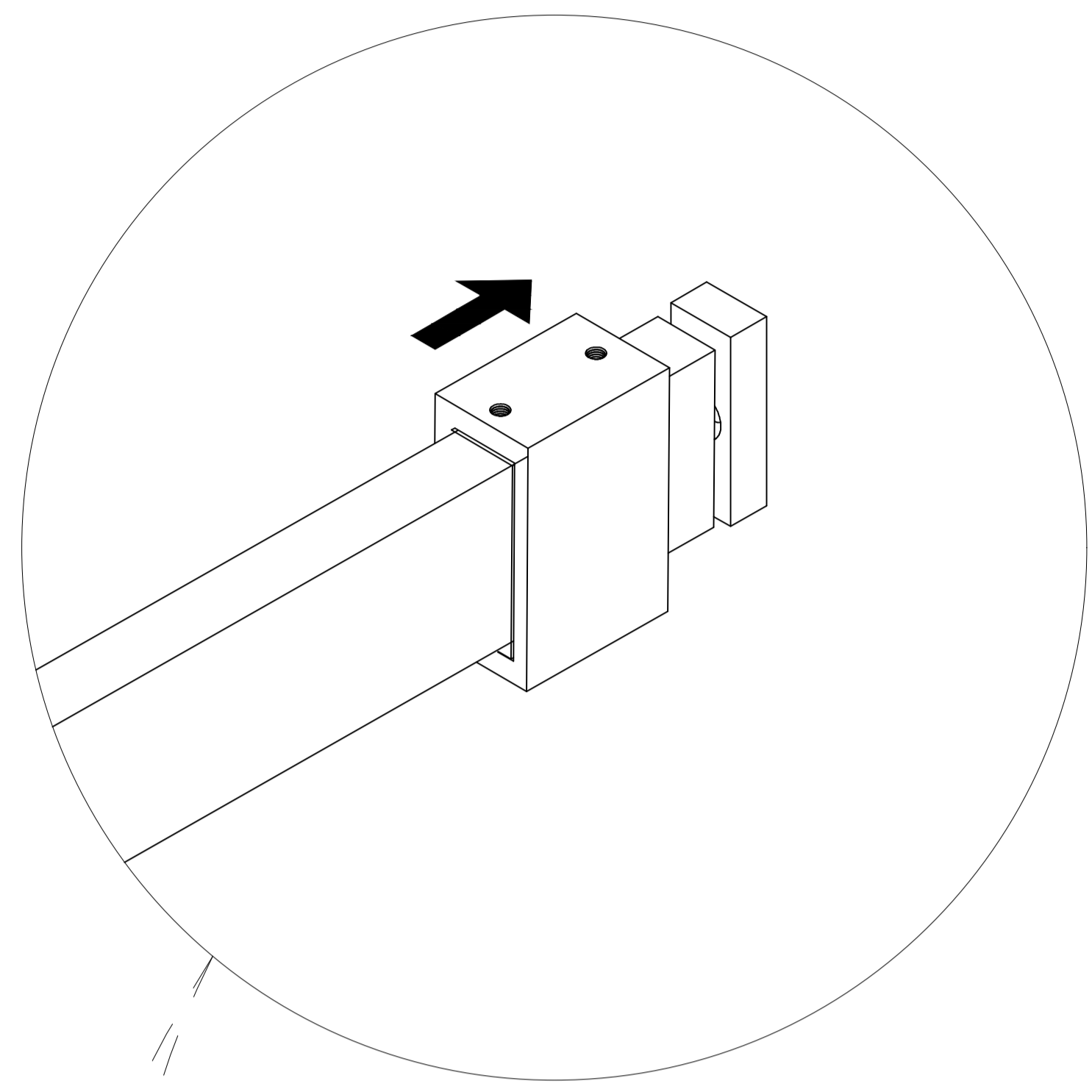
# STEP- 3



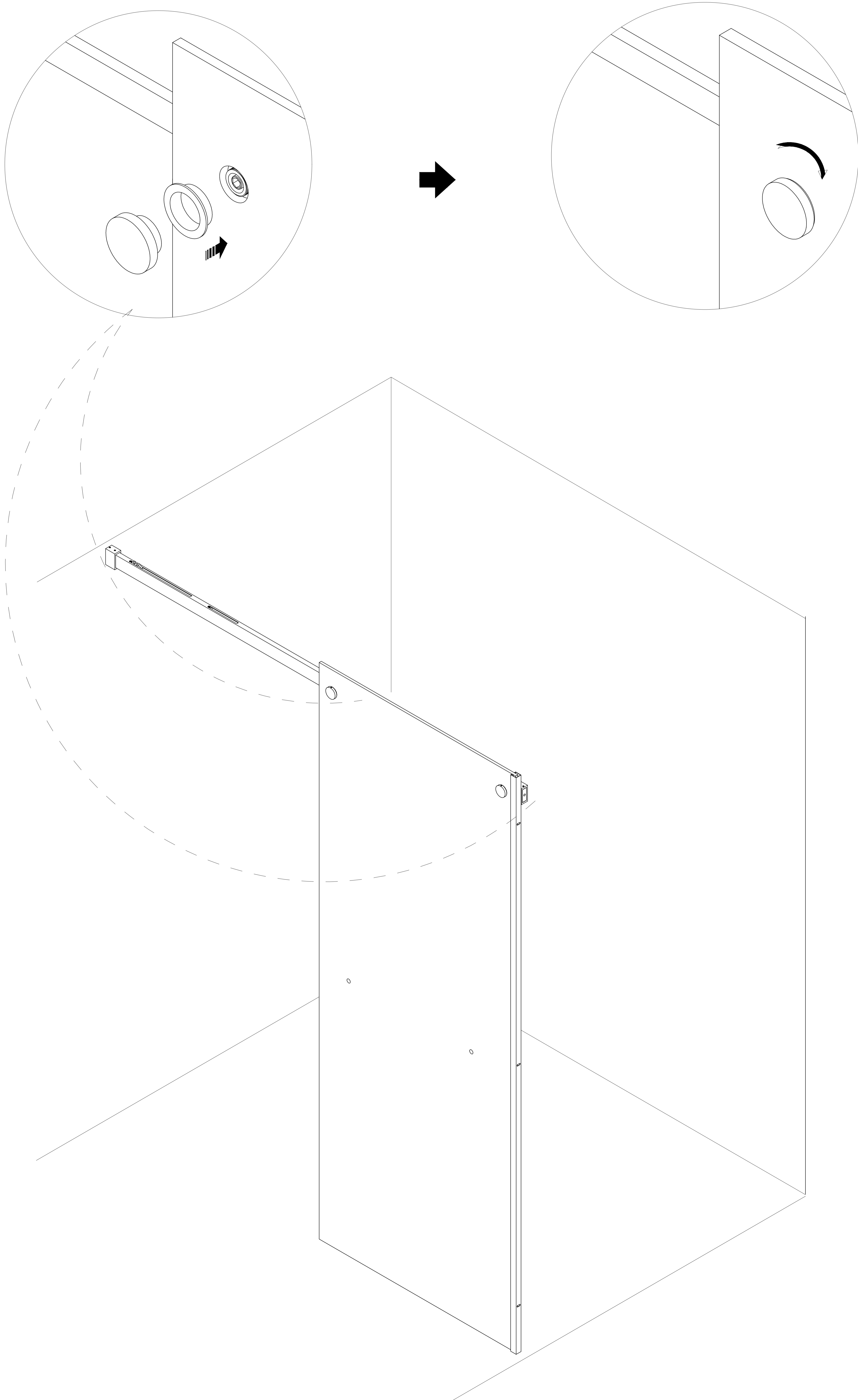
Only installing the Measure the vertical height, place the lock wall seat, and mark the hole location.



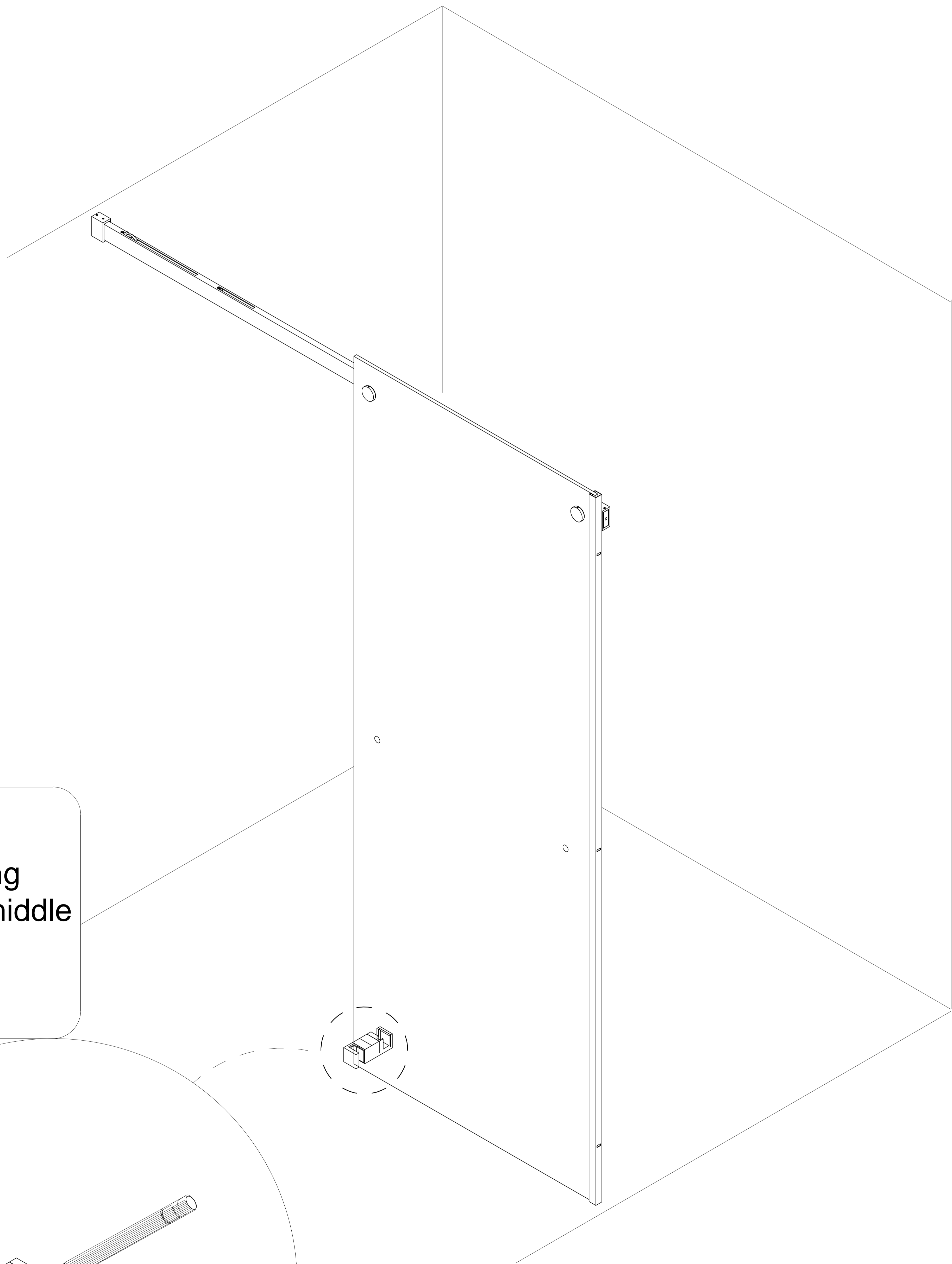
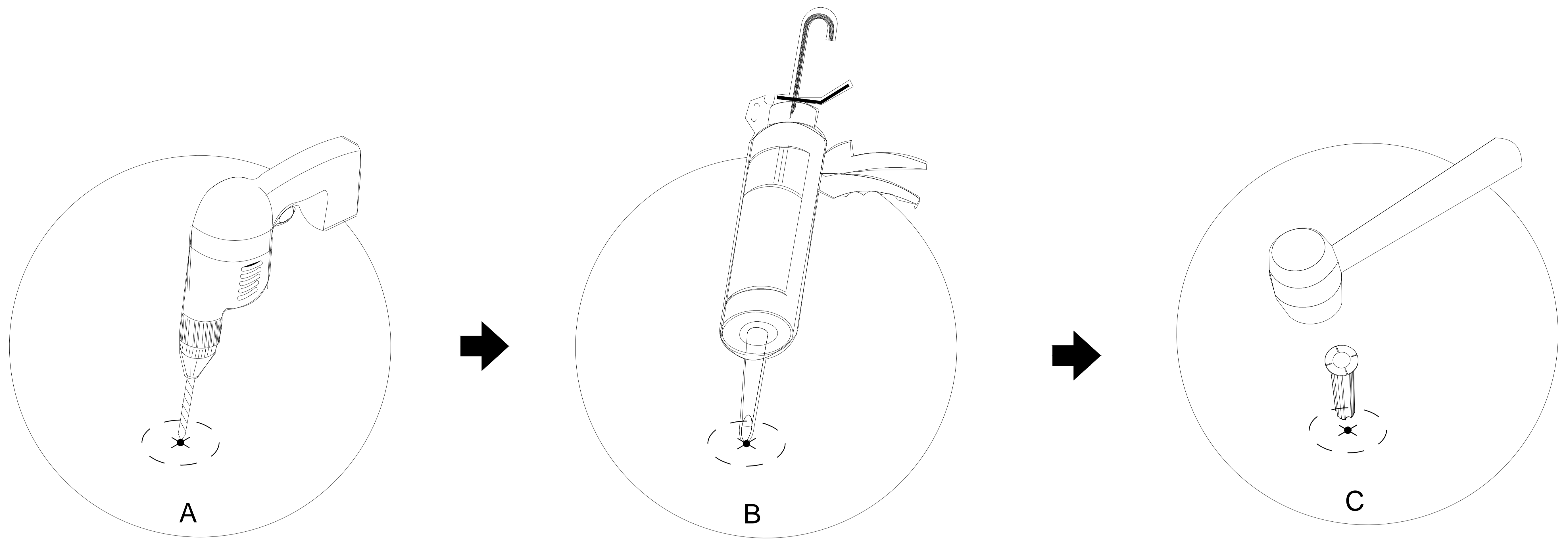
**STEP- 4**



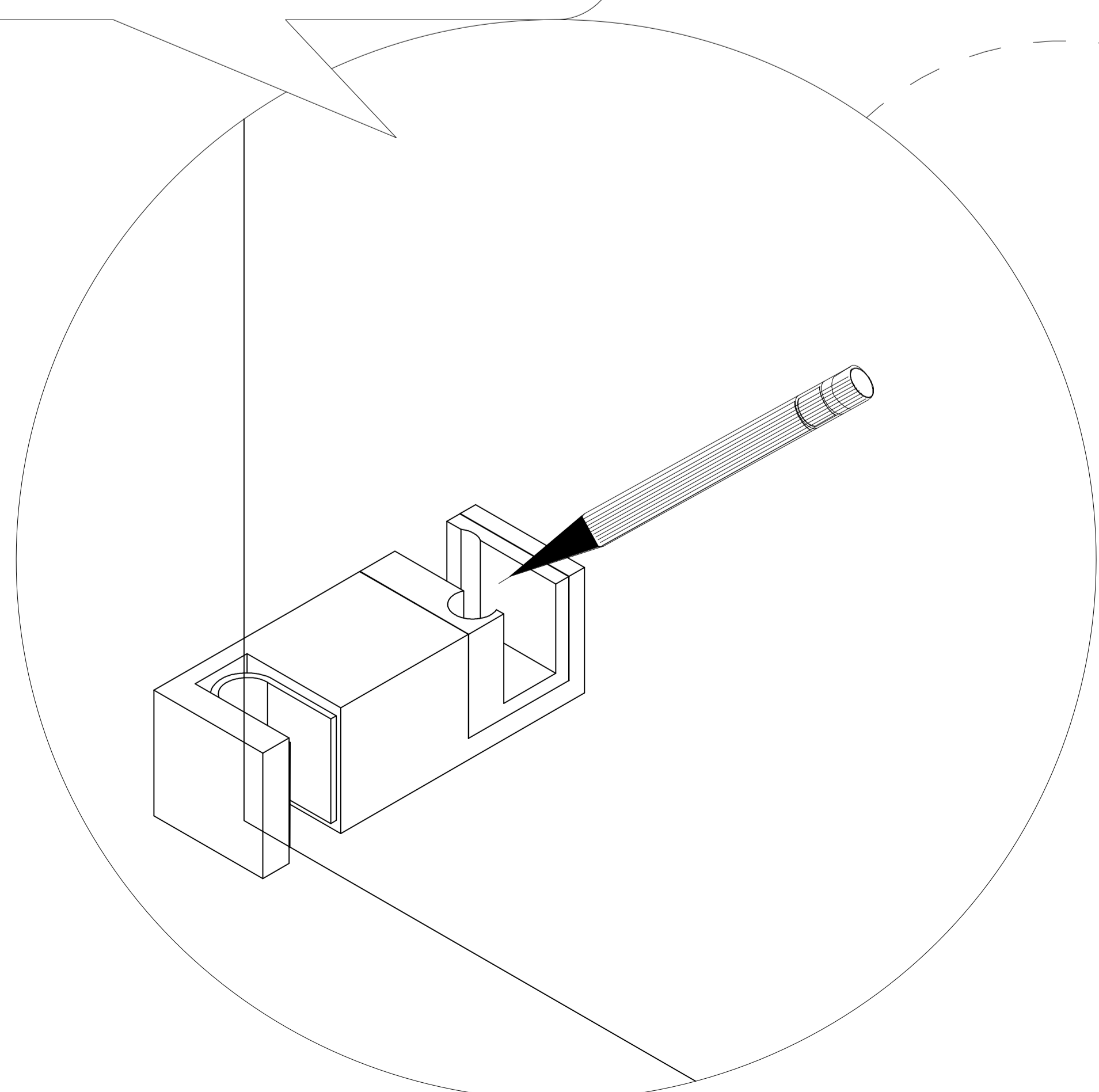
**STEP- 5**



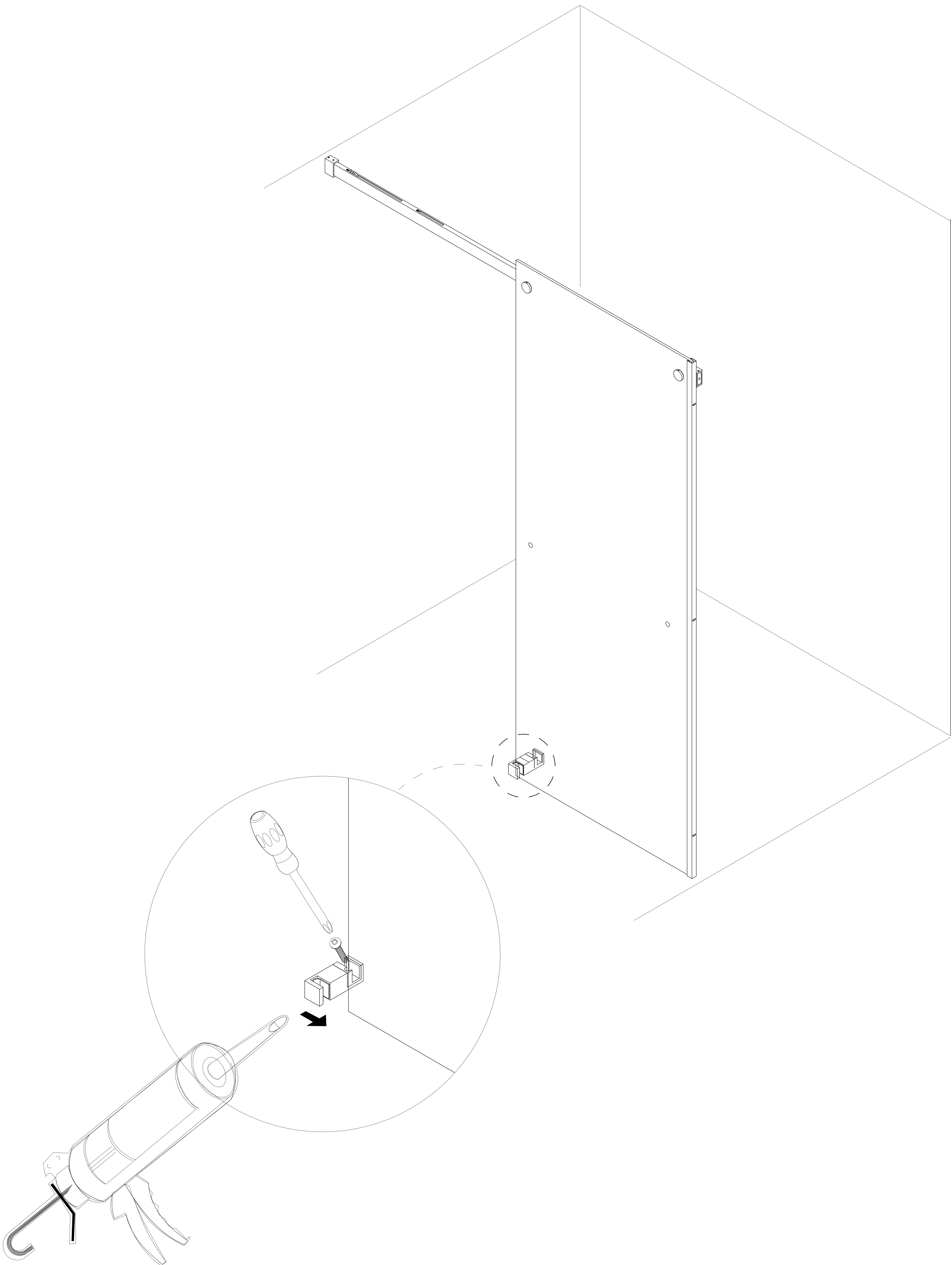
**STEP- 6**



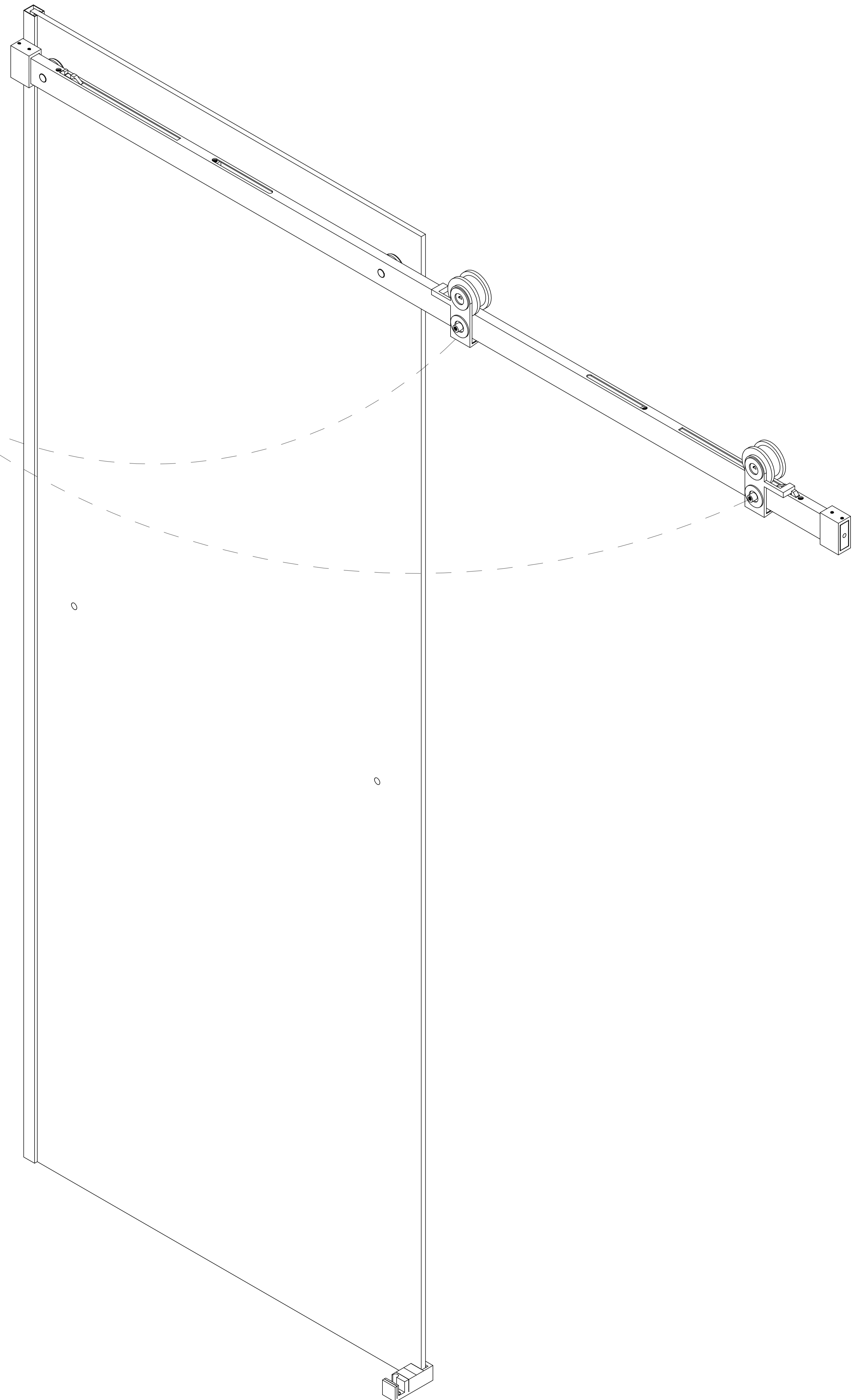
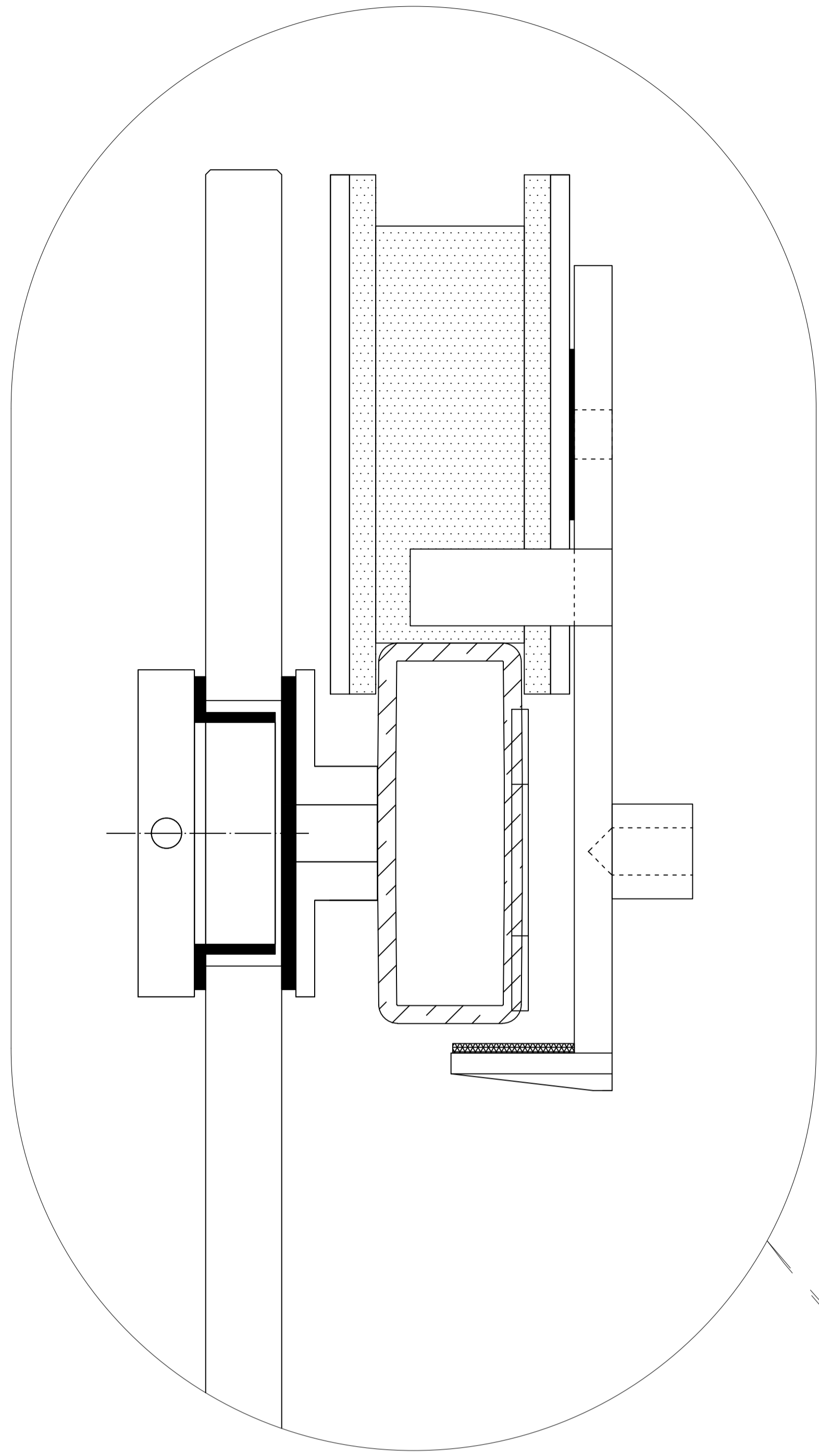
Install the positioning  
guide block in the middle  
point.



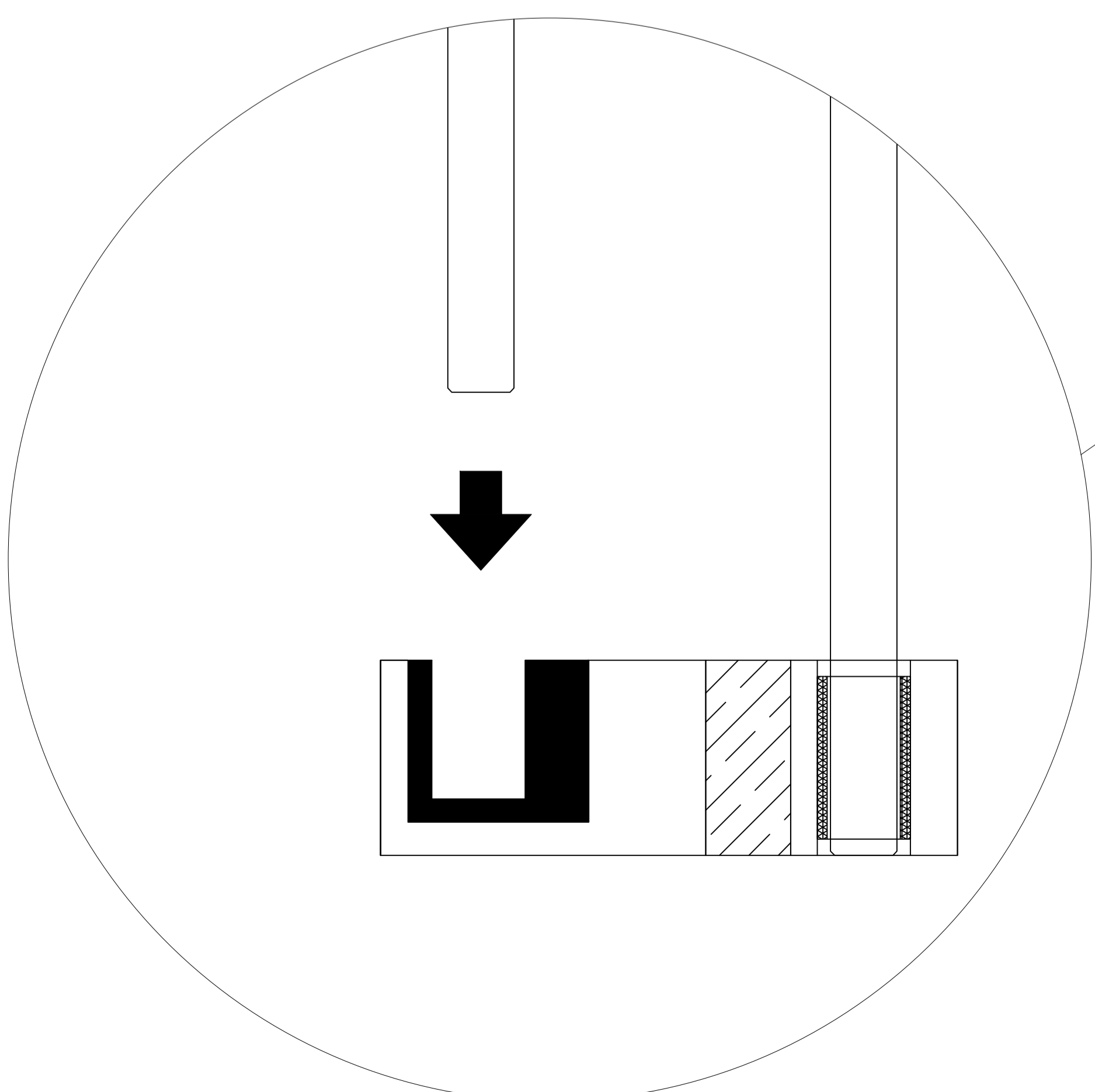
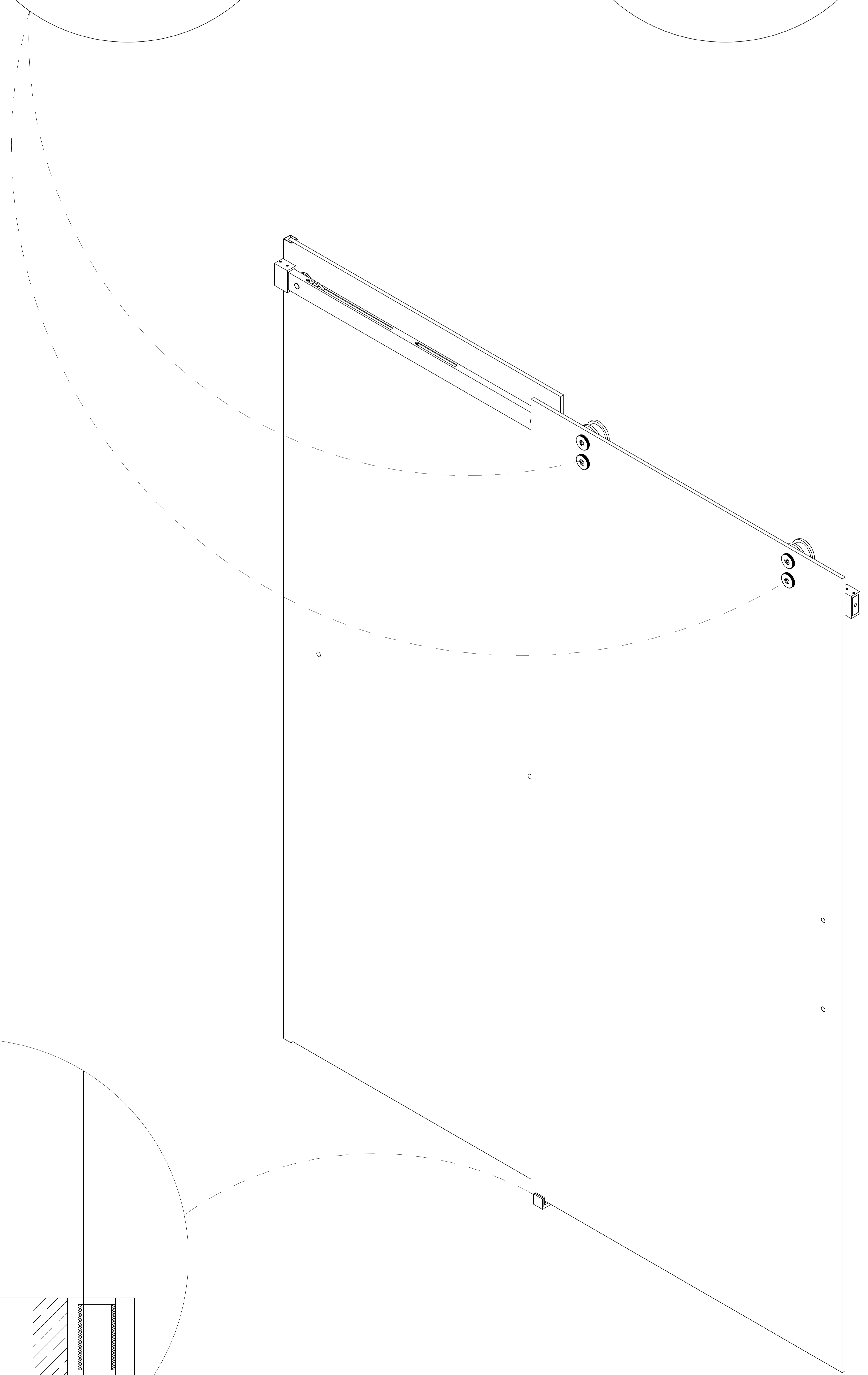
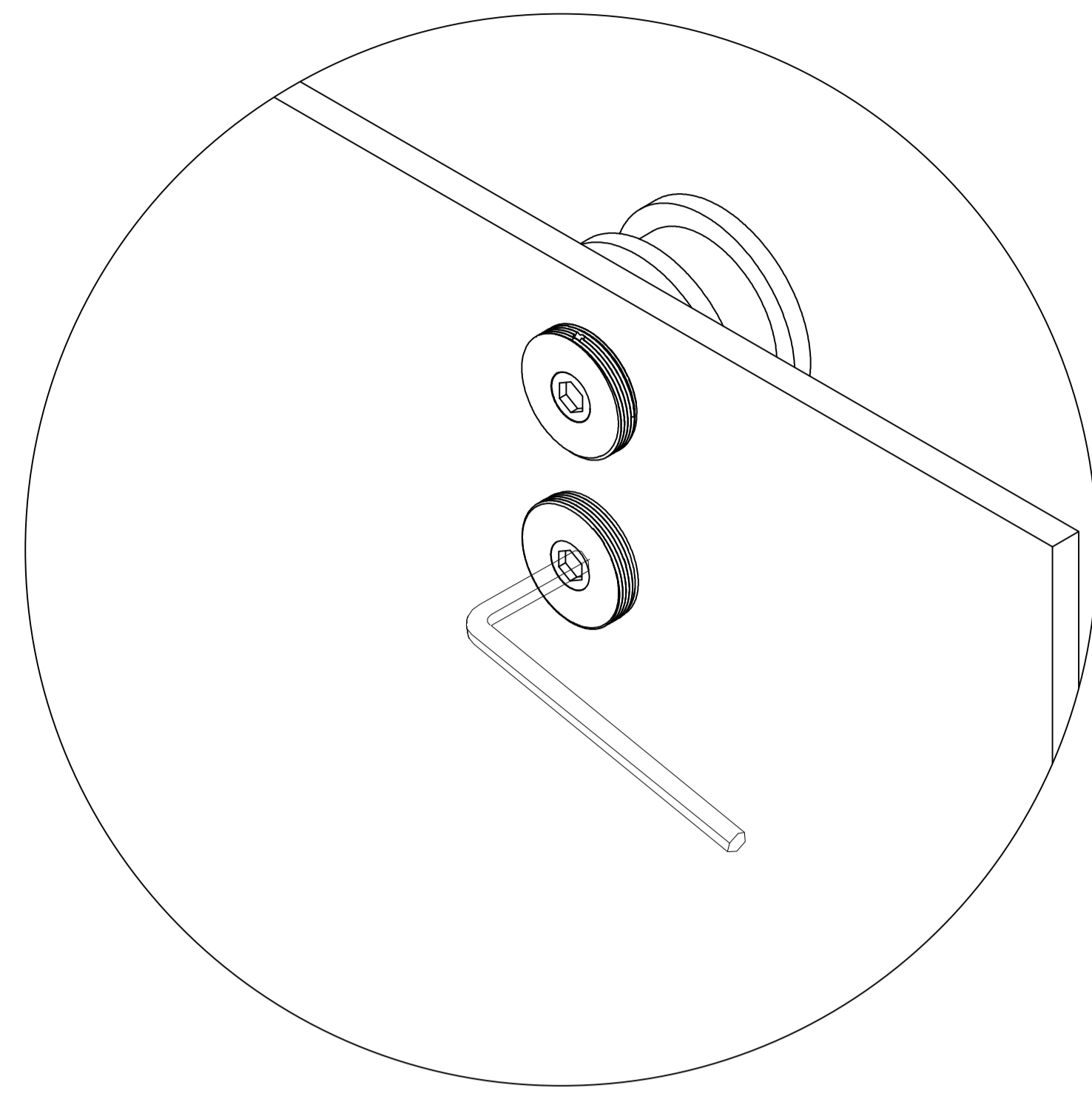
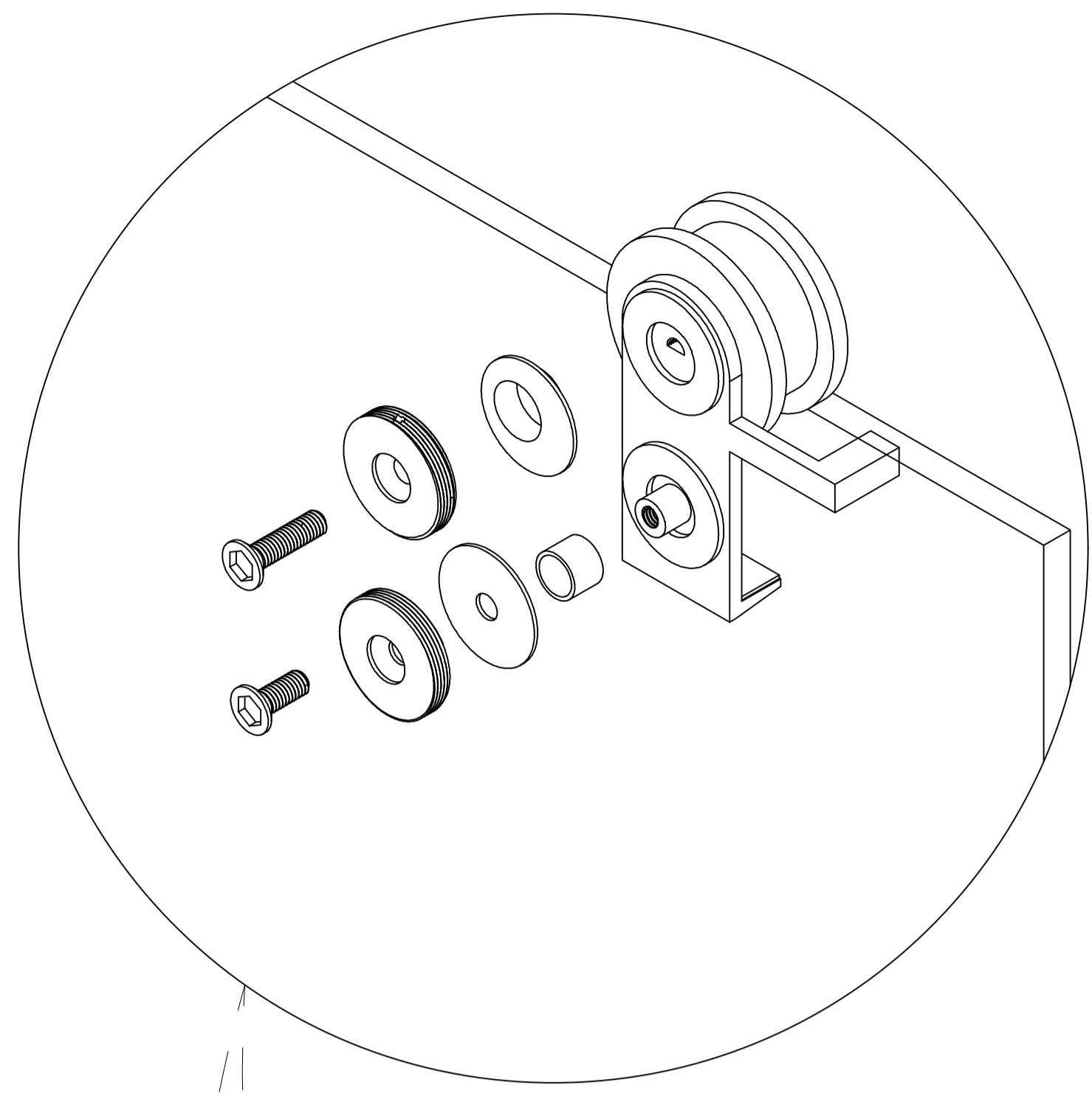
STEP- 7



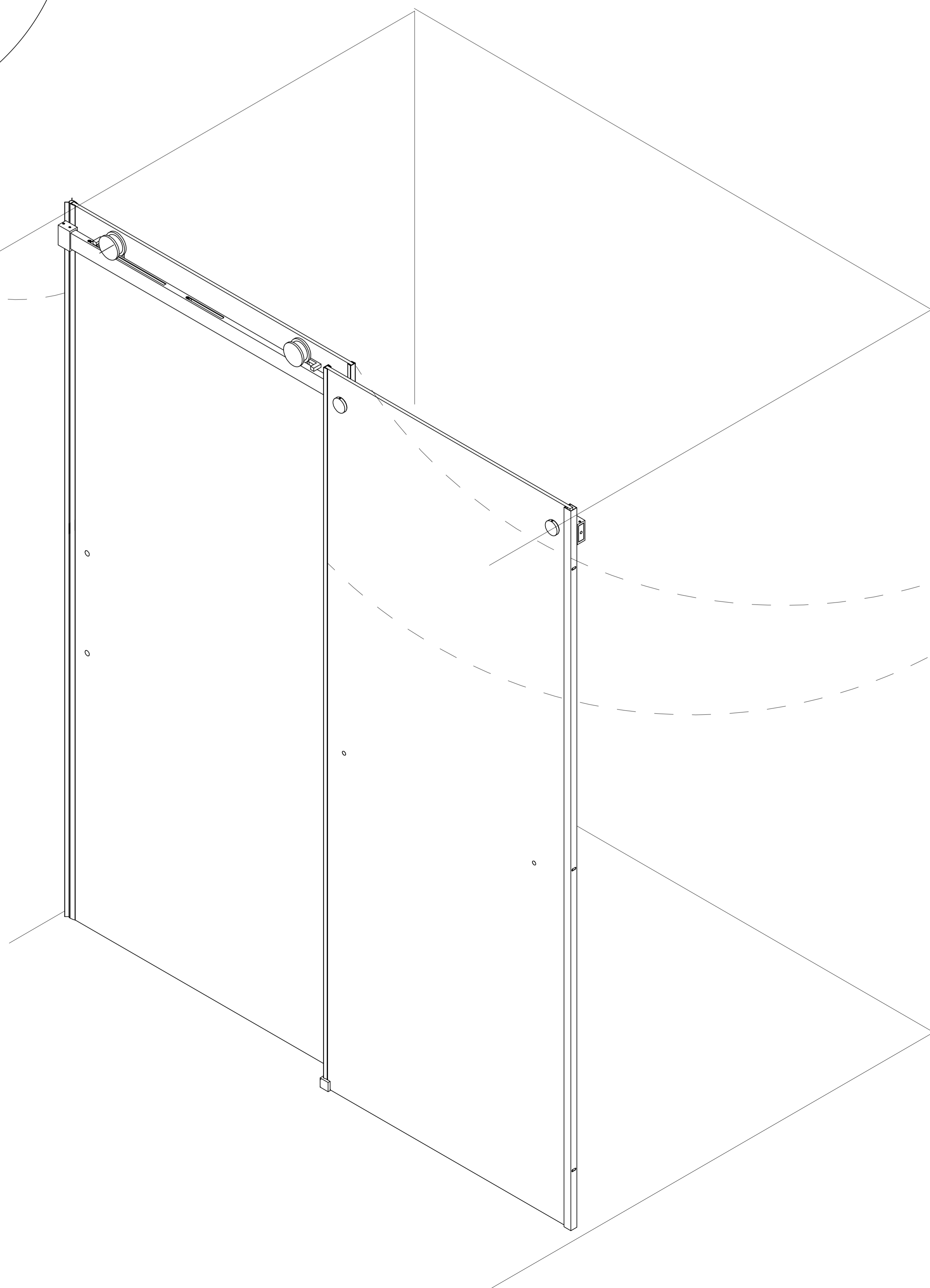
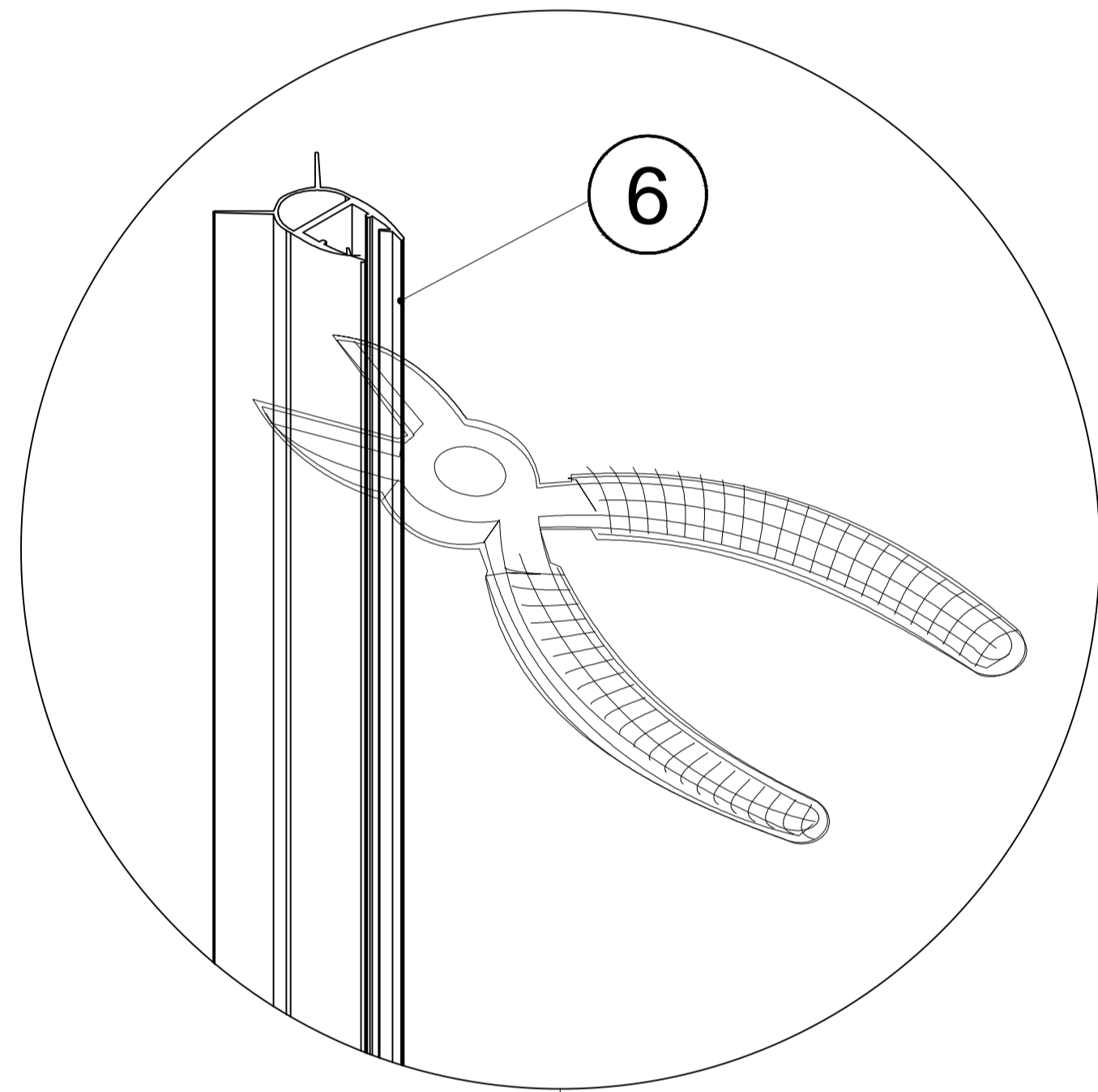
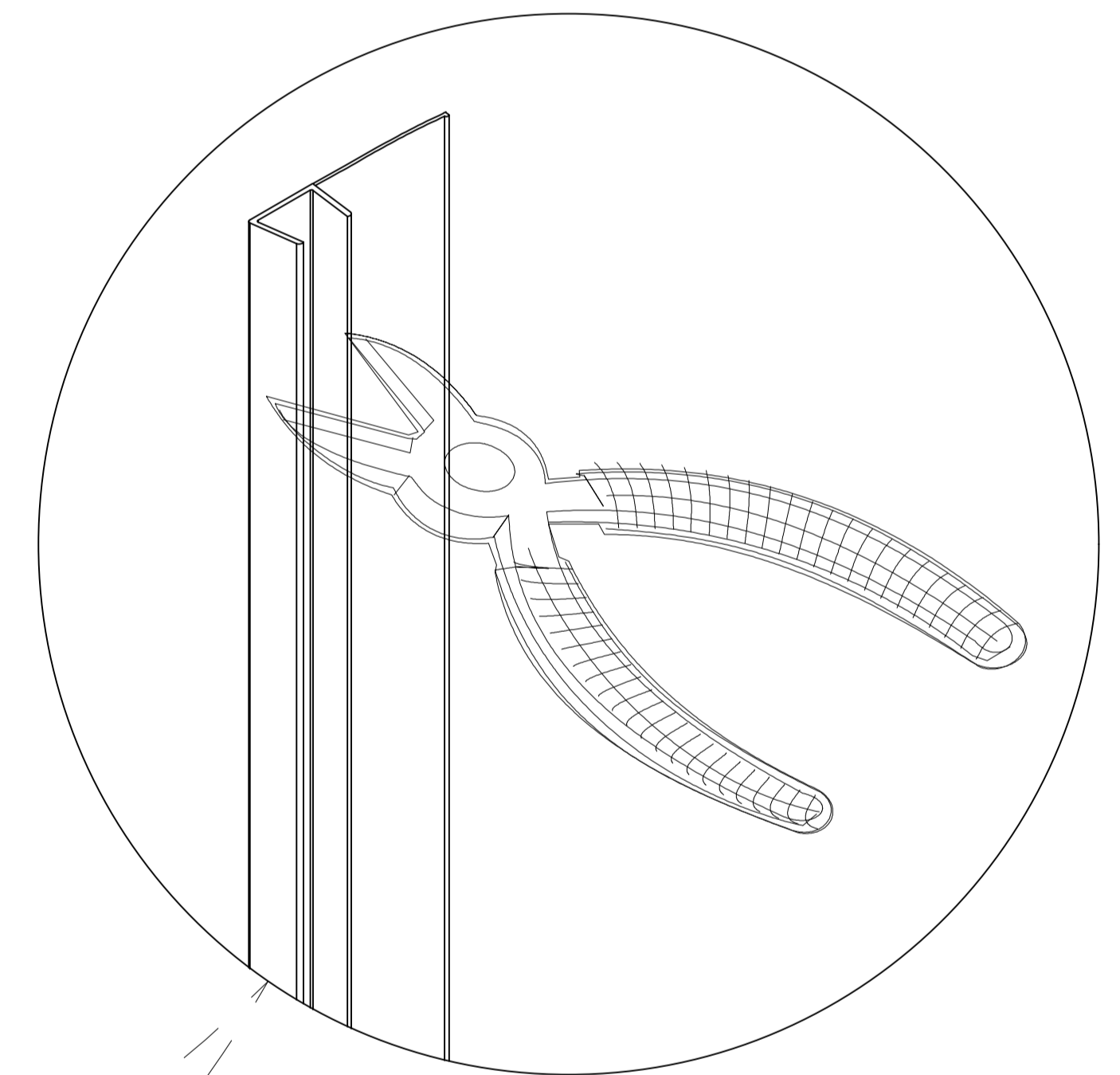
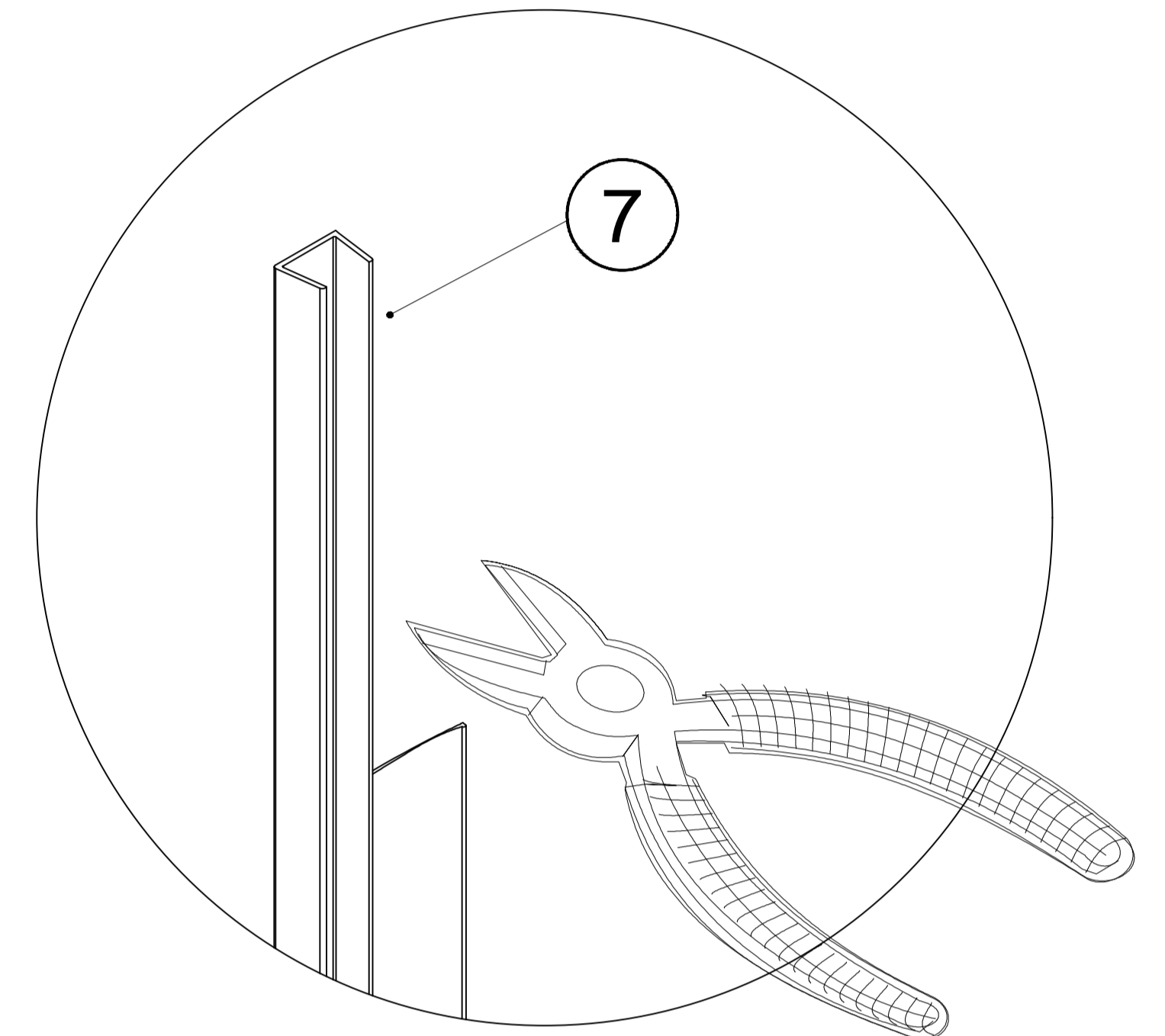
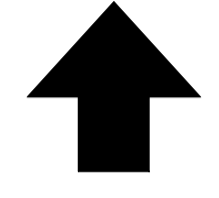
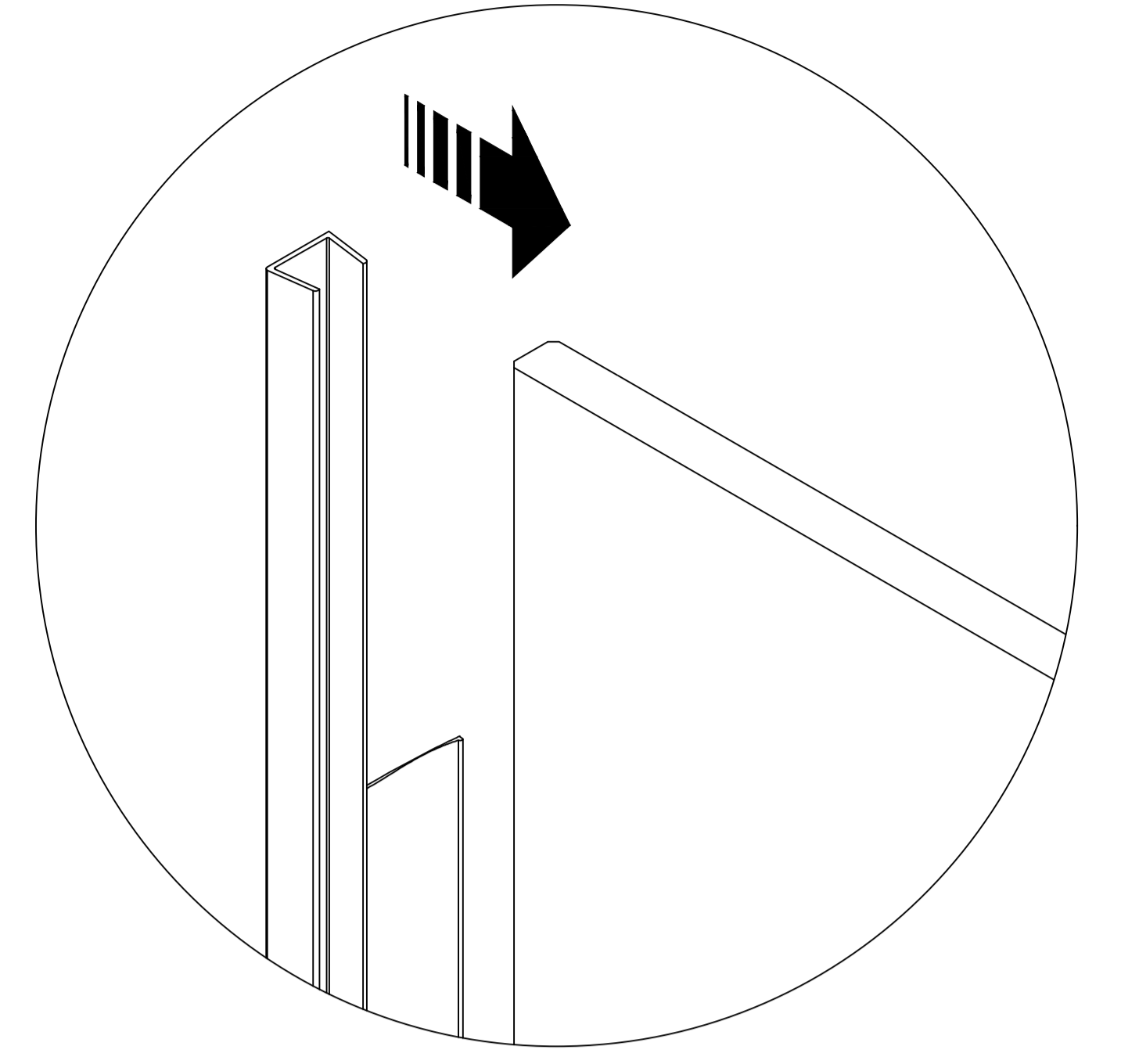
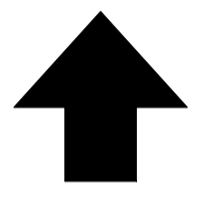
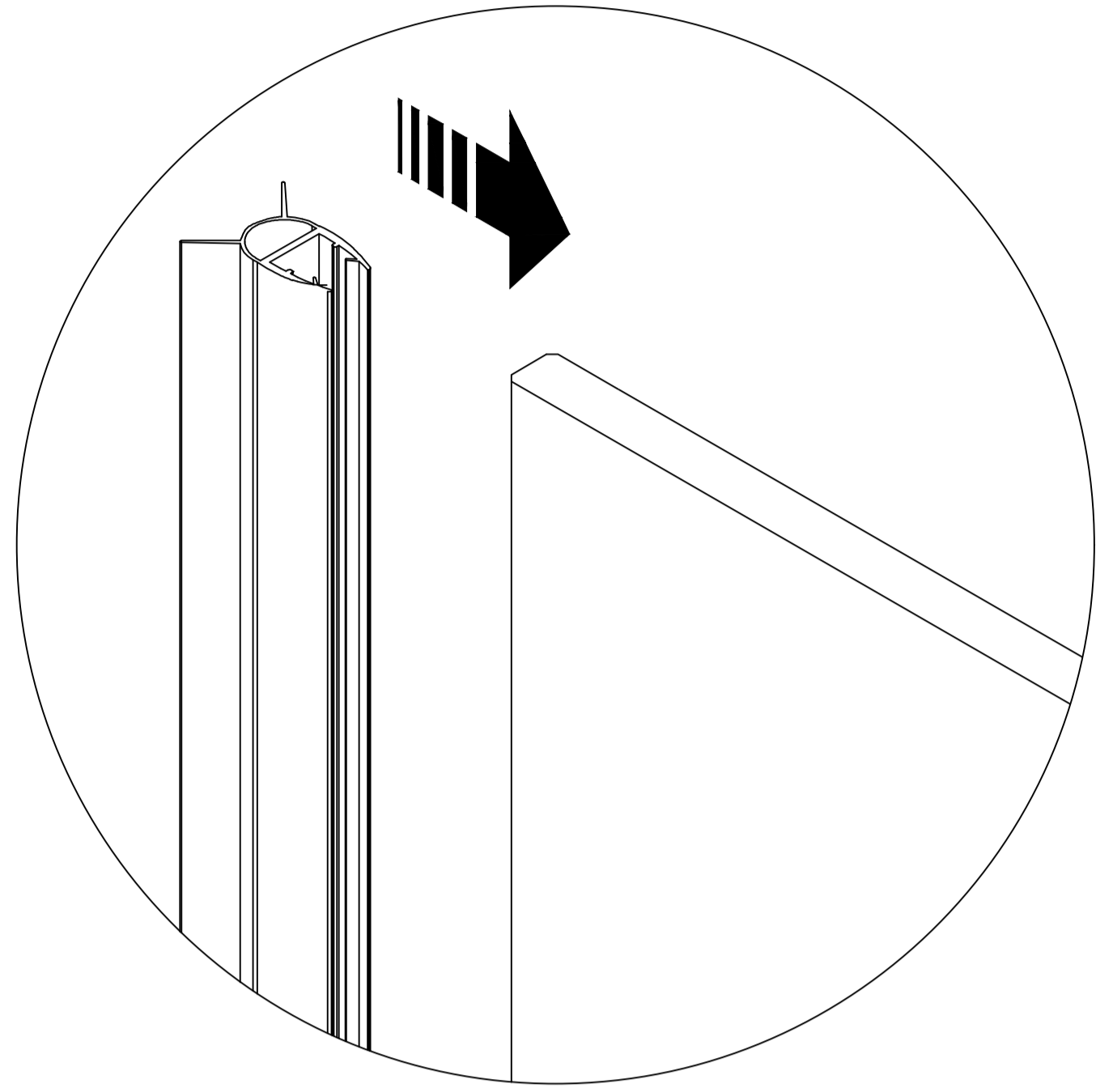
**STEP- 8**



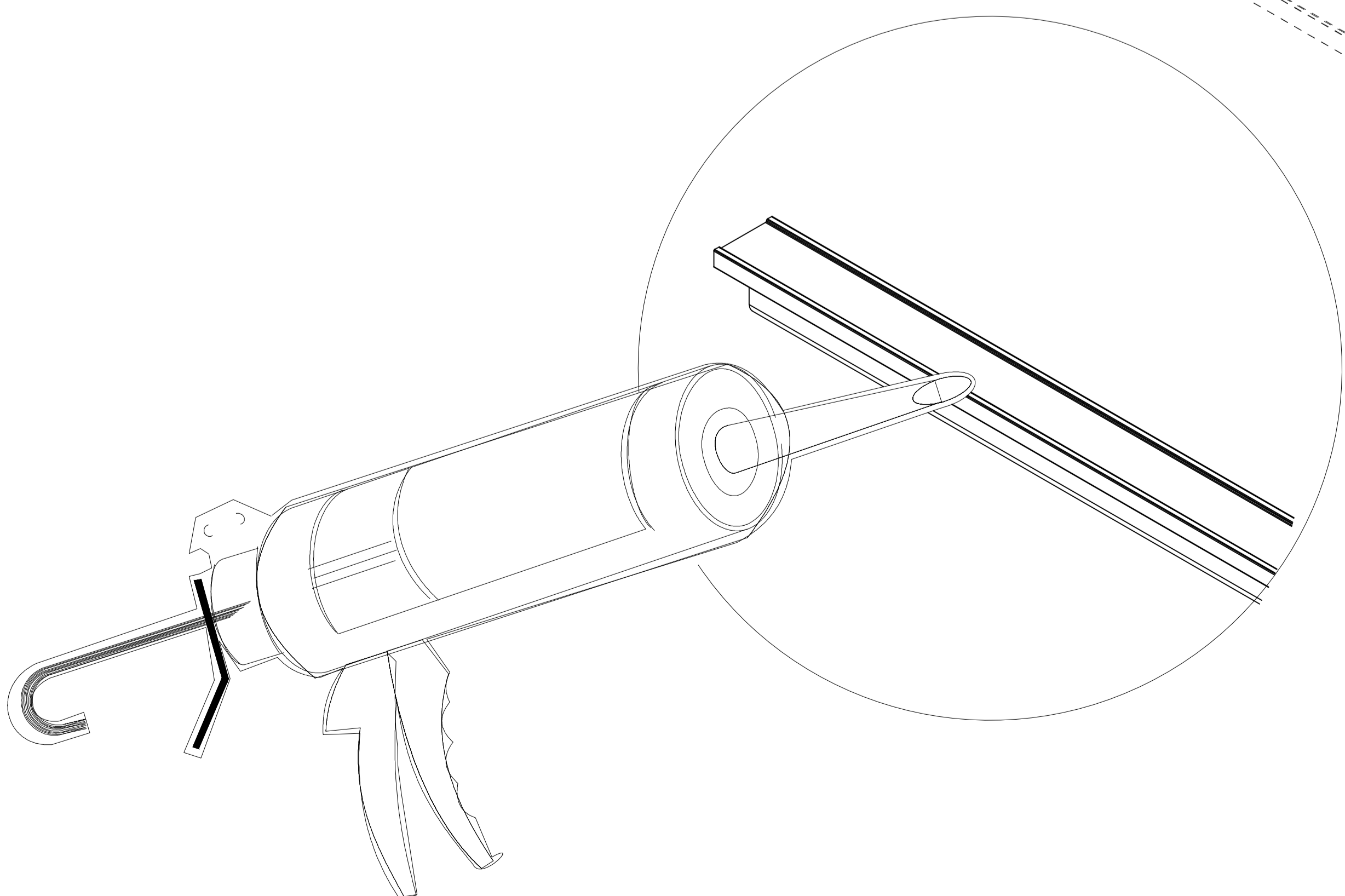
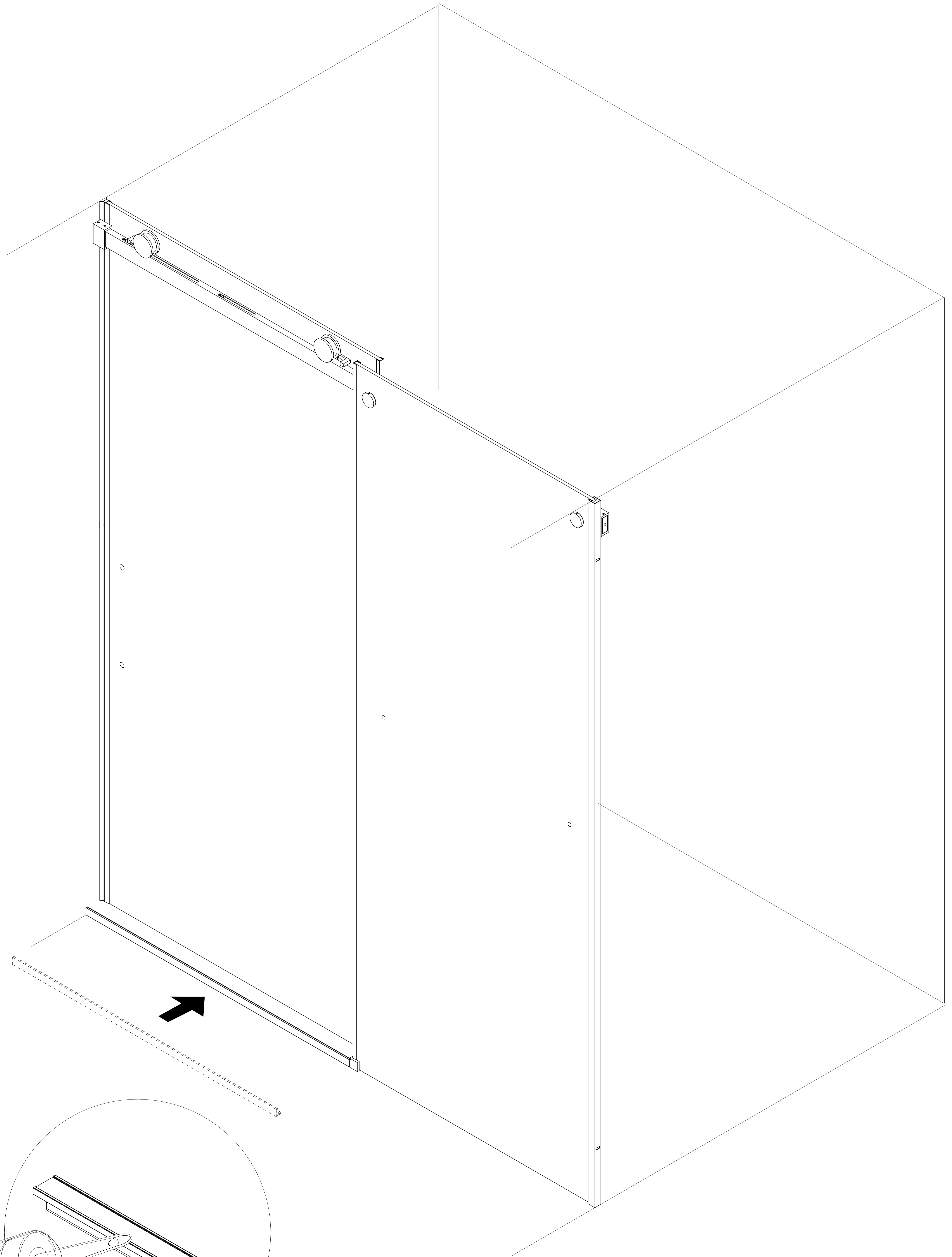
**STEP- 9**



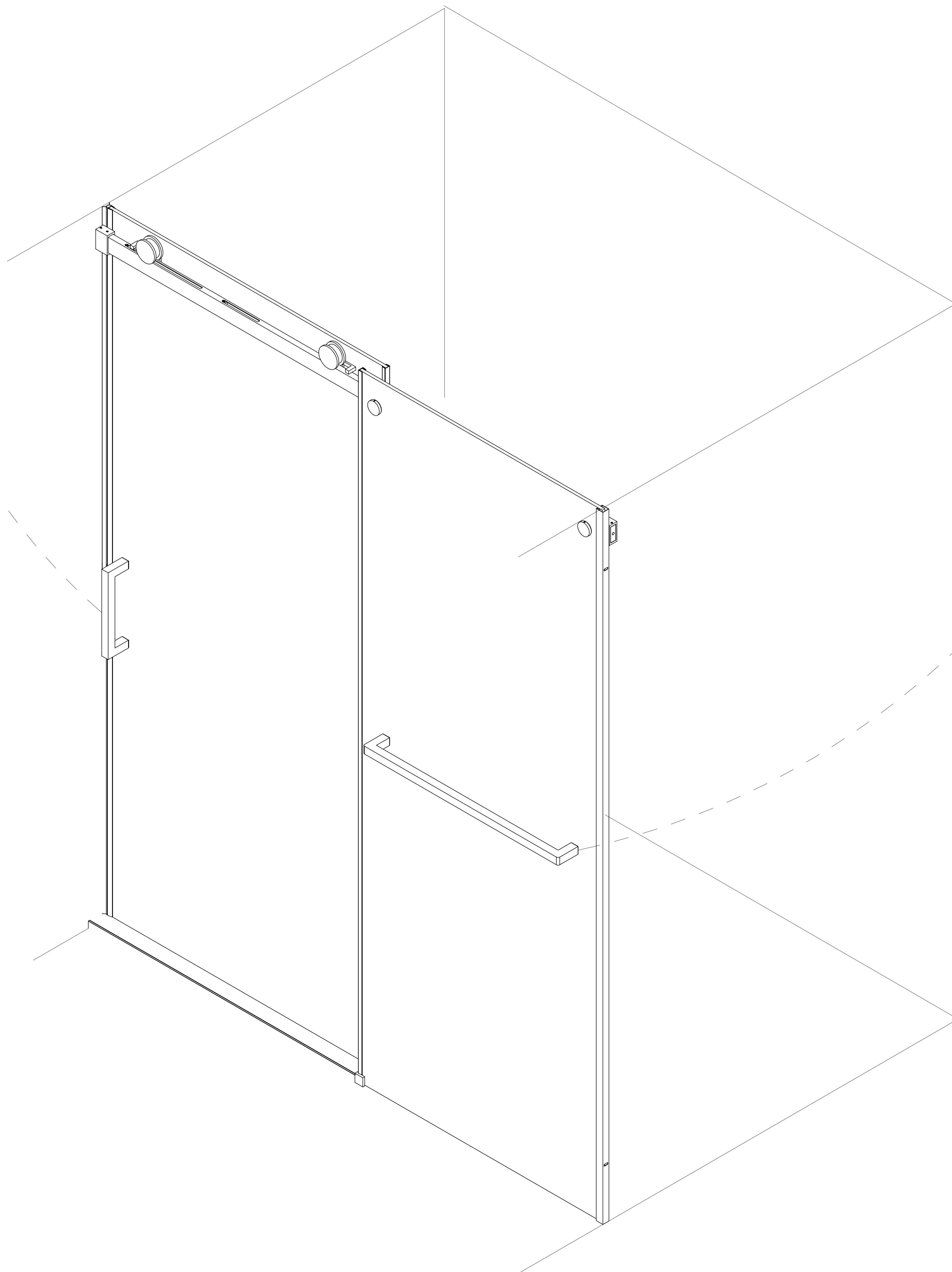
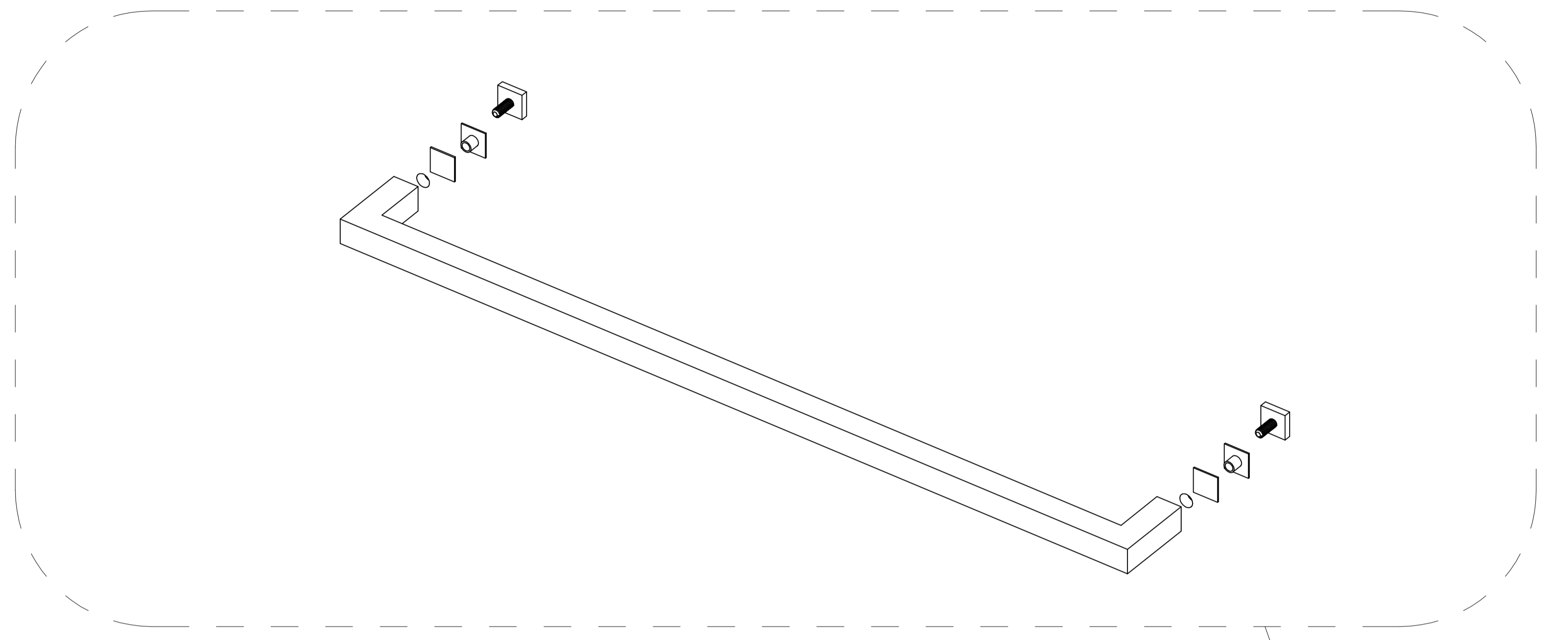
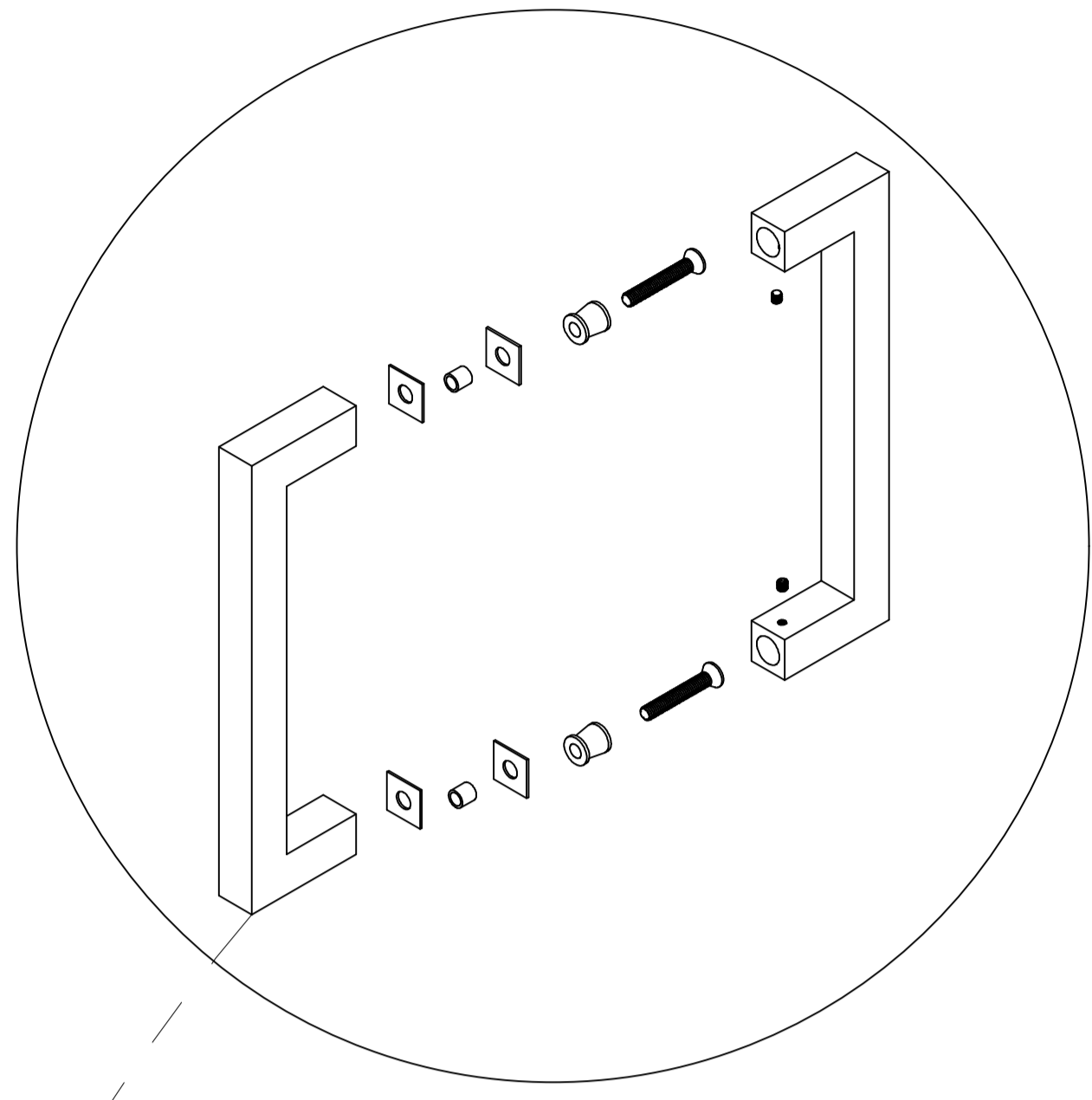
**STEP- 10**



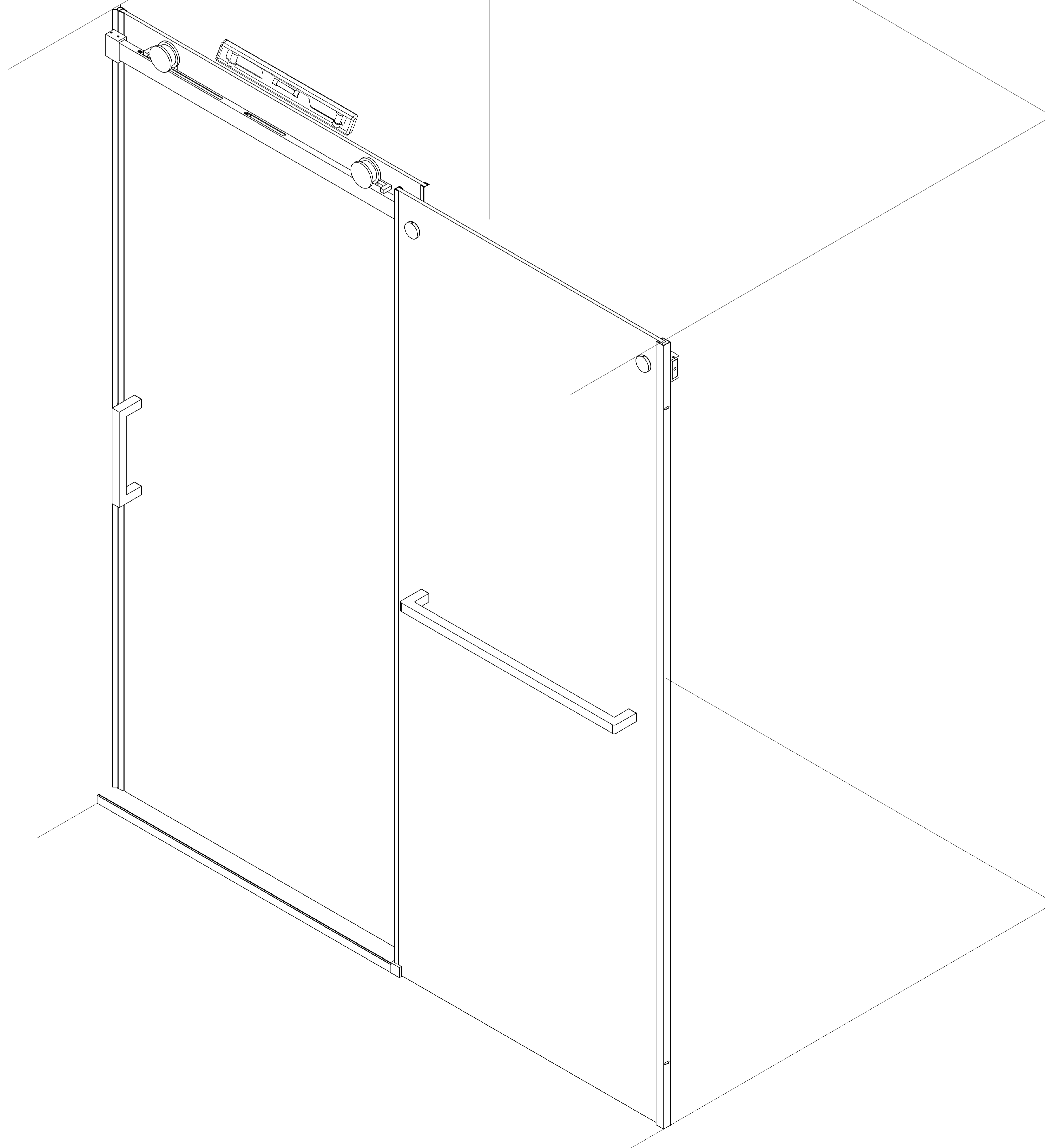
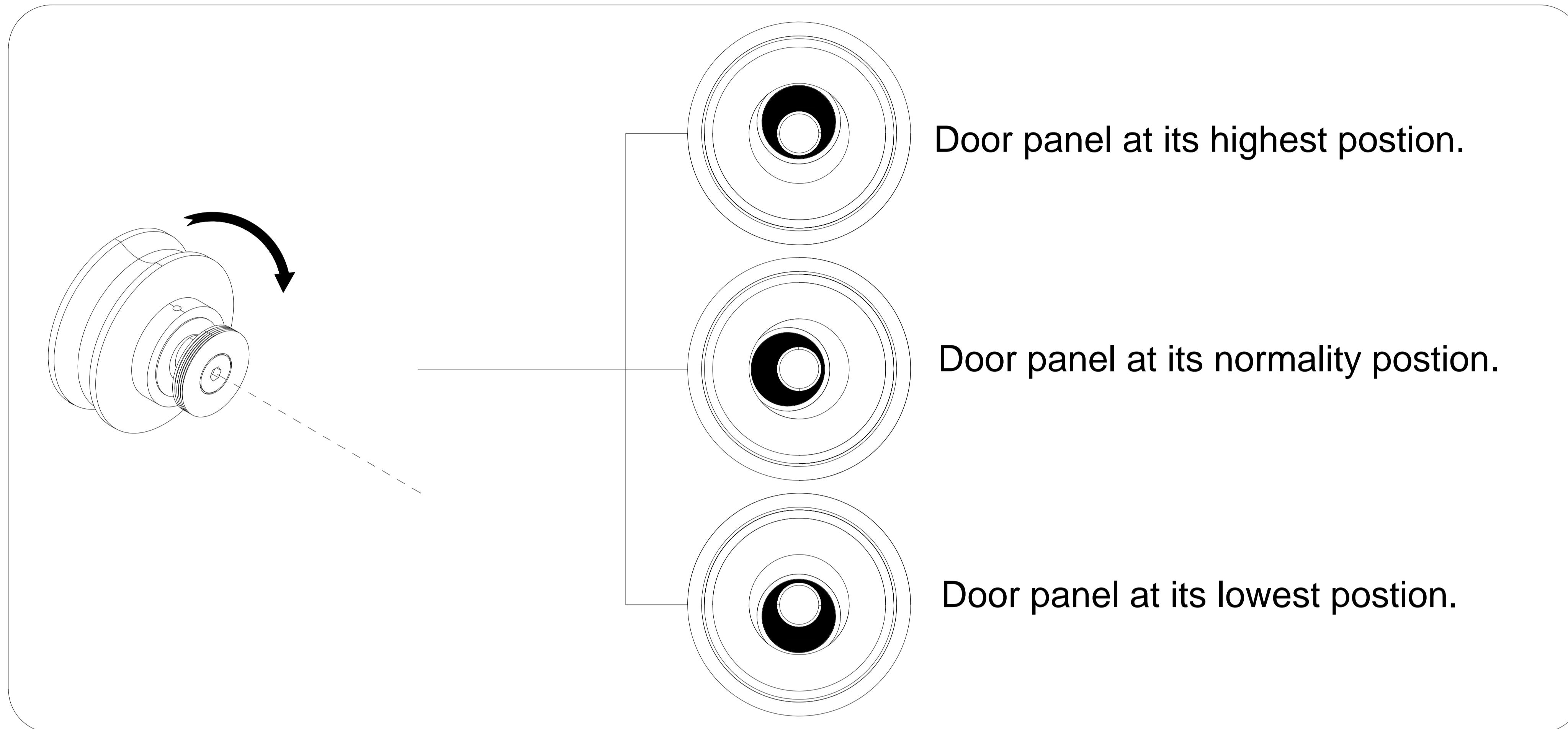
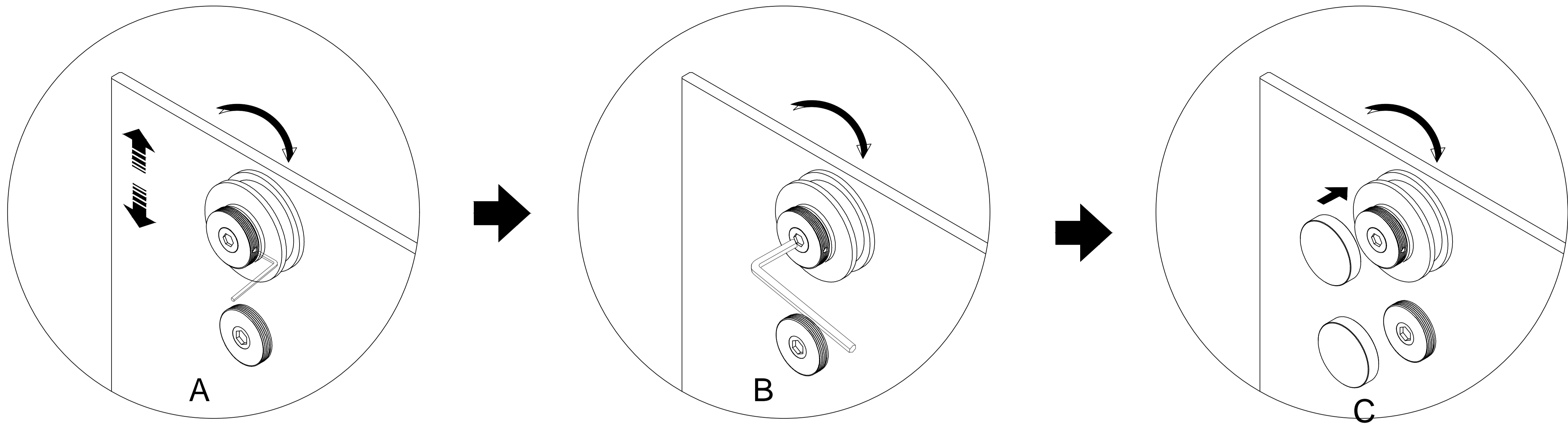
STEP- 11



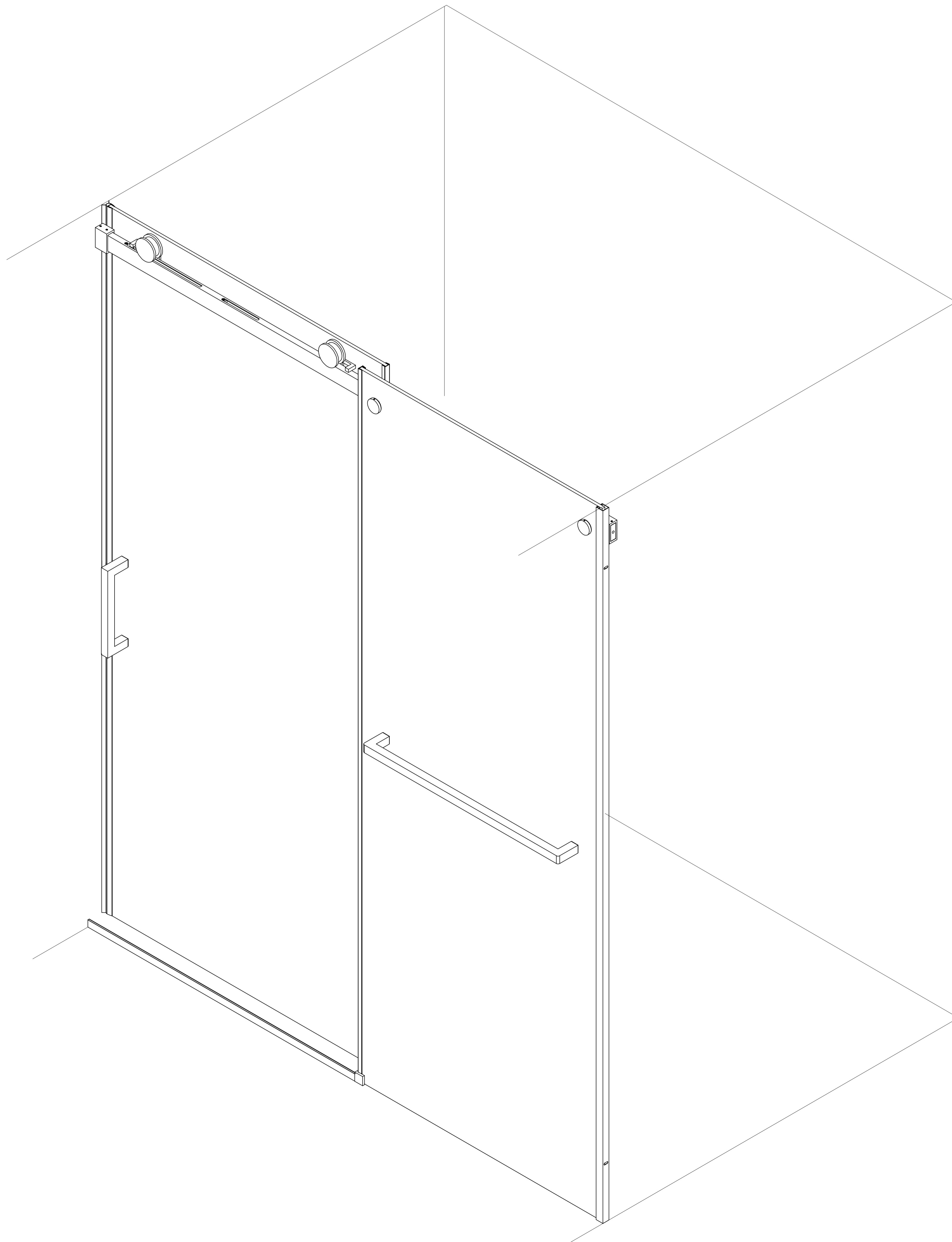
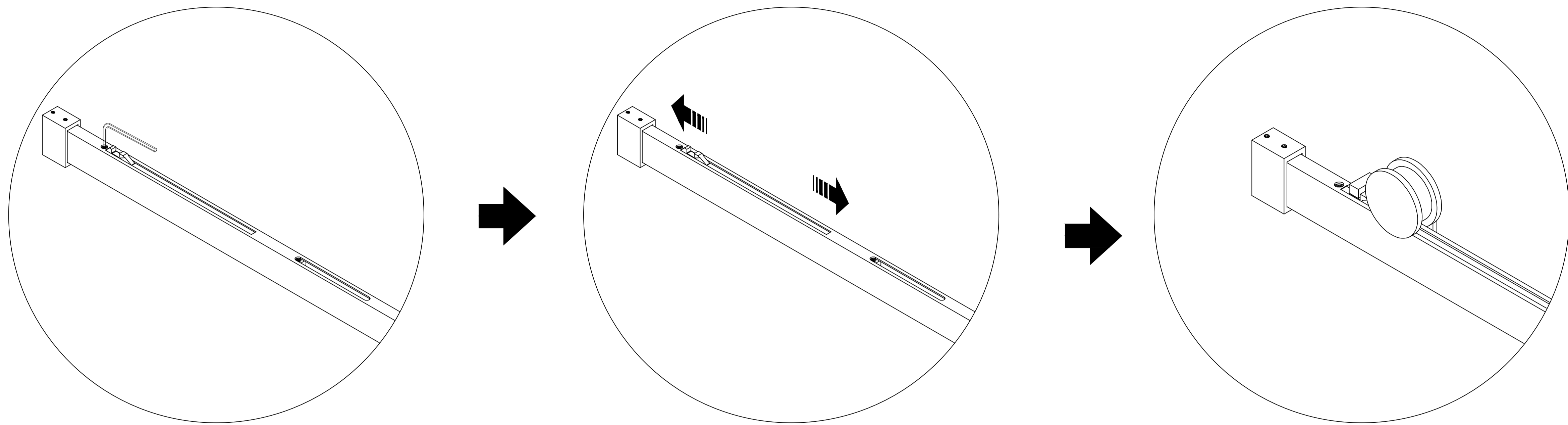
**STEP- 12**



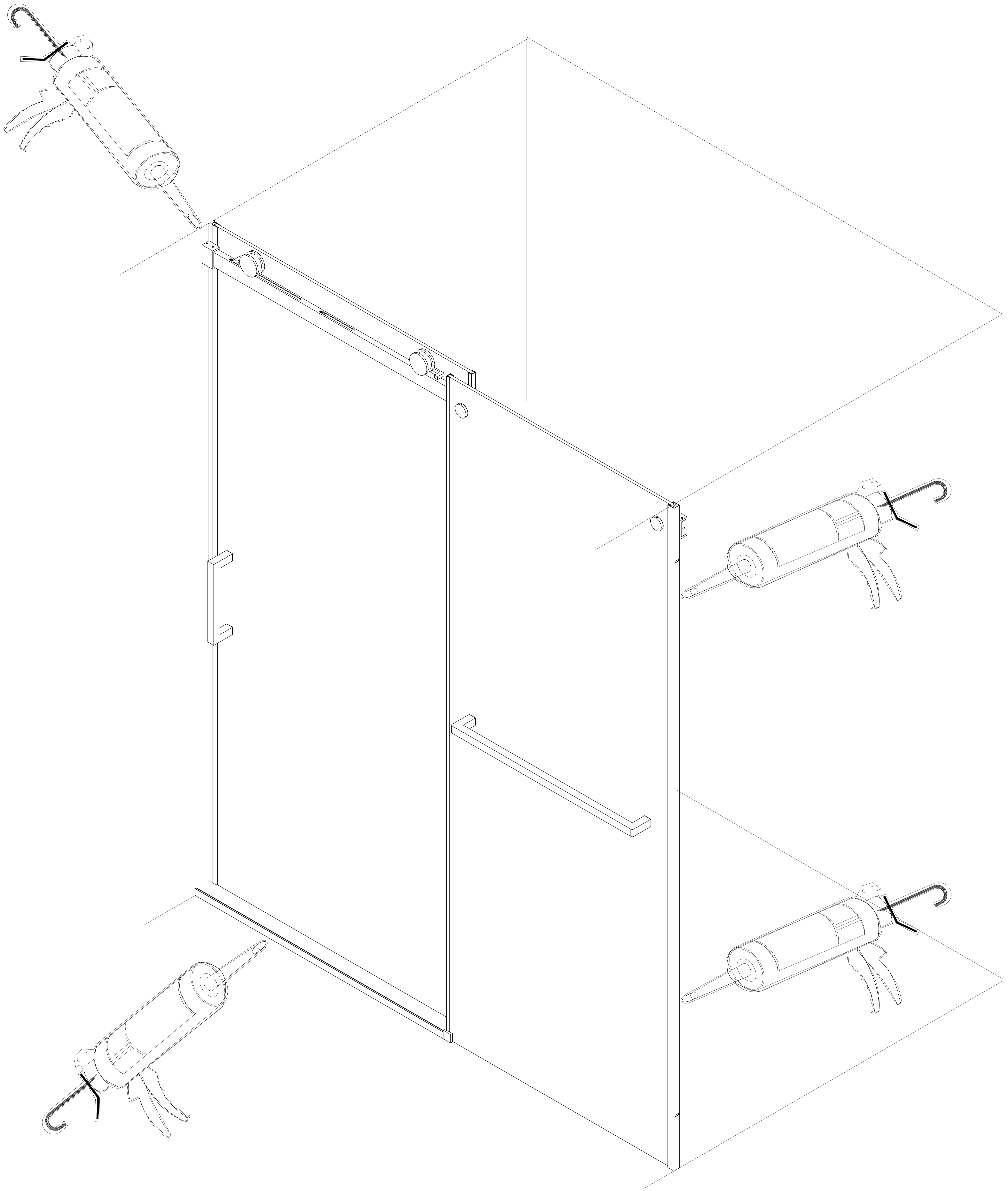
# STEP- 13



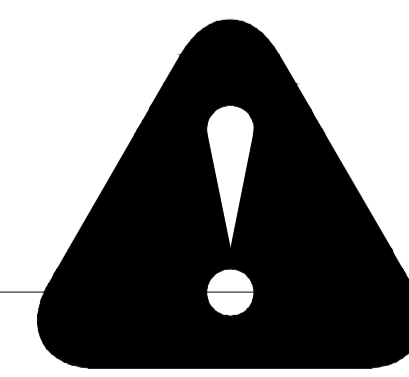
**STEP- 13**



**STEP- 14**



**24** HOURS HEURES



ONLY SEAL THE OUTSIDE OF THE SHOWER.DO NOT QPLY SILICONE TO THE IHSIDE OF THE SHOWER