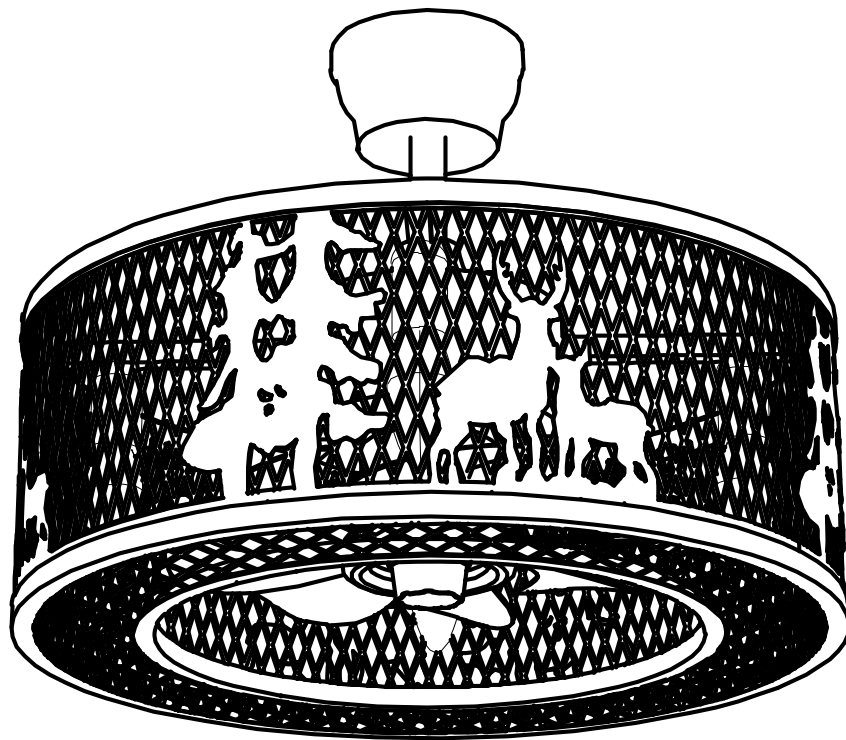

Ceiling Fan With Light

User Manual



CAUTION

INSTRUCTIONS CAREFULLY FOR

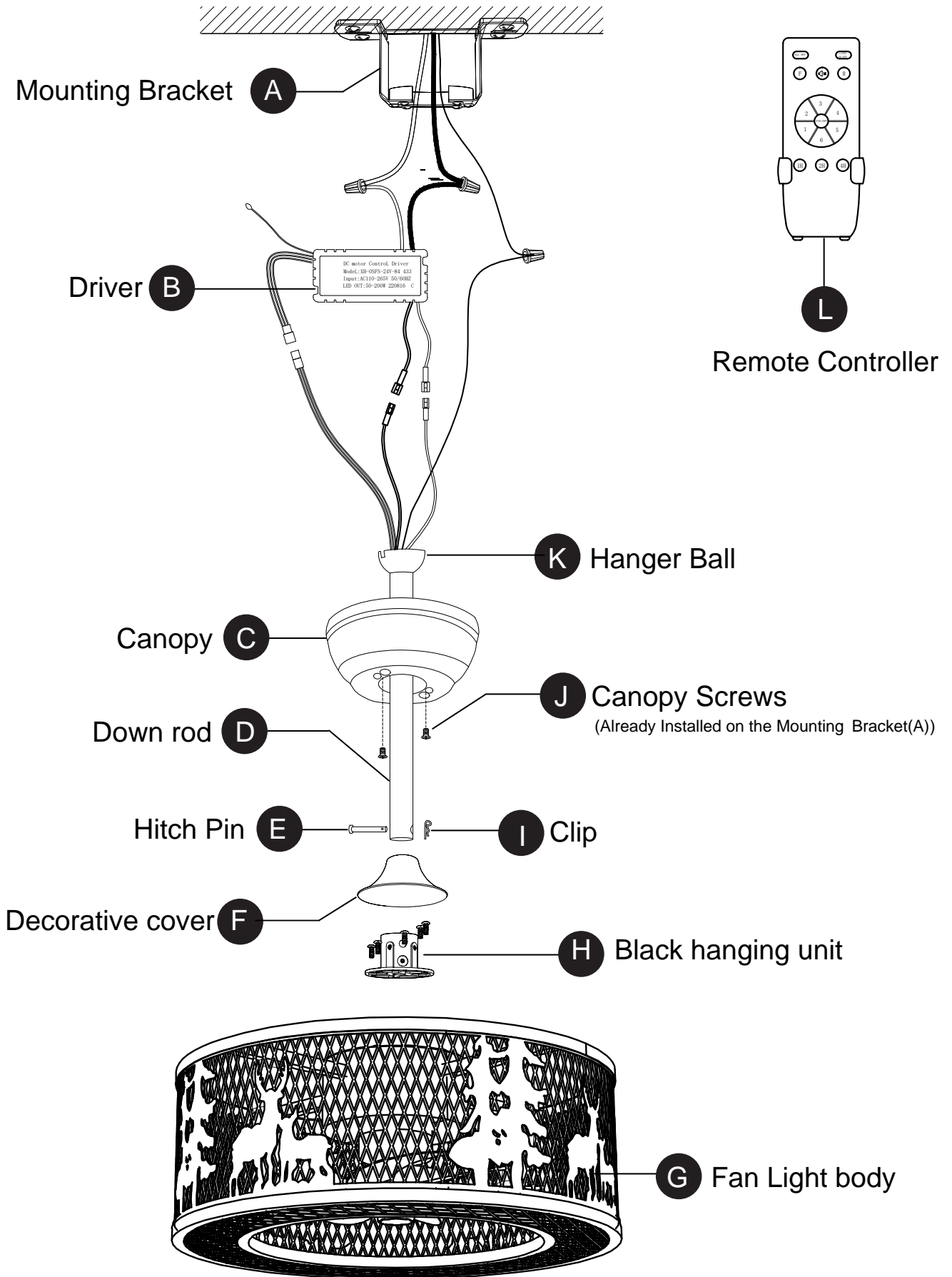
SAFE INSTALLATION AND FAN OPERATION

SAFETY RULES

1. To reduce the risk of electric shock, turn off the electricity to the fan at the main fuse box or circuit panel before beginning.
2. All wiring must be in accordance with the local electrical codes or National Electrical Code. Electrical installation should be performed by a qualified licensed electrician.
3. To avoid personal injury, the use of gloves may be necessary while handling fan parts with sharp edges.
4. Make sure the installation site you choose allows clear space for the blades to rotate and at least 7 feet (2.13 meters) of clearance between the floor and the fan blade tips.
5. **WARNING:** To reduce the risk of fire, electric shock, or personal injury, mount fan only to an outlet box marked acceptable for fan support and use mounting screws provided with the outlet box. Most outlet boxes commonly used for the support of lighting fixtures are not acceptable for fan support and may need to be replaced. Consult a qualified electrician if in doubt.
6. The outlet box and ceiling support structure must be securely mounted and capable of supporting at least 45 KGS.
7. To avoid personal injury or damage to the fan and other items, be cautious when working around or cleaning the fan.
8. Do not use water or detergents when cleaning the fan or fan blades. A dry dust cloth or lightly dampened cloth will be suitable for most cleaning.
9. After making electrical connections, spliced conductors should be turned upward and pushed carefully up into the outlet box. The wires should be spread apart with the grounded conductor and the equipment-grounding conductor on one side of the outlet box.
10. Electrical diagrams are for reference only.
11. The fan is more suitable for indoor use.

TOOLS REQUIRED

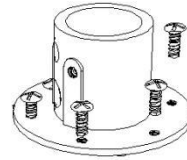




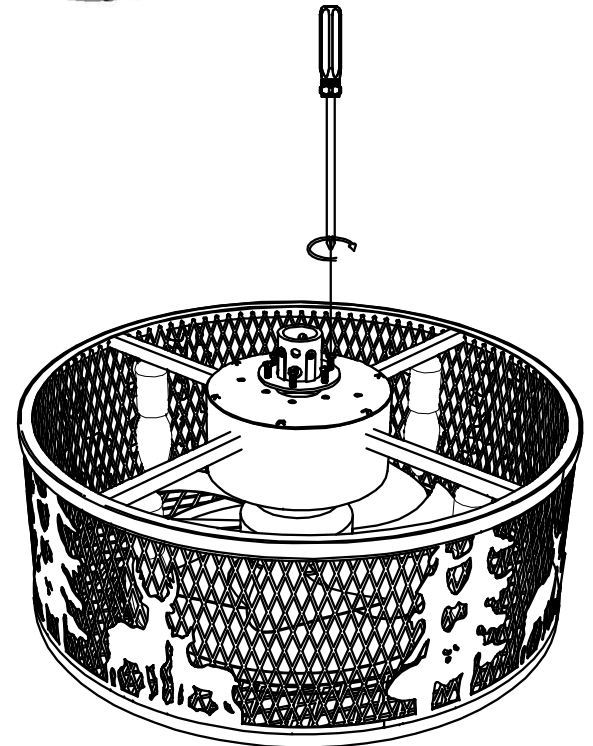
How to Install a Fan Light Pendant

1. Find the corresponding accessories in the package as shown in the picture

Fan head accessories*1 screws*7
(including spare screws*1)



2. Use a Phillips screwdriver to align the holes on the
Turn clockwise so that the lifting head is completely
fixed on the motor disc That's it. (Figure)

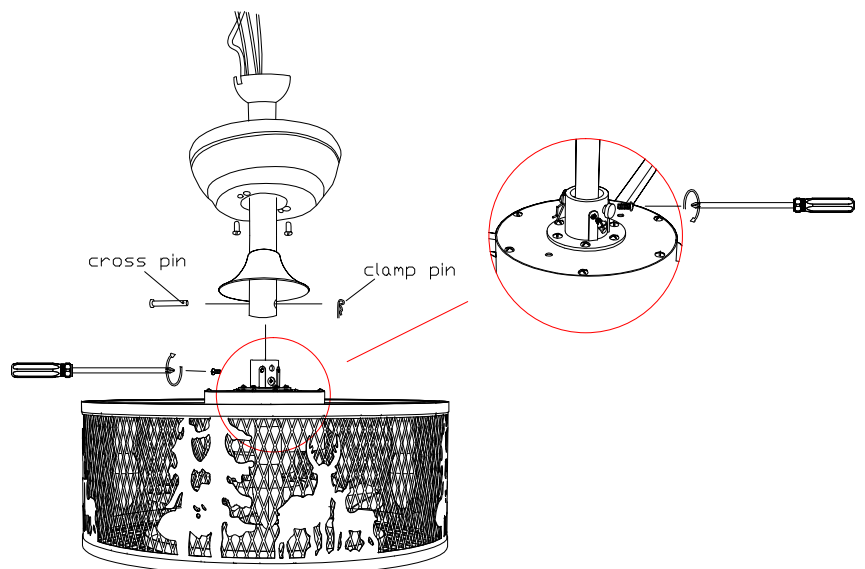


3. Select the length of the tie rod and remove it
from the bottom of the tie rod

Hairpins and pins, hanging bells, trumpet covers

After passing through the boom in turn, use the
removed hairpins and buckles

After the needle is fixed on the lamp body hanger, use the
The screws are tightened from the side..



INSTALL THE FAN

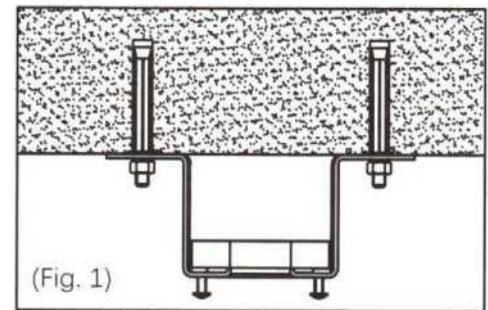
Tools Required: Phillips Screwdriver, Pair of Pliers, Straight slot screwdriver, Adjustable Wrench, Step Ladder and Wire Cutters.

INSTALL THE MOUNTING BRACKET

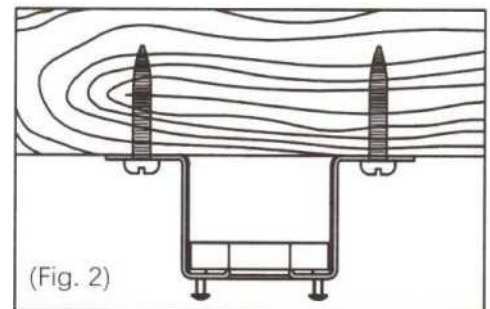
To prevent personal injury and damage, ensure that the hanging location allows the blade a clearance of 7 feet(2.13 meters) from the floor.

If there isn't an existing CUL listed mounting box, then read the following instructions:

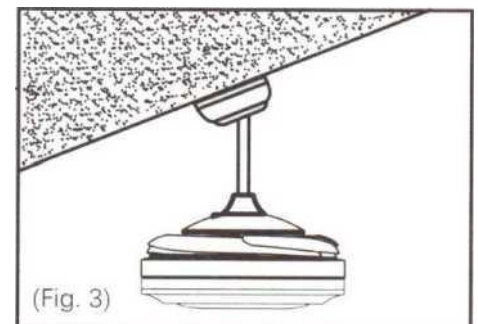
1. For the concrete ceiling: Mark the location for the ceiling fan first, then drill two holes in the ceiling to aid in securing the ceiling bracket with two expansion screws provided, and secure the mounting bracket to the building structure with two expansion screws provided, tighten the screws. (Fig.1)



2. For the Wood Ceiling: Mark the location for the ceiling fan first, secure the mounting bracket to the building structure with four wood screws provided. (Fig.2)



3. Refer to Fig. 3 for mounting when the ceiling is angled max. 15 degree angle.

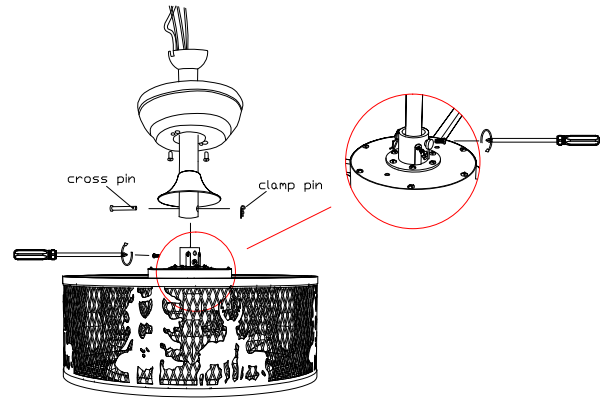


NOTE: Hanger after the installation must be able to withstand the weight of 45 KGS or more

INSTALL THE DOWNROD

REMEMBER to turn off the power. Follow the steps below to hang your fan properly:

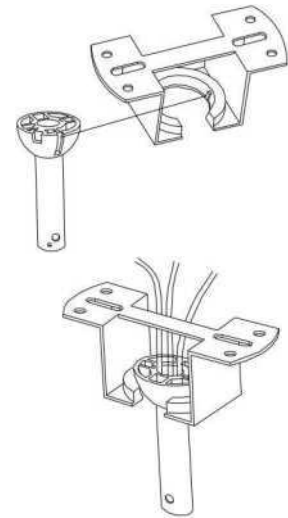
1. Remove the lock pin and hitch pin from down rod.
2. Place down rod assembly into canopy and coupling cover, carefully feed motor wires through the down rod assembly.
3. Loosen the two set screws in down rod coupling.
4. Insert down rod into down rod coupling. Install coupling lock Pin through coupling and down rod. Insert hitch pin into the lock Pin until it snaps into place. Tighten set screws in coupling. Slide coupling cover over the down rod coupling.



CHANGE DOWNROD (OPT)

The Ceiling Fan comes with one 4 inches standard down rod which is pre-assembled and attached to the hanger ball, one longer 8 inches down rod is also included for higher ceilings. If you need a different down rod length, please follow these steps:

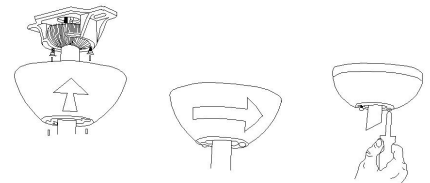
1. Loosen the hanger ball from down rod by removing the set screw.
2. Slide down rod ball off of down rod and remove the pin.
3. Re-install pin into extended down rod, and slide down rod ball up to the top of the down rod.
4. Re-install set screw to secure ball to down rod.



SECURE THE CANOPY

Raise the canopy up and align the keyholes on the bottom of the canopy with the 2 screws on the bottom of the mounting bracket. Rotate the canopy until both screws from the mounting bracket drop into the slot recesses.

Tighten screws securely.



APP and Remote Control Instructions



Battery type

7#1.5V*2

1 Turn on the power switch, hear the "Beep" within 3 seconds after a long press "FAN OFF" key, the receiver issued "Beep" two sound, on the code success. If there is no successful code, turn off the power and wait one minute to repeat the operation.

Warning Sign

Remote control can not be effectively controlled please check the battery long-term non-use please remove the battery.

Notes:

1. The receiver can not be mounted upside down so as not to affect the cover and ceiling.
2. The receiver is divided into input and output. It is forbidden to switch the input and output.
3. Working Voltage of this product: **AC: 110V-245V**
4. **If there is a wall switch on the fan it must be on in order to control effectively**
5. Please connect the wires according to the color of the wires and the instructions on the bushing
6. When using the remote control, please check whether the battery (note the positive and negative pole of the battery), the handle control key, the indicator light will flash when you press each key.

Battery type

7#1.5V*2

BLACK INPUT FIRE LINE L

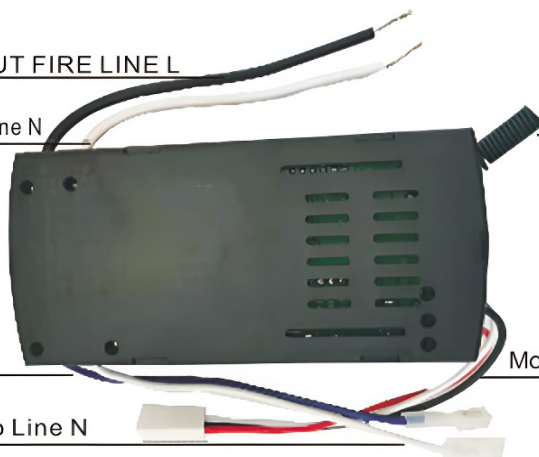
White Input Zero Line N

Antenna

Blue Line offire L

Motor output line: UVW phase line

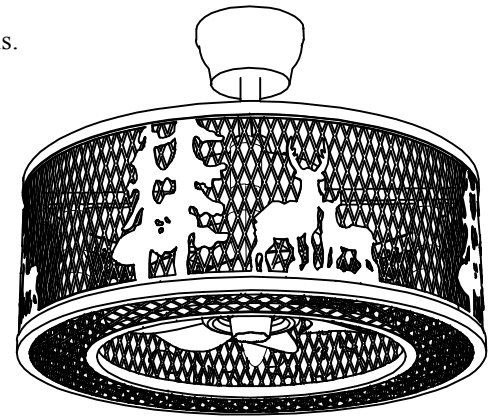
White Output Zero Line N



Before:

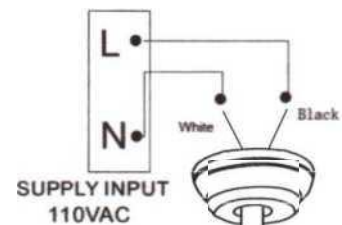
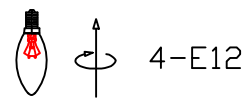
1. This is a replaceable light bulb ceiling fan, **DO NOT** install any dimmer switch for this.
2. Check circuit fuses or breakers and make sure the battery is installed correctly.
3. Check line wire connections to the fan and switch wire connections in the switch

4. housing. **CAUTION: Make sure the main power is off.**



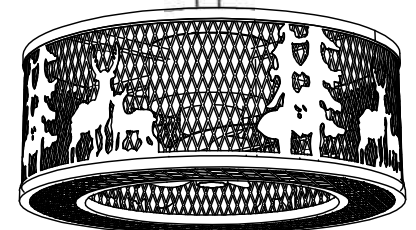
Problem: Light does not work

1. Check to see that the wire connections in the switch housing are connected.
2. Make wiring connections from the house to the LED light directly (don't connect the remote and the fan) to determine it's the issue of the LED light or not.



Problem: Fan will not start.

1. Check line wire connections to the fan and switch wire connections in the switch housing. **CAUTION: Make sure the main power is off.**
2. Make the Fan wiring connections Without the Remote & transmitter and the light, to determine it's the issue of the fan body or not.
 - a) Please don't wire the light at the bottom
 - b) Connect the Ceiling Fan Neutral Wire (White) to the Neutral Wire (White) coming through the ceilingConnect the Ceiling Fan Live Wire (Black) to the Live wire (Black or Colored) coming through the ceiling
Then turn on the main power, check the fan works separately or not.



Link the lamp body and the driver to the plug-in wire according to the corresponding Color Live Neutral at Link Drive to Power Wire (Attached Wiring Diagram)

