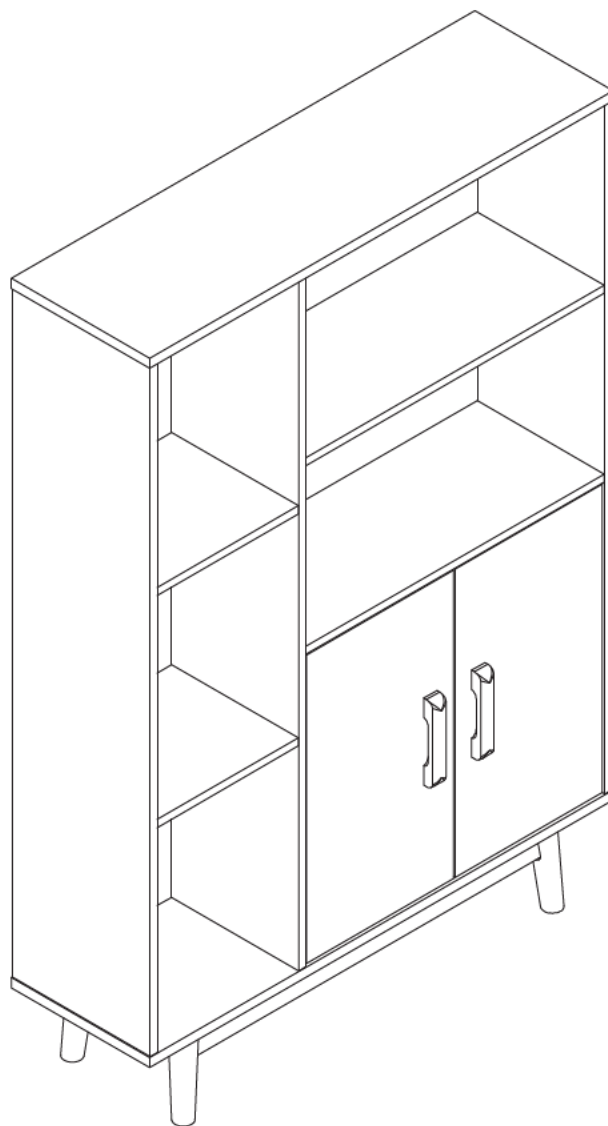

Bookcase > Manual



Thank you for purchasing our products.

Vielen Dank für Ihren Kauf von Homfa Produkten.

EN

WARNING

Serious or fatal injury may occur from unexpected assembly or use.

1. During the assembly process, keep all parts away from babies or children.
2. Always securely fix this product to the wall. Make sure the wall area to be drilled is free from hidden electrical wires, water and gas pipes.
3. Use of tip-over restraints may only reduce, but not eliminate the risk of tip-over.
4. Unless specially designed to accommodate, do not set heavy objects on top of this product.
5. Place the heaviest items on the lowest shelf.
6. Never allow children to climb or bang on drawers, doors or shelves.

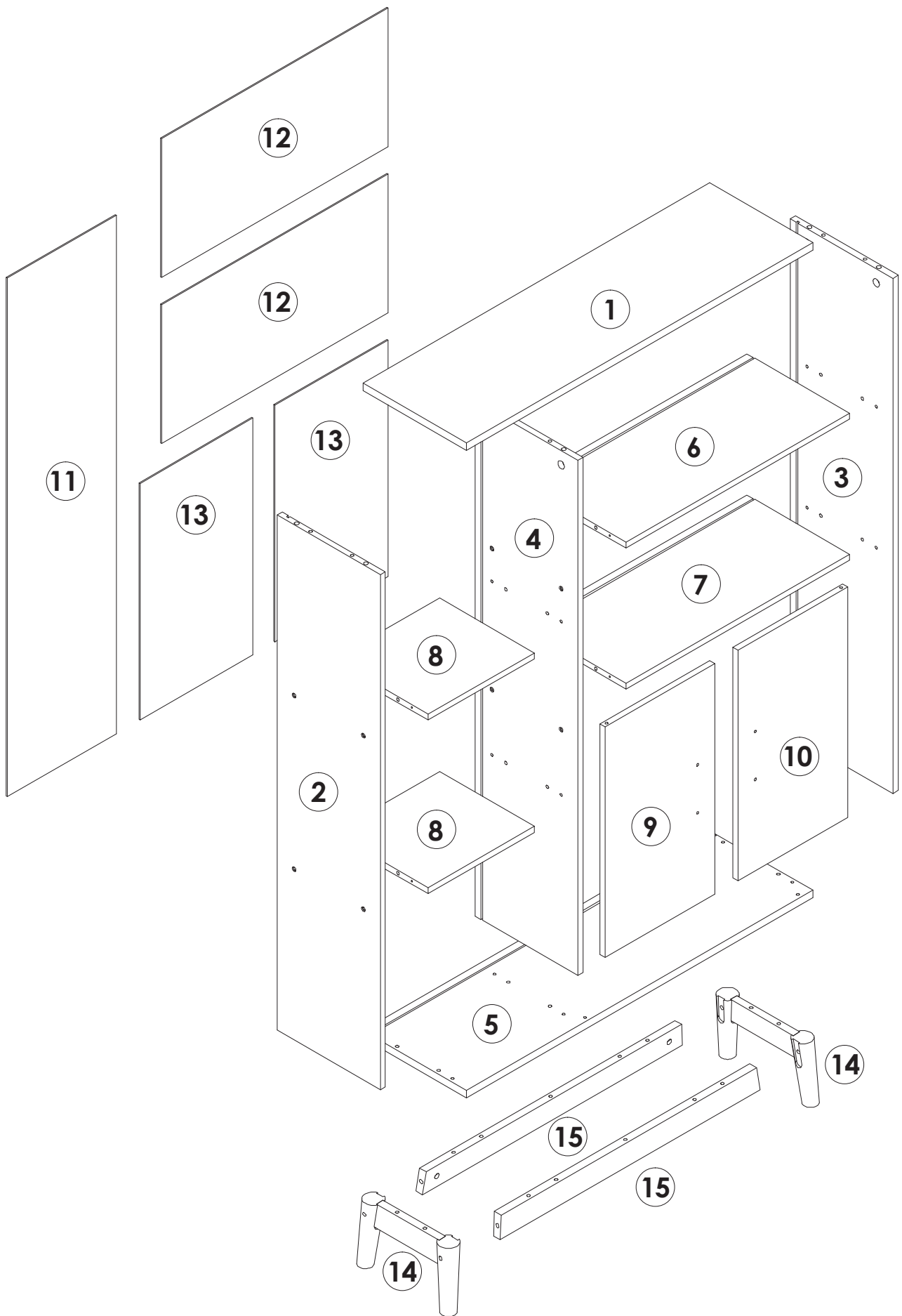
DE

WARNUNG

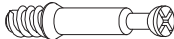


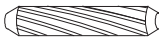

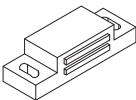
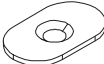
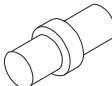
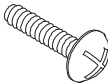
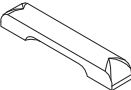


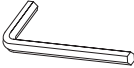
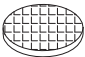








Bei unerwarteter Montage oder Verwendung können schwere oder tödliche Verletzung auftreten.

1. Legen Sie in den Montageprozess alle Teile weg von Babys oder Kindern.
2. Stellen Sie sicher, dass der gebohrte Wandbereich frei von verborgenen Stromkabeln, Wasser- und Gasleitungen ist, wenn Sie dieses Produkt an der Wand befestigen.
3. Die Verwendung von Kippsicherungen kann die Gefahr eines Kippens nur verringern, jedoch nicht beseitigen.
4. Setzen Sie bitte keine schweren Gegenstände auf dieses Produkt, es sei denn, dass das Produkt speziell für die Unterbringung konzipiert wird.
5. Legen Sie bitte die schwersten Gegenstände auf das unterste Regal.
6. Erlauben Sie nie Kindern, auf Schubladen, Türen oder Regale zu klettern oder zu knallen.

Parts List(EN) / Teile Liste(DE)

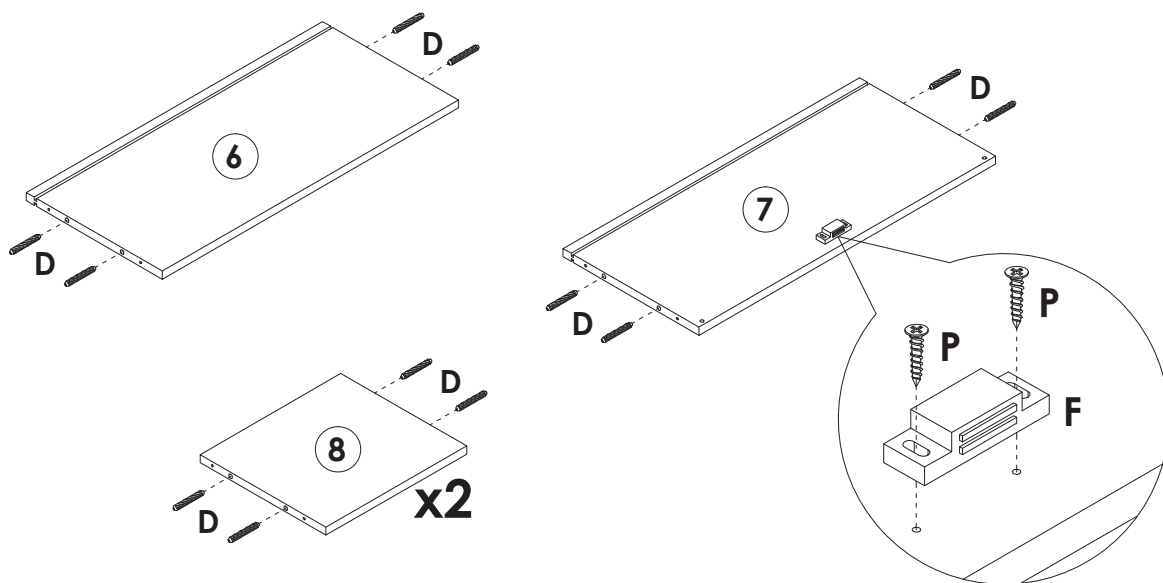


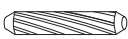


Parts List(EN) / Teile Liste(DE)

<p>A</p>  <div style="text-align: center; border: 1px solid black; padding: 2px; width: fit-content; margin: 0 auto;">6PCS</div>	<p>B</p>  <p style="text-align: center;">ϕ15x9mm</p> <div style="text-align: center; border: 1px solid black; padding: 2px; width: fit-content; margin: 0 auto;">6PCS</div>	<p>C</p>  <p style="text-align: center;">M4x40mm</p> <div style="text-align: center; border: 1px solid black; padding: 2px; width: fit-content; margin: 0 auto;">24PCS</div>	<p>D</p>  <p style="text-align: center;">ϕ6x30mm</p> <div style="text-align: center; border: 1px solid black; padding: 2px; width: fit-content; margin: 0 auto;">32PCS</div>
<p>E</p>  <p style="text-align: center;">M3x12mm</p> <div style="text-align: center; border: 1px solid black; padding: 2px; width: fit-content; margin: 0 auto;">2PCS</div>	<p>F</p>  <div style="text-align: center; border: 1px solid black; padding: 2px; width: fit-content; margin: 0 auto;">1PC</div>	<p>G</p>  <div style="text-align: center; border: 1px solid black; padding: 2px; width: fit-content; margin: 0 auto;">2PCS</div>	<p>H</p>  <div style="text-align: center; border: 1px solid black; padding: 2px; width: fit-content; margin: 0 auto;">4PCS</div>
<p>I</p>  <p style="text-align: center;">M4x18mm</p> <div style="text-align: center; border: 1px solid black; padding: 2px; width: fit-content; margin: 0 auto;">4PCS</div>	<p>J</p>  <div style="text-align: center; border: 1px solid black; padding: 2px; width: fit-content; margin: 0 auto;">2PCS</div>	<p>K</p>  <p style="text-align: center;">M6x65mm</p> <div style="text-align: center; border: 1px solid black; padding: 2px; width: fit-content; margin: 0 auto;">4PCS</div>	<p>L</p>  <div style="text-align: center; border: 1px solid black; padding: 2px; width: fit-content; margin: 0 auto;">4PCS</div>
<p>M</p>  <div style="text-align: center; border: 1px solid black; padding: 2px; width: fit-content; margin: 0 auto;">1PC</div>	<p>N</p>  <div style="text-align: center; border: 1px solid black; padding: 2px; width: fit-content; margin: 0 auto;">4PCS</div>	<p>O</p>  <p style="text-align: center;">ϕ20mm</p> <div style="text-align: center; border: 1px solid black; padding: 2px; width: fit-content; margin: 0 auto;">22PCS</div>	<p>P</p>  <p style="text-align: center;">M3x14mm</p> <div style="text-align: center; border: 1px solid black; padding: 2px; width: fit-content; margin: 0 auto;">20PCS</div>
<p>Q</p>  <div style="text-align: center; border: 1px solid black; padding: 2px; width: fit-content; margin: 0 auto;">16PCS</div>	<p>R</p>  <div style="text-align: center; border: 1px solid black; padding: 2px; width: fit-content; margin: 0 auto;">4PCS</div>	<p>S</p>  <div style="text-align: center; border: 1px solid black; padding: 2px; width: fit-content; margin: 0 auto;">2PCS</div>	<p>T</p>  <div style="text-align: center; border: 1px solid black; padding: 2px; width: fit-content; margin: 0 auto;">2PCS</div>
<p>U</p>  <p style="text-align: center;">M4x35mm</p> <div style="text-align: center; border: 1px solid black; padding: 2px; width: fit-content; margin: 0 auto;">10PCS</div>	<p>V</p>  <div style="text-align: center; border: 1px solid black; padding: 2px; width: fit-content; margin: 0 auto;">1PC</div>		

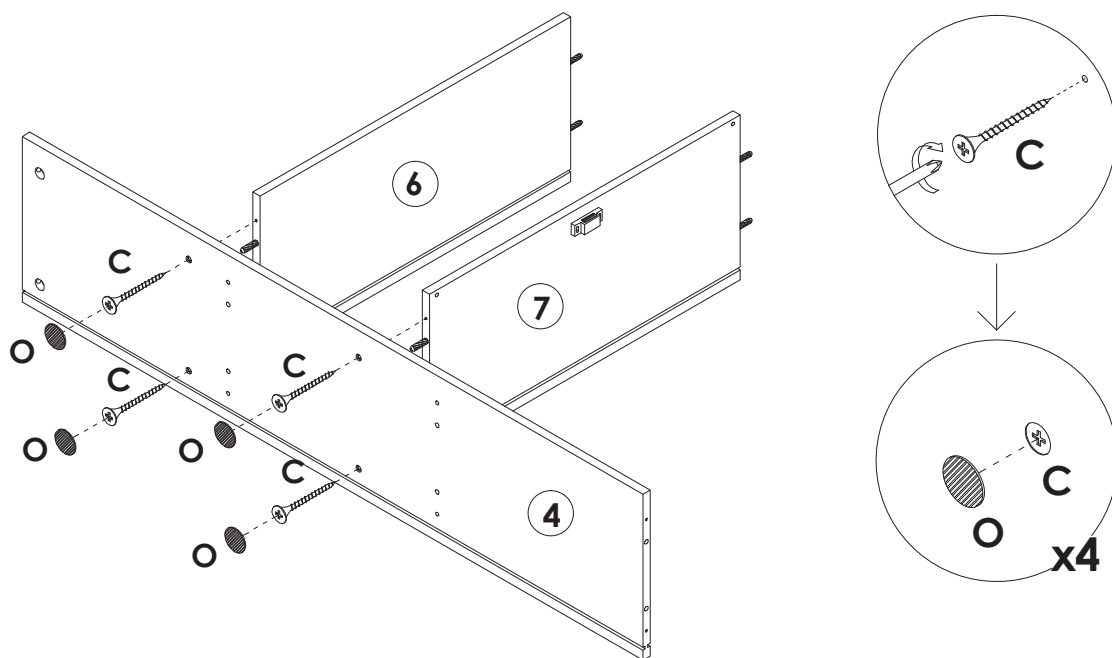
Assembly Steps(EN) / Montageschritte(DE)

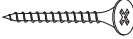

STEP 1



	D x 16PCS
	F x 1PC
	P x 2PCS

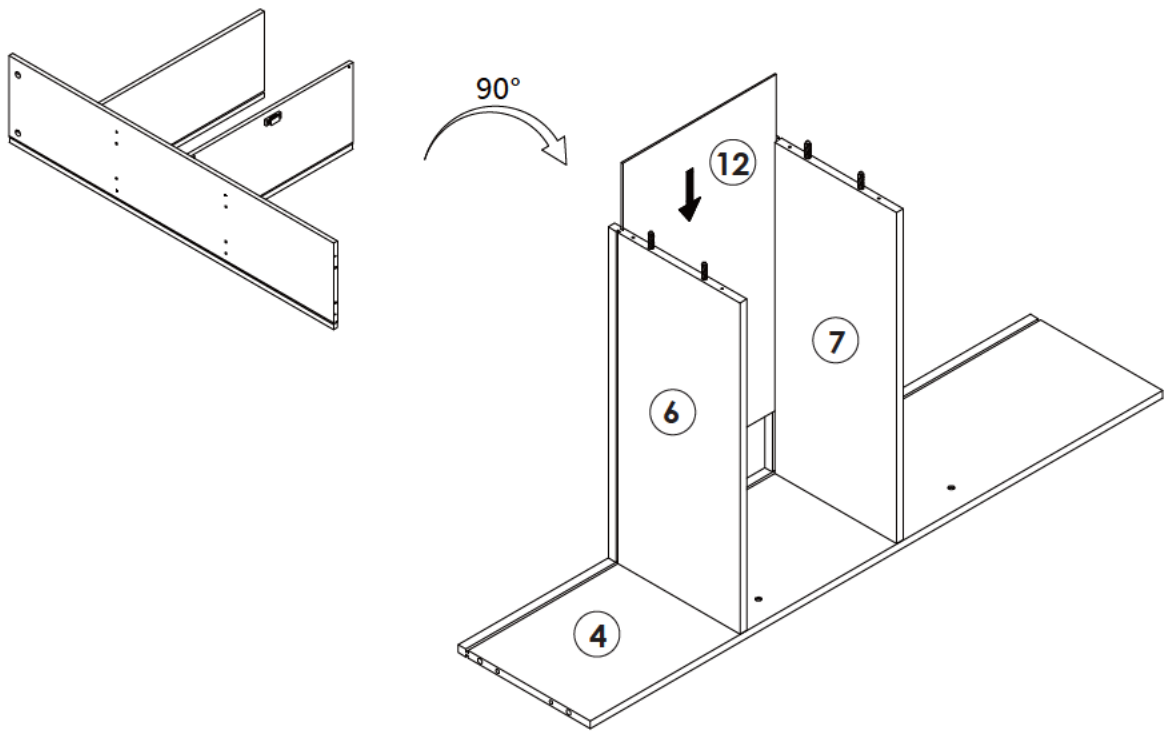
STEP 2



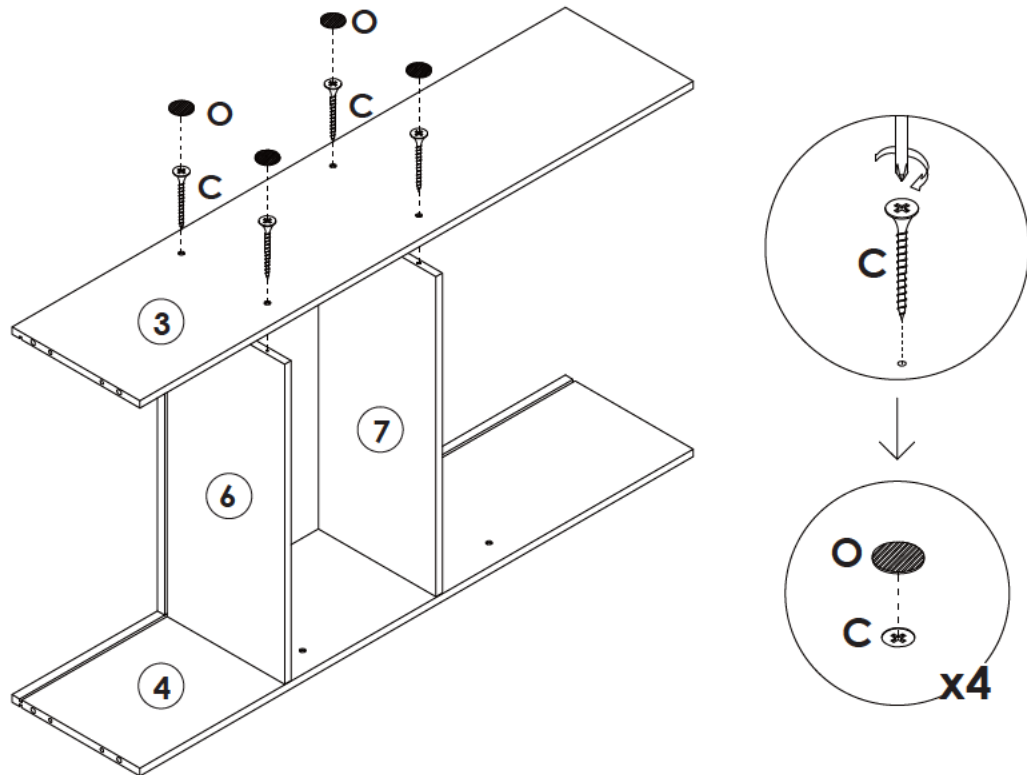
	C x 4PCS
	O x 4PCS

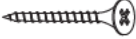

Assembly Steps(EN) / Montageschritte(DE)

STEP 3



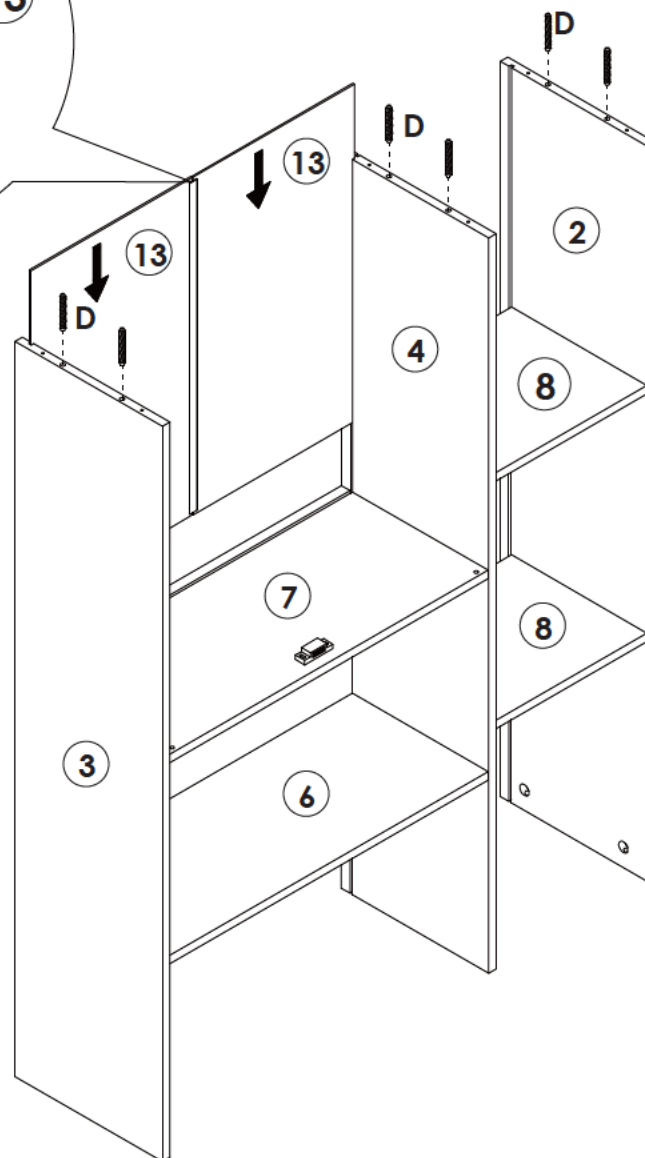
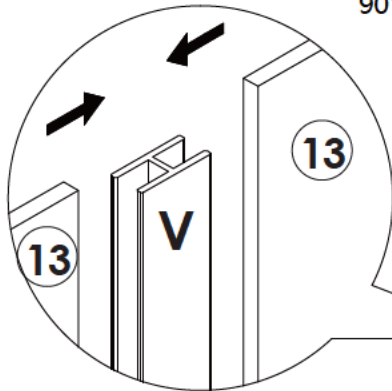
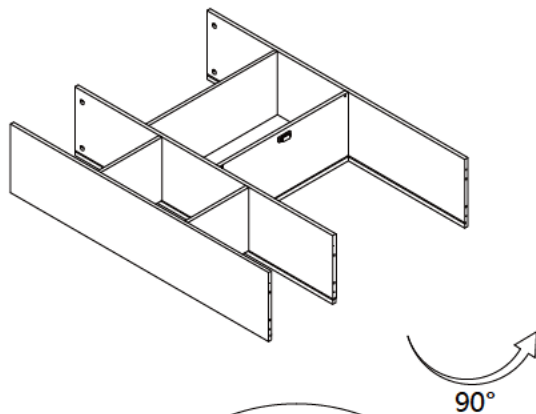
STEP 4



	C x 4PCS
	O x 4PCS

Assembly Steps(EN) / Montageschritte(DE)

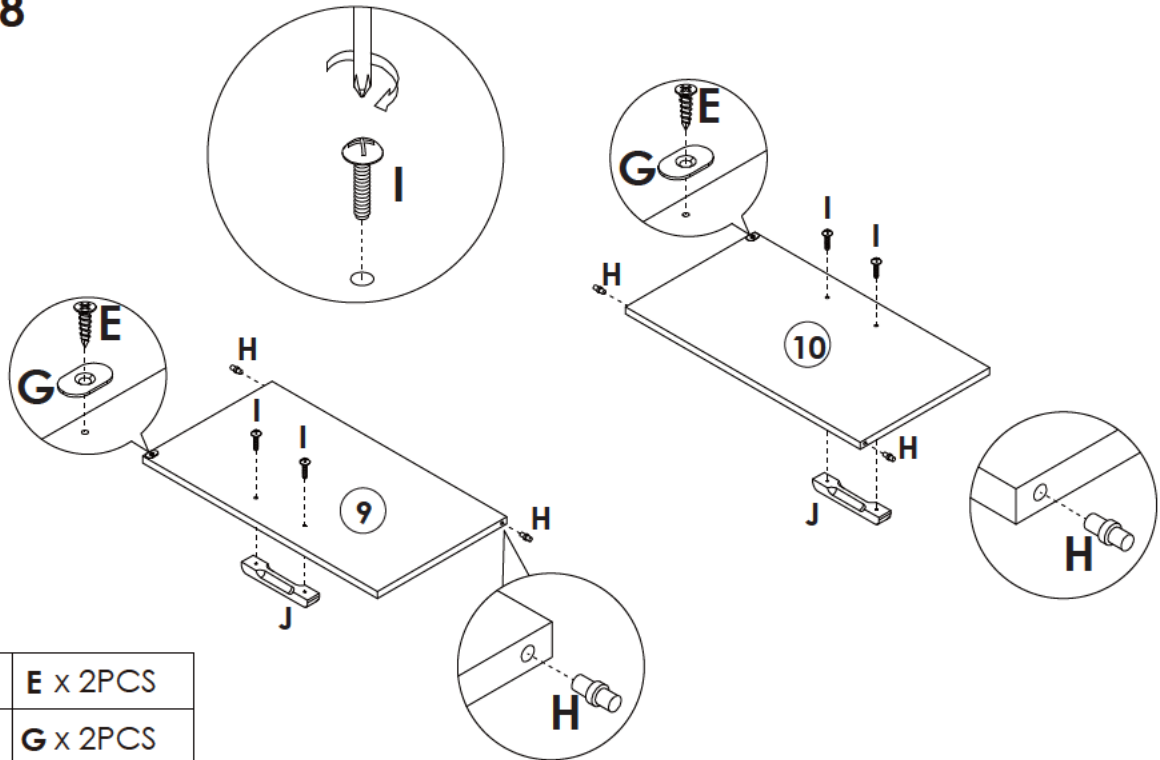
STEP 7








D x 6PCS

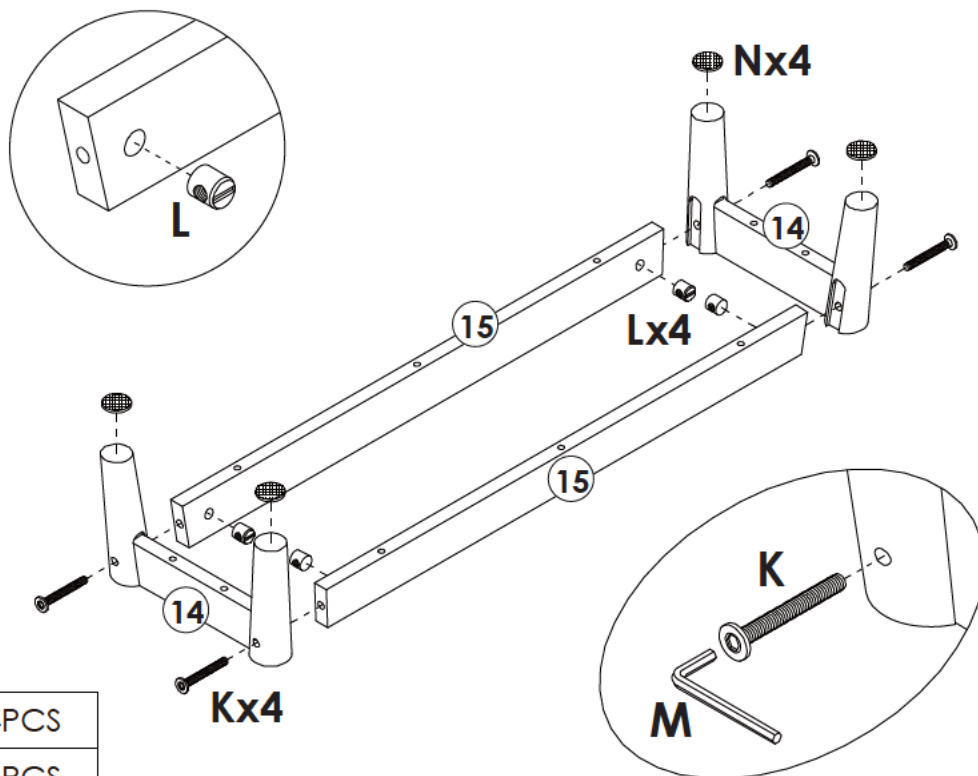
Assembly Steps(EN) / Montageschritte(DE)





STEP 8



	E x 2PCS
	G x 2PCS
	H x 4PCS
	I x 4PCS
	J x 2PCS

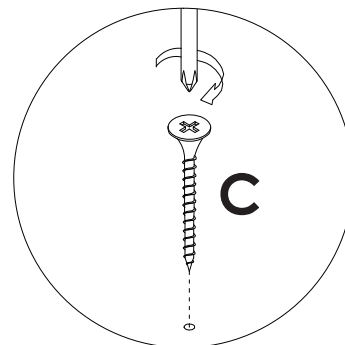
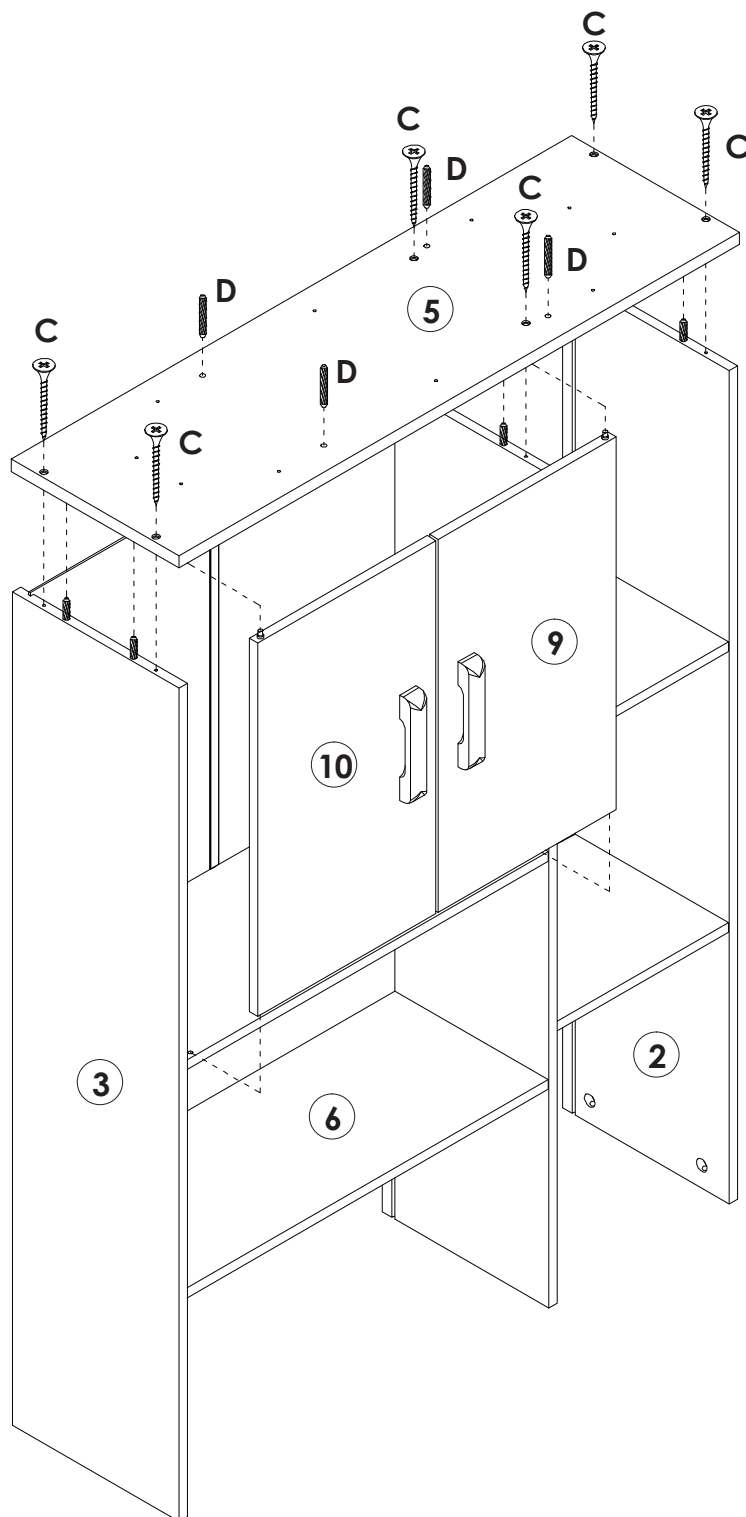
STEP 9

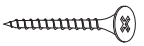



	K x 4PCS
	L x 4PCS
	M x 1PC
	N x 4PCS

Assembly Steps(EN) / Montageschritte(DE)

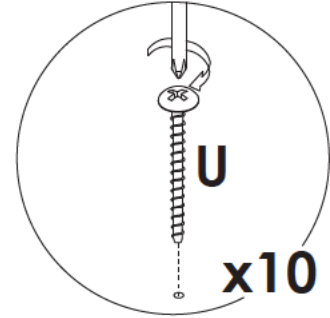
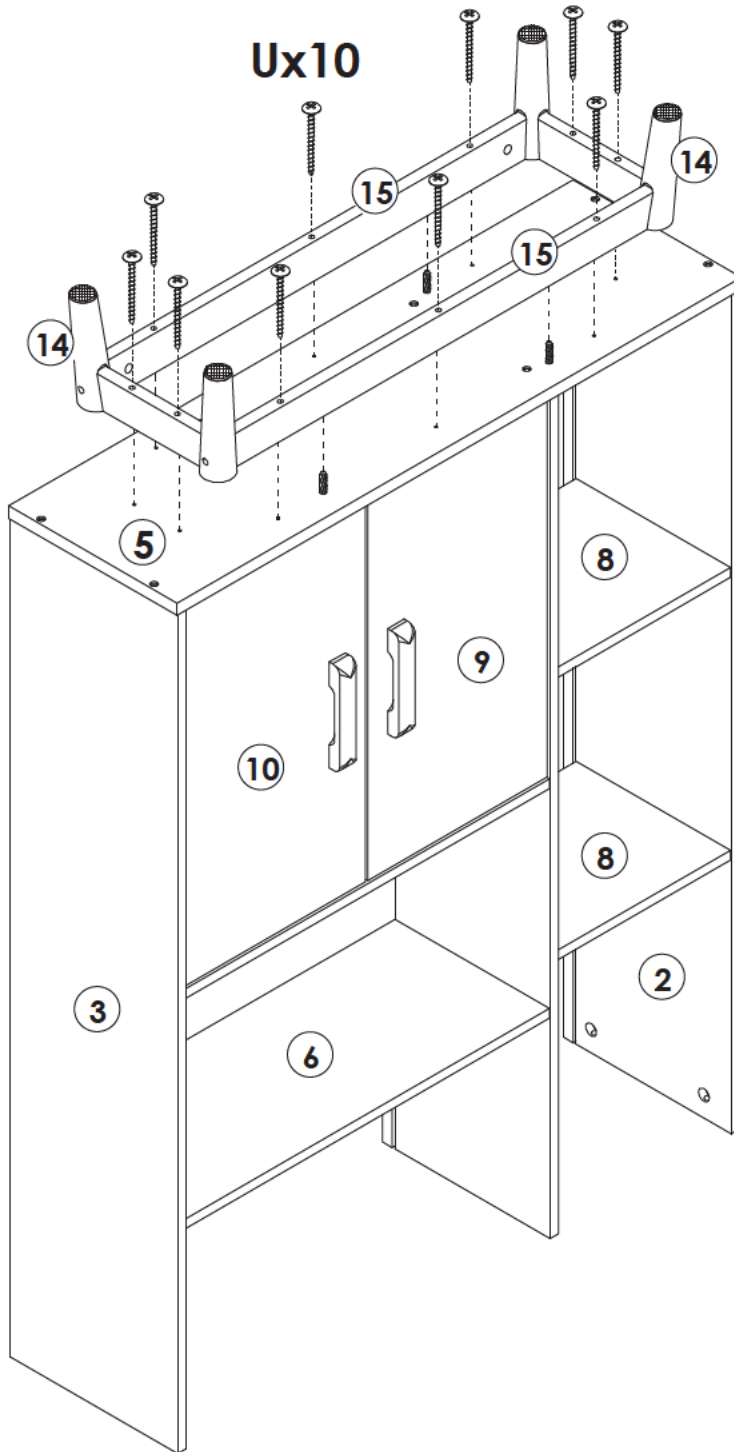
STEP 10

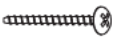


	C x 6PCS
	D x 4PCS

Assembly Steps(EN) / Montageschritte(DE)

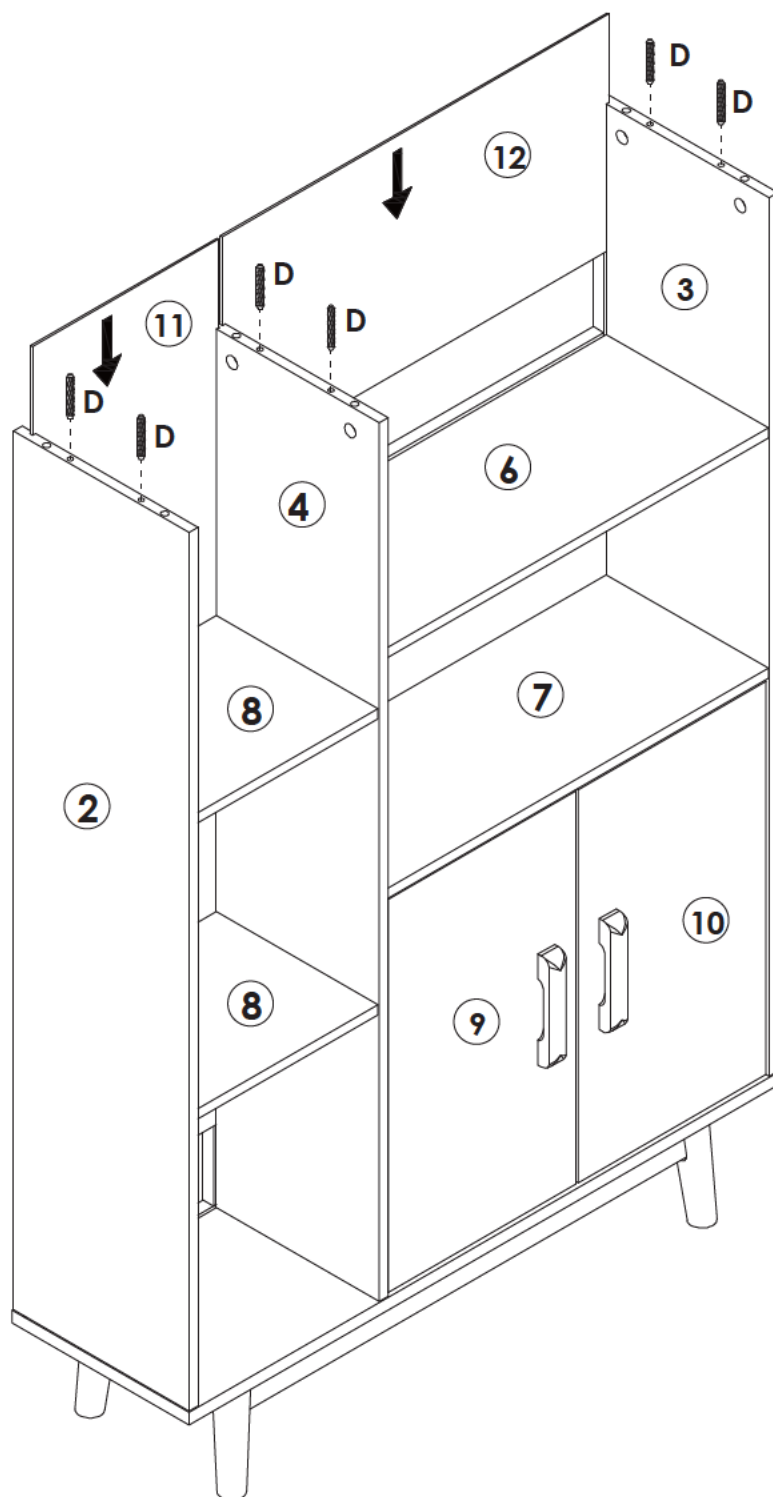
STEP 11



 **U x 10PCS**

Assembly Steps(EN) / Montageschritte(DE)

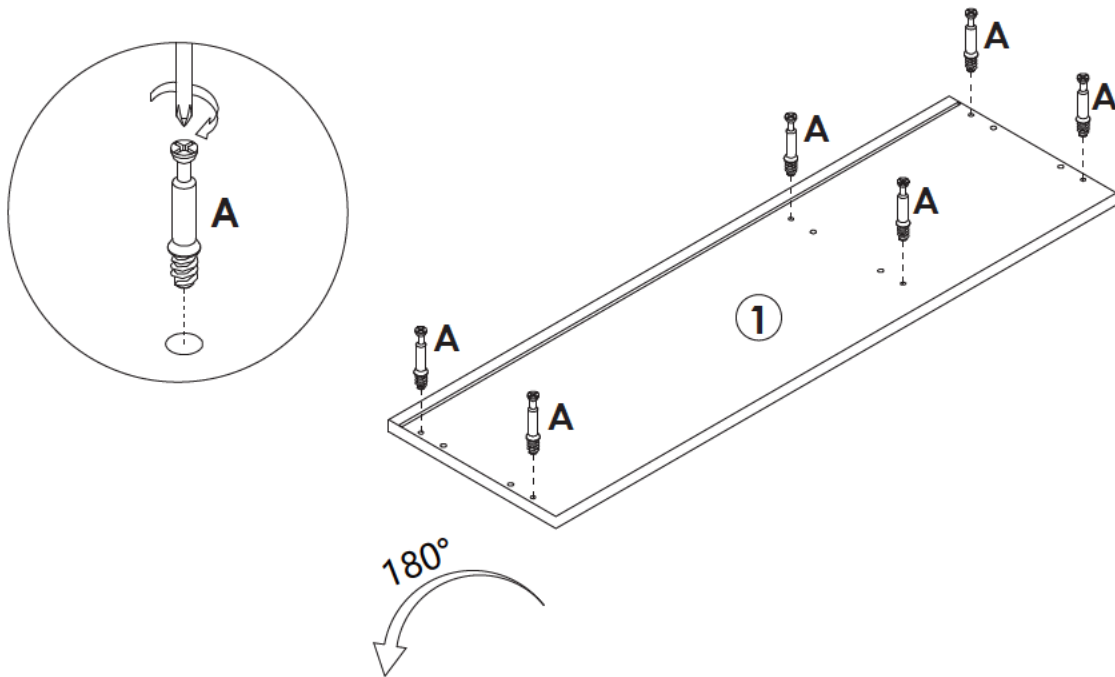
STEP 12



D x 6PCS

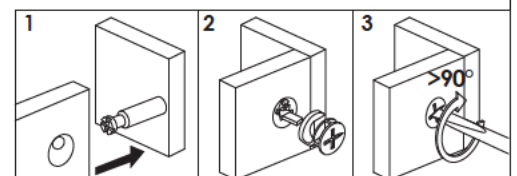
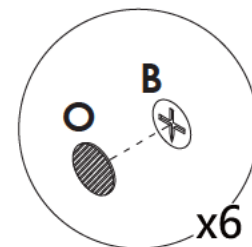
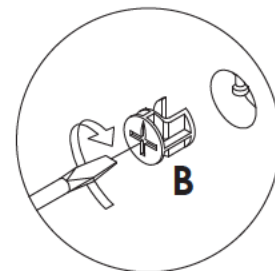
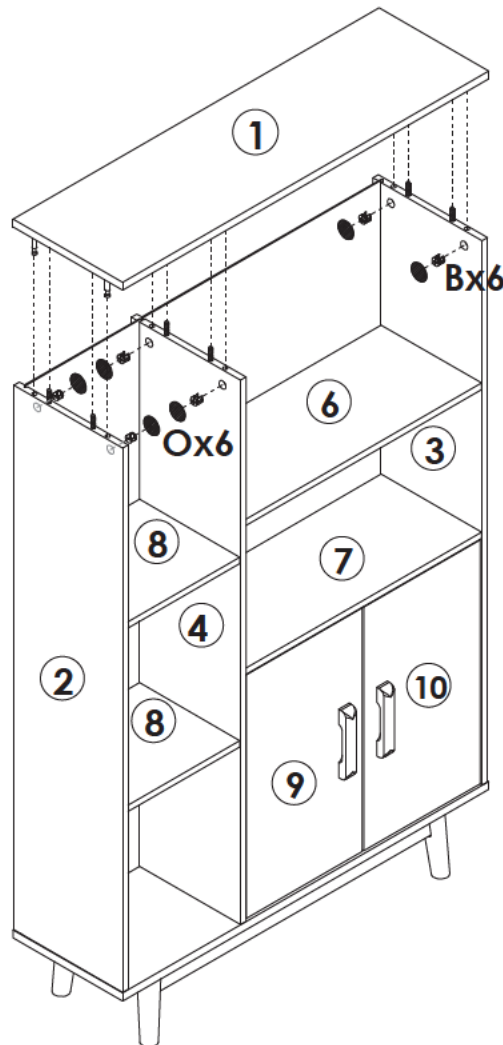
Assembly Steps(EN) / Montageschritte(DE)


STEP 13




 A x 6PCS

STEP 14

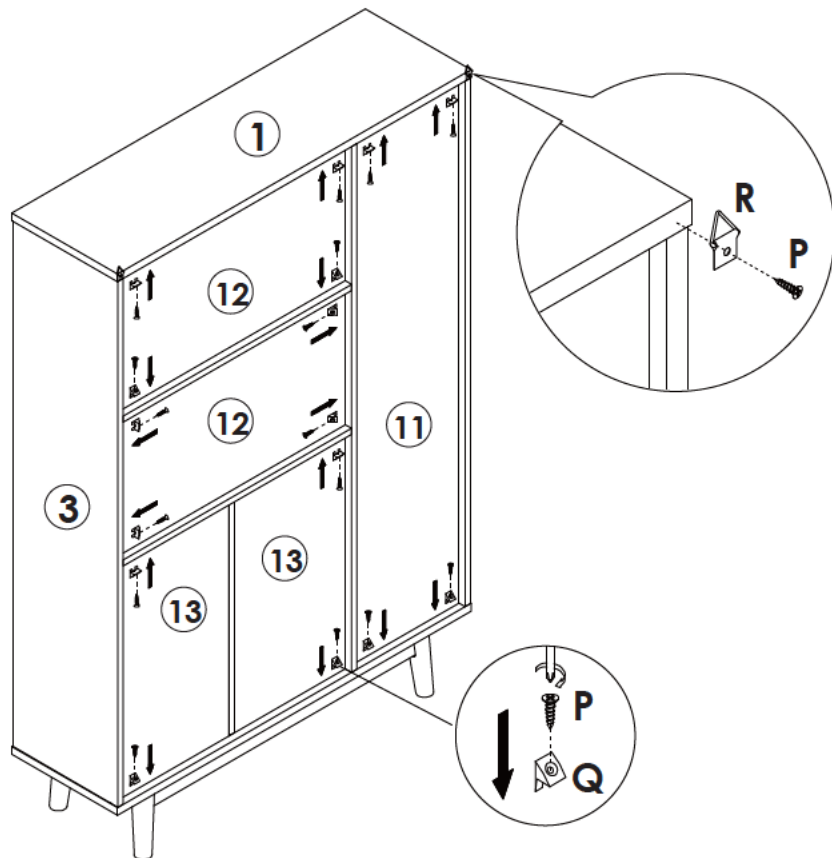





 B x 6PCS

 O x 6PCS

Assembly Steps(EN) / Montageschritte(DE)

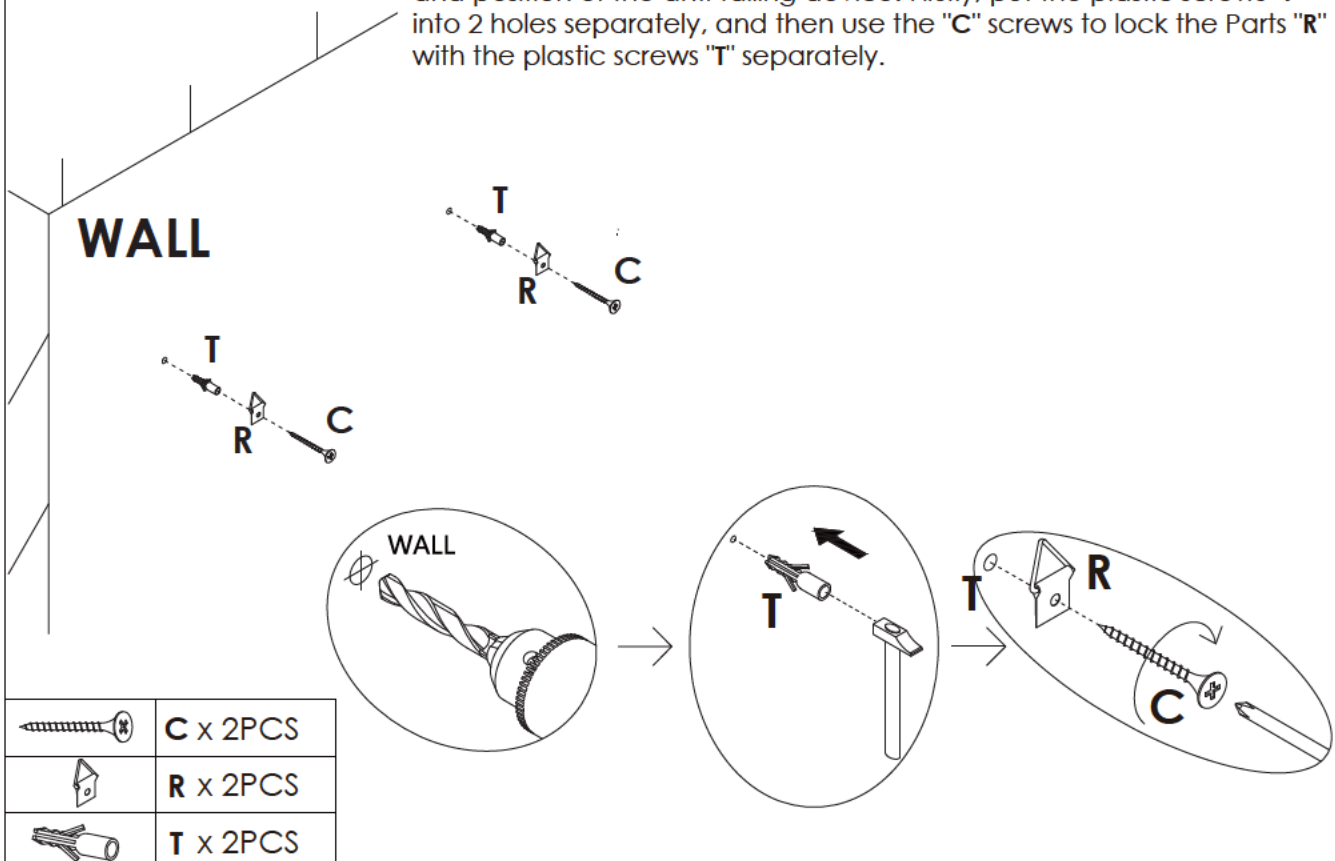
STEP 15 Use the "P" screw to lock the "R" Part on the back of the "1" board.

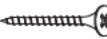




	P x 18PCS
	Q x 16PCS
	R x 2PCS

STEP 16

After installation, move the cabinet to the position you need, and drill 2 holes on the wall at the corresponding position according to the height and position of the anti-falling device. Firstly, put the plastic screws "T" into 2 holes separately, and then use the "C" screws to lock the Parts "R" with the plastic screws "T" separately.

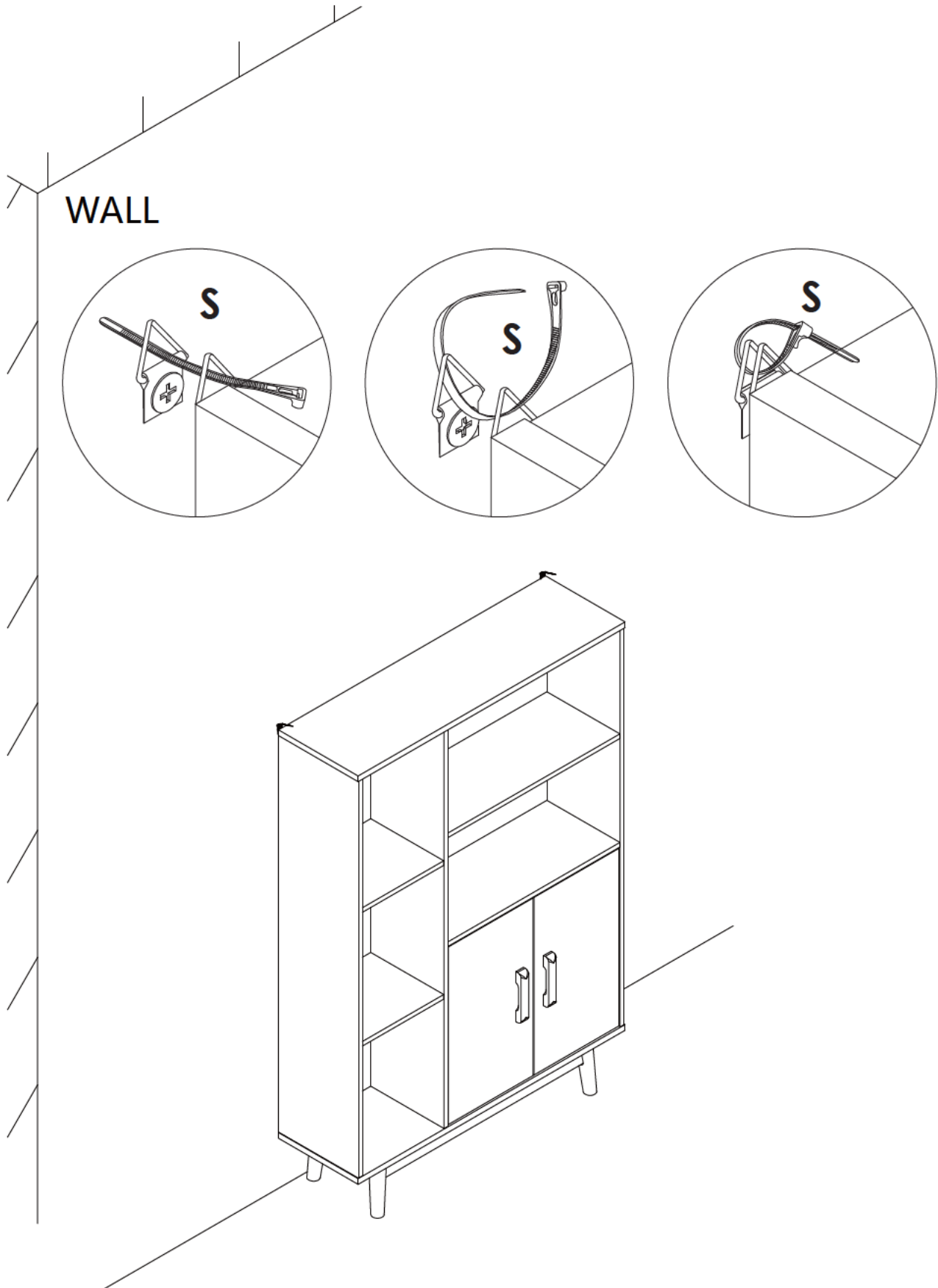


	C x 2PCS
	R x 2PCS
	T x 2PCS

Assembly Steps(EN) / Montageschritte(DE)

STEP 17

After that, move the cabinet to the corresponding position, then use the part "S" to pass through the part "R", and tighten it. The installation of the anti-falling device is completed.



S x 2PCS



WARNING



Children have died from furniture tipover. To reduce the risk of furniture tipover:

- **ALWAYS** install tipover restraint provided.
- **NEVER** put a TV on this product.
- **NEVER** allow children to stand, climb or hang on drawers, doors, or shelves.
- **NEVER** open more than one drawer at a time.
- Place heaviest items in the lowest drawers.

