

PARTS



A



B



C



D



x4
(M6x45mm)

E



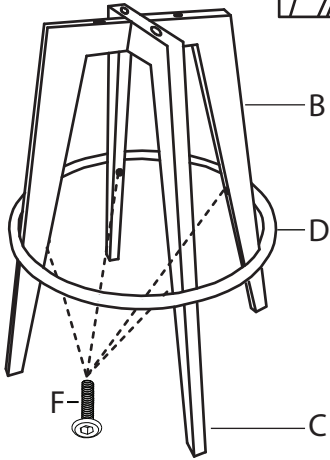
x4
(M6x50mm)

F

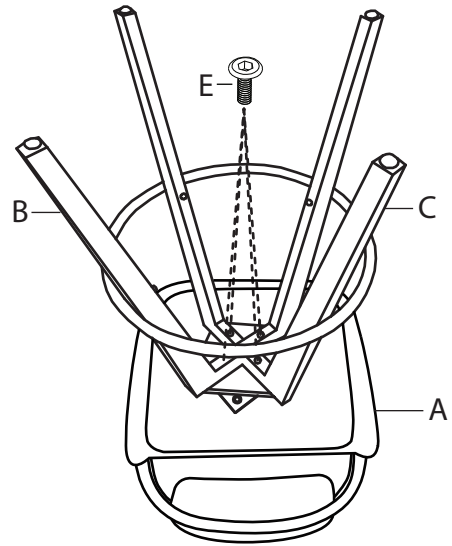


G

1



2



3



Do not over tighten.
Do not use power tools to assemble.