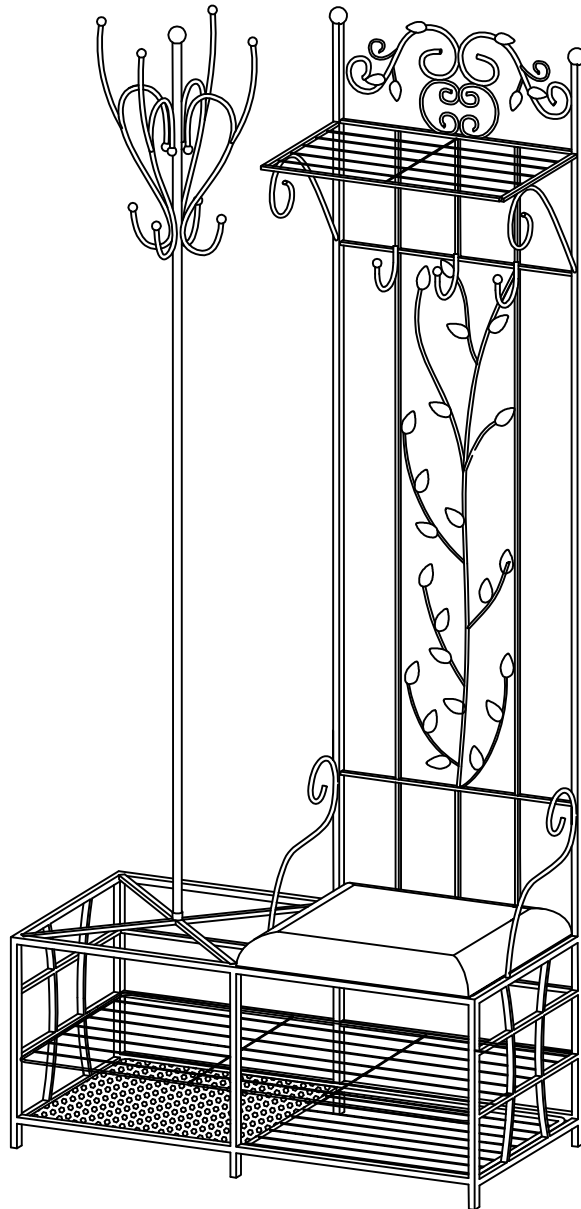


ASSEMBLY INSTRUCTIONS

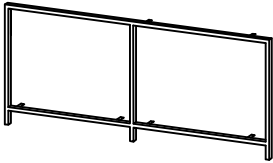
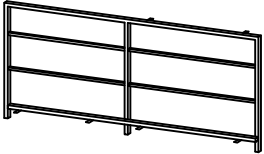
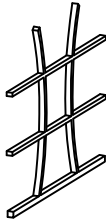
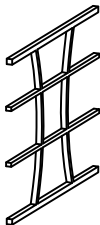
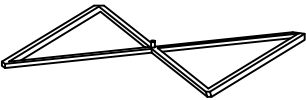

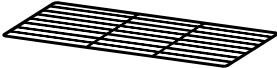






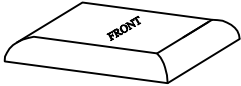
Coat Bench With Umbrella Rack










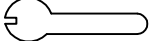
Before Beginning

- 1) Save all packaging until assembly is completed.
- 2) Read instructions cover to cover.
- 3) It is recommended that this item should be assembled by two adults.
- 4) Do not assemble on flooring or carpet.
- 5) Assemble on a clean non-marking surface (packing foam).
- 6) Unpack all hardware packs and components to ensure that no parts are missing.

Part List

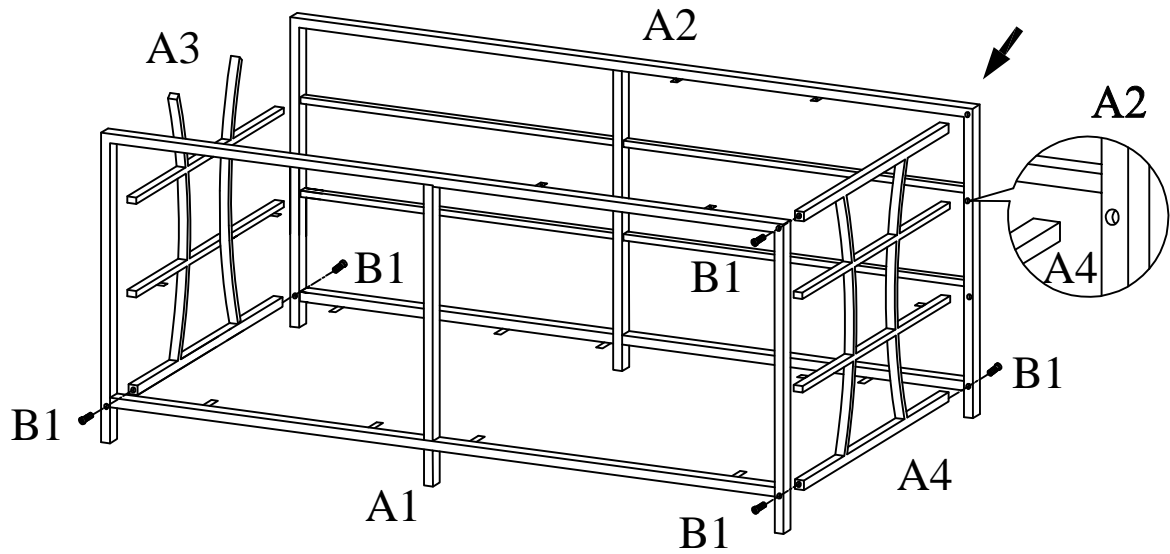
			
A1 1PC Front Frame	A2 1PC Back Frame	A3 1PC Side Frame	A4 1PC Side Frame
			
A5 1PC Top Frame	A6 1PC 1PC Bottom Shelf	A7 1PC 1PC Middle Shelf	A8 1PC Backrest
			
A9 2PCS	A10 2PCS Stopper	A11 3PCS Hook	A12 1PC Coat Rack
			
A13 2PC Hanger	A14 PC Cushion		

Hardware List

				
B1 10PCS	B2 3PCS	B3 4PCS	B4 4SETS	Allen key
				
B5 1SET	B6 1SET	Spanner		

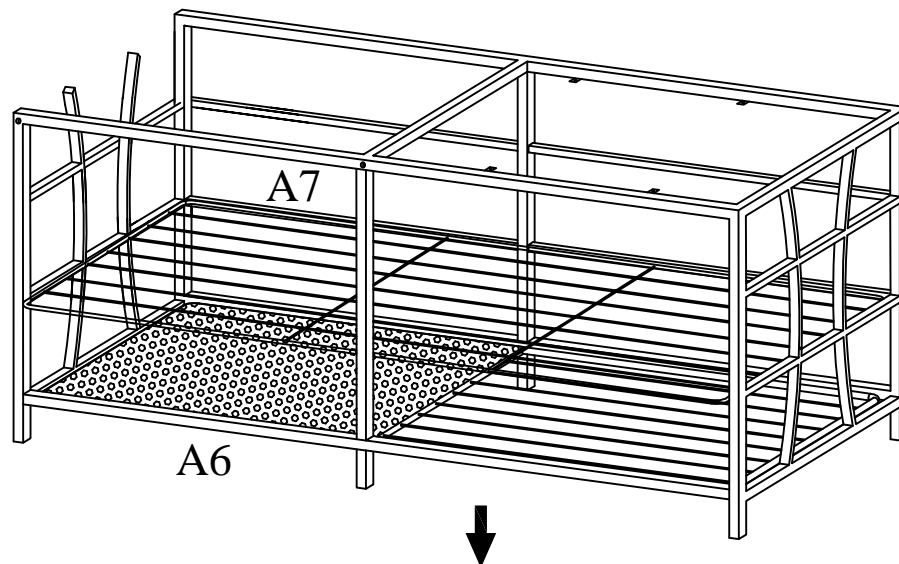
STEP 1

Do not screw
bolt B1 here.



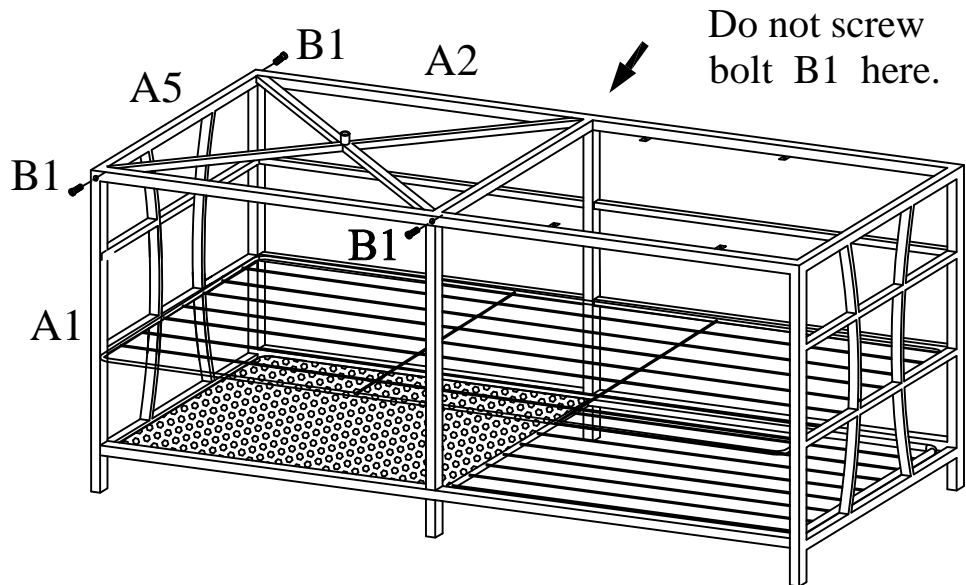
Assemble side frame A3 & A4 to the front frame A1 using bolts B1, then attach the back frame A2 to side frame A3 & A4 using bolts B1. Please do not tighten bolts B1 until step 5 . Refer to picture.

STEP 2



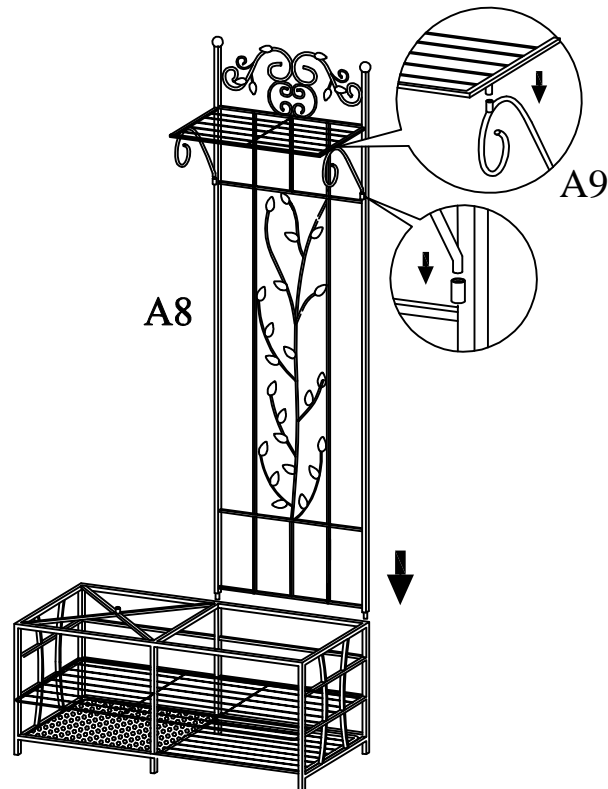
Place the bottom shelf A6 & middle shelf A7 onto the frame supporter as shown in picture.

STEP 3



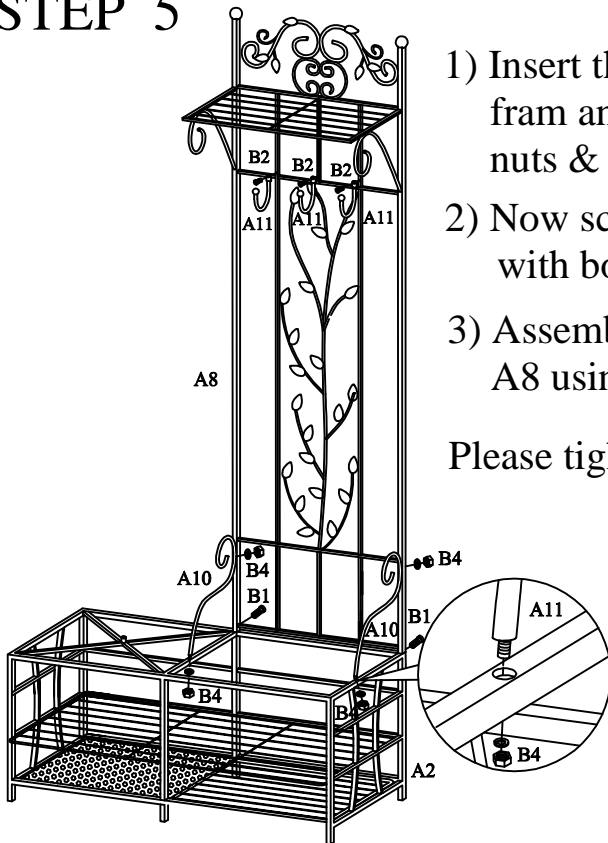
Screw the frame A5 to front frame A1 & back frame A2 using bolts B1. please do not tighten bolts until step 5. Refer to picture.

STEP 4



Insert the backrest A8 to the back frame A2, then insert the supporters A9 to backreat A8 and put down the top frame onto the supporters A9 as shown in picture.

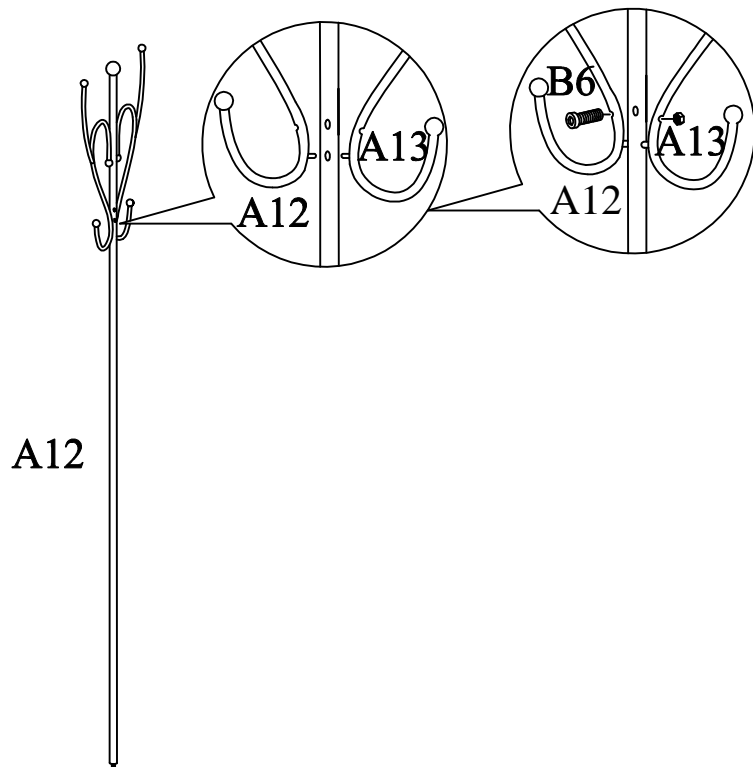
STEP 5



- 1) Insert the stopper A10 to the holes on the seat frame and backrest A8, then screw them using nuts & spring B4.
- 2) Now screw the backrest A8 to the back frame A2 with bolts B1.
- 3) Assemble the hooks A11 to the top of backrest A8 using bolts B2.

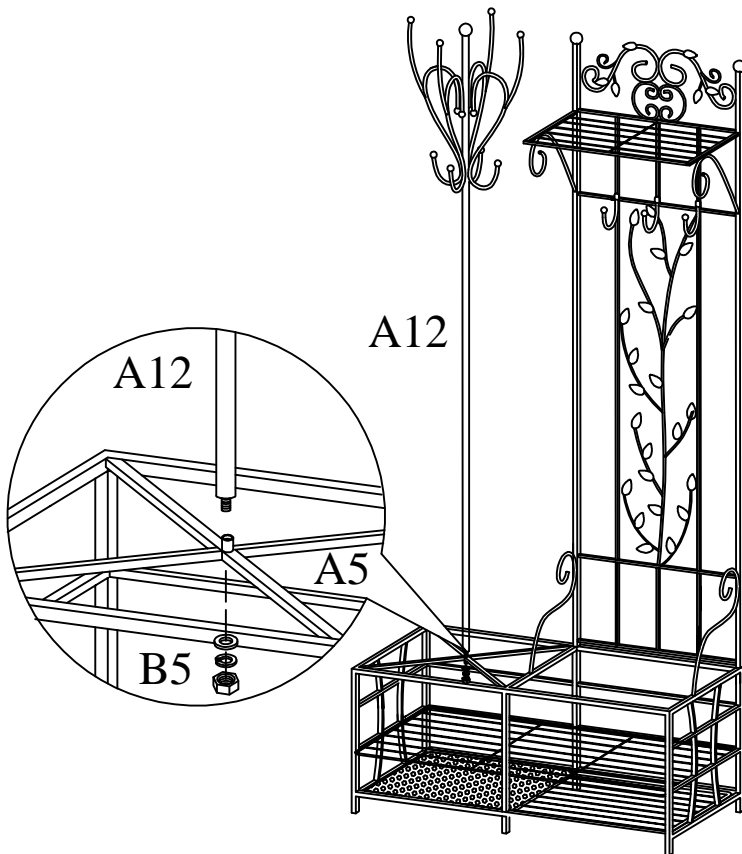
Please tighten all bolts at this point.

STEP 6



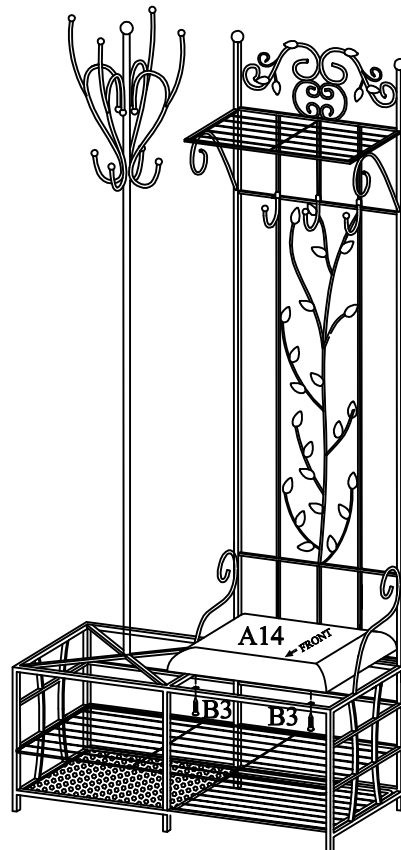
Attach the hanger A13 to the coat rack A12 using bolt & nut B6.

STEP 7



Assemble the coat rack A12 to the top frame A5 using a set of B5.

STEP 8



Attach the cushion A14 to the seat frame using screws B3.

Note: Maximum load capacity is :250lbs

MADE IN CHINA