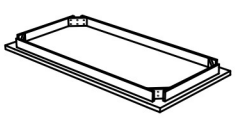
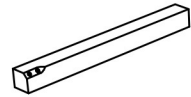


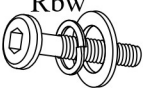

ASSEMBLY INSTRUCTIONS

DINING TABLE

(Box 1)
BOX OF TABLE

No	ITEM	Qty
A	Table 	1 pc
B	Leg 	4 pcs

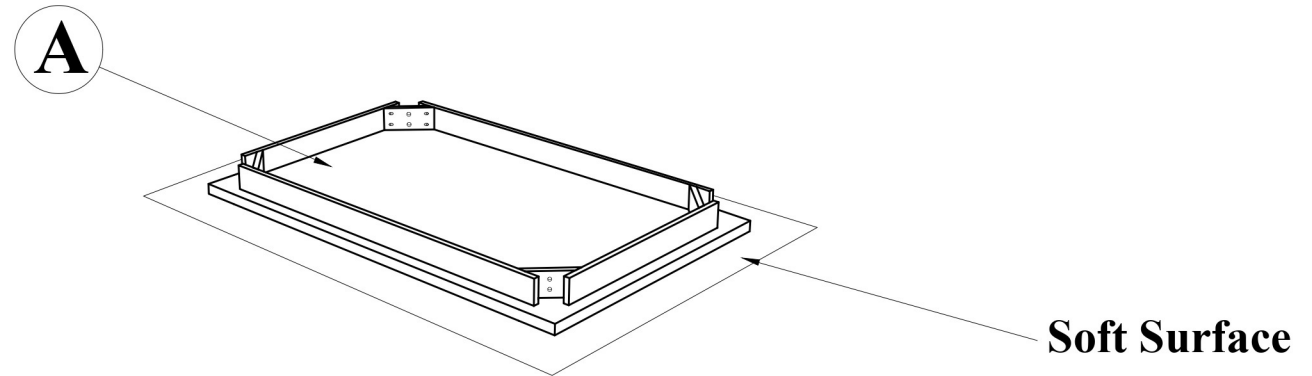
(Box 1)
HARDWARE LIST

No	ITEM	Qty
1	JCBB Bolt m8x60mm Rbw 	8 pcs
2	ALLEN KEY m5x65mm Blk 	1 pc

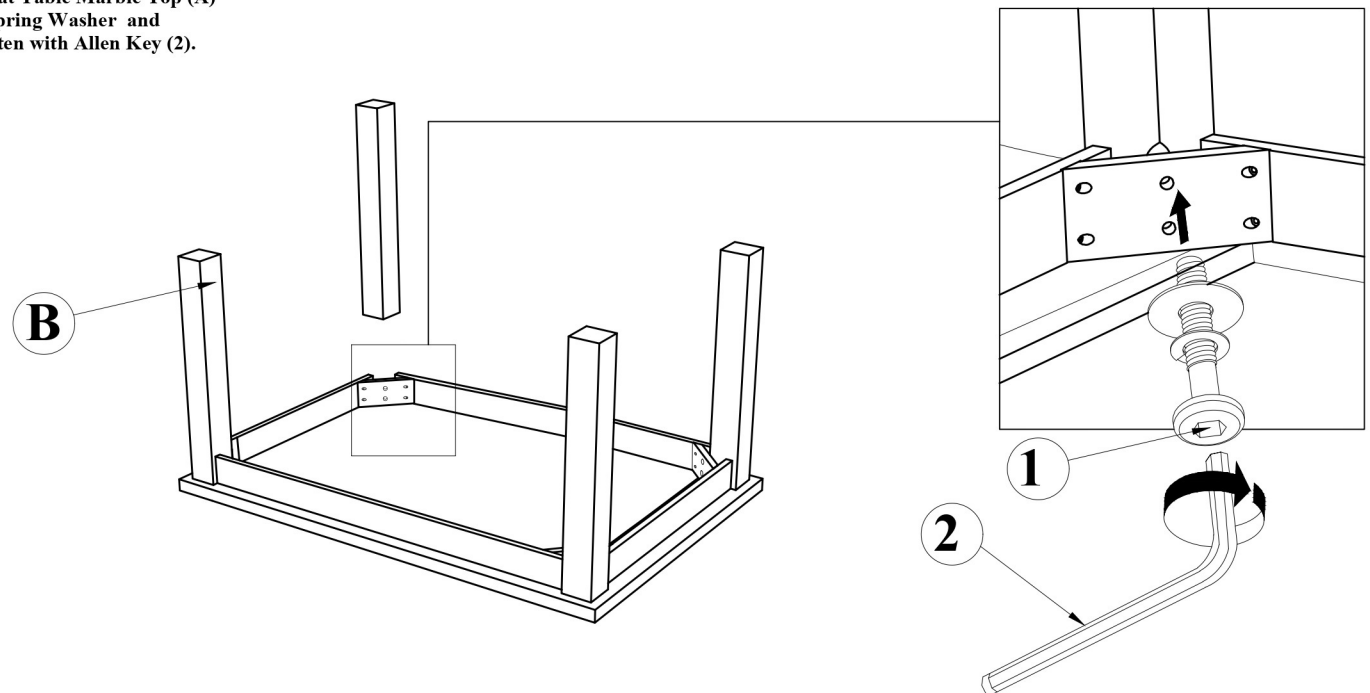
REMARK:

THE HARDWARE IS LOCATED IN THE PACKING ITEM.

STEP 1 : Attach Table Dining Top (A) at soft surface



STEP 2 : Attach Leg Post (B) at Table Marble Top (A) with Flat Washer ,Spring Washer and JCBB Bolt and tighten with Allen Key (2).



NOTE : MUST TIGHTEN SCREWS PERIODCALLY WITH USE SCREW WILL BECOME LOOSE CHECK TIGHTNESS OF ALL SCREW EVERY 6-8 WEEKS.