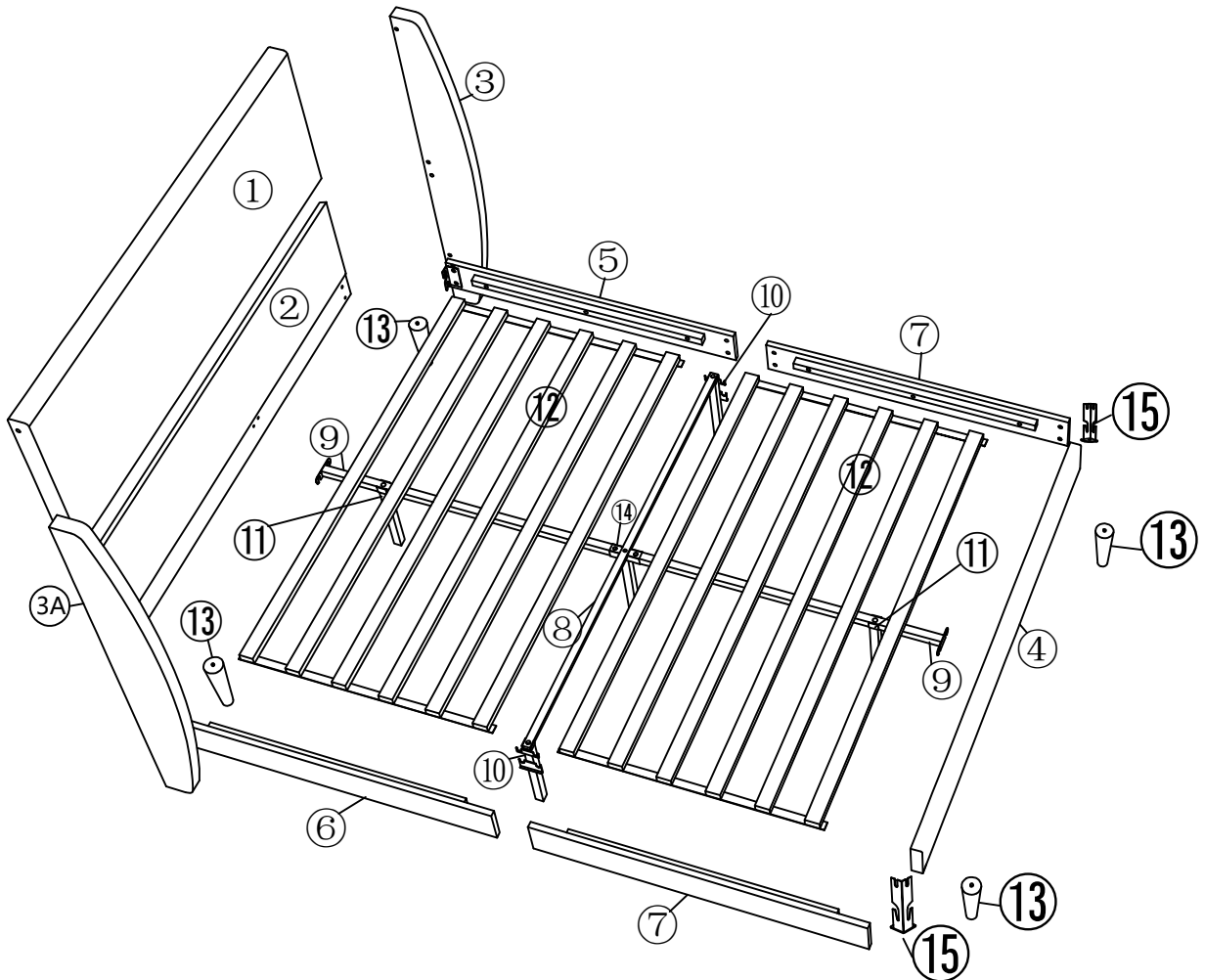
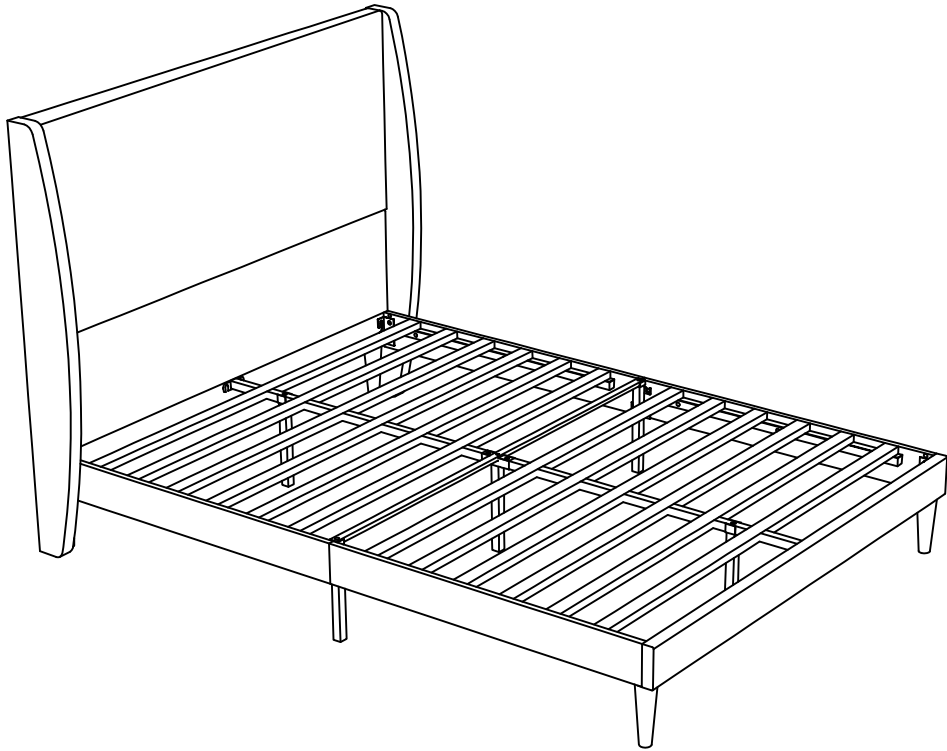
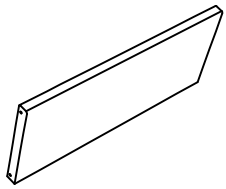


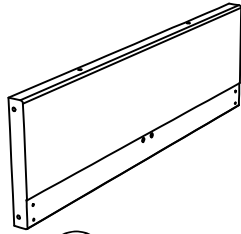
Installation Manual



Parts



①x1PCS



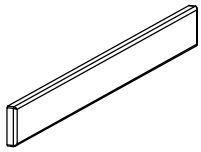
②x1PCS



③A)x1PCS



③)x1PCS



④x1PCS



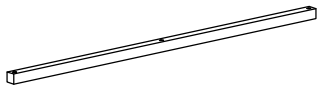
⑤x1PCS



⑥x1PCS



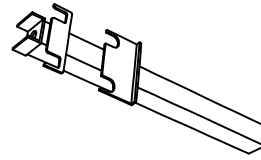
⑦x2PCS



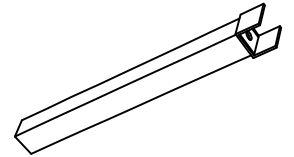
⑧x1PCS



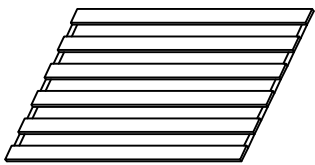
⑨x2PCS



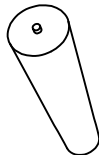
⑩x2PCS



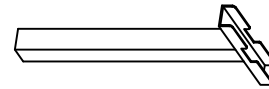
⑪x2PCS



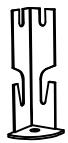
⑫x2PCS



⑬x4PCS

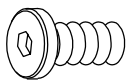


⑭x1PCS



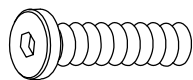
⑮x2PCS

Hardware



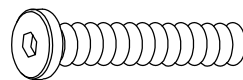
M8×18mm

①A)x12pcs+1pc



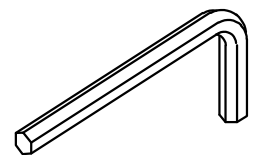
M8×35mm

①B)x18pcs+2pc



M8×45mm

①C)x1pcs



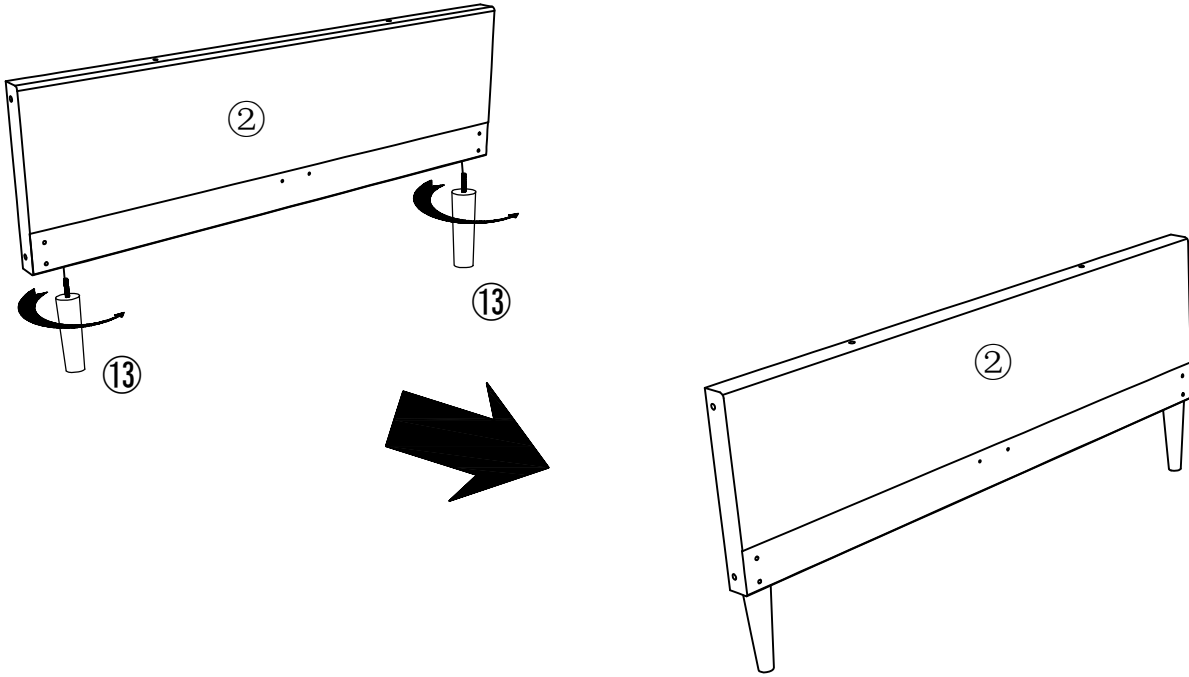
D5mm

①D)x1pcs

When replacement request, please tell us Component Alphabet and Model Number.

1

Note: For easy setup intention,
do not tighten screws during
the installation process

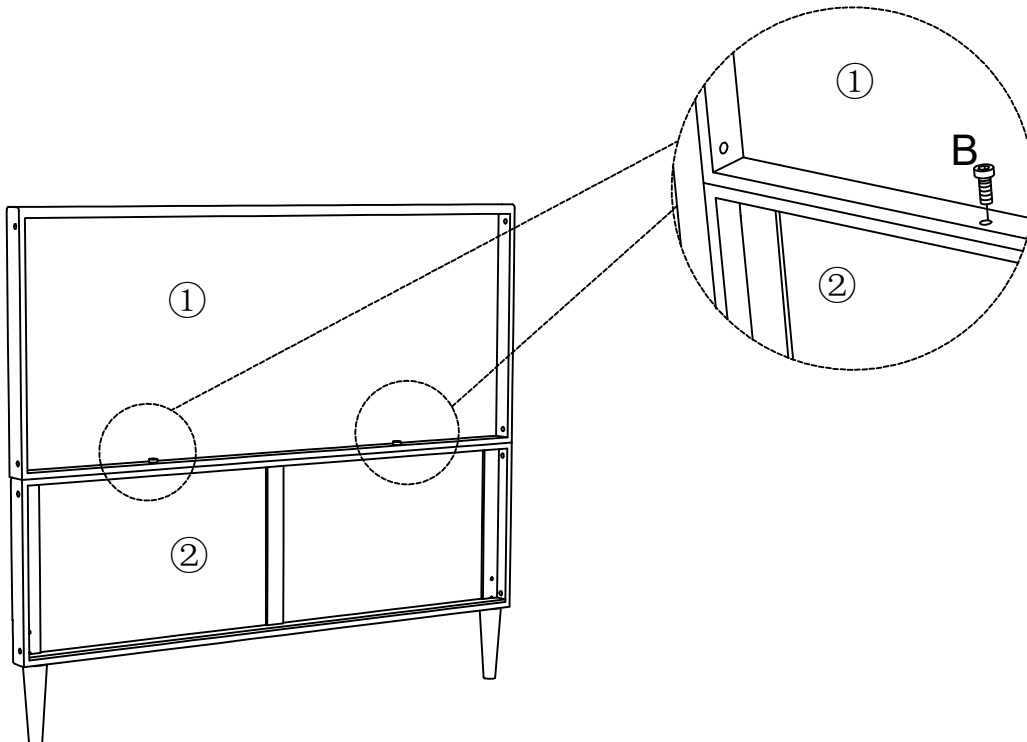


2

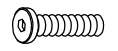
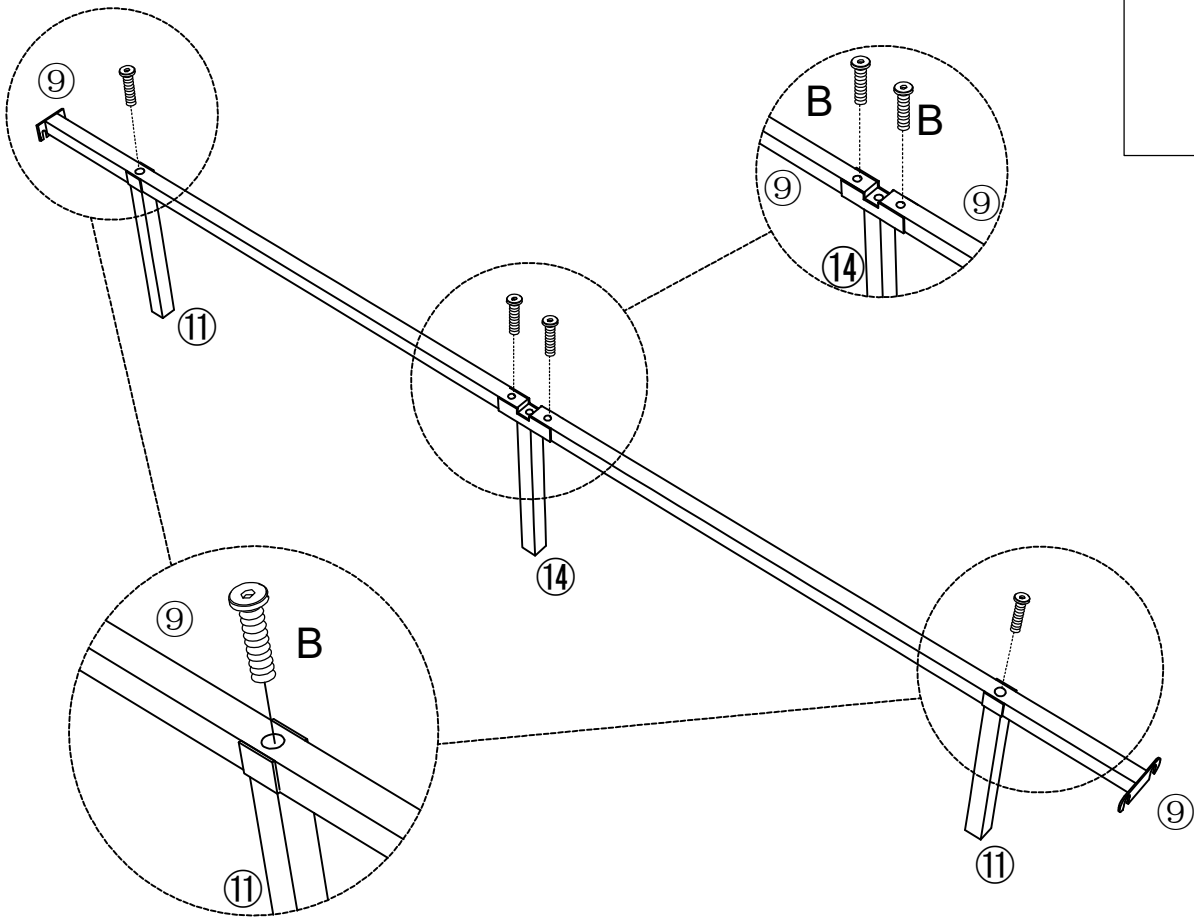


M8×35mm

ⓑ × 2pcs



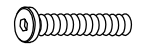
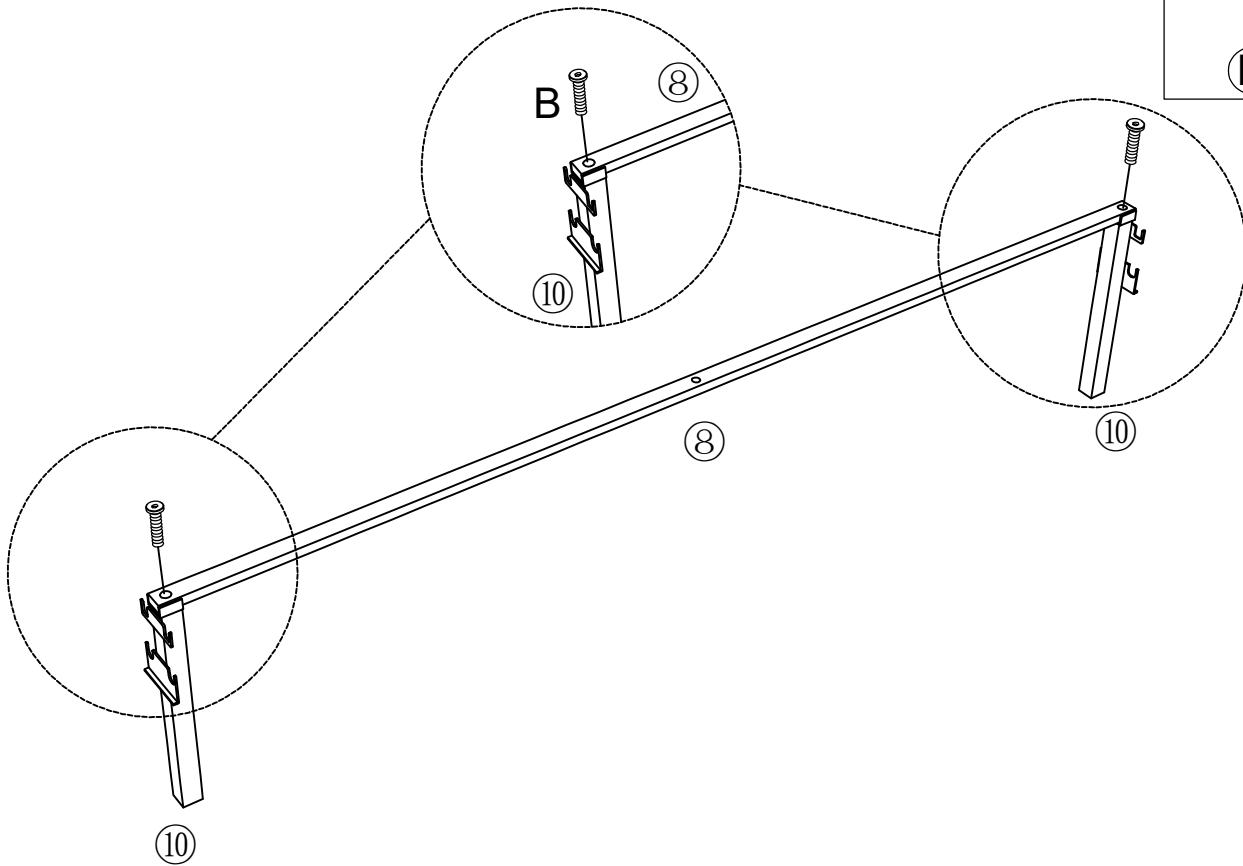
3



M8×35mm

B × 4 pcs

4



M8×35mm

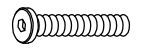
B × 2 pcs

5



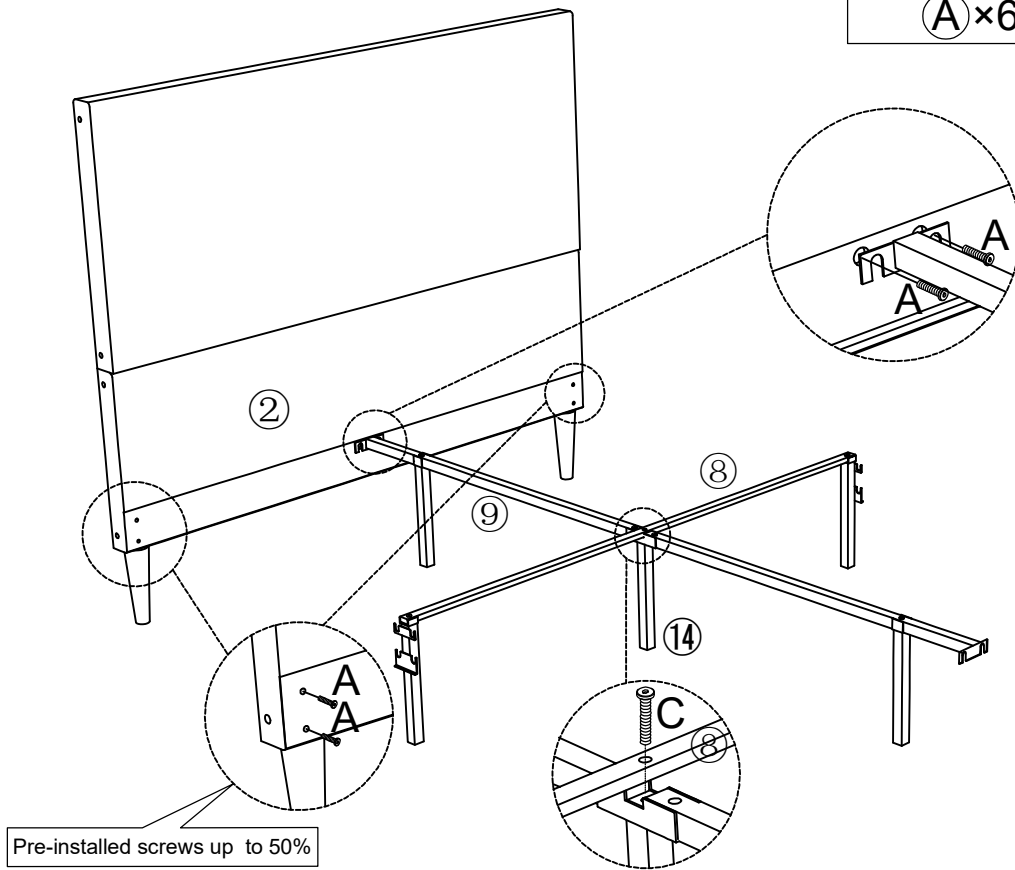
M8×18mm

A×6pcs

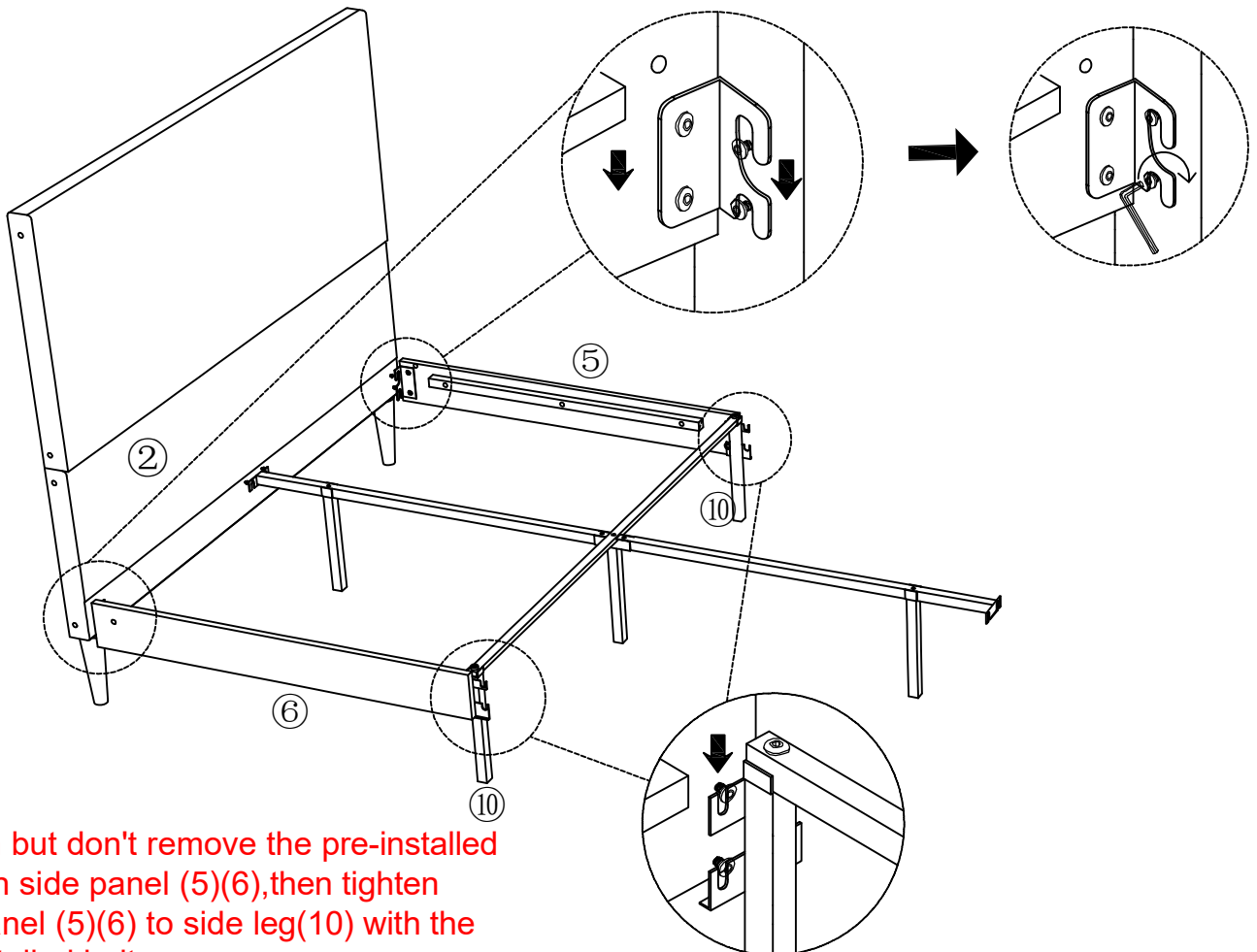


M8×45mm

C×1pcs



6



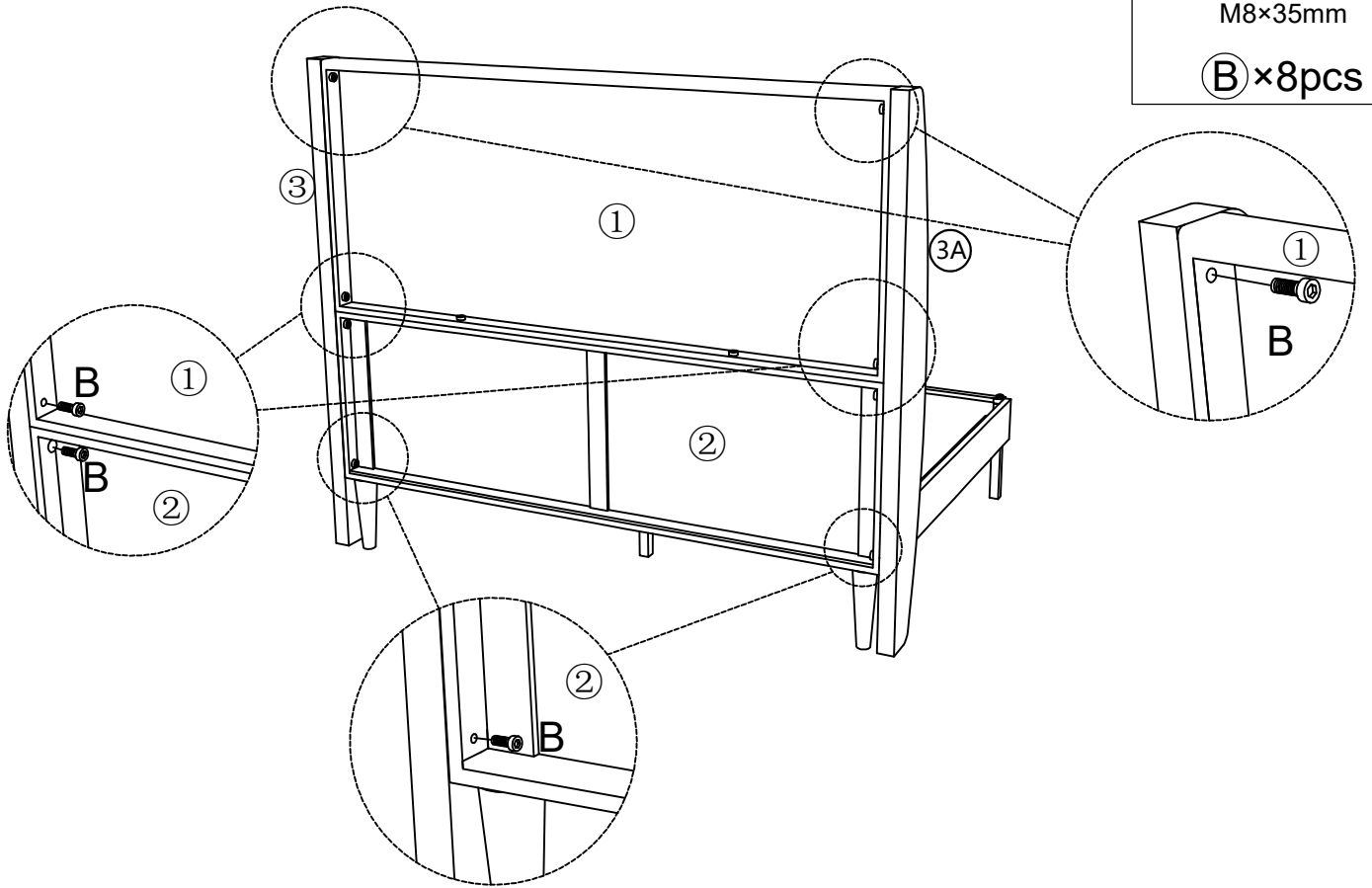
Loosen but don't remove the pre-installed bolts on side panel (5)(6), then tighten side panel (5)(6) to side leg (10) with the pre-installed bolts.

7



M8x35mm

B × 8 pcs

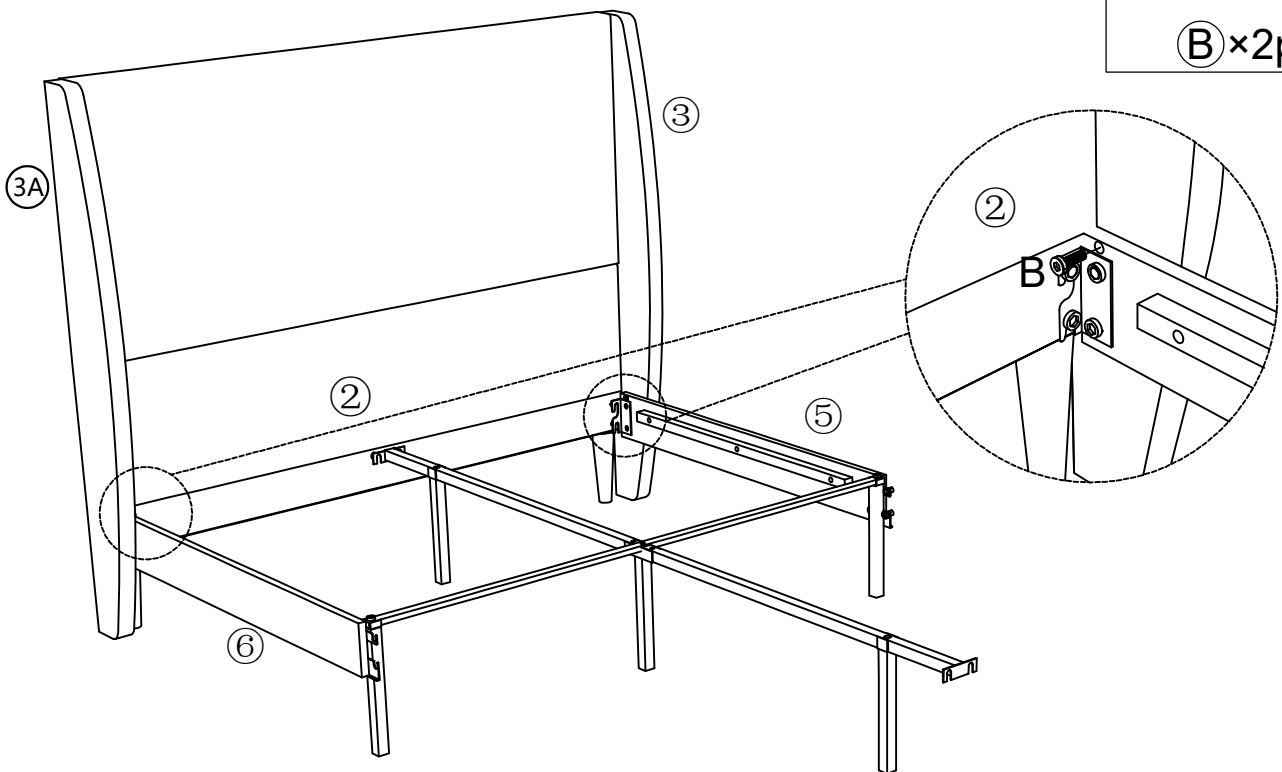


8

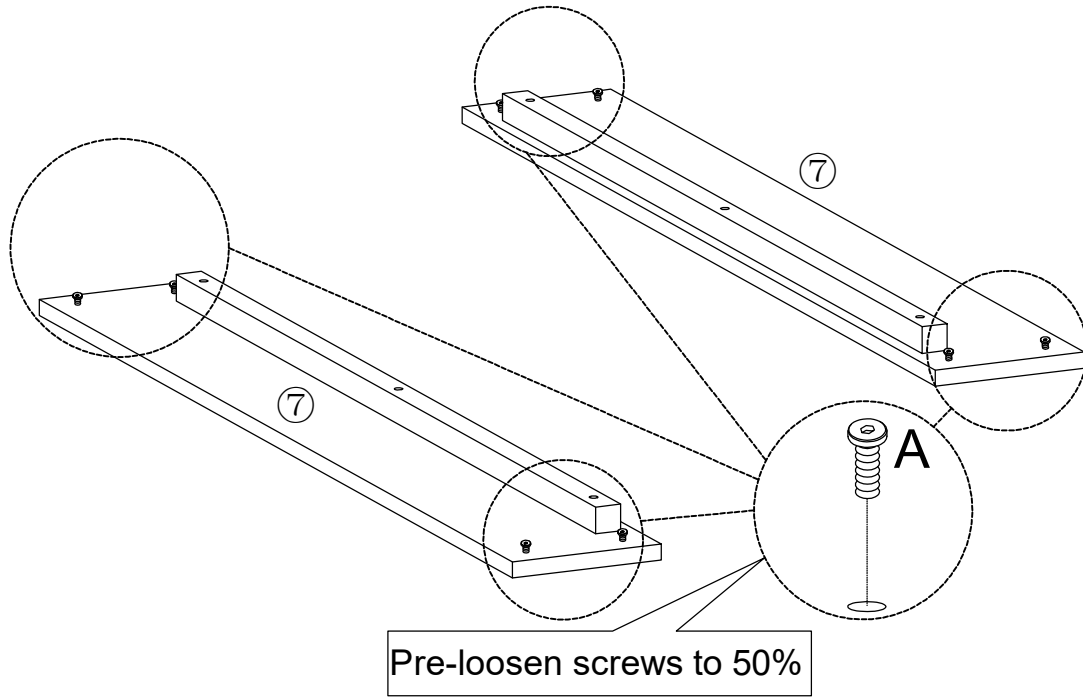


M8x35mm

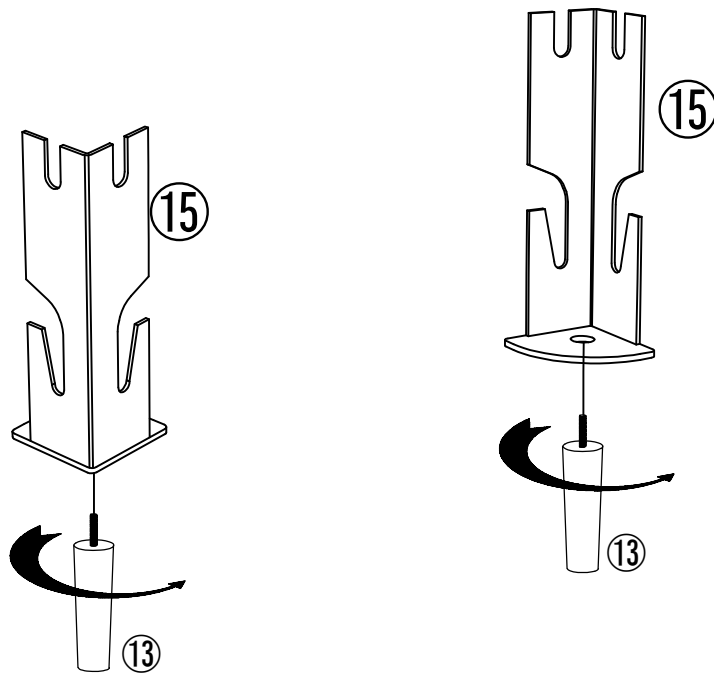
B × 2 pcs



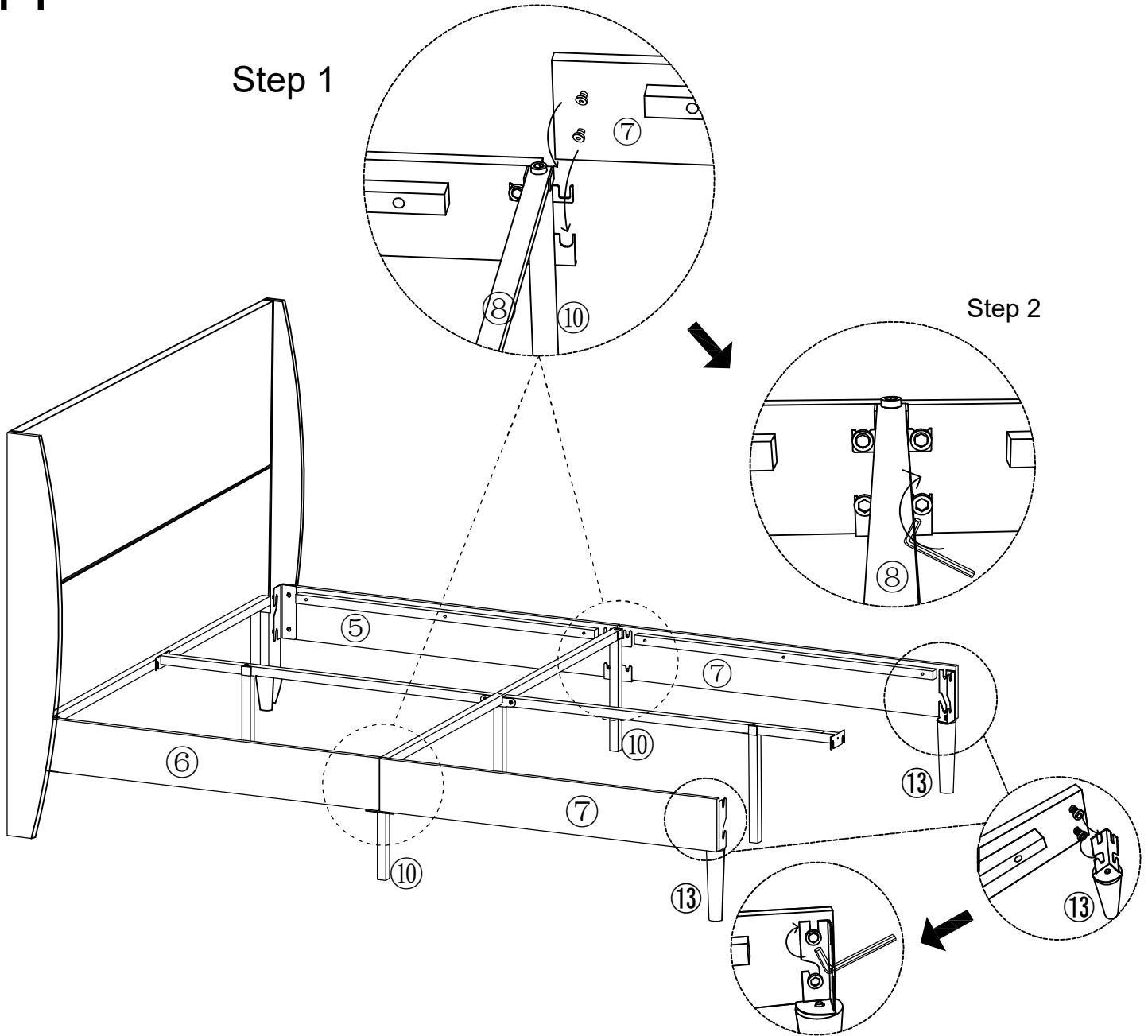
9



10



11



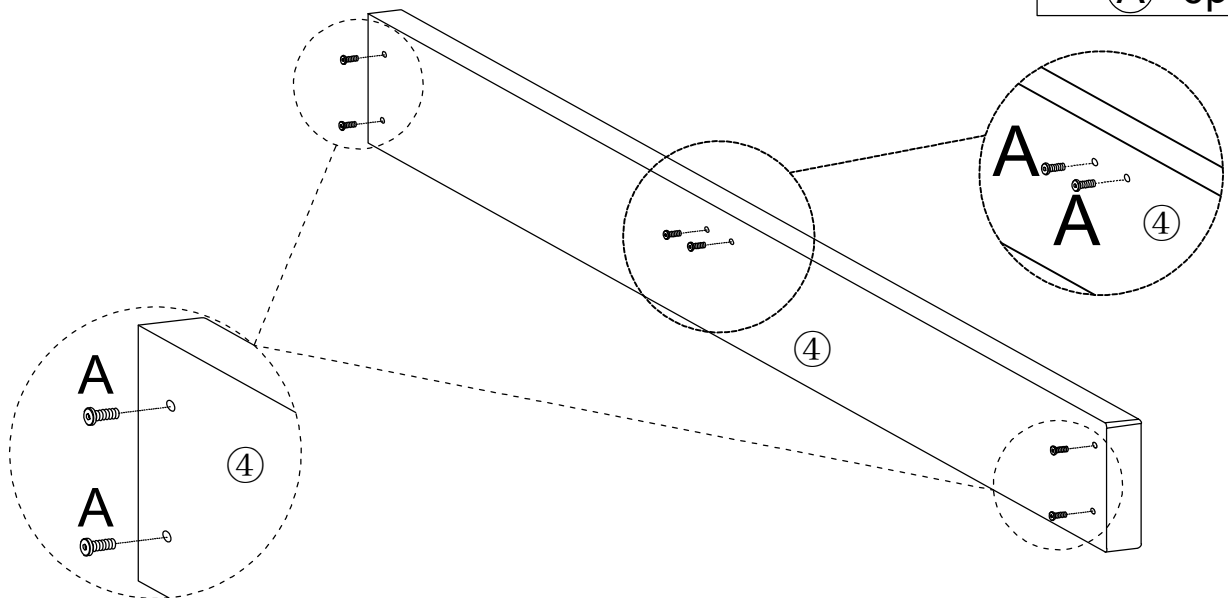
12

Please pre-install the screws to 50% first.



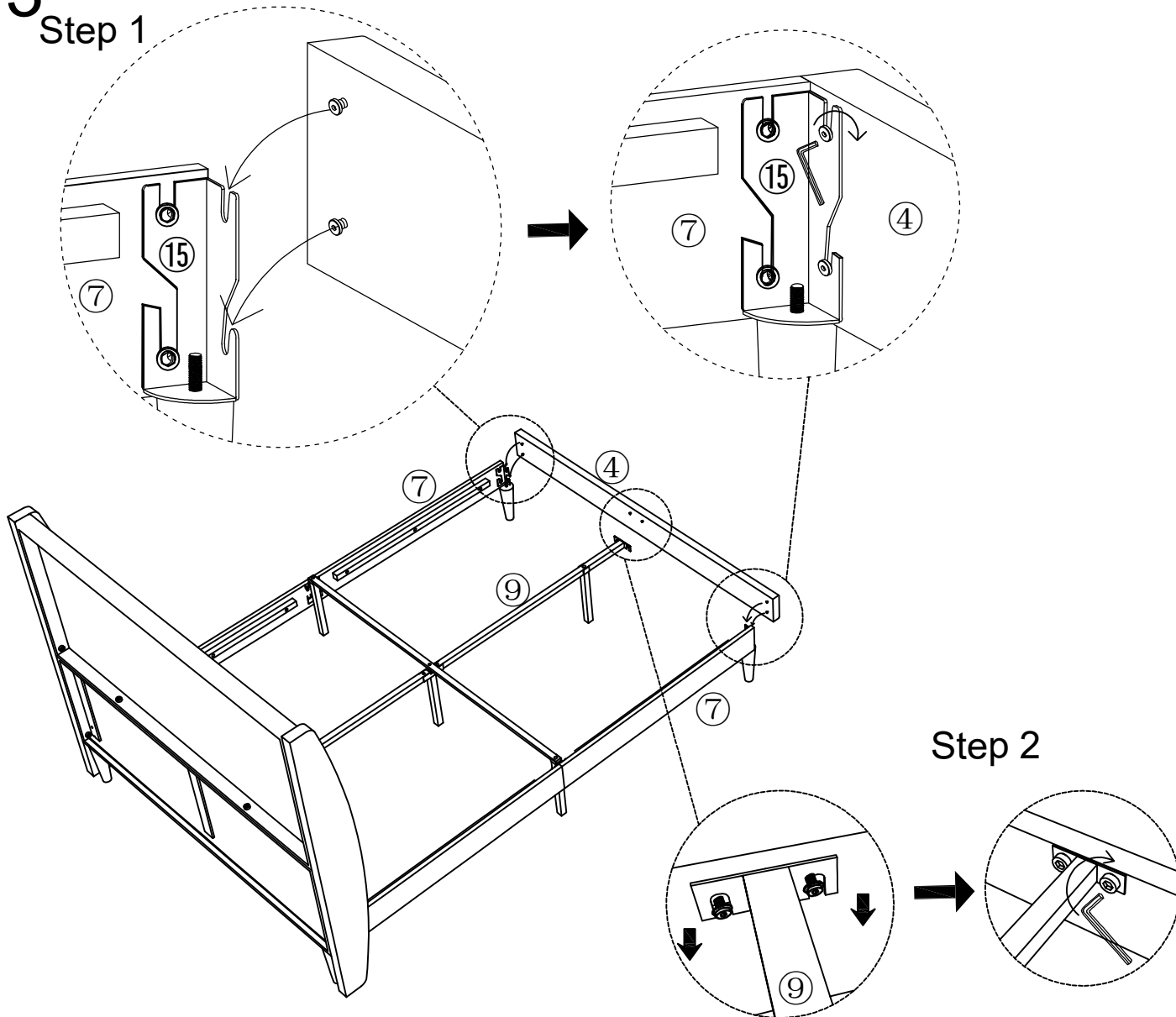
M8×18mm

A × 6pcs



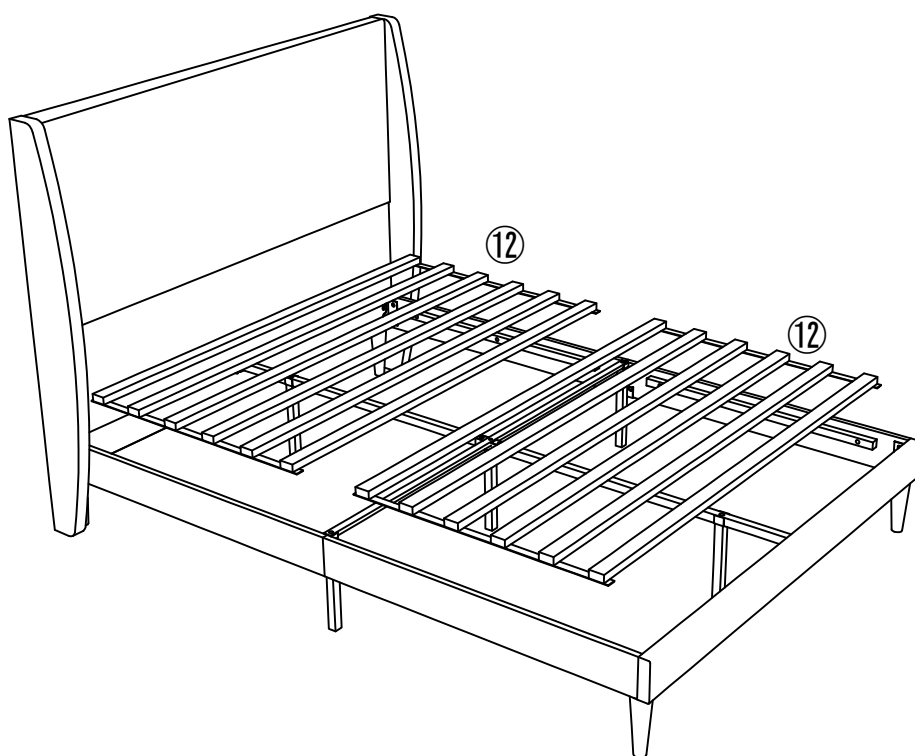
13

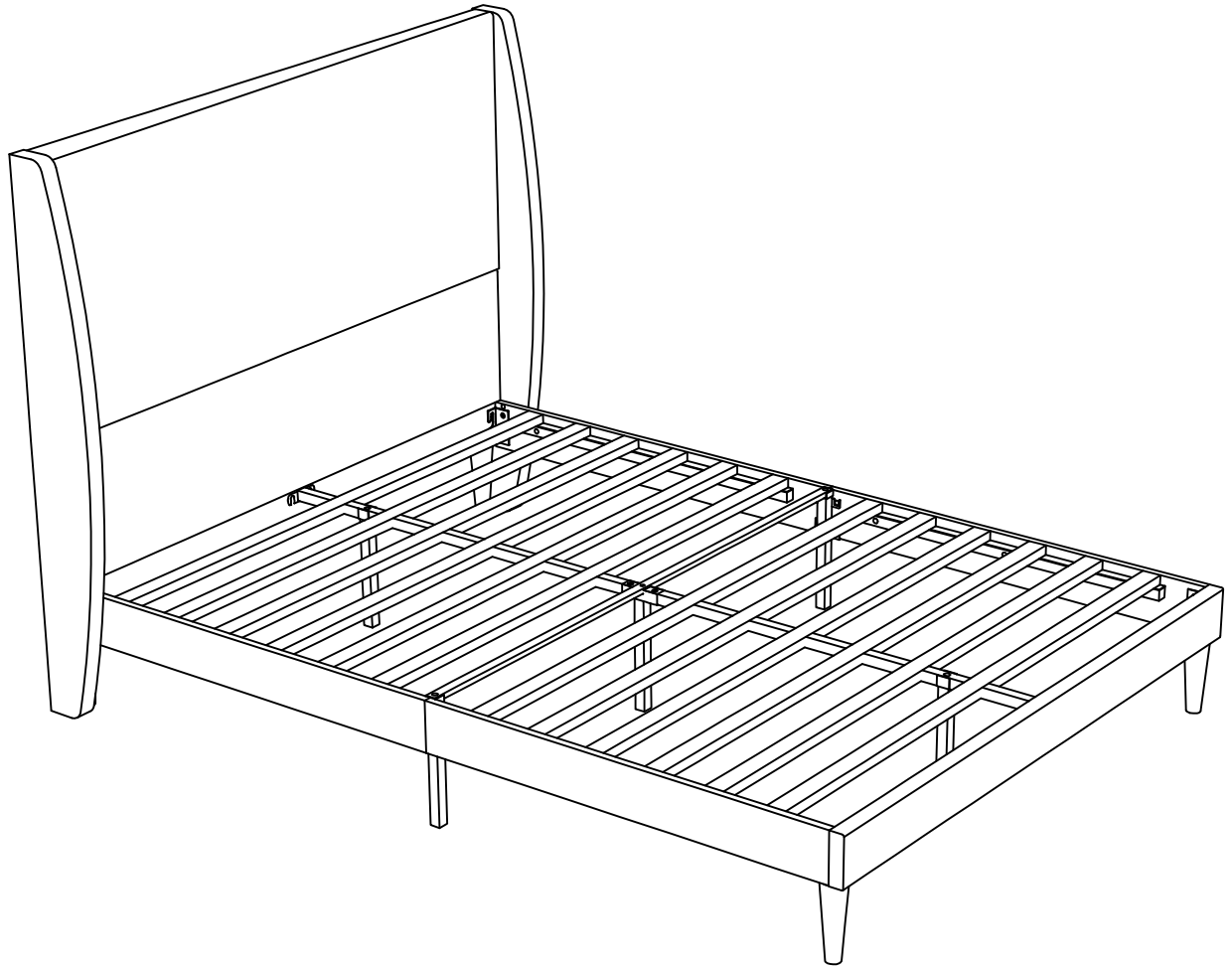
Step 1



Step 2

14





▲ WARNINGS:

For safety reasons and to prevent injuries:

This bed is not intended for use by children under 4 years old.

Prohibit jumping and horseplay on this bed.

Do not use risers under this bed.