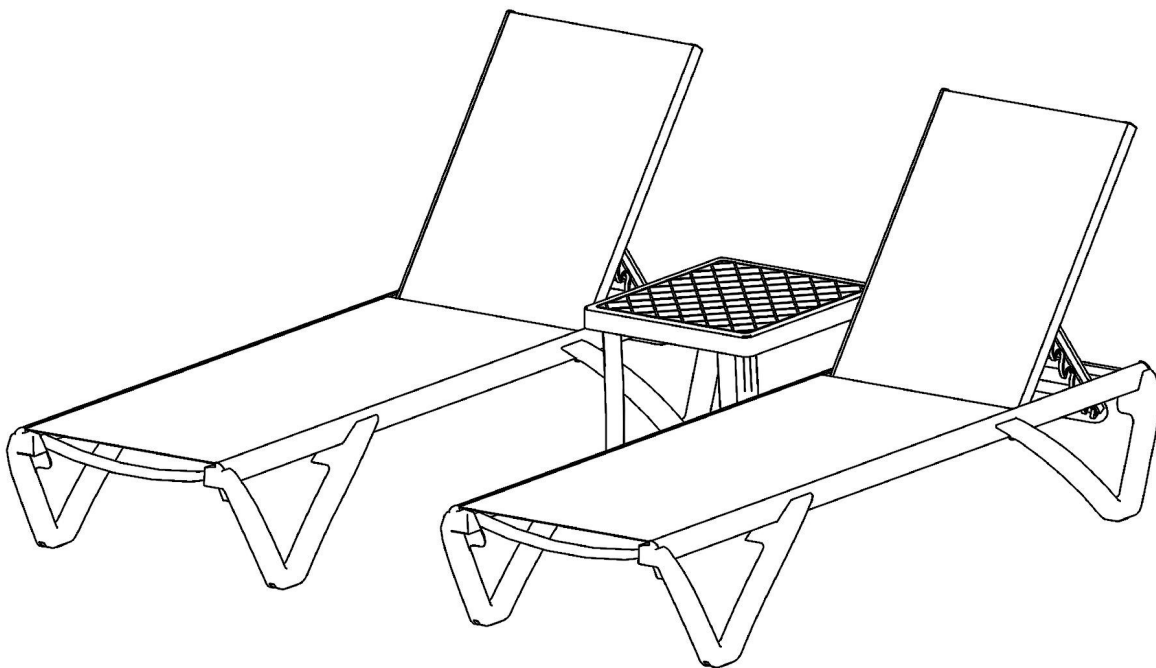
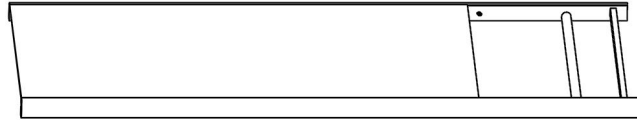


# PATIO LOUNGE CHAIR AND TABLE

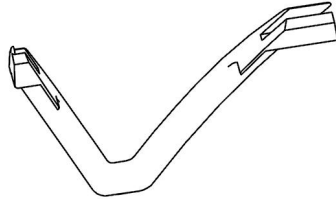
## **ASSEMBLY MANUAL**



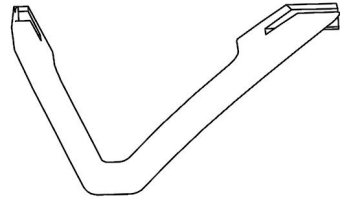
**A** 2X Main Seat Frame



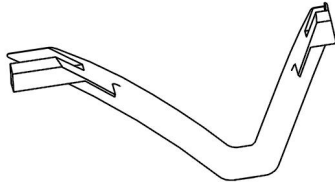
**B** 2X Leg



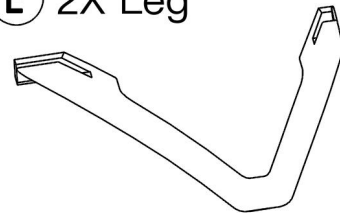
**C** 2X Leg



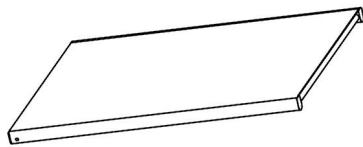
**D** 2X Leg



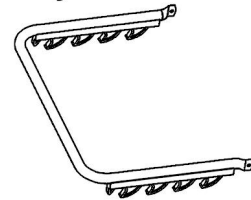
**E** 2X Leg



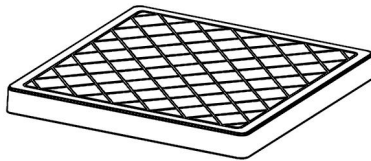
**F** 2X Back



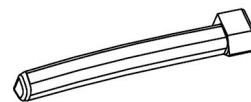
**G** 2X Adjustment Tube



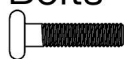
**H** 1X Table Top



**J** 4X Table Leg



**K** 24X Bolts



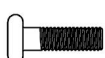
**M6X30**

**L** 4X Bolts



**M6X35**

**M** 4X Bolts

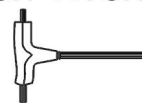


**M6X20**

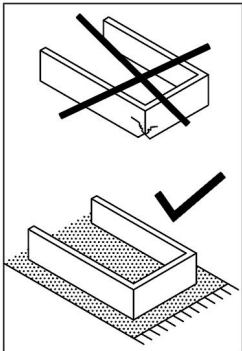
**N** 4X Plastic Cylinder



**P** 1X Allen Wrench

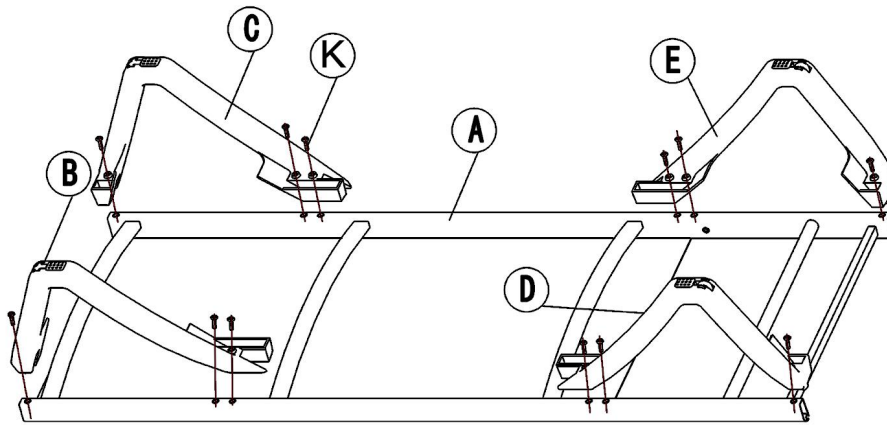


Please assemble the lounge chair on the carton or carpet to avoid scratch.

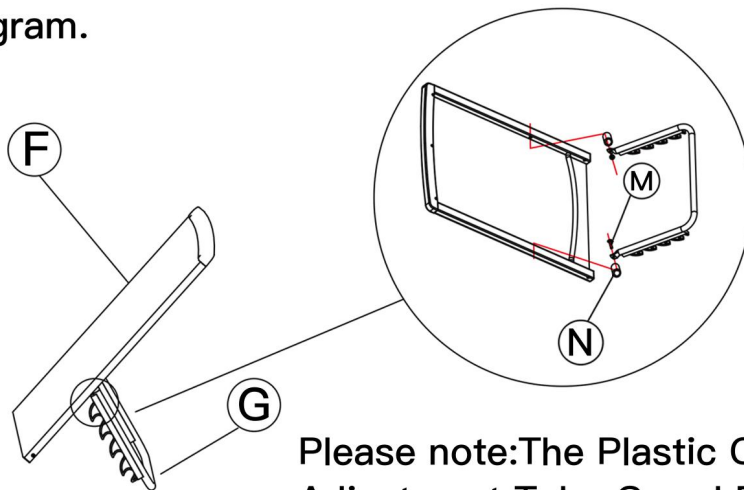


**! Warm Tip:** Please don't tighten screws before finish assemble.

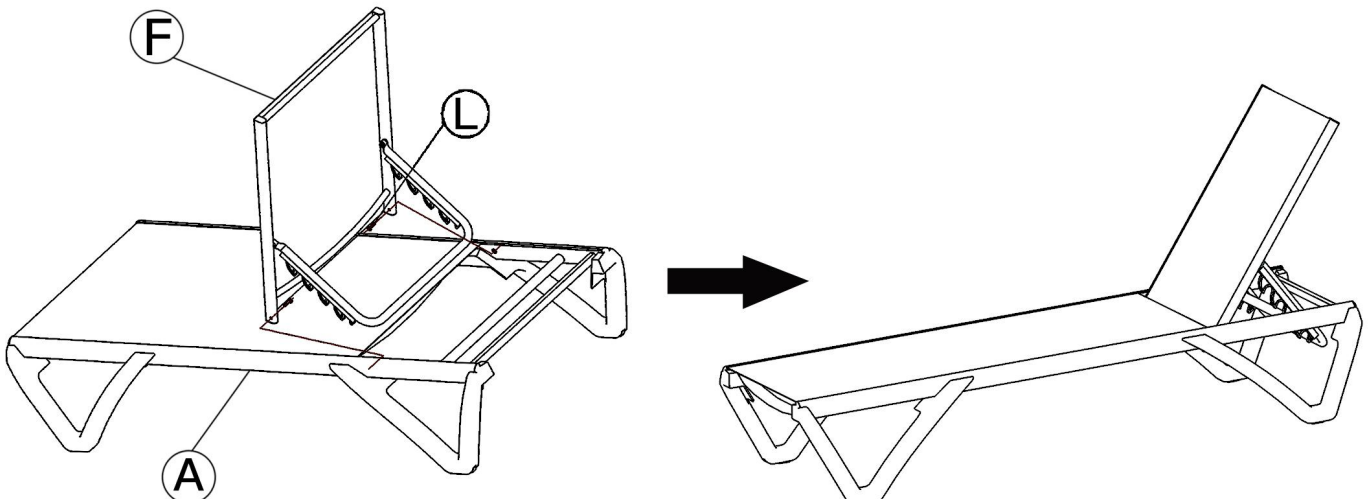
Step 1: Fix 4 legs (Parts B,C, D, E) to Main Seat Frame A separately using 12X Bolts K (M6x30) as shown in diagram.



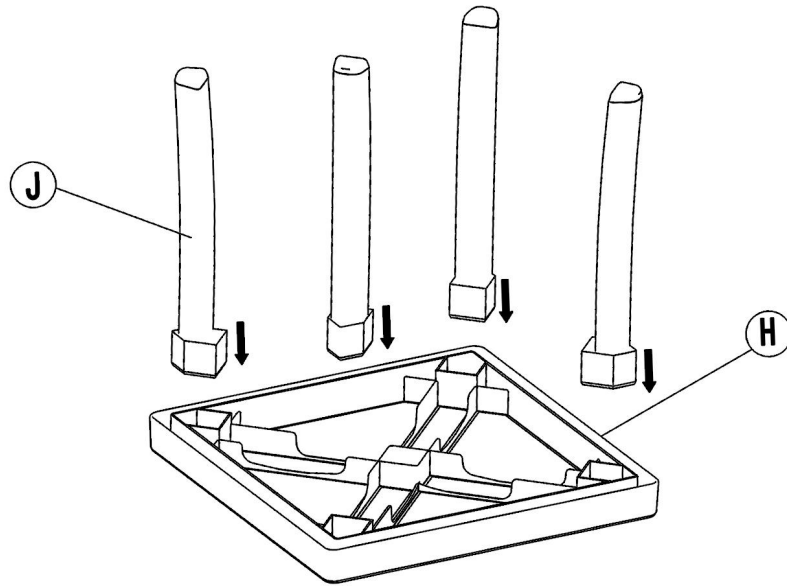
Step 2: Link Adjustment Tube G to Back F using Bolts M (M6x20) as shown in diagram.



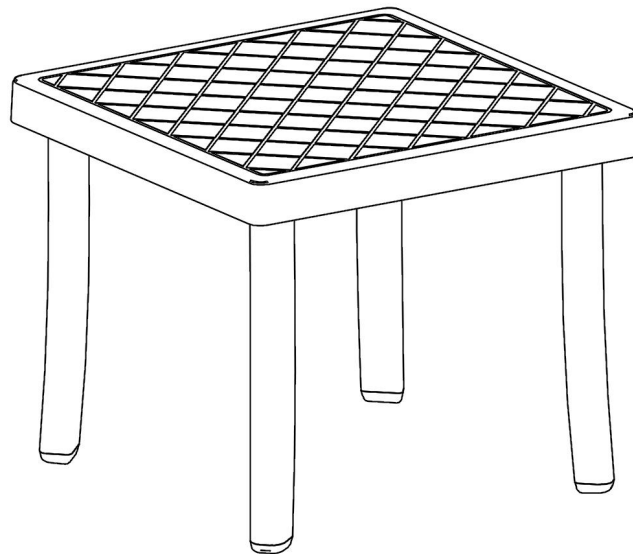
Step 3: Connect Back F to Main Seat Frame A using Bolts L (M6x35) as shown in diagram.



Step 4: Insert 4 Table legs (Part J) to the Table top (Part H) separately as shown in diagram.



Step 5: Set the chair straight.



## **Thanks for your purchase.**

At our outdoor living, we believe in our products.

That's why we provide a 12-month warranty and friendly, easy-to-reach after-sales service. So if you have any questions about our product and assembly, please feel free to contact us. We will be here for you.

### **Support:**

Please tell us your order ID when contact.

Attach photos of damaged part for instant reply.