

ASSEMBLY INSTRUCTIONS



END TABLE

REVISION 0 : 09/22/2017
REVISION 1 : 11/11/2022

ASSEMBLY INSTRUCTIONS

ASSEMBLY TIPS:

1. Remove hardware from box and sort by size.
2. Please check to see that all hardware and parts are present prior to start of assembly.
3. Please follow attached instructions in the same sequence as numbered to assure fast & easy assembly.



WARNING!





1. Don't attempt to repair or modify parts that are broken or defective. Please contact the store immediately.
2. This product is for home use only and not intended for commercial establishments.

ASSEMBLY TIME 40 MINUTES

PARTS IDENTIFICATION

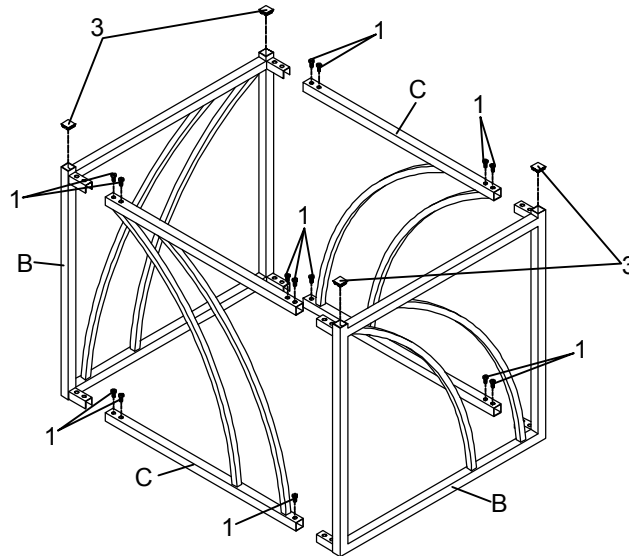
A	TOP GLASS		1PC
B	SIDE FRAME		2PCS
C	FRONT AND BACK FRAME		2PCS

HARDWARE IDENTIFICATION

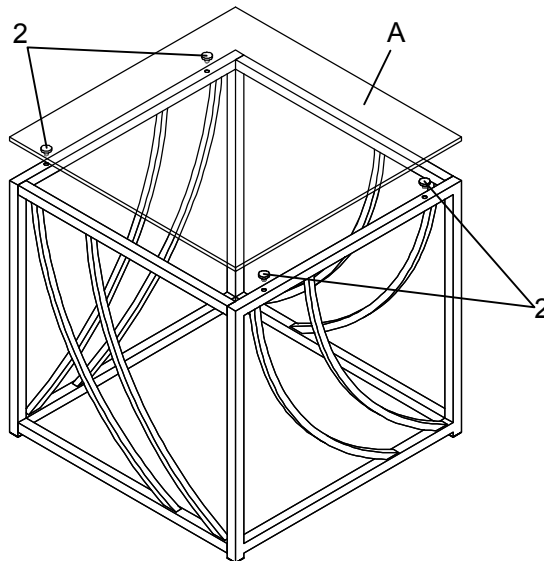
1	BOLT (1/4" x 12mm SR)		14PCS	3	CAP (20 x 20mm BLK)		4PCS
2	SUCTION CUP (8mm)		4PCS	4	ALLEN WRENCH (4mm)		1PC

ASSEMBLY INSTRUCTIONS

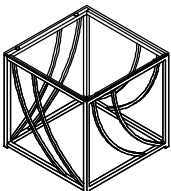
STEP 1 Do not tighten until each step is completed or instructed.



STEP 2



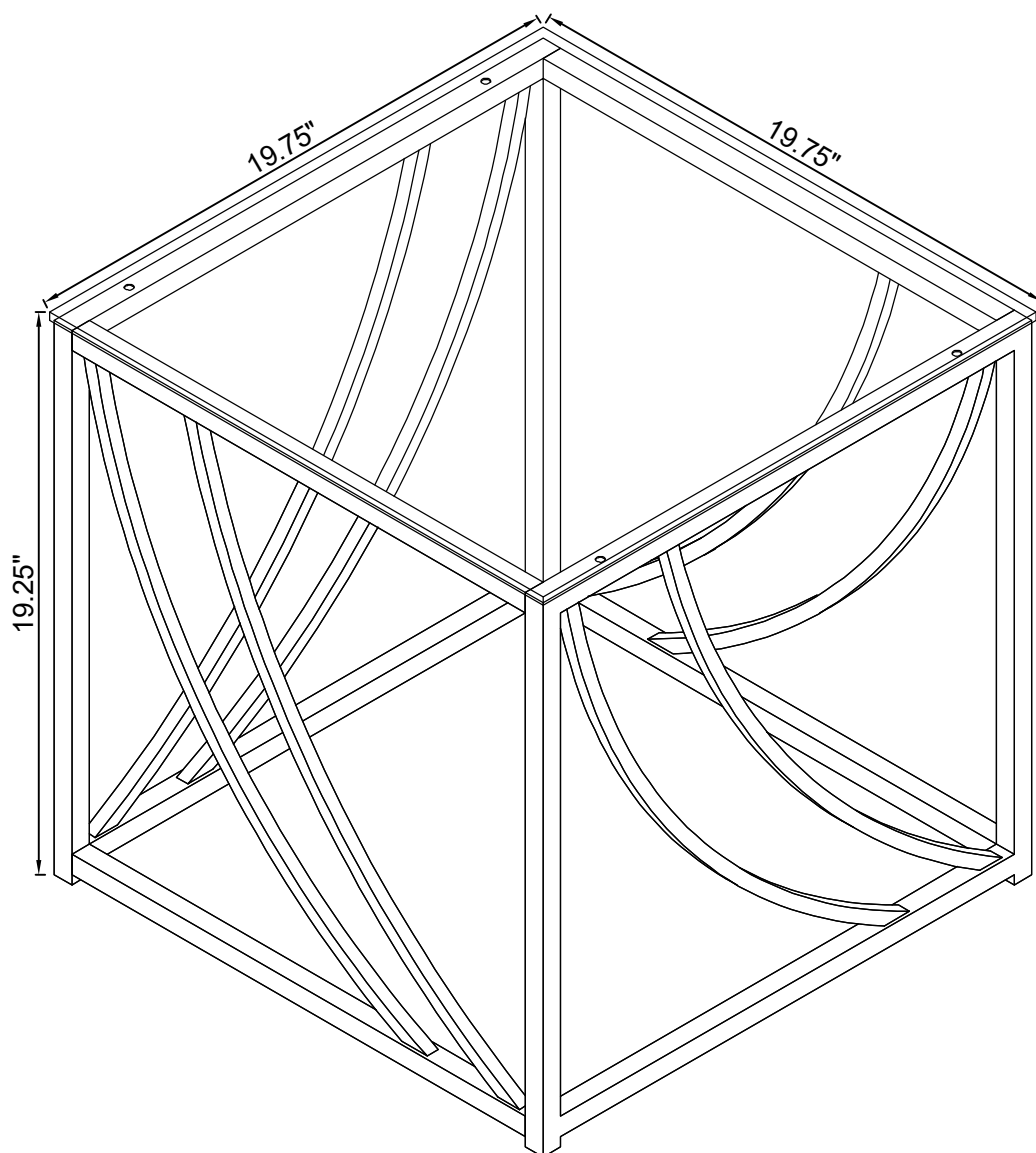
COMPLETE



ASSEMBLY INSTRUCTIONS

Product Size : 502 X 502 X 489 H (MM)

Product Size : 19 $\frac{3}{4}$ " X 19 $\frac{3}{4}$ " X 19 $\frac{1}{4}$ "



Note : Dimension tolerance $\pm 5\%$

ASSEMBLY INSTRUCTIONS



Fine Furniture for every stage of life

COFFEE TABLE

REVISION 0 : 09/22/2017
REVISION 1 : 11/11/2022

PAGE 1 OF 4

ASSEMBLY INSTRUCTIONS

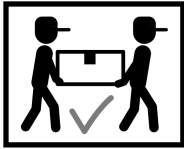
ASSEMBLY TIPS:

1. Remove hardware from box and sort by size.
2. Please check to see that all hardware and parts are present prior to start of assembly.
3. Please follow attached instructions in the same sequence as numbered to assure fast & easy assembly.



WARNING!

1. Don't attempt to repair or modify parts that are broken or defective. Please contact the store immediately.
2. This product is for home use only and not intended for commercial establishments.



ASSEMBLY TIME 40 MINUTES

PARTS IDENTIFICATION

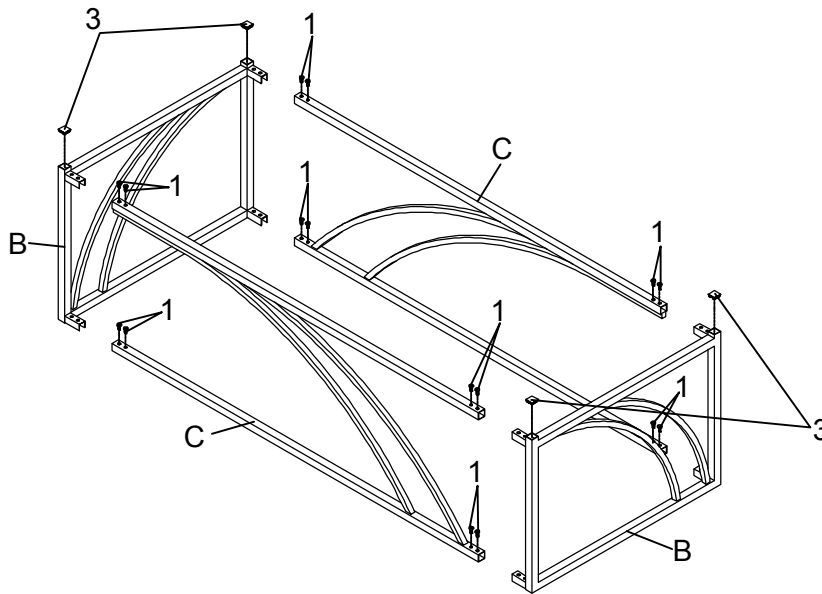
A	TOP GLASS		1PC
B	SIDE FRAME		2PCS
C	FRONT AND BACK FRAME		2PCS

HARDWARE IDENTIFICATION

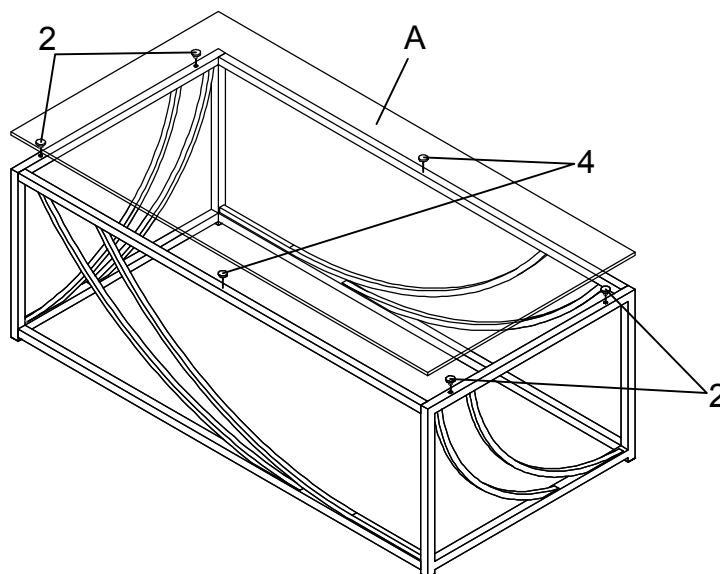
1	BOLT (1/4" x 12mm SR)		16PCS	4	SMALL SUCTION CUP (ϕ 12mm)		2PCS
2	SUCTION CUP (8mm)		4PCS	5	ALLEN WRENCH (4mm)		1PC
3	CAP (20 x 20mm BLK)		4PCS				

ASSEMBLY INSTRUCTIONS

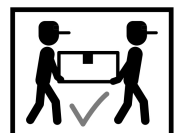
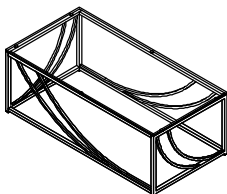
STEP 1 Do not tighten until each step is completed or instructed.



STEP 2

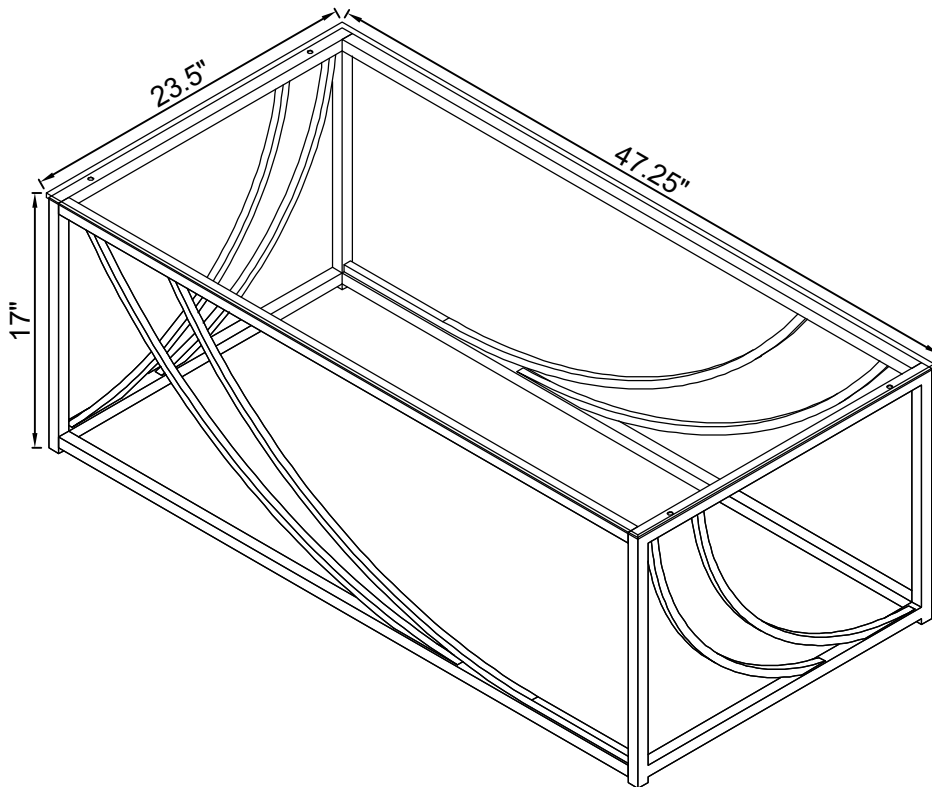


COMPLETE



ASSEMBLY INSTRUCTIONS

Product Size : 1200 X 600 X 431 H (MM)
Product Size : 47 $\frac{1}{4}$" X 23 $\frac{1}{2}$" X 17"



Note : Dimension tolerance $\pm 5\%$