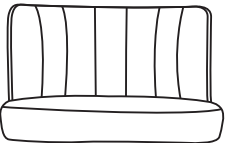



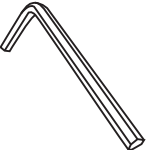
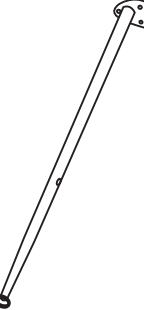
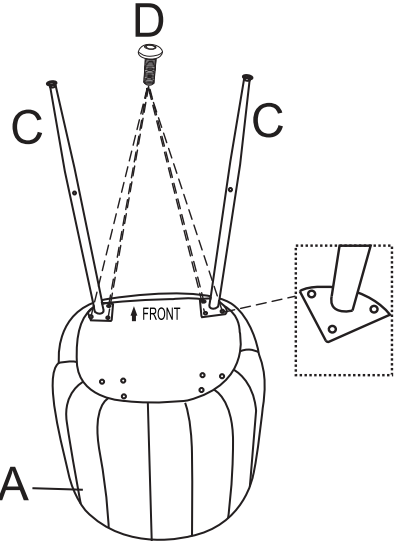



ASSEMBLY INSTRUCTIONS

Ax1	Dx12
	 M6*25mm
	Ex4
Bx1	 M6*25mm
	Gx1
	
Cx4	
	

1

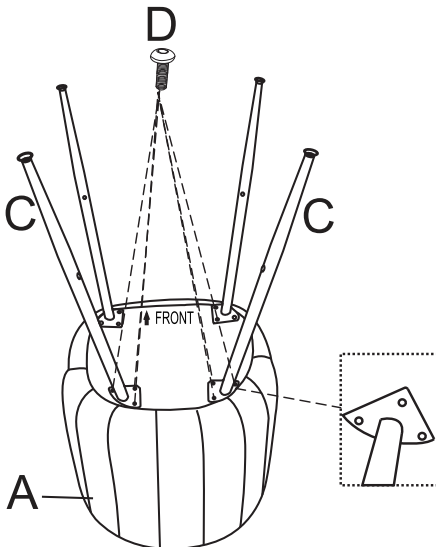


Dx6




Twist Screw (D) to connect (A) and (C).
(Don't tighten the screws entirely)

2

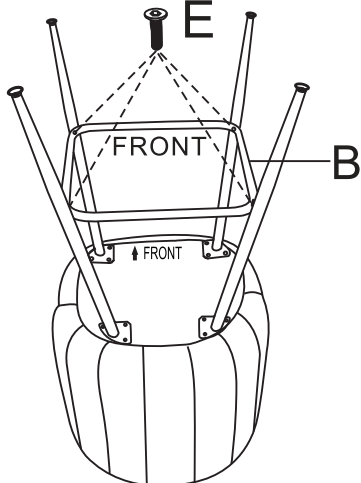


Dx6




Twist Screw (D) to connect (A) and (C).
(Don't tighten the screws entirely)

3

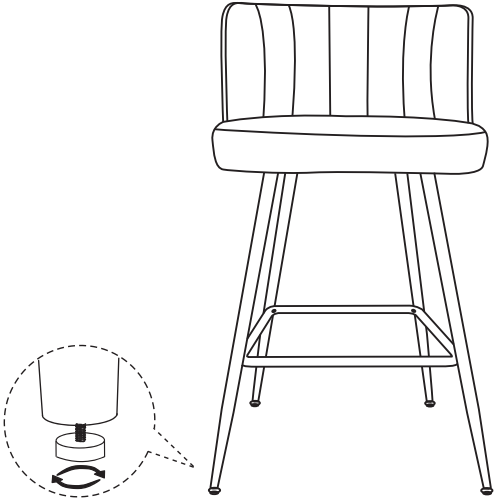


Ex4



Twist Screw (E) to connect (B) with (C),
then tighten all the previous screws.

4



If you feel that the chair is leaning to one side due to uneven ground, rotate the foot pads to adjust it.

If you need any help during assembly, please contact us.
Sharing a video and a brief description of where you're stuck will help us assist you better.