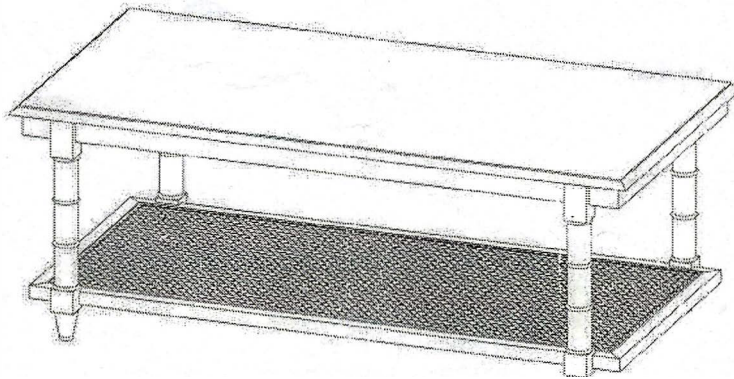










Assembly Instructions

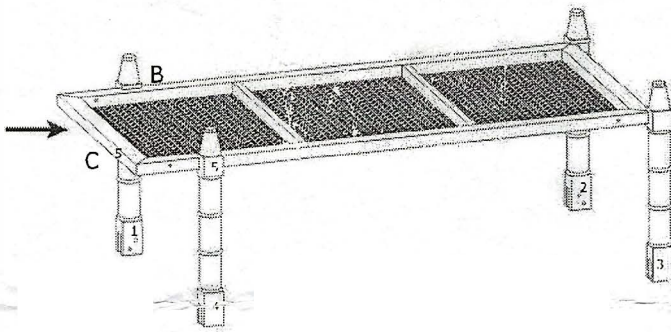


NO.	PART	DESCRIPTION	QTY	NO.	PARTS	DESCRIPTION	Q'TY
A		Top	1PC	D		Allen Head Bolt Ø6x60	4PCS
				E		Allen Head Bolt Ø6x30	8PCS
B		Leg	4PC	F		Spring Washer Ø6	12PCS
				G		Flat Washer Ø16*T1.0	12PCS
C		Base	1PC	H		Allen Head Wrench 4MM	1PC

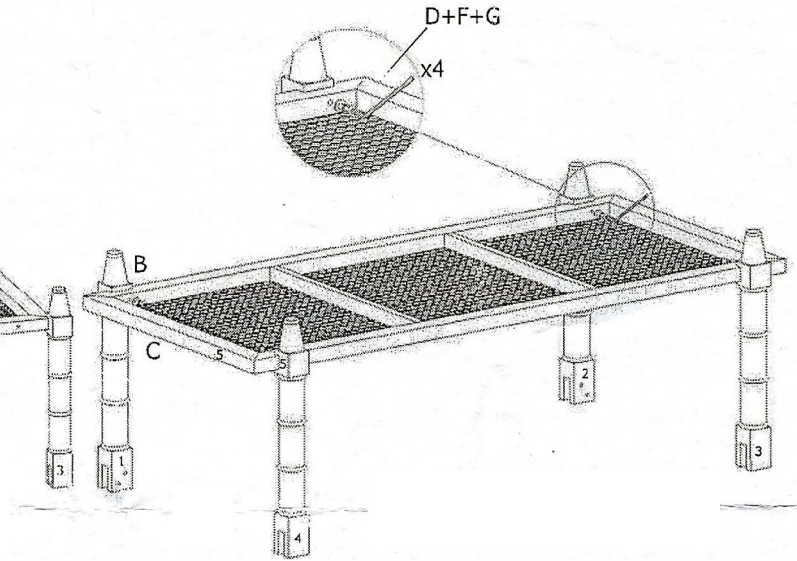
Assembly Instructions

PLEASE NOTE:- DO NOT TIGHTEN SCREW COMPLETELY UNTIL PRODUCT IS FULLY ASSEMBLED
IMAGES ARE FOR REPRESENTATION PURPOSE ONLY

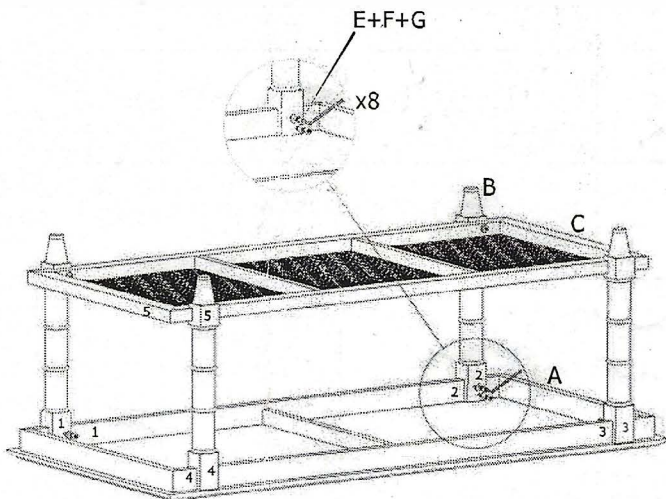
STEP 1



STEP 2



STEP 3



STEP 4

