

# TABLE ASSEMBLY INSTRUCTIONS



## ADVICE BEFORE INSTALLATION

- Before you start please read carefully the following instructions.
- Use this product only for its own functions and features of origin, never use it as a ladder.

## PART LIST

A.Short legs (2PCS)

B.Long legs(2PCS)

C.Glass(1PC)

D.Washer (8PCS)

E.Screw 6x45mm(8PCS)

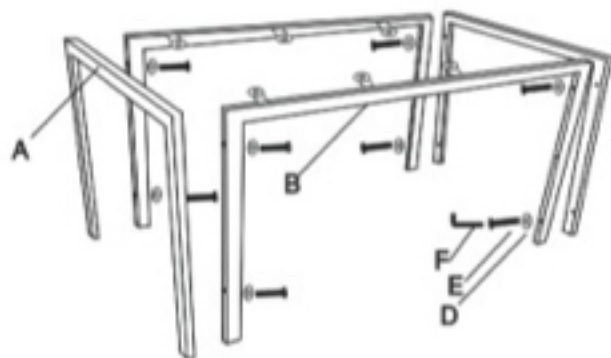
F.Allen Key(1PC)

G.Sucker(6PCS)



## INSTALLATION STEP

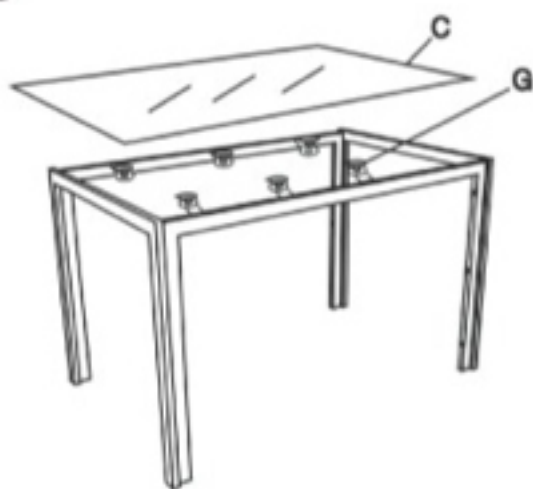
STEP 1



STEP 2



STEP 3



STEP 4

