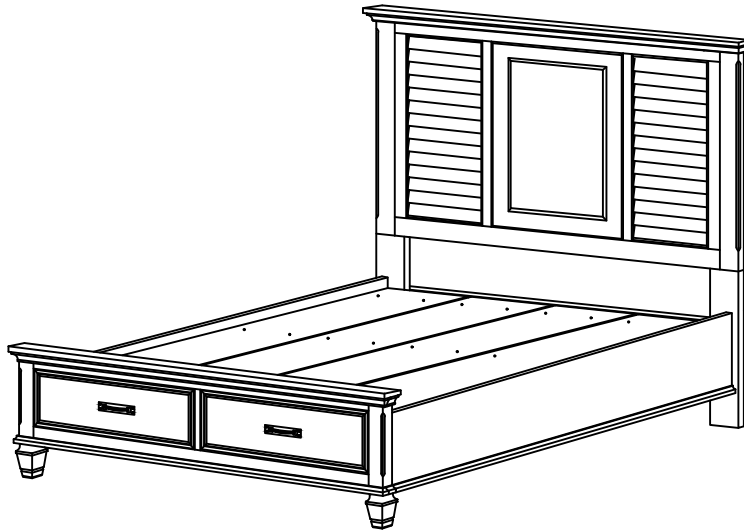


ASSEMBLY INSTRUCTIONS
COASTER FINE FURNITURE



Fine Furniture for every stage of life

205730Q (B1-B3)
Queen Storage Bed

ITEM: 205730Q (B1-B3)



ASSEMBLY INSTRUCTIONS

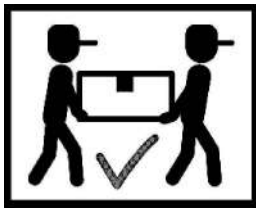
ASSEMBLY TIPS:

1. Remove hardware from box and sort by size.
2. Please check to see that all hardware and parts are present prior to start of assembly.
3. Please follow attached instructions in the same sequence as numbered to assure fast & easy assembly.



WARNING!

1. Don't attempt to repair or modify parts that are broken or defective. Please contact the store immediately.
2. This product is for home use only and not intended for commercial establishments.



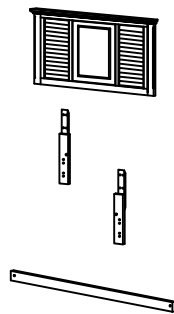
ASSEMBLY TIME

30 MINUTES

PARTS IDENTIFICATION

B1 (BOX 1)

- A HEADBOARD PANEL
- B LEFT HEADBOARD LEG
- C RIGHT HEADBOARD LEG
- D HEADBOARD BOTTOM RAIL



1PC

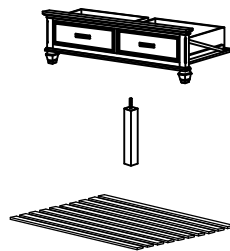
1PC

1PC

1PC

B2 (BOX 2)

- E STORAGE FOOTBOARD
- F DRAWER SUPPORT LEG WITH LEVELER
- G ROLL SLAT (10PCS)



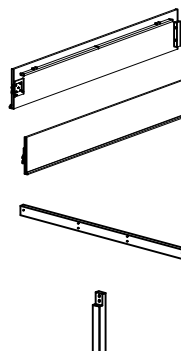
1PC

2PCS

1SET

B3 (BOX 3)

- H LEFT BED RAIL
- I RIGHT BED RAIL
- J CENTER RAIL
- K CENTER RAIL SUPPORT WITH LEVELER



1PC

1PC

1PC

2PCS

ITEM: 205730Q (B1-B3)



ASSEMBLY INSTRUCTIONS

ASSEMBLY TIPS:

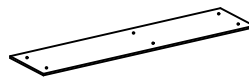
1. Remove hardware from box and sort by size.
2. Please check to see that all hardware and parts are present prior to start of assembly.
3. Please follow attached instructions in the same sequence as numbered to assure fast & easy assembly.



WARNING!

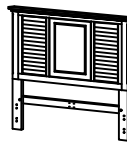
1. Don't attempt to repair or modify parts that are broken or defective. Please contact the store immediately.
2. This product is for home use only and not intended for commercial establishments.

L CONCEAL PANEL



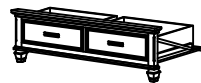
4PCS

HB 205730Q (B1)
FROM BOX 1
HEADBOARD COMPLETE



1PC

FB 205730Q (B2)
FROM BOX 2
STORAGE FOOTBOARD



1PC

ITEM:205730Q (B1-B3)



ASSEMBLY INSTRUCTIONS

ASSEMBLY TIPS:

1. Remove hardware from box and sort by size.
2. Please check to see that all hardware and parts are present prior to start of assembly.
3. Please follow attached instructions in the same sequence as numbered to assure fast & easy assembly.



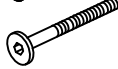




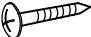








WARNING!

1. Don't attempt to repair or modify parts that are broken or defective. Please contact the store immediately.
2. This product is for home use only and not intended for commercial establishments.

HARDWARE IDENTIFICATION

Z-B3 (BOX 3) - HARDWARE PACK IS LOCATED IN 205730Q (B3)

1	ALLEN WRENCH (M4 x 110mm - BLK)		1PC
2	SHORT BOLT (M6 x 50mm - BLK)		16PCS
3	LONG BOLT (M6 x 70mm - BLK)		4PCS
4	LOCK WASHER (5/16" - BLK)		18PCS
5	FLAT WASHER (5/16" x 18 x 1.2 - BLK)		18PCS
6	WOOD DOWEL (M8 x 30mm)		4PCS
7	SHORT PAN HEAD SCREW (M4 x 12mm - BLK)		24PCS
8	LONG PAN HEAD SCREW (M4 x 16mm - RBW)		6PCS
9	SHORT FLAT HEAD SCREW (M4 x 20mm - BLK)		8PCS
10	LONG FLAT HEAD SCREW (#8 x 1 1/8" - BLK)		20PCS
11	L BRACKET (BKT-4HC-01(2.0mm) - RBW)		2PCS
12	HEX NUT (M6 - RBW)		2PCS
13	U BRACKET (26 x 63 x 70mm - RBW)		2PCS
14	WRENCH (2 x 24.5 x 85 - RBW)		1PC

NOTE:

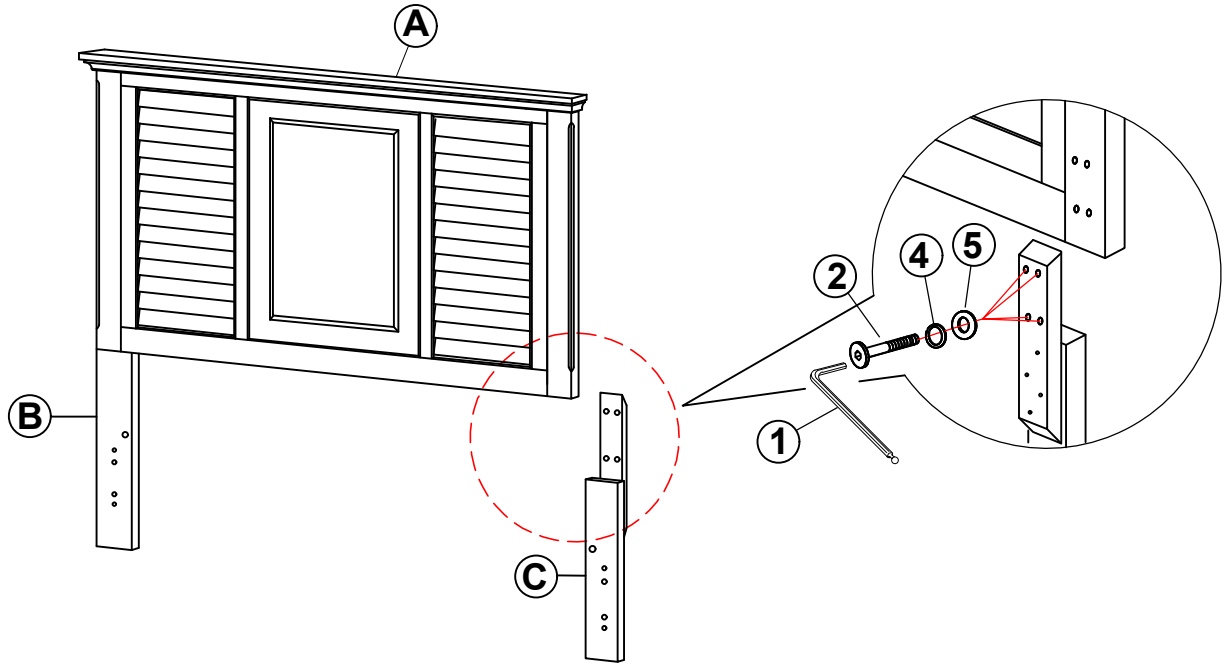
Phillips head screw driver is required in the assembly process; however, manufacturer does not provide this item.

ITEM: 205730Q (B1-B3)

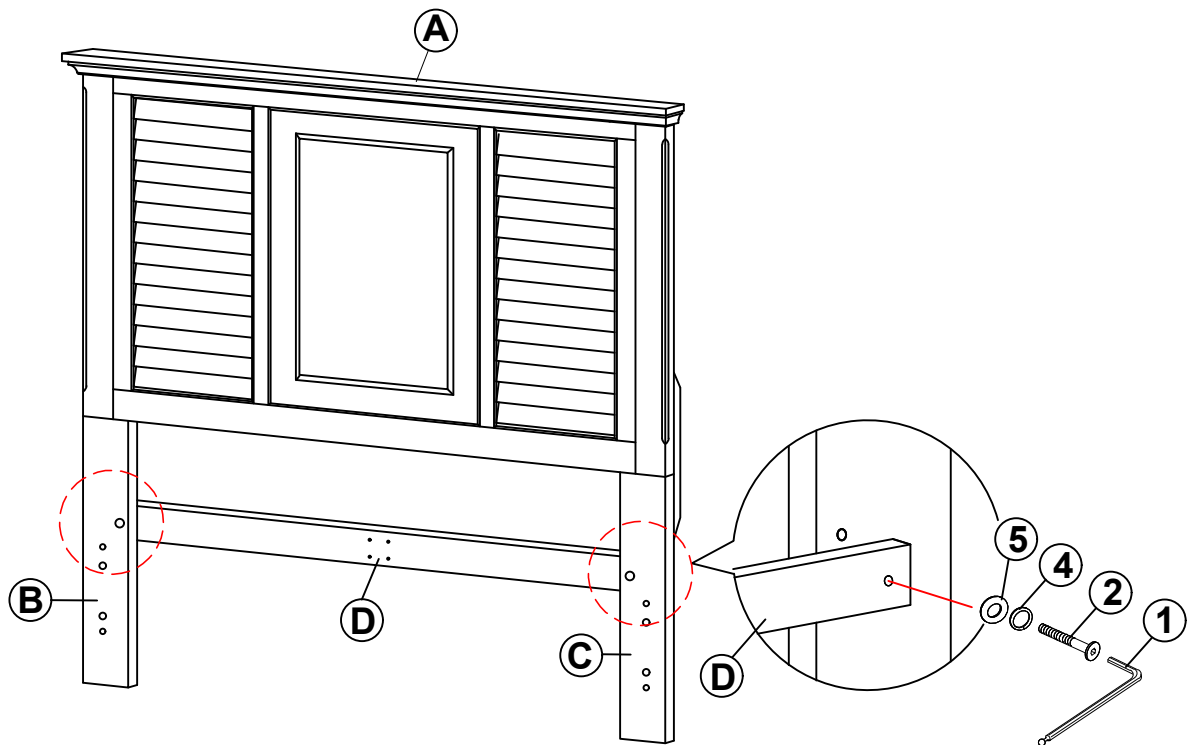


ASSEMBLY INSTRUCTIONS

STEP 1



STEP 2

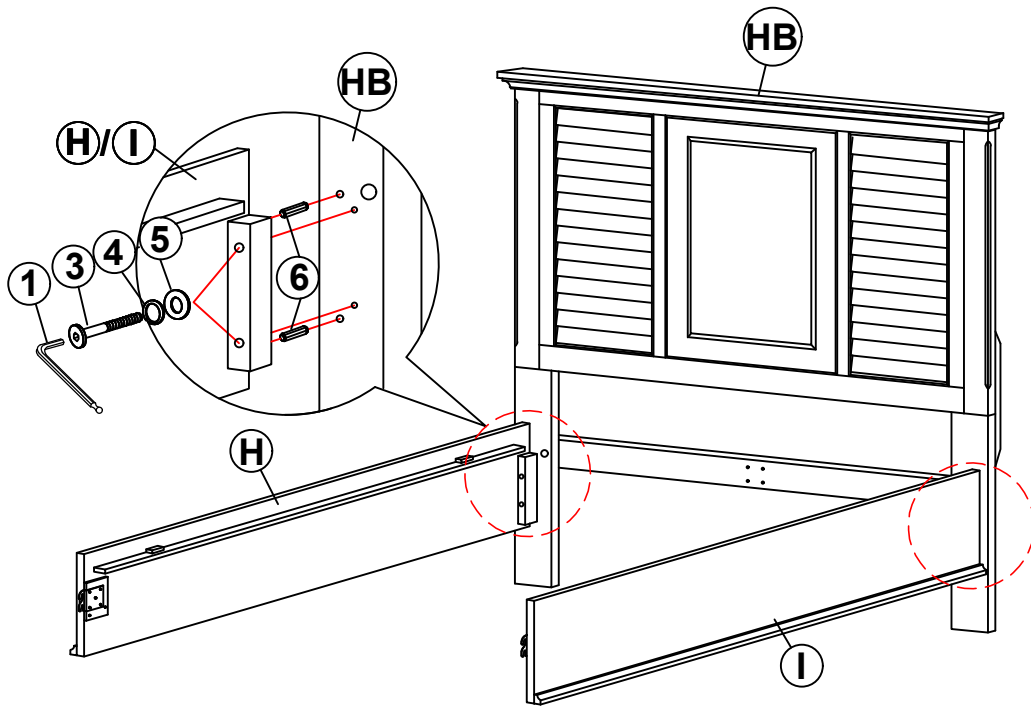


ITEM: 205730Q (B1-B3)

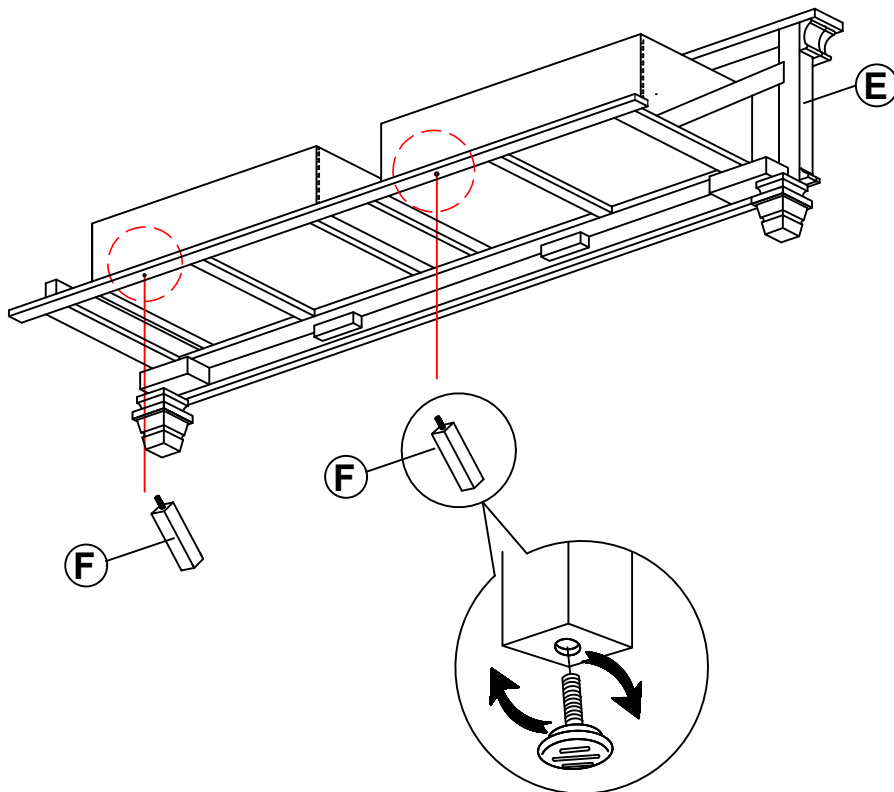


ASSEMBLY INSTRUCTIONS

STEP 3



STEP 4

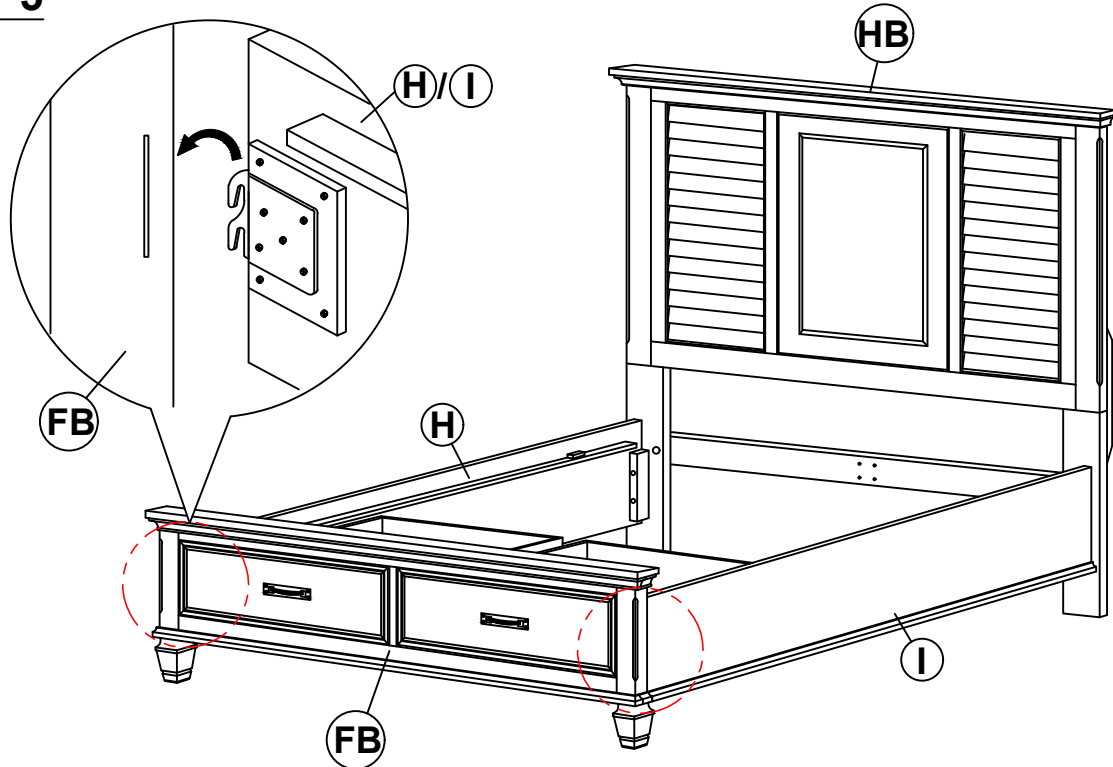


ITEM: 205730Q (B1-B3)

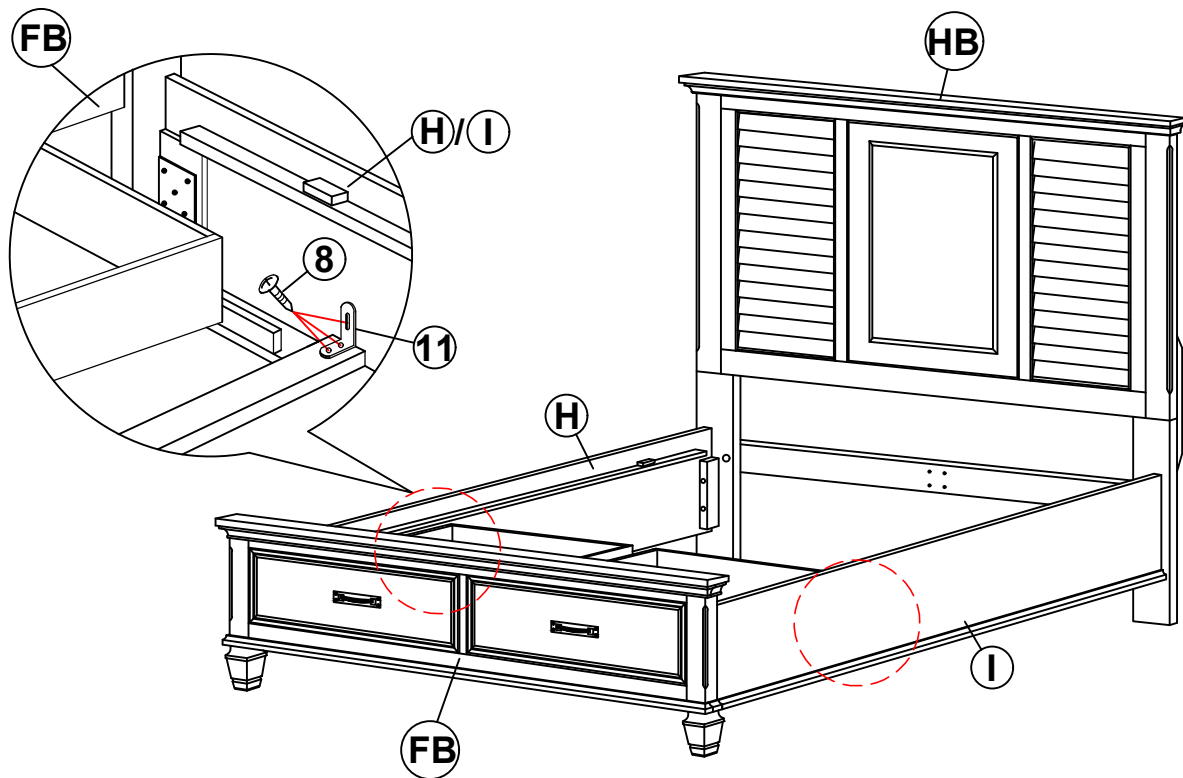


ASSEMBLY INSTRUCTIONS

STEP 5



STEP 6

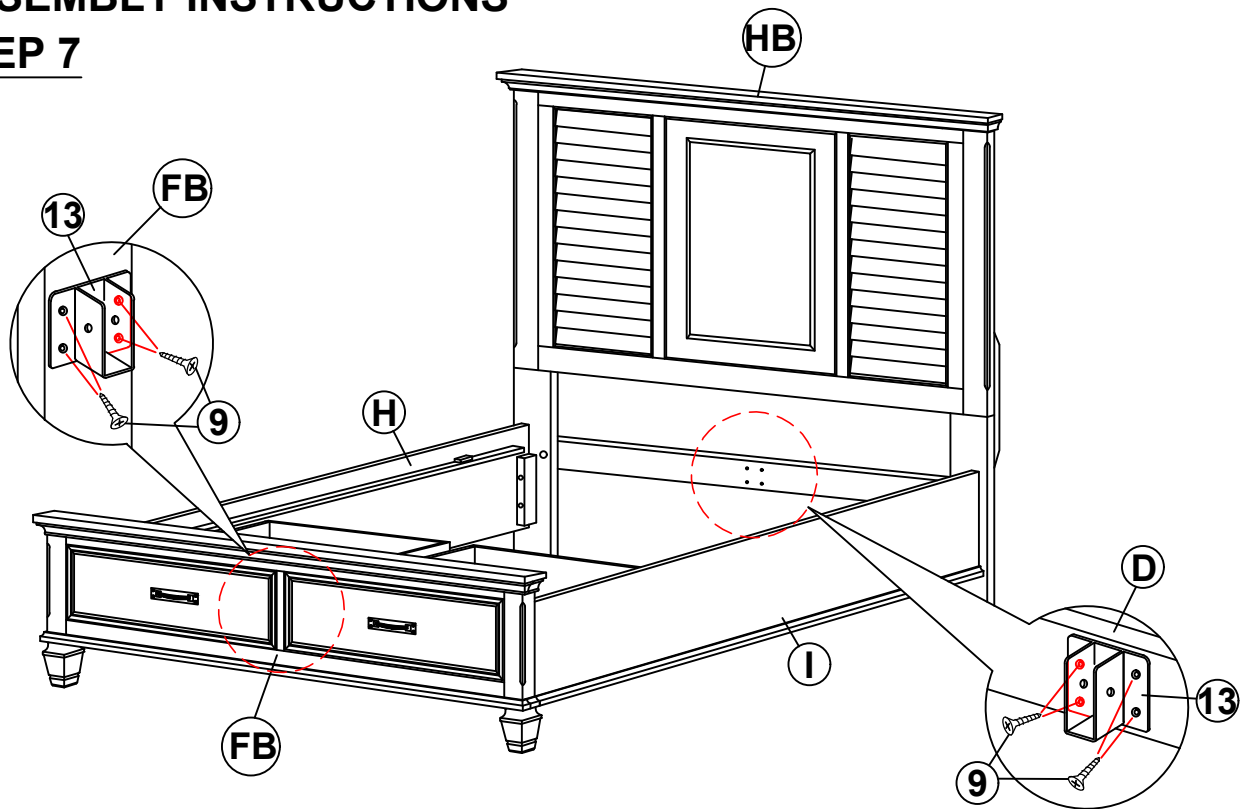


ITEM: 205730Q (B1-B3)

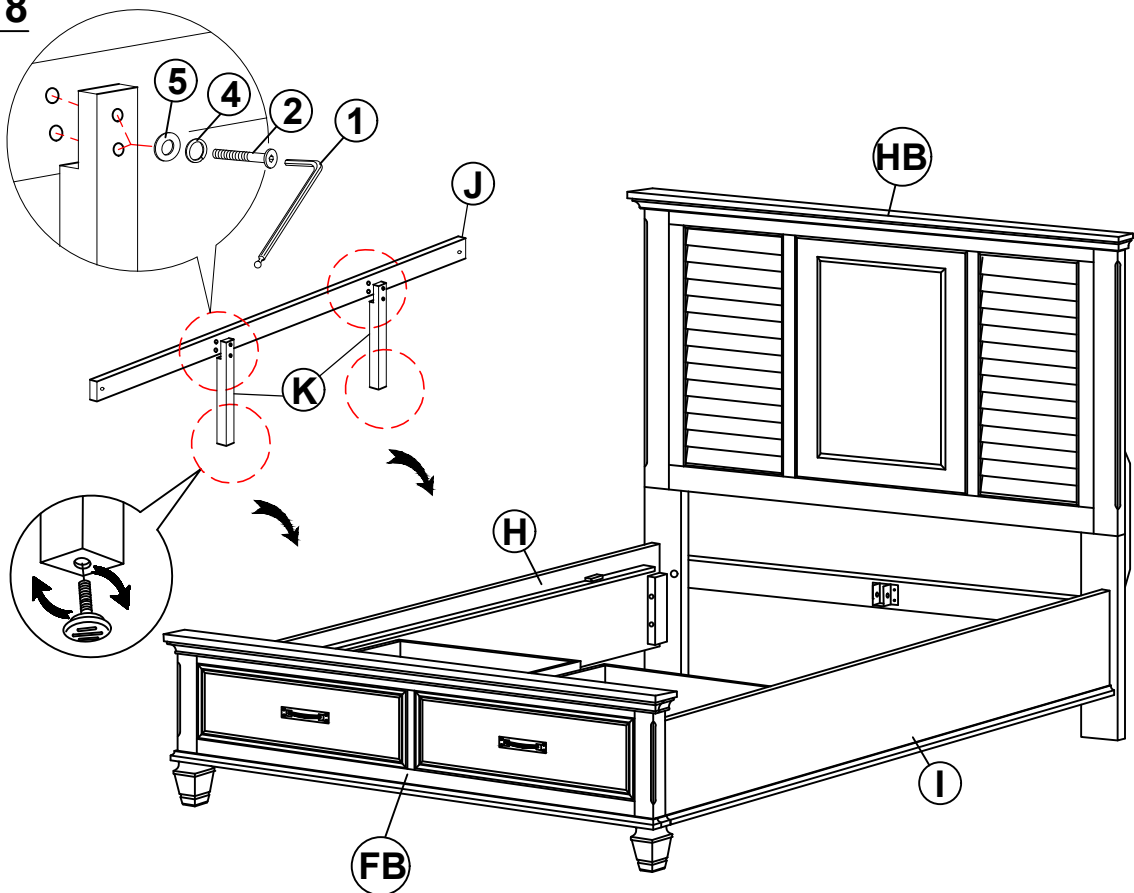


ASSEMBLY INSTRUCTIONS

STEP 7



STEP 8

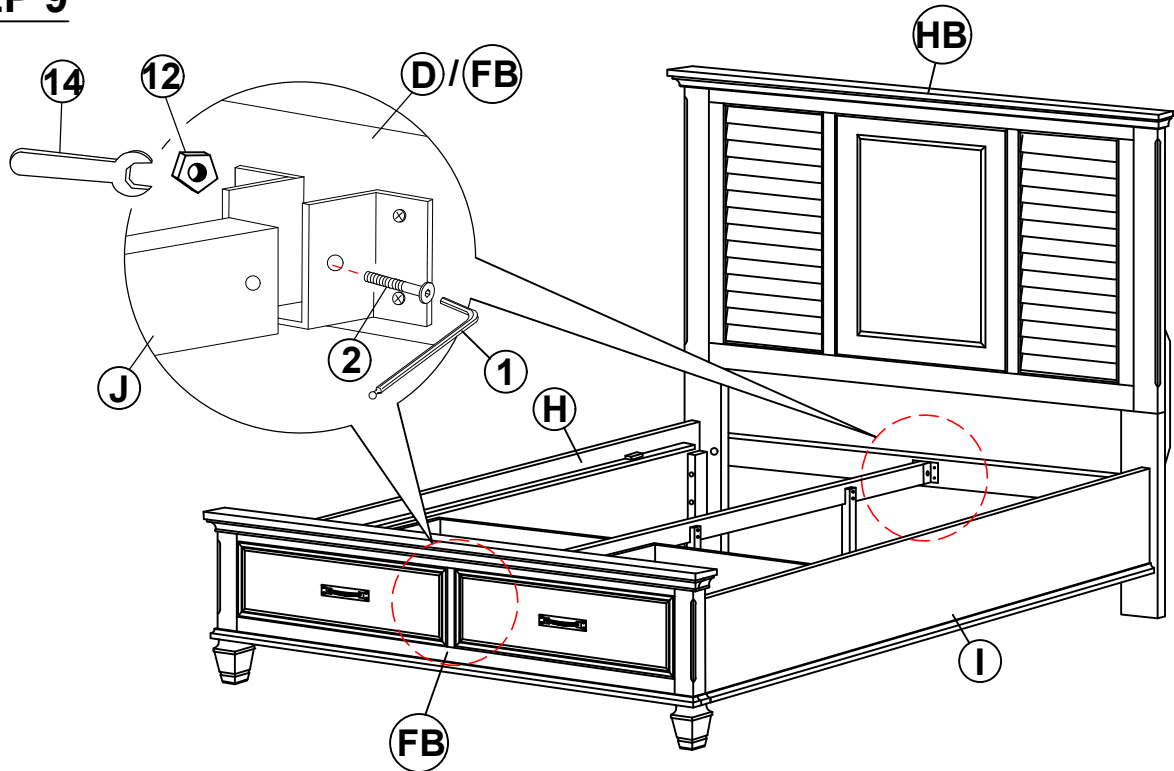


ITEM: 205730Q (B1-B3)

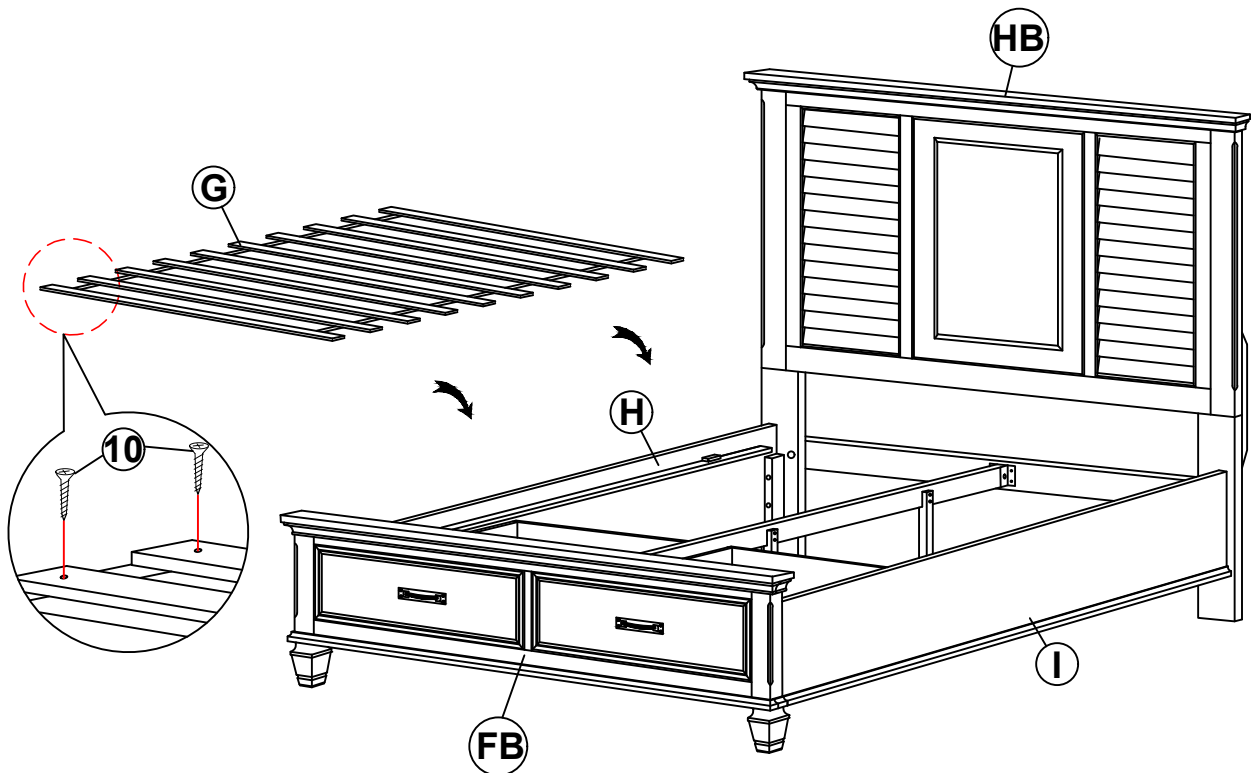


ASSEMBLY INSTRUCTIONS

STEP 9



STEP 10

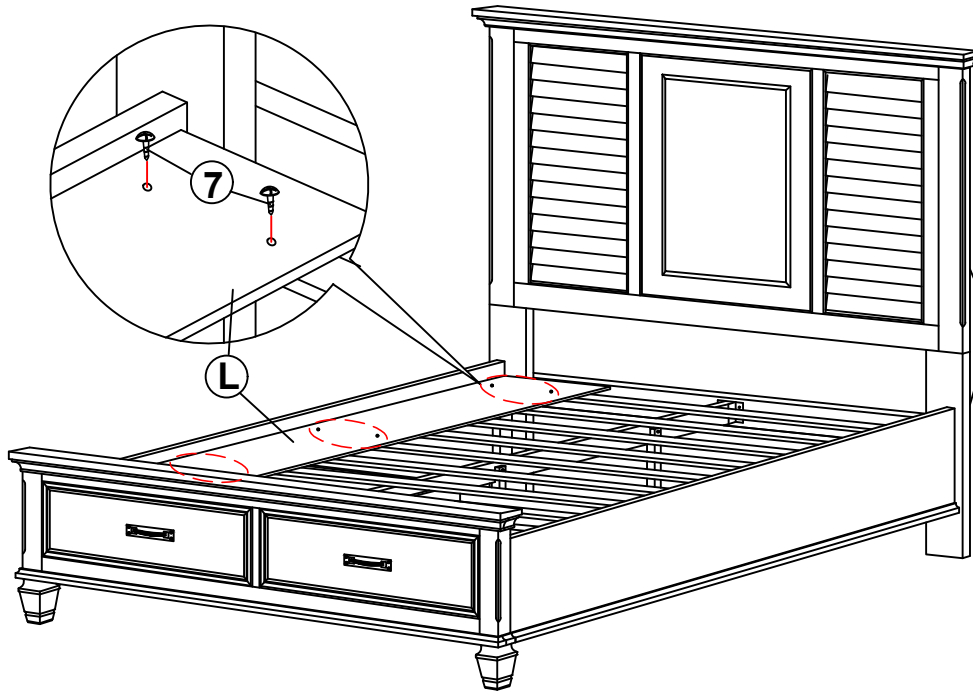


ITEM: **205730Q (B1-B3)**

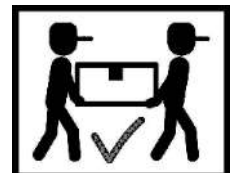
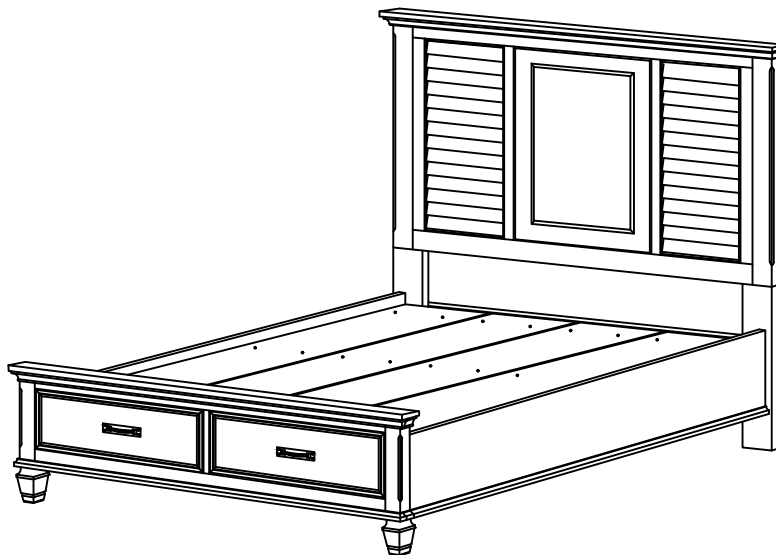


ASSEMBLY INSTRUCTIONS

STEP 11



STEP 12
COMPLETE

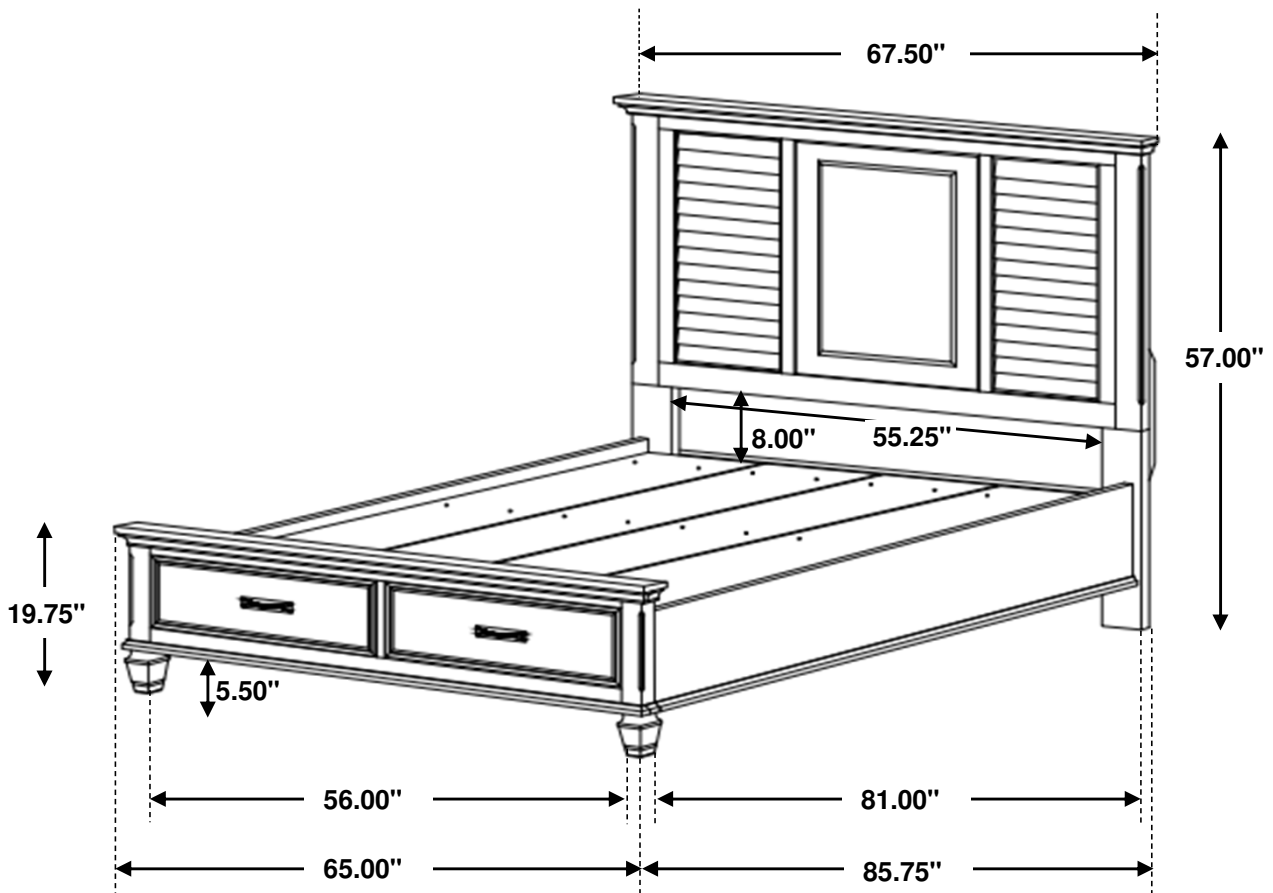


ITEM: 205730Q (B1-B3)



Inner Size : 61.00"W X 81.00"D

Inner Size of Drawer : 5.75"W X 18.75"D X 24.00"H X 0.50"T



Note : Dimension tolerance $\pm 5\%$