

Bookcase

Dimension: 50*24*107.2cm

Tips!

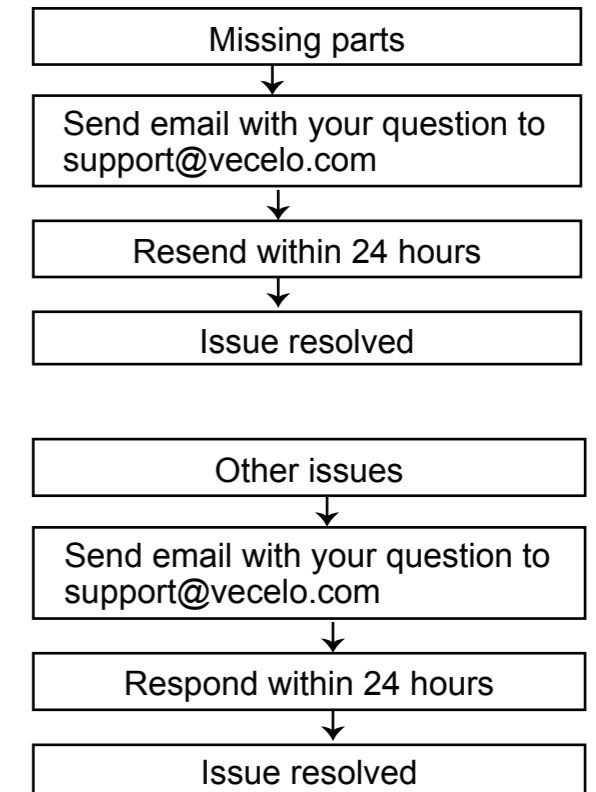
Check all the components & screws before assembly. **Do not install in case part is missing, contact us to get.** Send email with your question to support@vecelo.com. We will resend within 24 hours.

Return Policy

We believe you will absolutely love your new item. But if for some reason you want to return, please contact us directly before you decide to return your product. Our customer service organization can answer most concerns and assist you with any questions you may have about your new item, please email us first at: support@vecelo.com.

The item must be returned within 30 days of delivery for a full refund. The item must be returned in good condition, in original box, with all original proof of purchase, parts and accessories.

Trouble shooting:

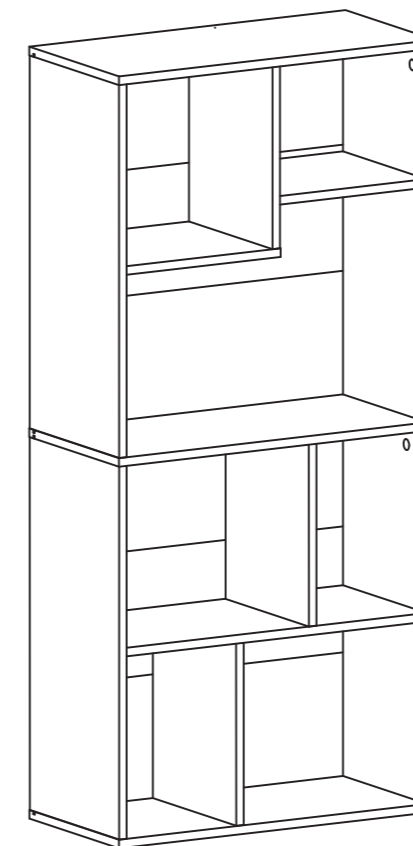


We control manufacturing and distribution ourselves, ensure the quality.

How to find us?

Email: support@vecelo.com

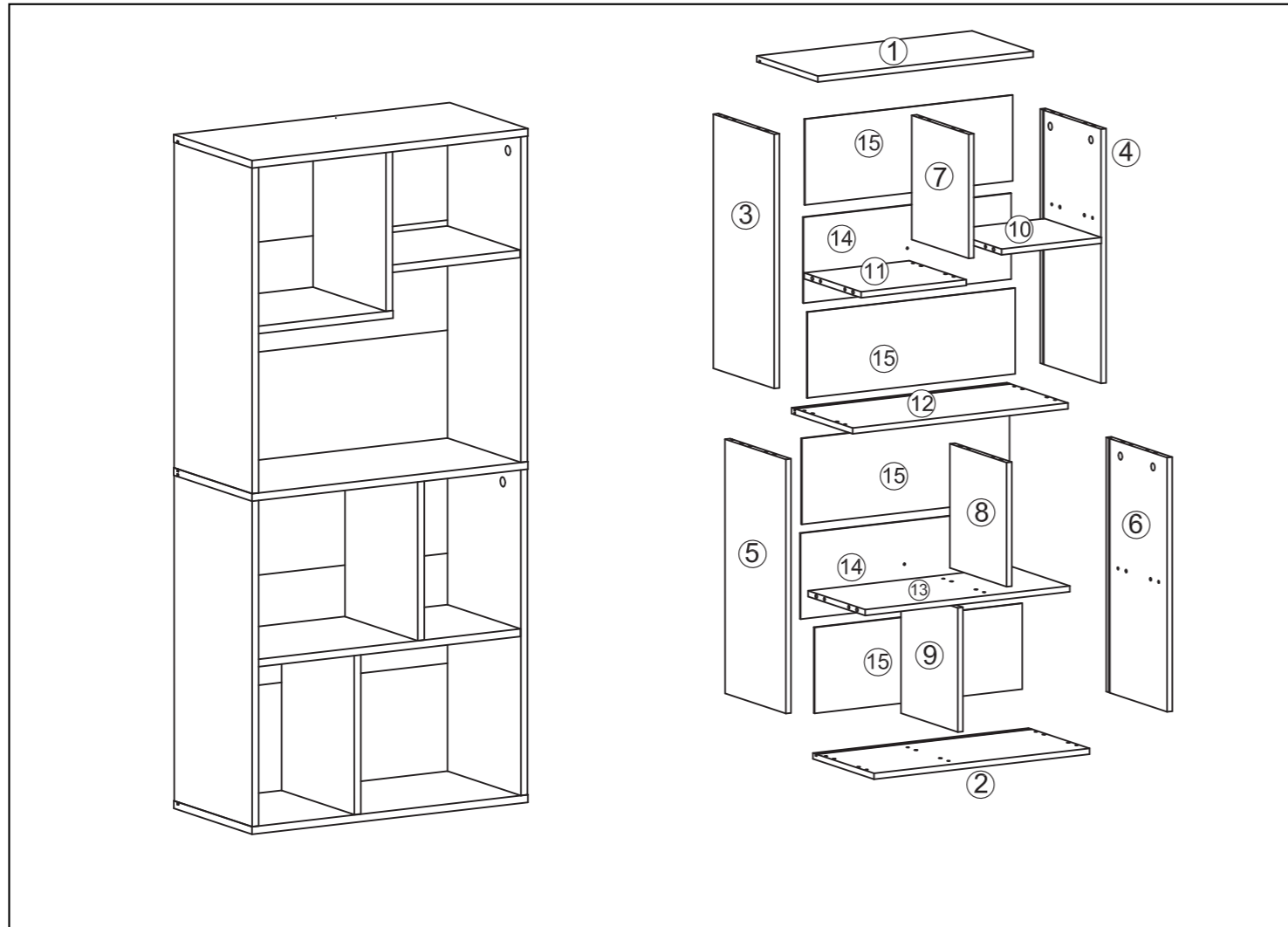
Website: www.vecelo.com



Item Description: Bookcase

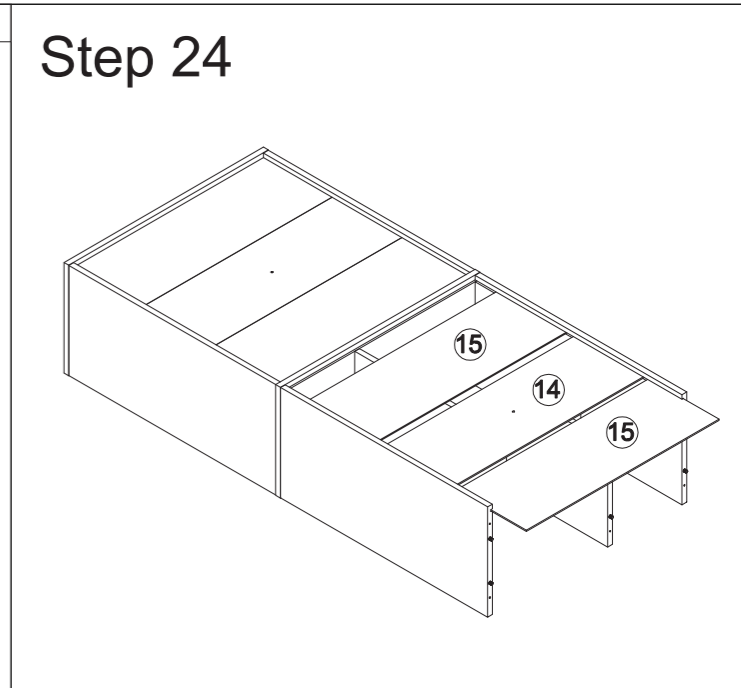
Dimension: 50*24*107.2cm

Model NO: XZB-NO.1



Step 23

B **6**



Step 25

D **6**
E **1**

Step 26

F **1**

Components			
1		1	6
2		1	7
3		1	8
4		1	9
5		1	10
11		1	12
13		1	14
15		4	

Screws&Tools	
A	24
B	24
C	38
D	14
E	2
F	1

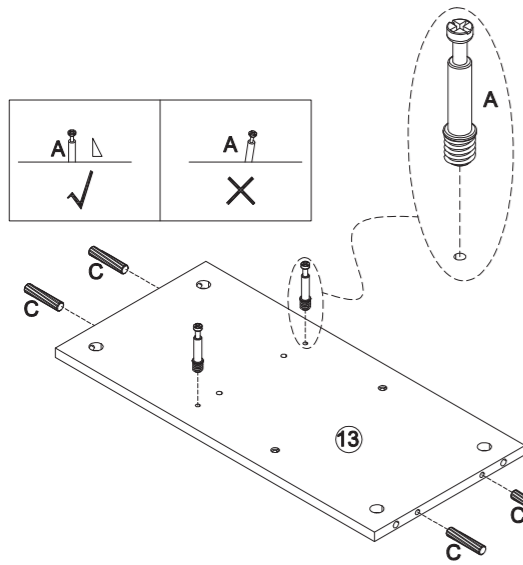
Step 27

F **1**

WALL

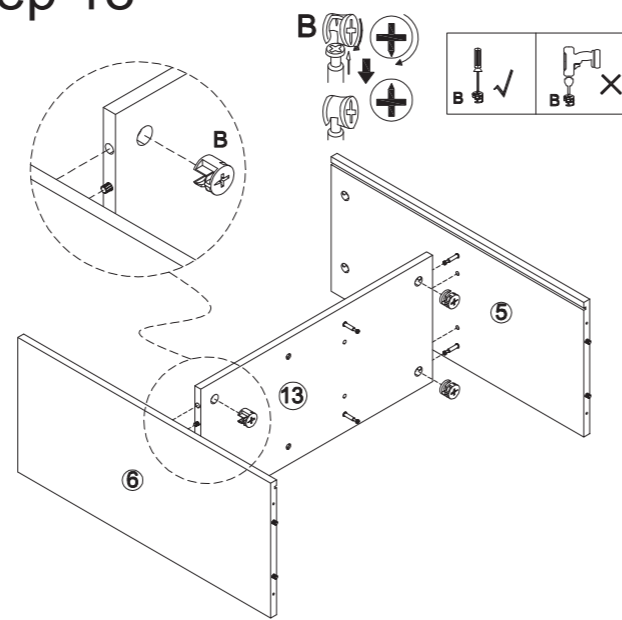
Step 17

A		2
C		4



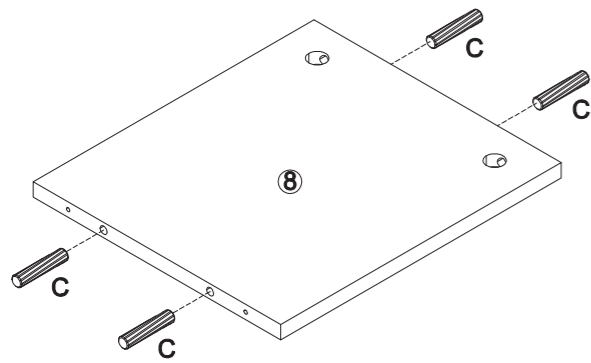
Step 18

B		4
---	--	---



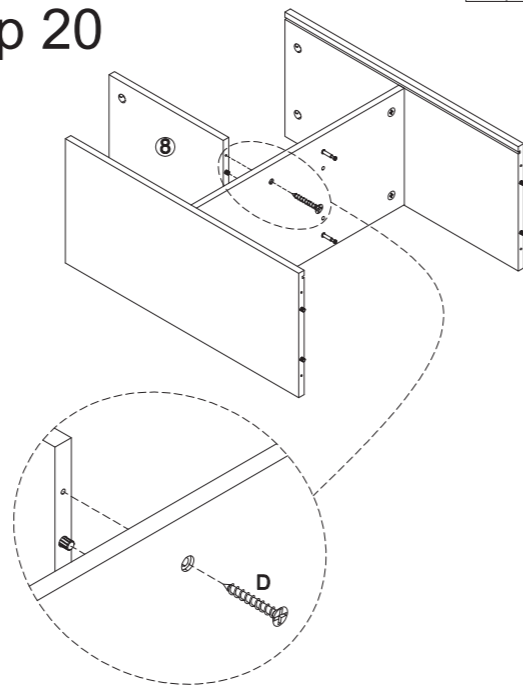
Step 19

C		4
---	--	---



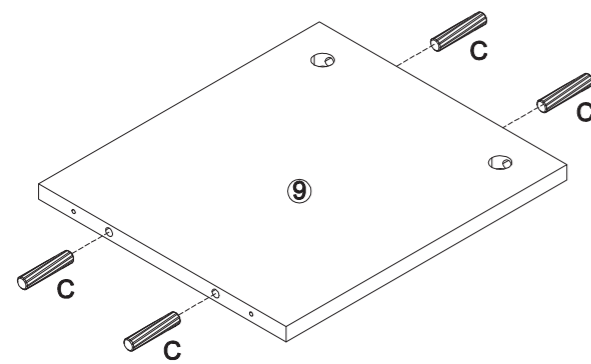
Step 20

D		2
---	--	---



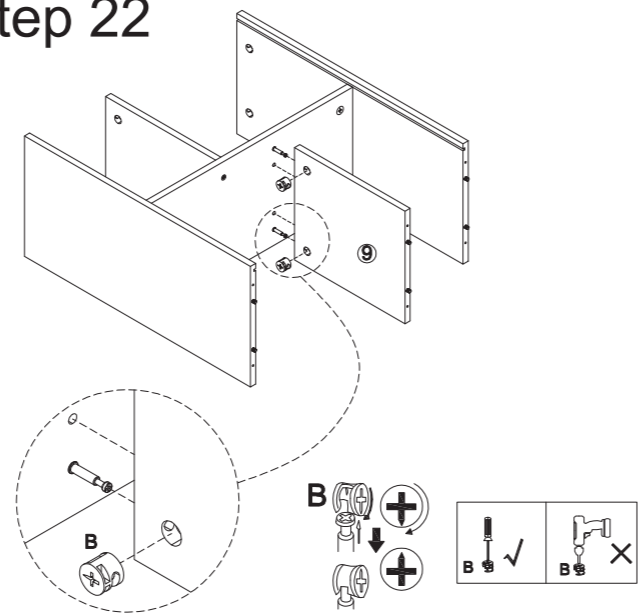
Step 21

C		4
---	--	---

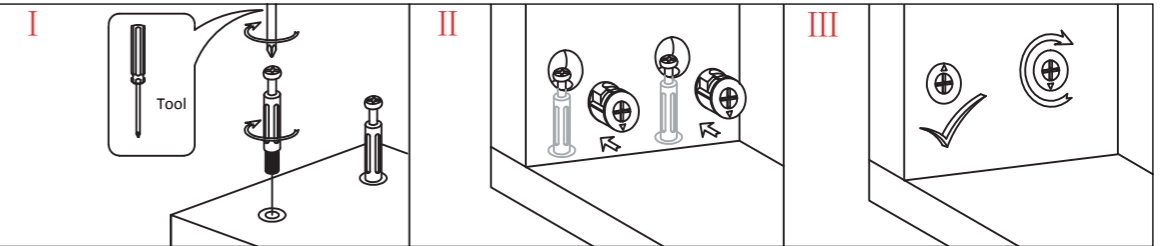


Step 22

B		2
---	--	---



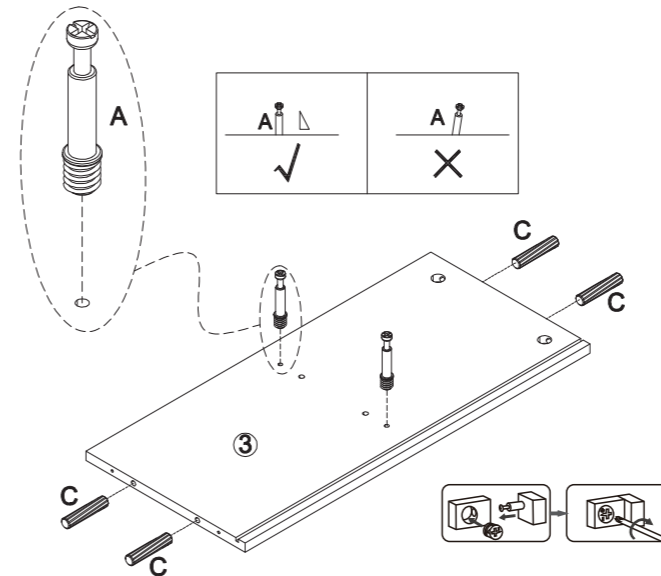
"A&B" Hardware
Assembly example



Step 1

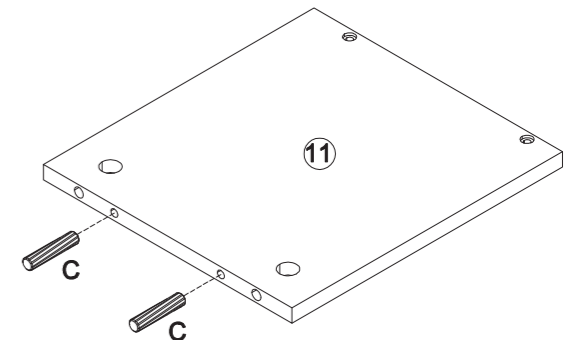
A		2
C		4

NOTICE: Mind the directions of
the groove while installation.



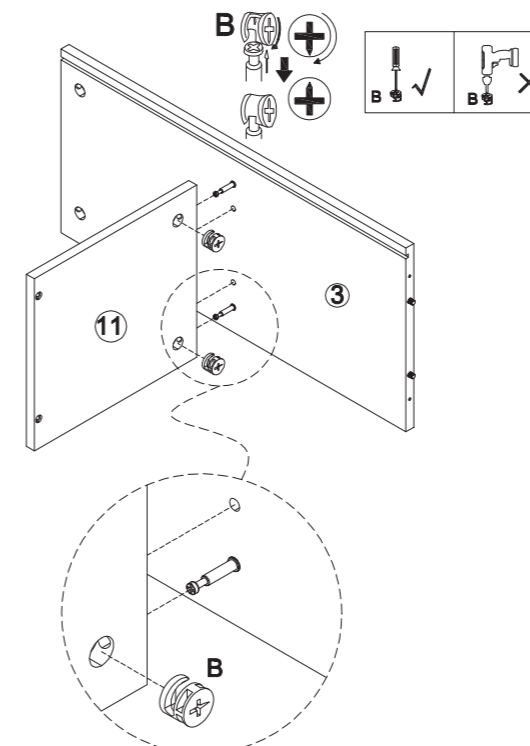
Step 2

C		2
---	--	---



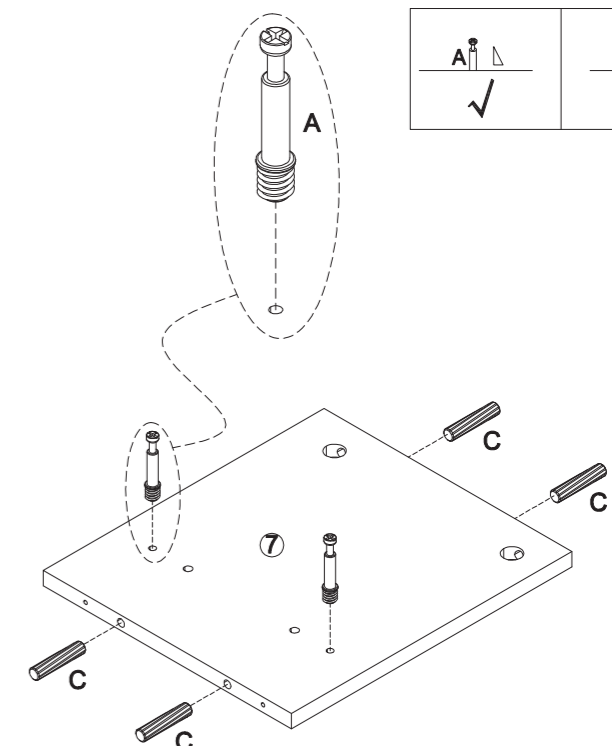
Step 3

B		2
---	--	---



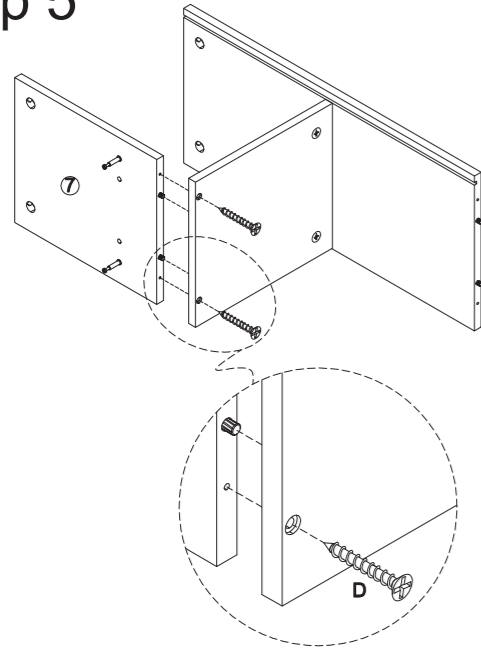
Step 4

A		2
C		4



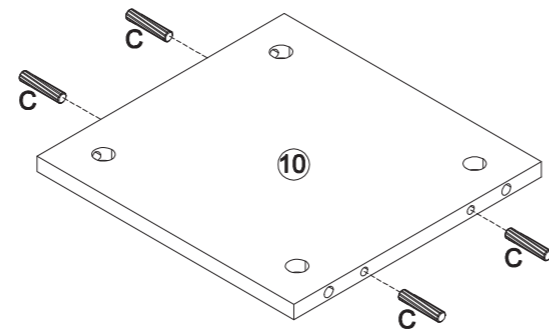
Step 5

D 2



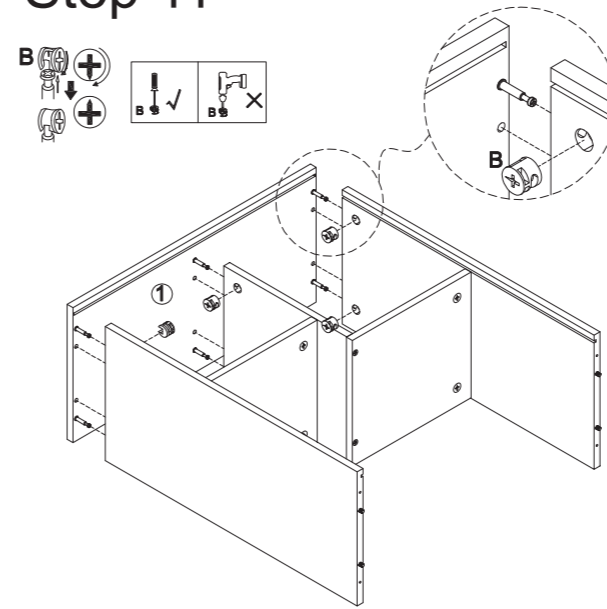
Step 6

C 4

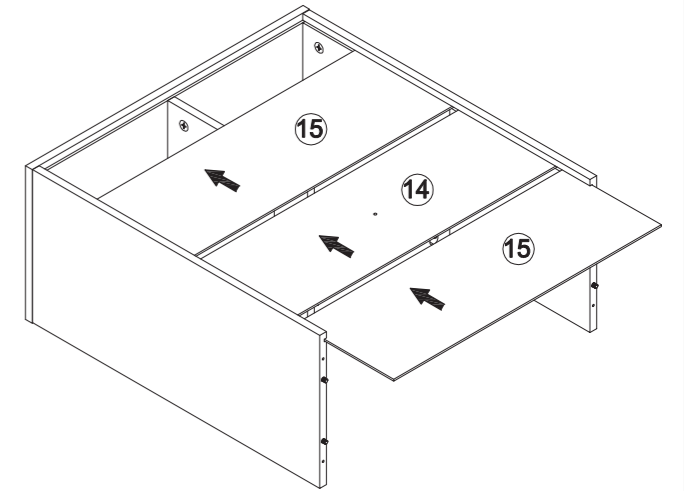


Step 11

B 6

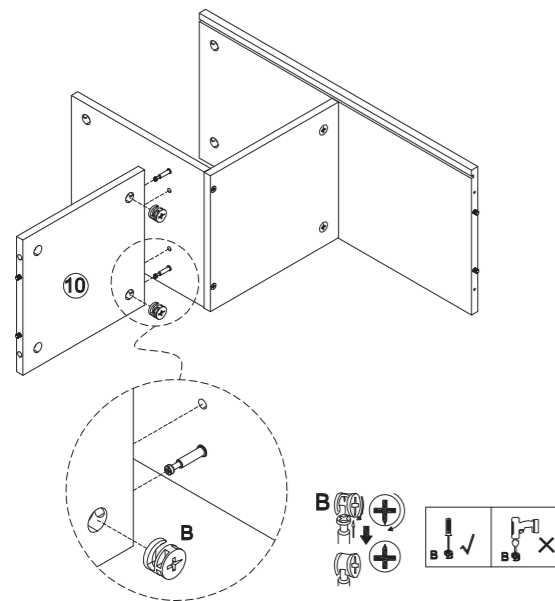


Step 12



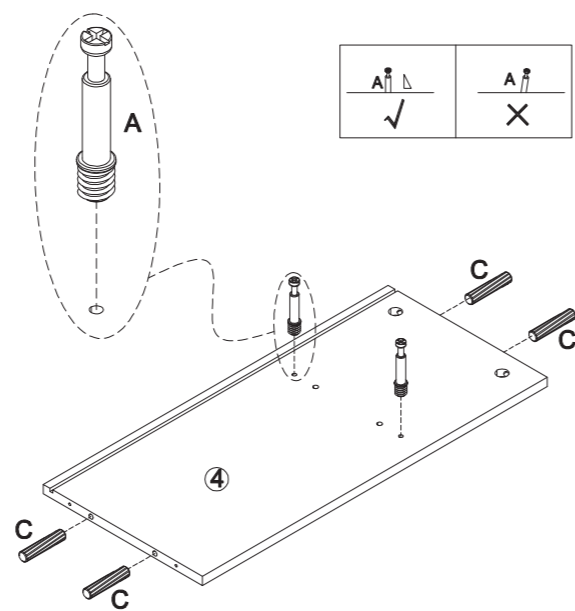
Step 7

B 2



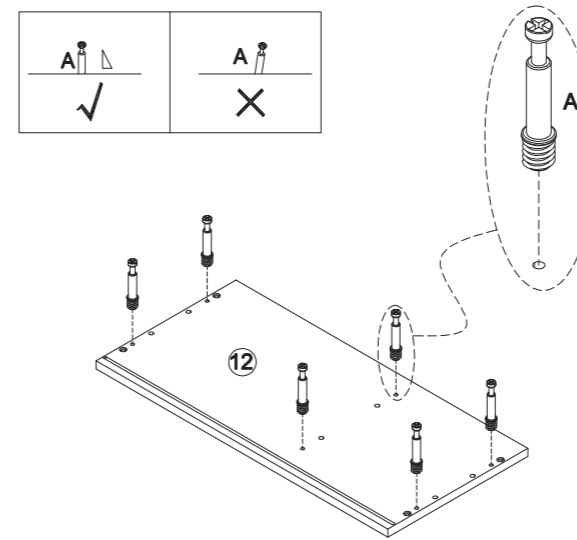
Step 8

A 2
C 4



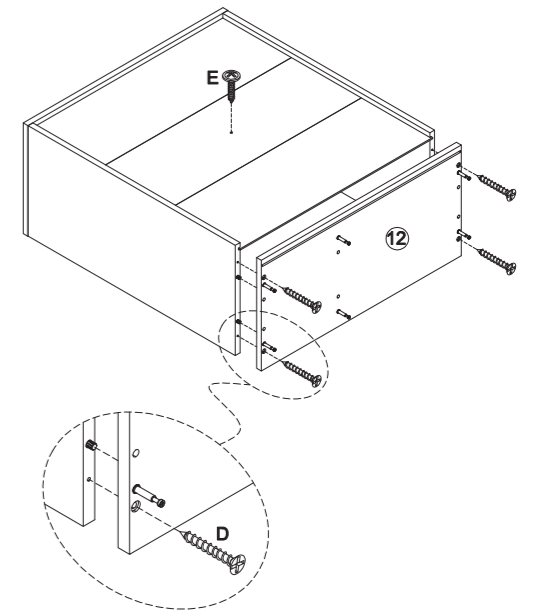
Step 13

A 6



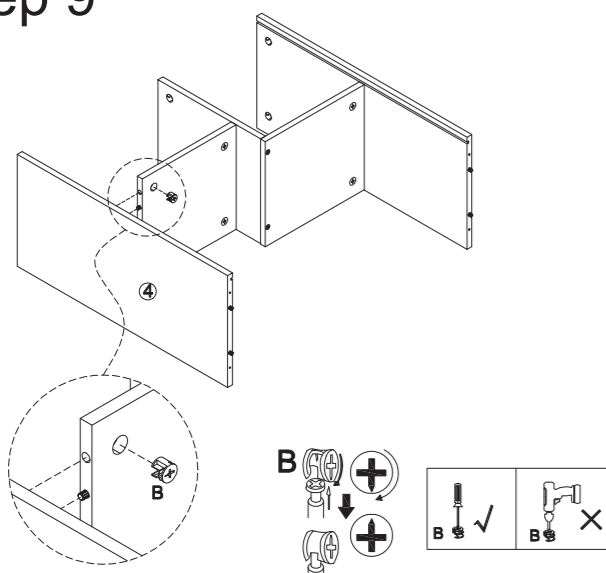
Step 14

D 4
E 1



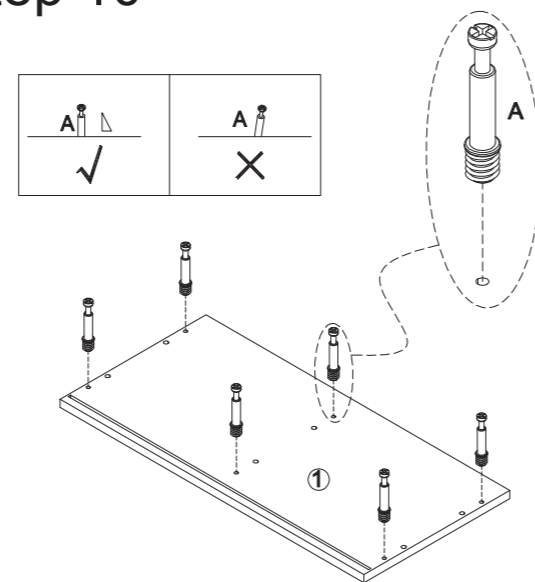
Step 9

B 2



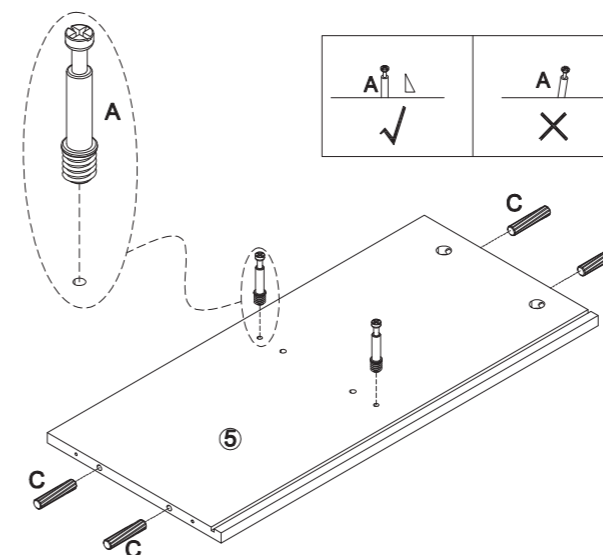
Step 10

A 6



Step 15

A 2
C 4



Step 16

A 2
C 4

