


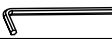
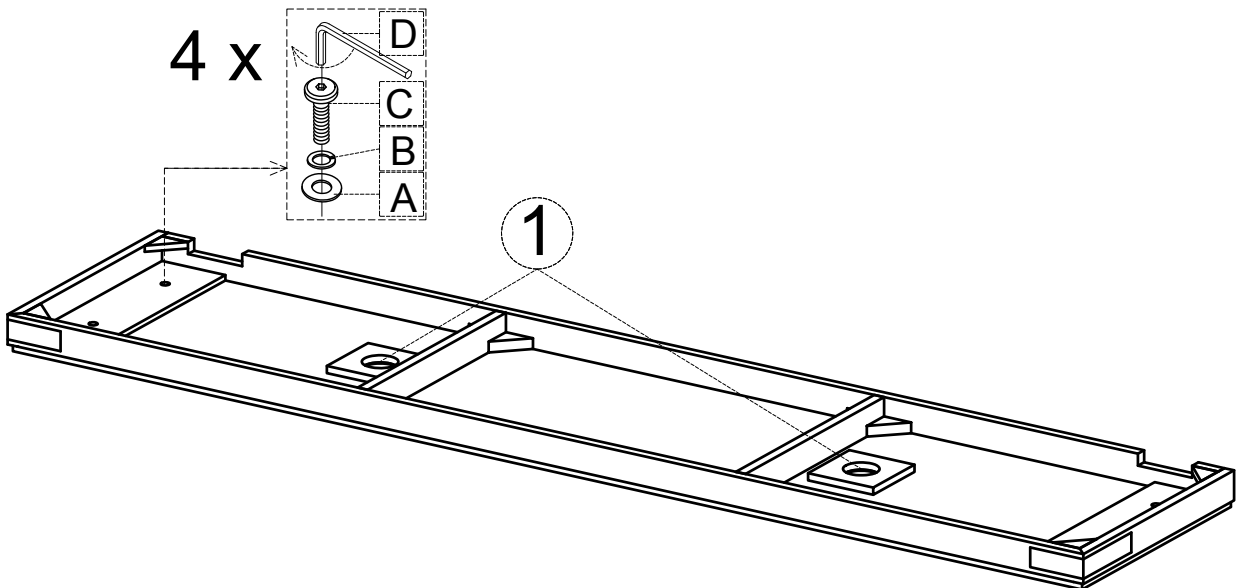
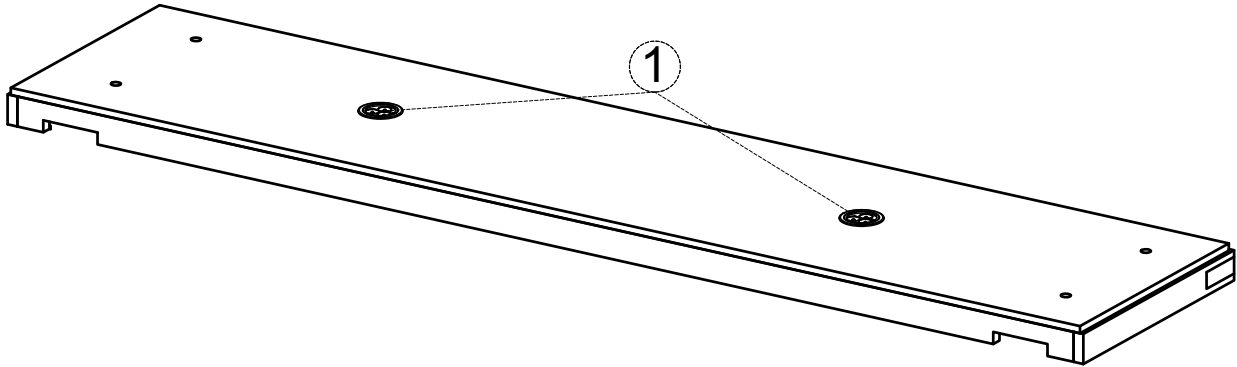


ASSEMBLY INSTRUCTIONS & PARTS IDENTIFICATION BRIDGE

Thank you for purchasing this quality product. Be sure to check all packing material carefully for small parts that may have come loose inside the carton during shipment.

Parts key			Hardware kit		
No	Qty	Description	No	Description	Qty
1	1 set	Spot Light SKU	A	 Flat washer M8 x 18	4 pcs
			B	 Lock washer M8	4 pcs
			C	 Bolt M6 x 30	4 pcs
			D	 Allen Key K4	1 pc

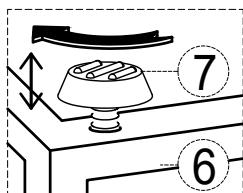
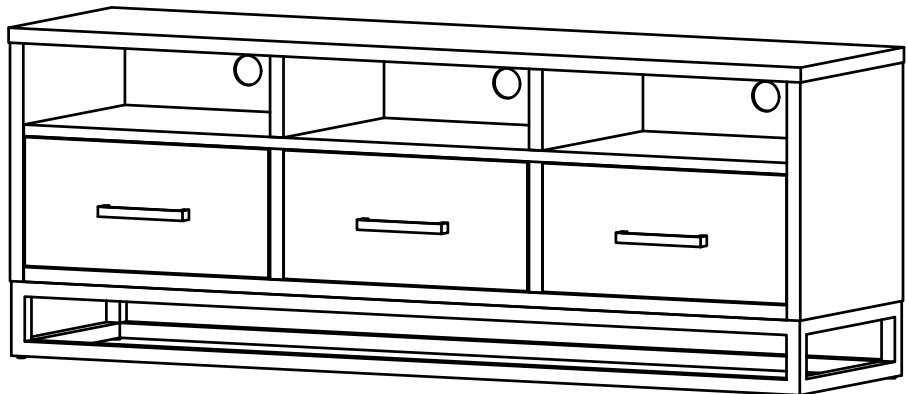
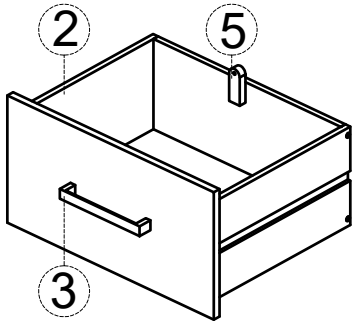
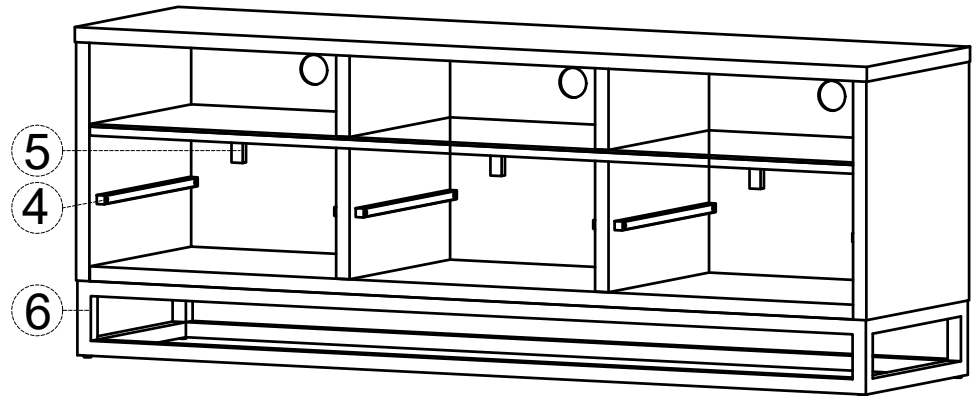


ASSEMBLY INSTRUCTIONS & PARTS IDENTIFICATION

70" CONSOLE

Thank you for purchasing this quality product. Be sure to check all packing material carefully for small parts that may have come loose inside the carton during shipment.

Parts key							
No		Qty	Description	No		Qty	Description
1		1 pc	Storage Box	5		3 pcs	Drawer Stop
2		3 pcs	Complete Drawer	6		1 pc	Leg Assembly
3		3 sets	Pull w/Screws	7		4 pcs	Floor Leveler
4		6 pcs	Drawer Glide				





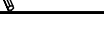


ASSEMBLY INSTRUCTIONS & PARTS IDENTIFICATION PIER

Thank you for purchasing this quality product. Be sure to check all packing material carefully for small parts that may have come loose inside the carton during shipment.

Parts key							
No	Qty	Description	No	Qty	Description	No	Description
1	1 pc	Storage Box	8	2 pcs	Glass Shelf		
2	1 pc	Top Drawer Complete	9	8 pcs	Shelf Pin		
3	1 pc	Bottom Drawer Complete	10	1 pc	Leg Assembly		
4	2 sets	Pull w/Screws	11	4 pcs	Floor Leveler		
5	4 pcs	Drawer Glide	12	1 pc	Anti - tip kit		
6	2 pcs	Drawer Stop					
7	1 set	Single Spot Light					

PLEASE NOTE :
To help prevent the possibility of tip-over,
Install the ANTI- TIP OVER restraint provided.

Hardware kit				
No	Description			Qty
A	 Metal plate			2 pcs
B	 Bolt	M6 x 15		4 pcs
C	 Lock washer	M8		4 pcs
D	 Flat washer	M8 x 16		4 pcs
E	 Allen Key	K4		1 pc

