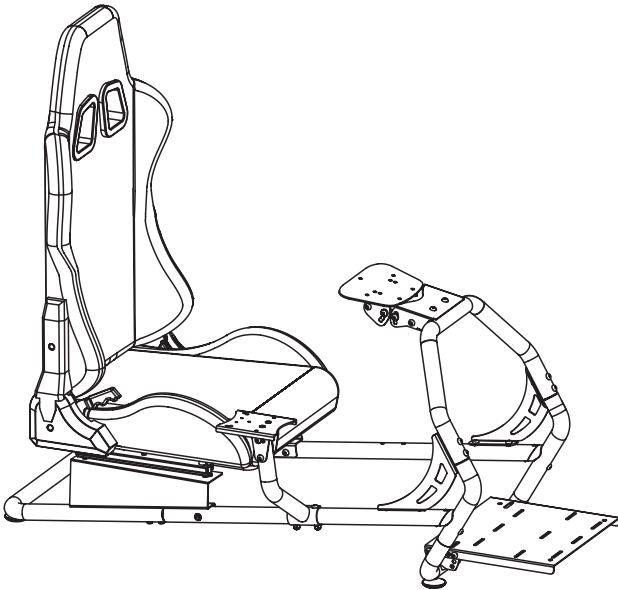


Red / Black Racing Simulator Cockpit

Instruction Manual



SKU: STAND-RACE1B



Scan the QR code with your mobile device or follow the link for helpful videos and specifications related to this product.

<https://vivo-us.com/products/stand-race1b>

GET IN TOUCH | Monday-Friday from 7:00am-7:00pm CST



help@vivo-us.com



www.vivo-us.com
Chat live with an agent!



309-278-5303

⚠️ WARNING!

If you do not understand these directions, or if you have any doubts about the safety of the installation, please call a qualified technician. Check carefully to make sure there are no missing or defective parts. Improper installation may cause damage or serious injury. Do not use this product for any purpose that is not explicitly specified in this manual. Do not exceed weight capacity. We cannot be liable for damage or injury caused by improper mounting, incorrect assembly or inappropriate use.

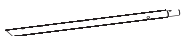
⚠️ WARNING: CHOKING HAZARD

SMALL PARTS - NOT FOR CHILDREN UNDER 3 YEARS. ADULT SUPERVISION IS REQUIRED.

PACKAGE CONTENTS



A (x1)
Front Support Frame



B (x2)
Side Support Bar



C (x1)
Rear Support Bar



D (x2)
Support Bar Spacer



E (x1)
Right Brace



F (x1)
Left Brace



G (x1)
Footrest



H (x1)
Wheel Mount



I (x1)
Right Chair Support with Lock



J (x1)
Left Chair Support



K (x1)
Chair Seat



L (x1)
Chair Back



M (x1)
Right Side Cover



N (x1)
Left Side Cover



O (x4)
Foot Pad



P (x4)
Spacer



Q (x4)
Chair Back Bolt



R (x4)
Side Cover Bolt



S (x22)
M8x16



T (x4)
M8x30



U (x2)
M8x60



V (x1)
Shifter Support Bar



W (x1)
Shifter Mount



X (x2)
M6x15



Y (x2)
M8x50



Z (x2)
Nut



A1 (x4)
Cable Clip



B1 (x6)
Ziptie



C1 (x1)
5mm Allen Wrench



D1 (x1)
Wrench

NOTE: SOME HARDWARE MAY NOT BE USED

TOOLS NEEDED



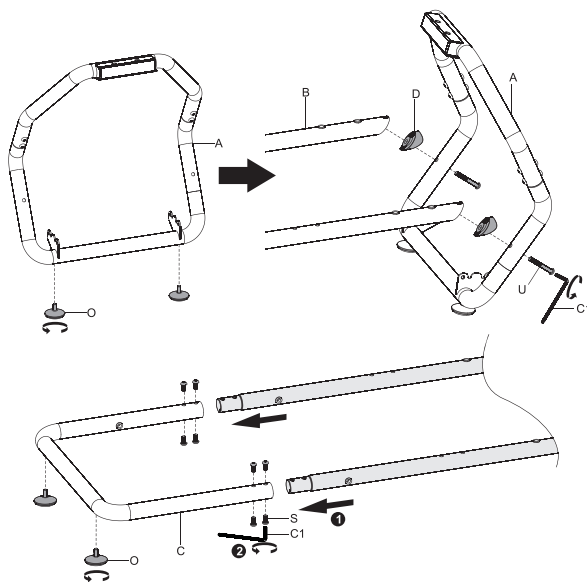
DO NOT EXCEED WEIGHT CAPACITY.
Failure to do so may result in serious injury.



ASSEMBLY STEPS

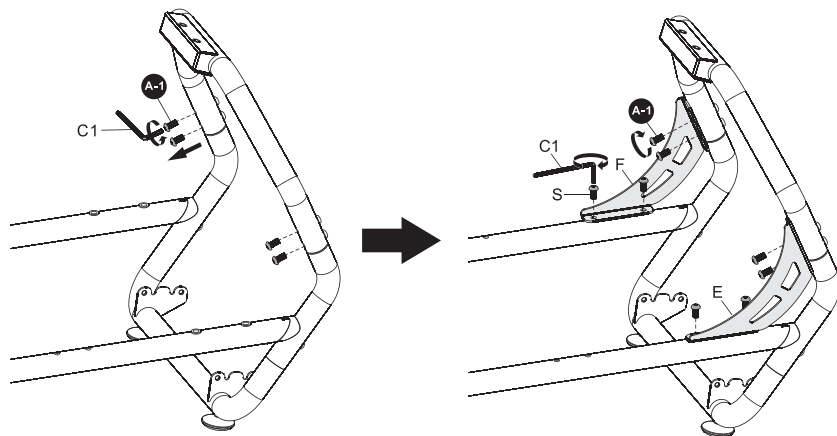
STEP 1

Screw x2 foot pads (**O**) into the underside of the front support frame (**A**). Place a support bar spacer (**D**) onto the front (angled) end of each side support bar (**B**), then assemble to the front support frame using M8x60 bolts. Tighten using the 5mm Allen wrench (**C1**). Insert the side support bars into the rear support bar (**C**), and secure using x8 M8x16 bolts (**S**) with the 5mm Allen wrench (**C1**). Screw x2 foot pads (**O**) into the rear support bar.



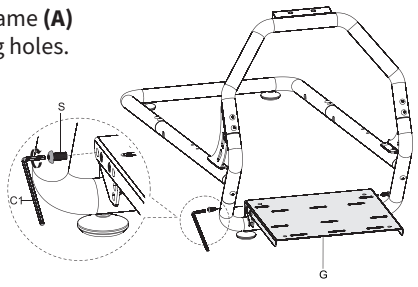
STEP 2

Remove pre-installed bolts (**A-1**) from the front support frame (**A**). Assemble right and left braces (**E, F**) to the frame using previously removed bolts and x4 M8x16 bolts (**S**). Tighten with the 5mm Allen wrench (**C1**).

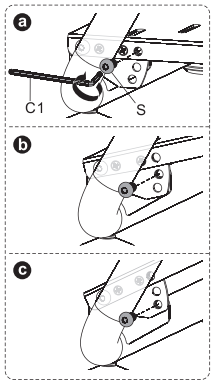
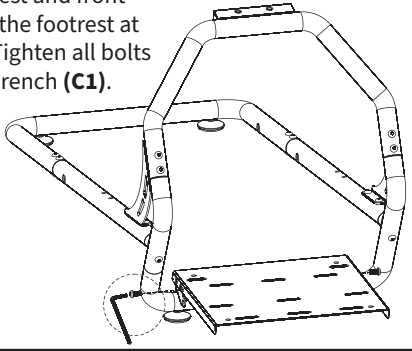


STEP 3

Install the footrest (**G**) to the front support frame (**A**) using x2 M8x16 bolts (**S**) in the rear mounting holes.

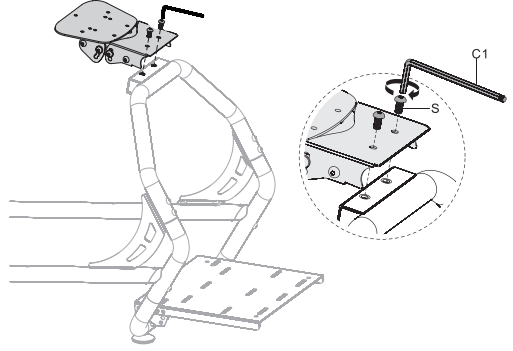


Insert X2 M8x16 screws (**S**) into the front holes in the footrest and front support frame to hold the footrest at one of three heights. Tighten all bolts using the 5mm Allen wrench (**C1**).

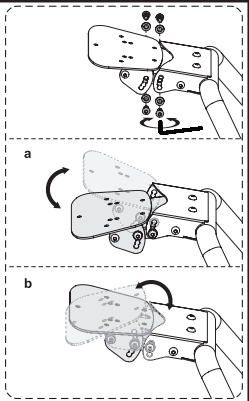
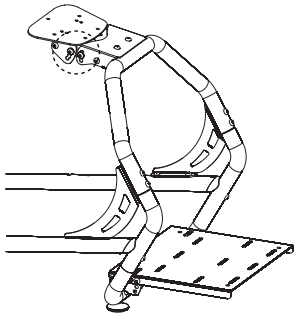


STEP 4

Attach the wheel mount (**H**) to the front support frame (**A**) using x2 M8x16 bolts (**S**), and tighten with the 5mm Allen wrench (**C1**).

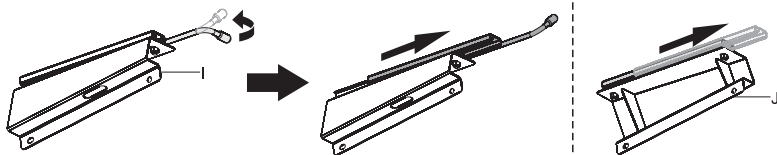


Adjust the wheel mount height and angle by removing the pre-installed bolts with washers from the sides, then reinstall while holding the mount at the desired height and angle.

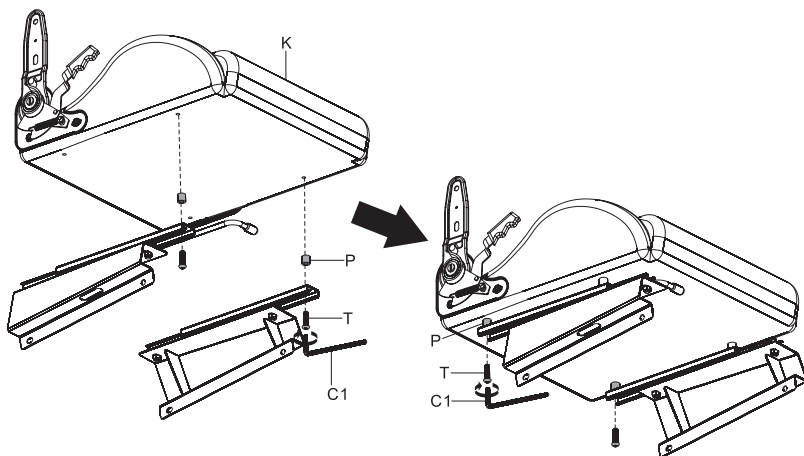


STEP 5

Extend the slider on the right chair support with lock **(I)** by lifting on the lever and pulling forward. Extend the slider on the left chair support **(J)** by pulling forward.

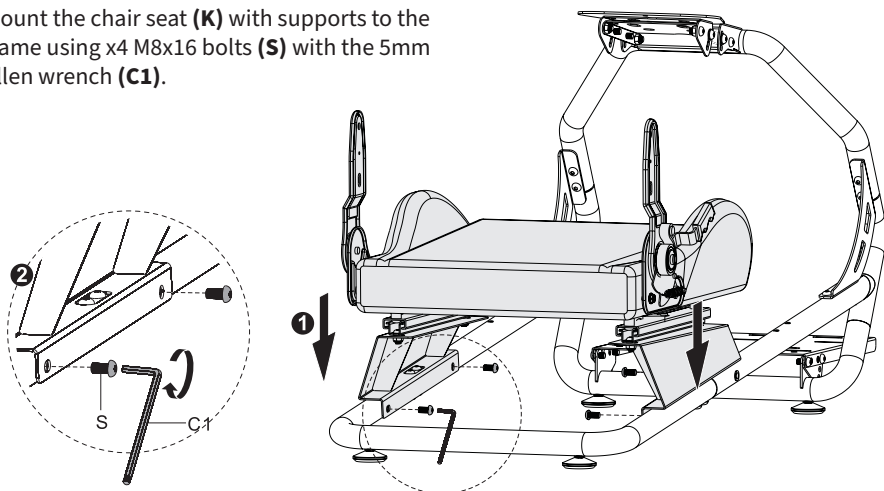


Install the chair supports to the chair seat **(K)** using spacers **(P)** and M8x30 bolts **(T)**. Tighten with the 5mm Allen wrench **(C1)**.



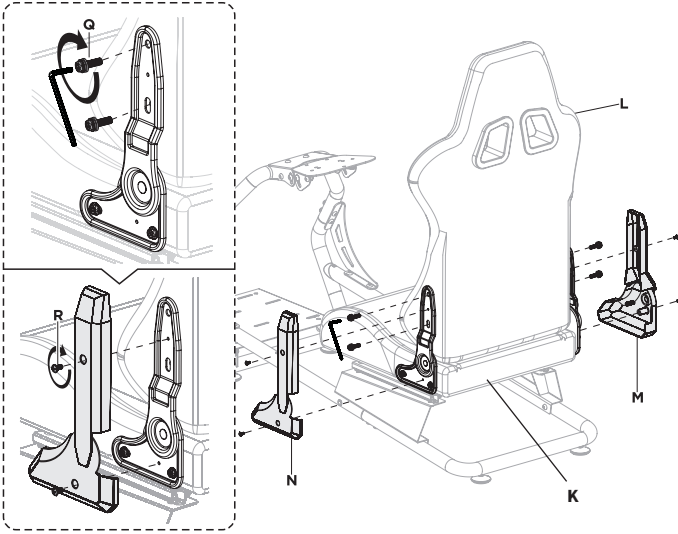
STEP 6

Mount the chair seat **(K)** with supports to the frame using x4 M8x16 bolts **(S)** with the 5mm Allen wrench **(C1)**.



STEP 7

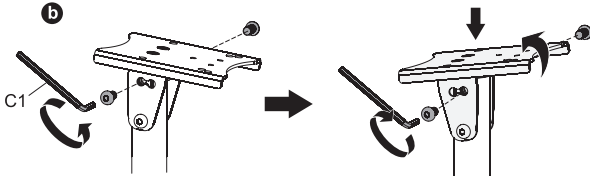
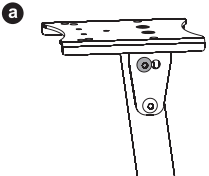
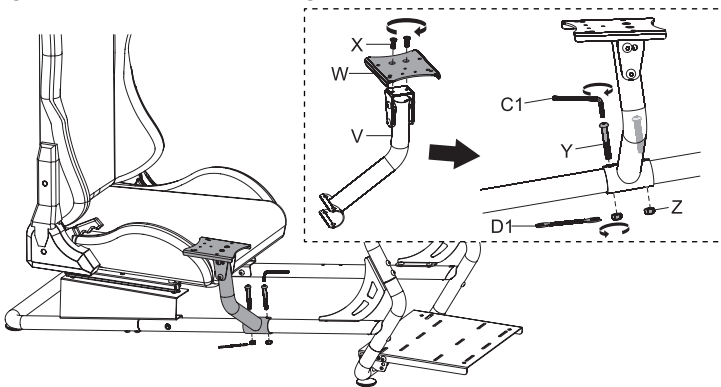
Assemble the chair back (**L**) to the brackets on the chair seat (**K**) using chair back bolts (**Q**). Install the left and right side covers (**M, N**) to the brackets using the side cover bolts (**R**), and tighten with a Phillips screwdriver.



STEP 8

OPTION A: Right Side Shift Lever

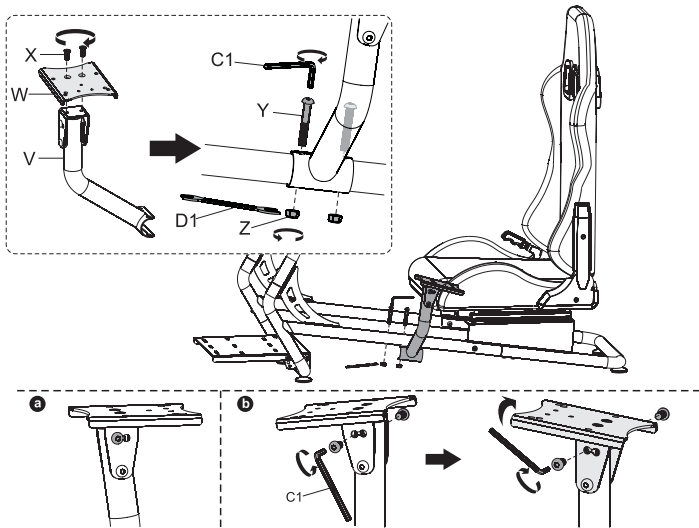
Attach the shifter mount (**W**) to the shifter support bar (**V**) using M6x15 bolts (**X**), making sure the long end faces back, and tighten with a Phillips screwdriver. Install the shifter support bar (**V**) to the right side of the frame using M8x50 bolts (**Y**) and nuts (**Z**). Tighten using the 5mm Allen wrench (**C1**) and wrench (**D1**). Adjust the mount angle by removing the pre-installed bolts from the sides, then reinstall while holding the mount at the desired angle.



STEP 8 (Continued)

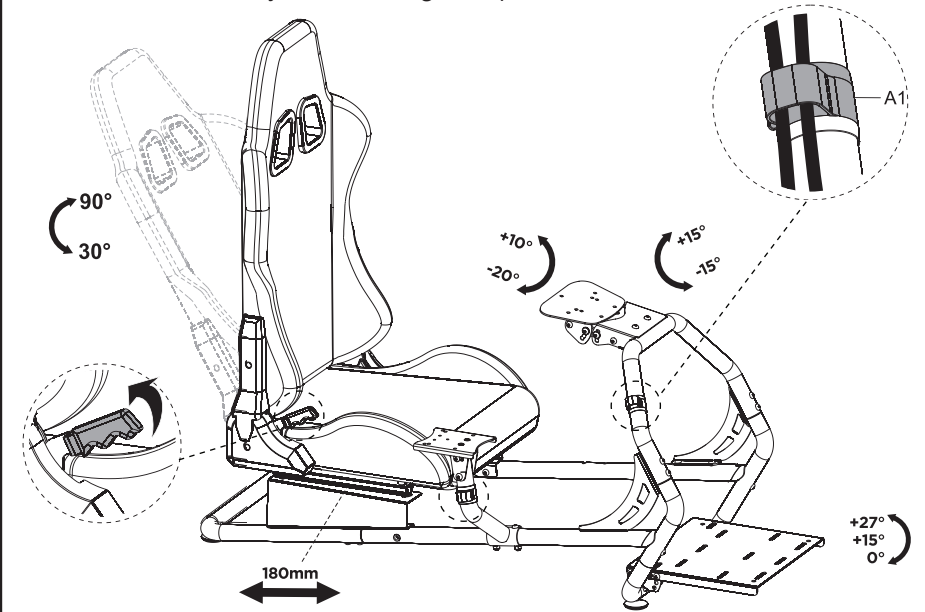
OPTION B: Left Side Shift Lever

Attach the shifter mount (**W**) to the shifter support bar (**V**) using M6x15 bolts, making sure the long end faces back, and tighten with a Phillips screwdriver. Install the shifter support bar (**V**) to the left side of the frame using M8x50 bolts (**Y**) and nuts (**Z**). Tighten using the 5mm Allen wrench (**C1**) and wrench (**D1**). Adjust the mount angle by removing the pre-installed bolts from the sides, then reinstall while holding the mount at the desired angle.



STEP 9

Attach the cable clips (**A1**) to the frame for organizing cables. Use the levers on the right side and underneath to adjust the seat angle and position.





Open **Monday - Friday 7:00am - 7:00pm** CST,
our dedicated support team can offer immediate assistance with rapid response times. If any parts are received damaged or defective, please contact us. We are happy to replace parts to ensure you have a fully functioning product.



309-278-5303

AVG. RESOLUTION TIME (*within office hrs*): **5M 4S**



www.vivo-us.com
Chat live with an agent!

AVG. RESOLUTION TIME (*within office hrs*): **< 15 M**



help@vivo-us.com

AVG. RESPONSE TIME (*within office hrs*): **1HR 8M**

- 23% within < 15m
- 38% within < 30m
- 61% within < 1hr
- 83% within < 2hr
- 92% within < 3hr