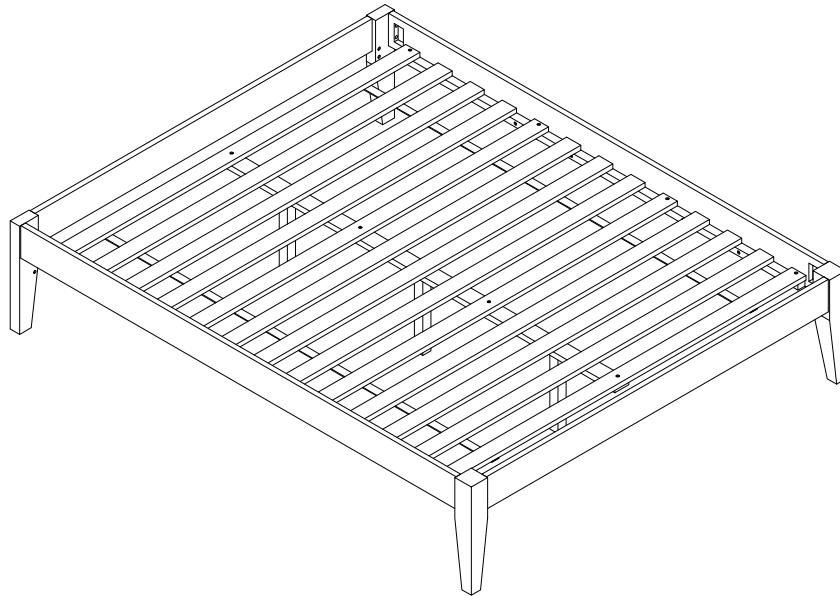


ASSEMBLY INSTRUCTIONS



Queen Universal Platform Bed

ASSEMBLY INSTRUCTIONS

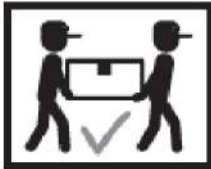
ASSEMBLY TIPS:

1. Remove hardware from box and sort by size.
2. Please check to see that all hardware and parts are present prior to start of assembly.
3. Please follow attached instructions in the same sequence as numbered to assure fast & easy assembly.



WARNING!

1. Don't attempt to repair or modify parts that are broken or defective. Please contact the store immediately.
2. This product is for home use only and not intended for commercial establishments.

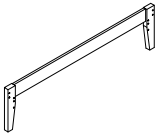
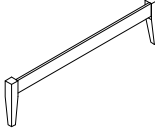


ASSEMBLY TIME


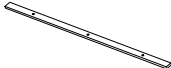
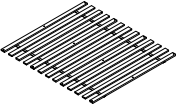

10 MINUTES

PARTS IDENTIFICATION

B1 (BOX 1)

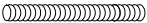






A	HEADBOARD		1PC		B	FOOTBOARD		1PC
---	-----------	---	-----	--	---	-----------	---	-----

B2 (BOX 2)

C	BED RAIL		2PCS		E	CENTER RAIL		1PC
D	ROLL SLAT (13PCS)		1SET		F	CENTER RAIL SUPPORT WITH LEVELER		3PCS

HARDWARE IDENTIFICATION

Z-B2 (BOX2) - HARDWARE PACK IS LOCATED

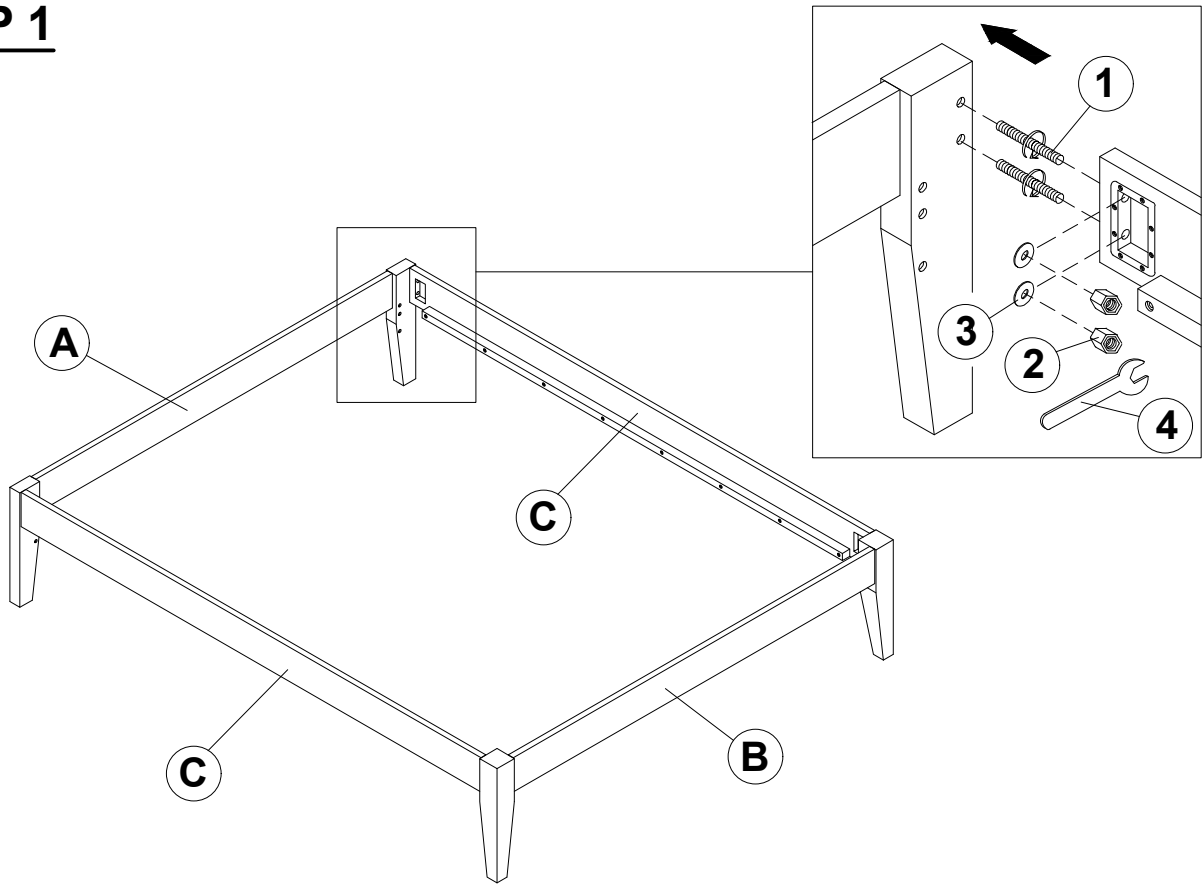
1	THREADED BOLT (5/16 x 90mm - RBW)		8PCS		5	BOLT (1/4 x 35mm Φ 12L4 - RBW)		3PCS
2	HEX NUT (5/16 x 12mm - RBW)		8PCS		6	ALLEN WRENCH (4 x 58MM - RBW)		1PC
3	FLAT WASHER (8/16 x 1.5mm - RBW)		8PCS		7	FLAT HEAD SCREW (4 x 30mm - RBW)		12PCS
4	WRENCH (12mm - RBW)		1PC					

NOTE:

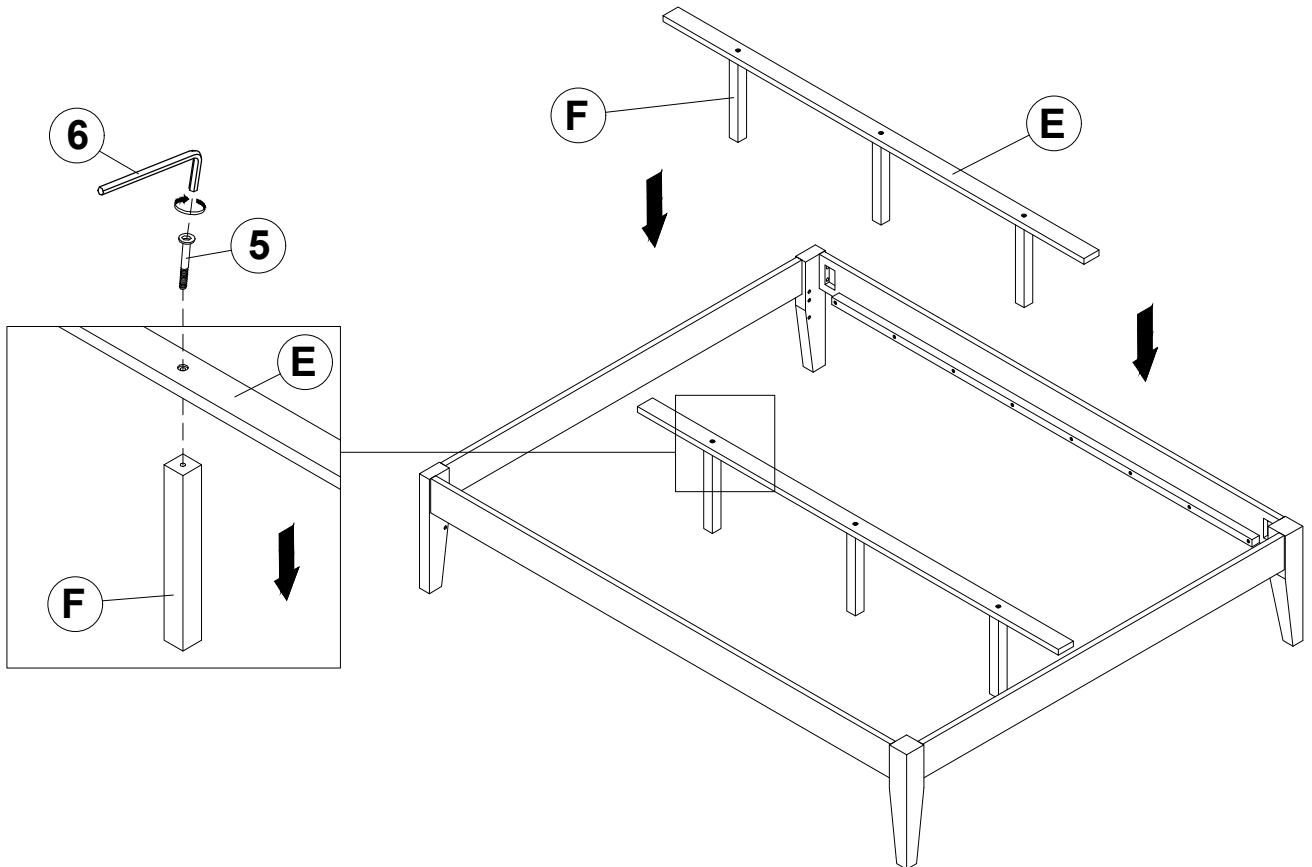
Phillips head screw driver is required in the assembly process; however, manufacturer does not provide this item.

ASSEMBLY INSTRUCTIONS

STEP 1

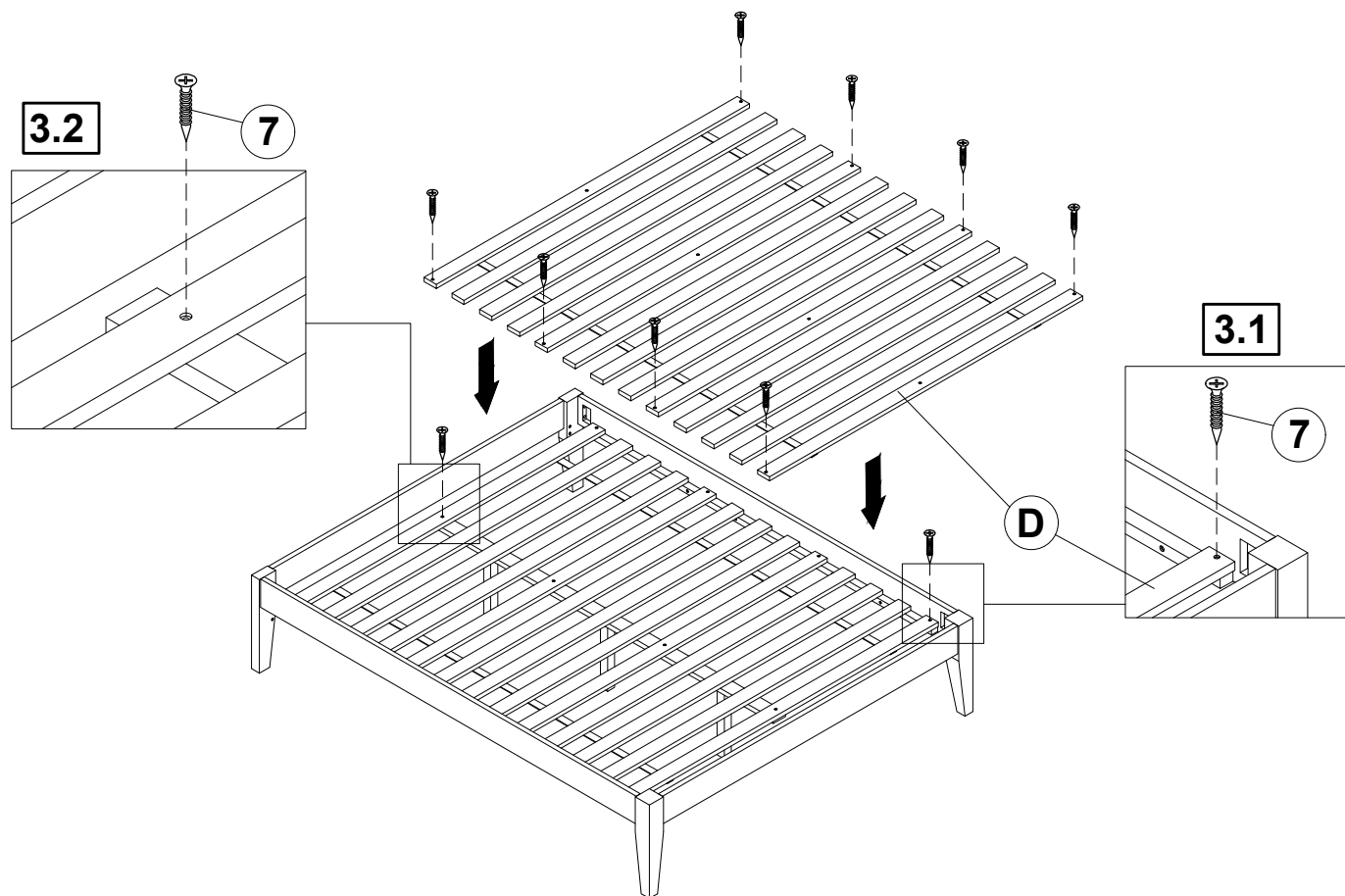


STEP 2

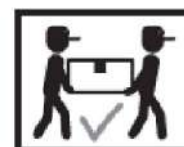
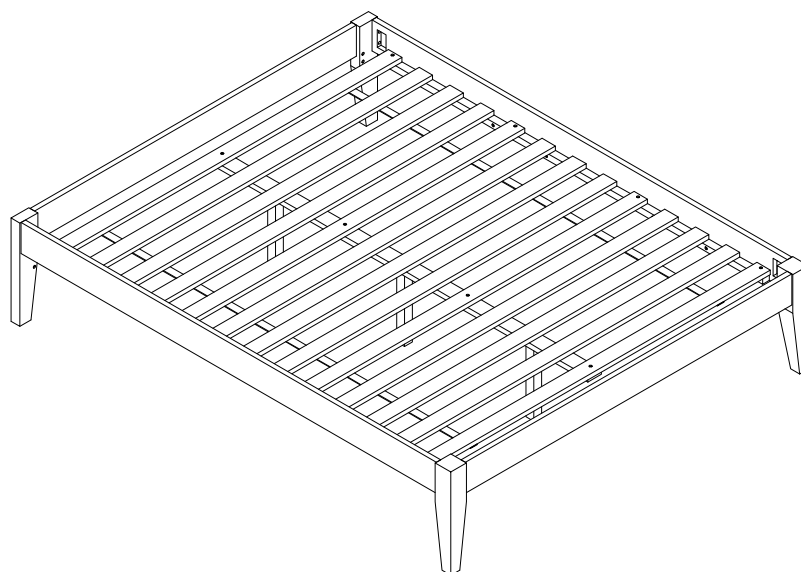


ASSEMBLY INSTRUCTIONS

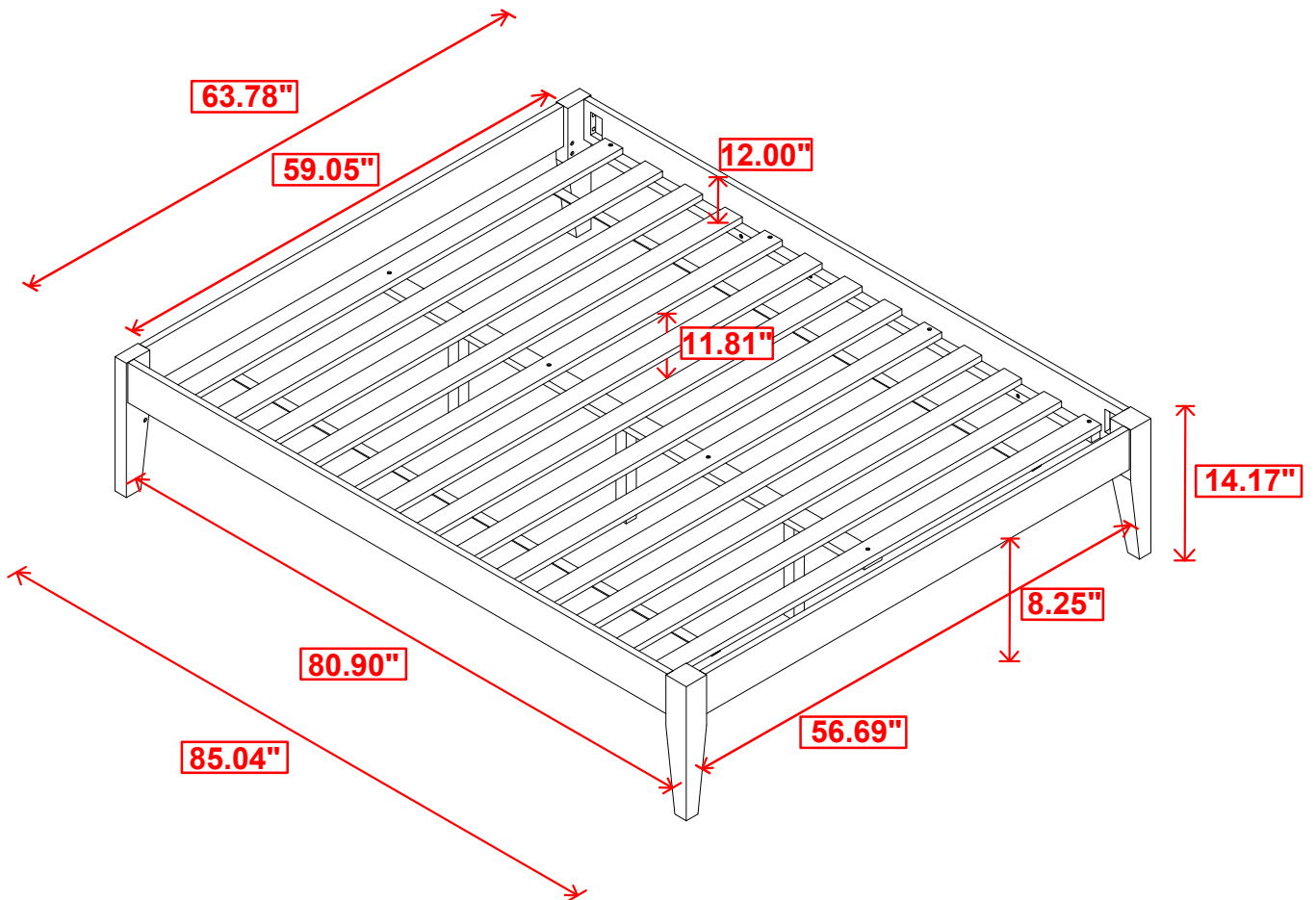
STEP 3



STEP 4 **COMPLETE**



INNER SIZE: 81-3/4" X 61-1/4"



Note: Dimension tolerance $\pm 5\%$