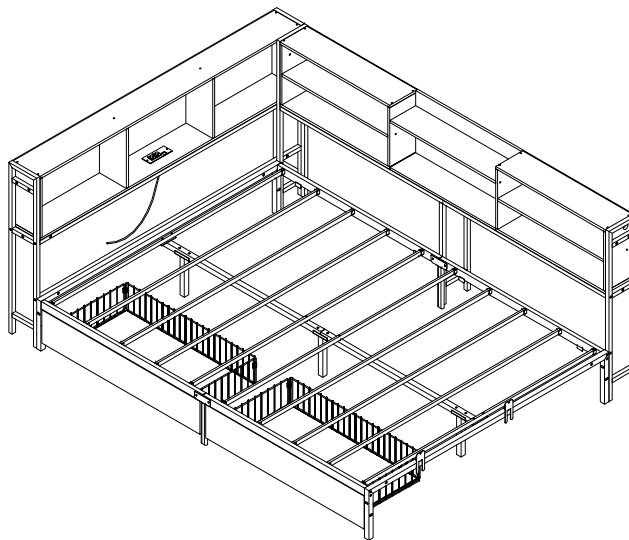


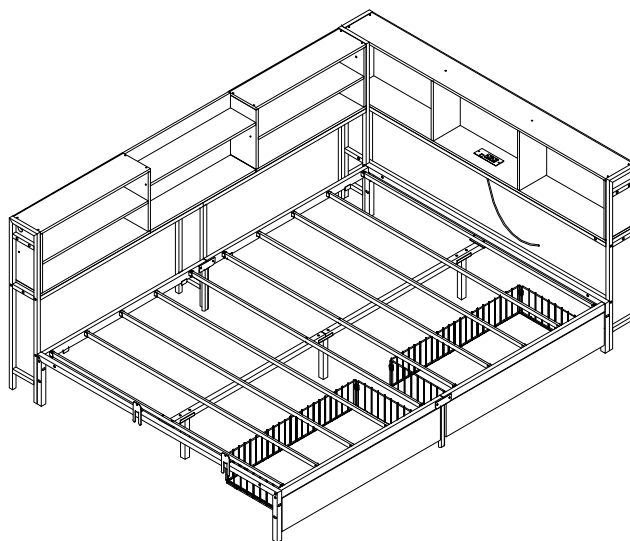
ASSEMBLY INSTRUCTIONS

128F

Installation guide **A** : The page number corresponding to the installation procedure is Page 5-17. The head of the bed is on the left side facing the bed (as the figure shows) .



Installation guide **B** : The page number corresponding to the installation procedure is Page 18-30. The head of the bed is on the right side facing the bed (as the figure shows) .



DEAR CUSTOMER,

Caution:

1. Please read all instructions before assembly and check the carton for any parts that may have come loose during shipment. It is recommended to use two or more persons during the assembly process.
2. Please do not discard any packaging before you have checked all the parts and fittings are included. If for any reason this product needs to be returned it must be returned packed in its original packaging.
3. Assemble this product on a flat and clean surface to avoid scratching.
4. Please don't tighten the screws completely and go back later for a final tightening of all the screws after pieces are aligned with each other !



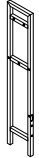
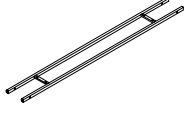
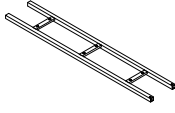
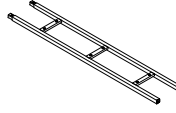


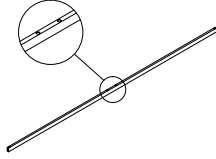
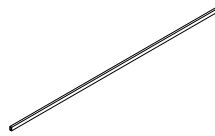
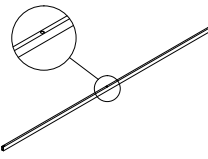
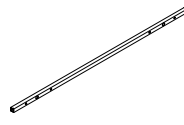
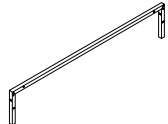
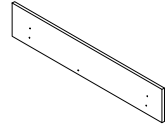
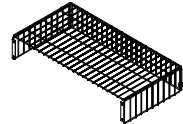
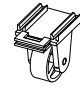

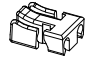
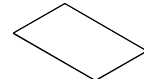
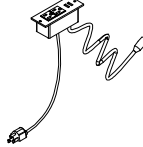
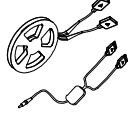
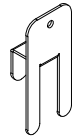
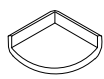
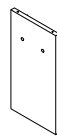
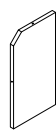
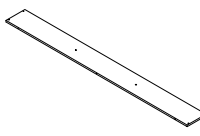
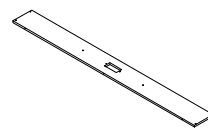
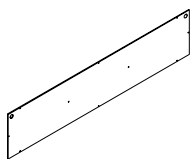


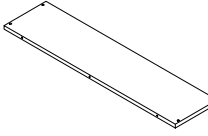
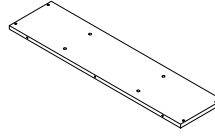
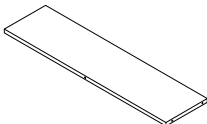
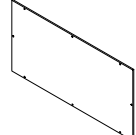
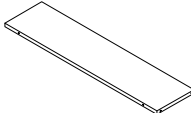
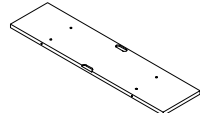
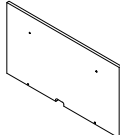
You can choose mobile control or RF Remote Control
First, pull out the plastic card on the RF Remote Controller and power on the RF Remote Controller.

Mobile phone control steps:


1. Connect LED Lamp and RF RGB Controller.
2. Plug in the Adaptor Power supply.
3. Scan the RF RGB Controller QR code on the controller and download the software Lotus Lantern.
4. Turn on the Bluetooth function of the mobile phone and search for Bluetooth pairing "Trinoes".
5. Open the "Lotus Lantern" APP and switch colors change.
Click the music switch to realize the skip mode of different LED lights.
Press the timing switch to realize the automatic light off function, etc.

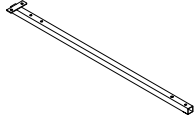
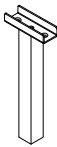

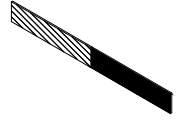
Parts List

 Pls make sure all the accesories are complete!

				
① 4PCS	② 1PC	③ 1PC	④ 1PC	⑤ 1PC
				
⑥ 2PCS	⑦ 2PCS	⑧ 6PCS	⑨ 2PCS	⑩ 1PC
				
⑪ 2PCS	⑫ 2PCS	⑬ 2PCS	⑭ 8PCS	⑮ 2PCS
				
⑯ 4PCS	⑰ 2PCS	⑱ 1PC	⑲ 1PC	⑳ 2PCS
				
㉑ 4PCS	㉒ 2PCS	㉓ 2PCS	㉔ 1PC	㉕ 1PC
				
㉖ 1PC	㉗ 2PCS	㉘ 2PCS	㉙ 2PCS	㉚ 2PCS
				
㉛ 2PCS	㉜ 2PCS	㉝ 1PC	㉞ 1PC	㉟ 1PC

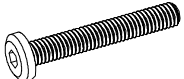

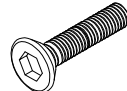


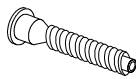


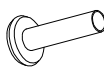
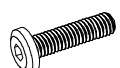
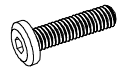

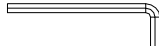
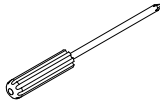
Parts List

 Pls make sure all the accesories are complete!

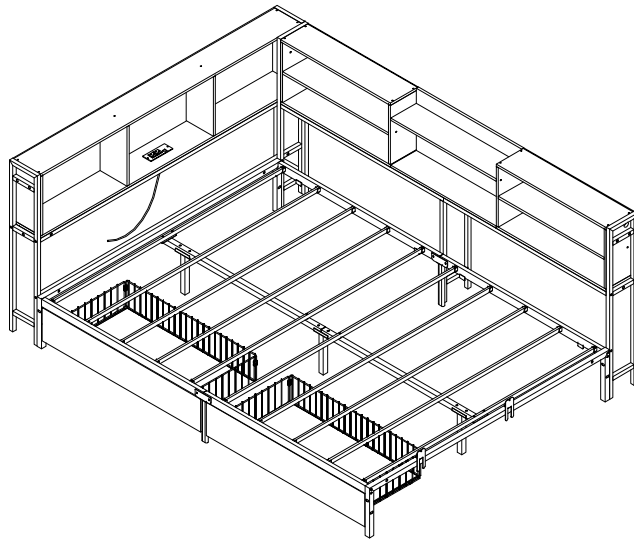
			
36 2PCS	37 3PCS	38 4PCS	39 2PCS

Hardware List

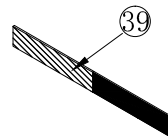
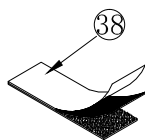
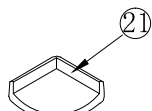
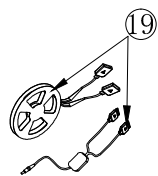
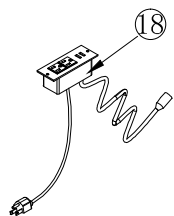
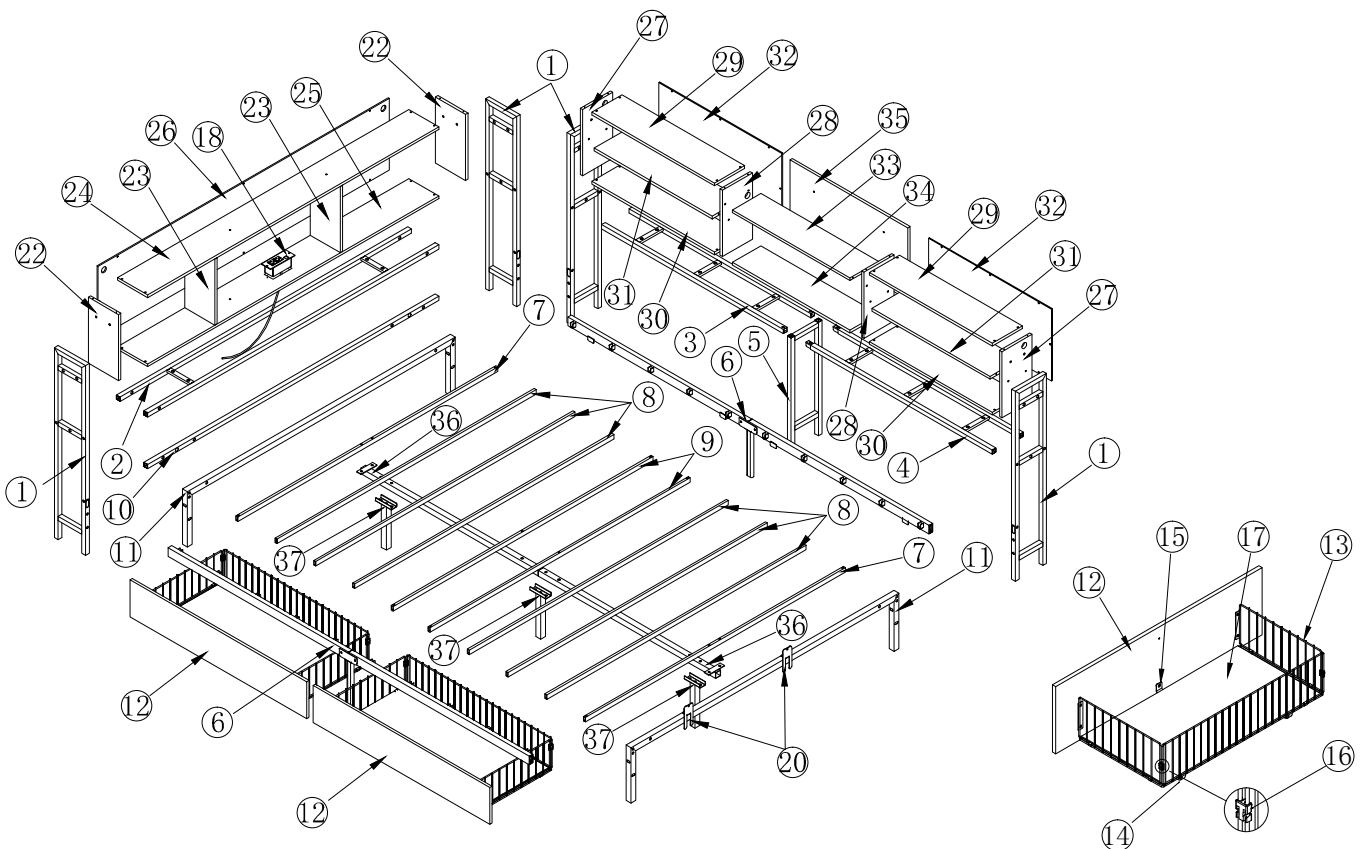
 Pls make sure all the accesories are complete!

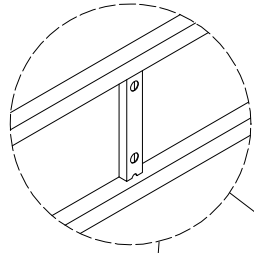
 M8*45mm	 φ3*12	 M6*40mm	 M6*18mm	 M6*10mm
A 8PCS	B 2PCS	C 4PCS	D 12PCS	E 10PCS
 φ5*35	 M5*25mm	 φ6	 M6*20mm	 M6*35mm
F 76PCS	G 8PCS	H 6PCS	I 6PCS	J 25PCS
 M6*30mm	 S3	 S4		
K 9PCS	L 1PC	M 2PCS		1PC

Installation guide A--Page 5-17

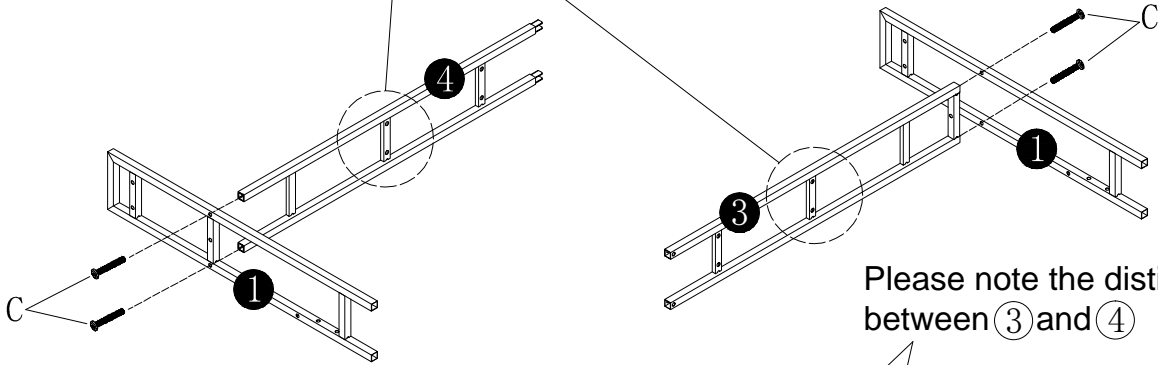


The head of the bed is on the left side facing the bed (as the figure shows) .

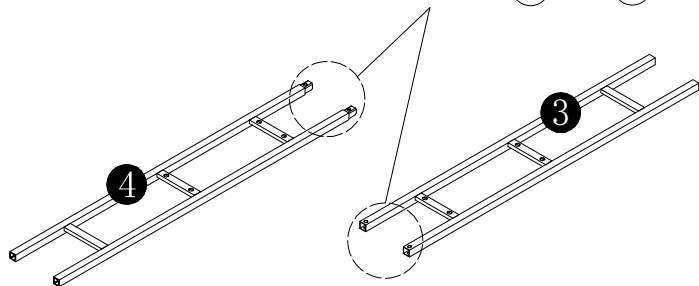




Pay attention to distinguish between the two sides.

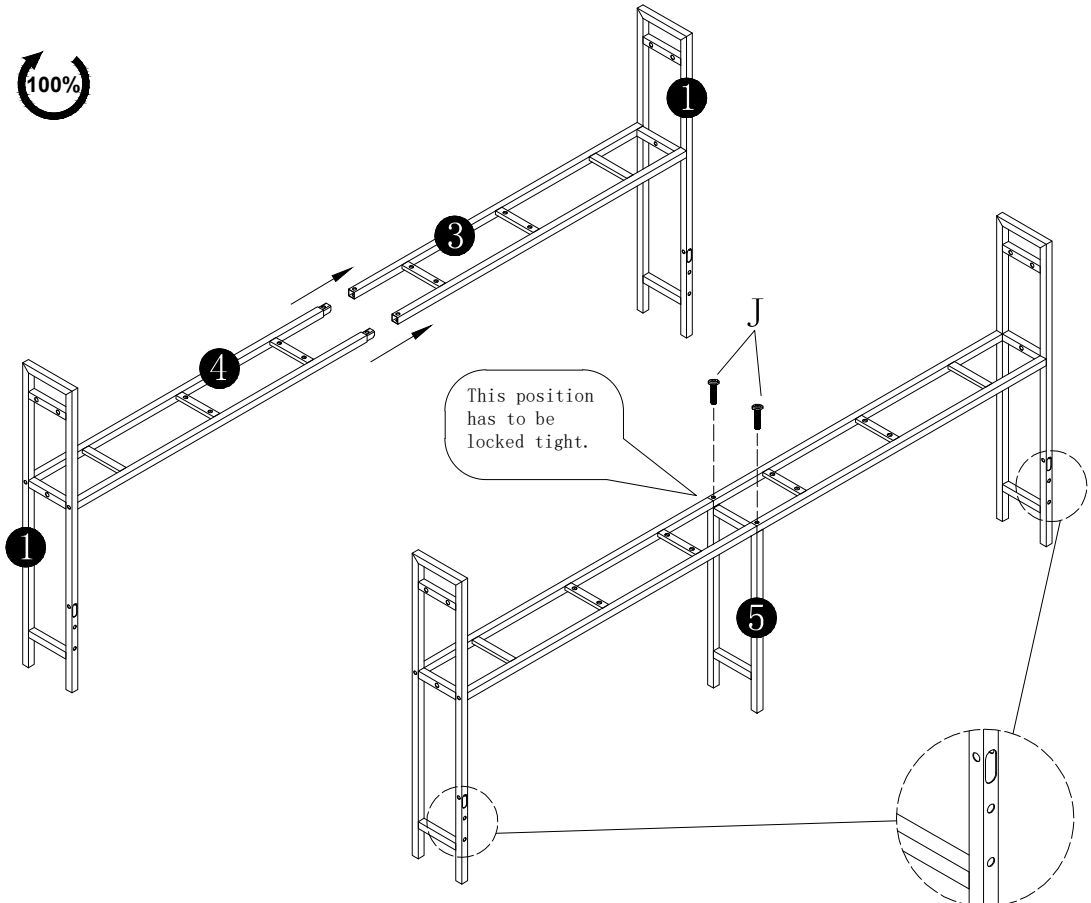


Please note the distinction between ③ and ④



M6*40mm
C 4 PCS

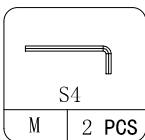
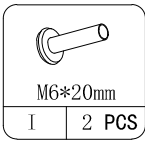
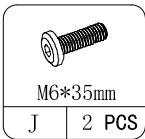
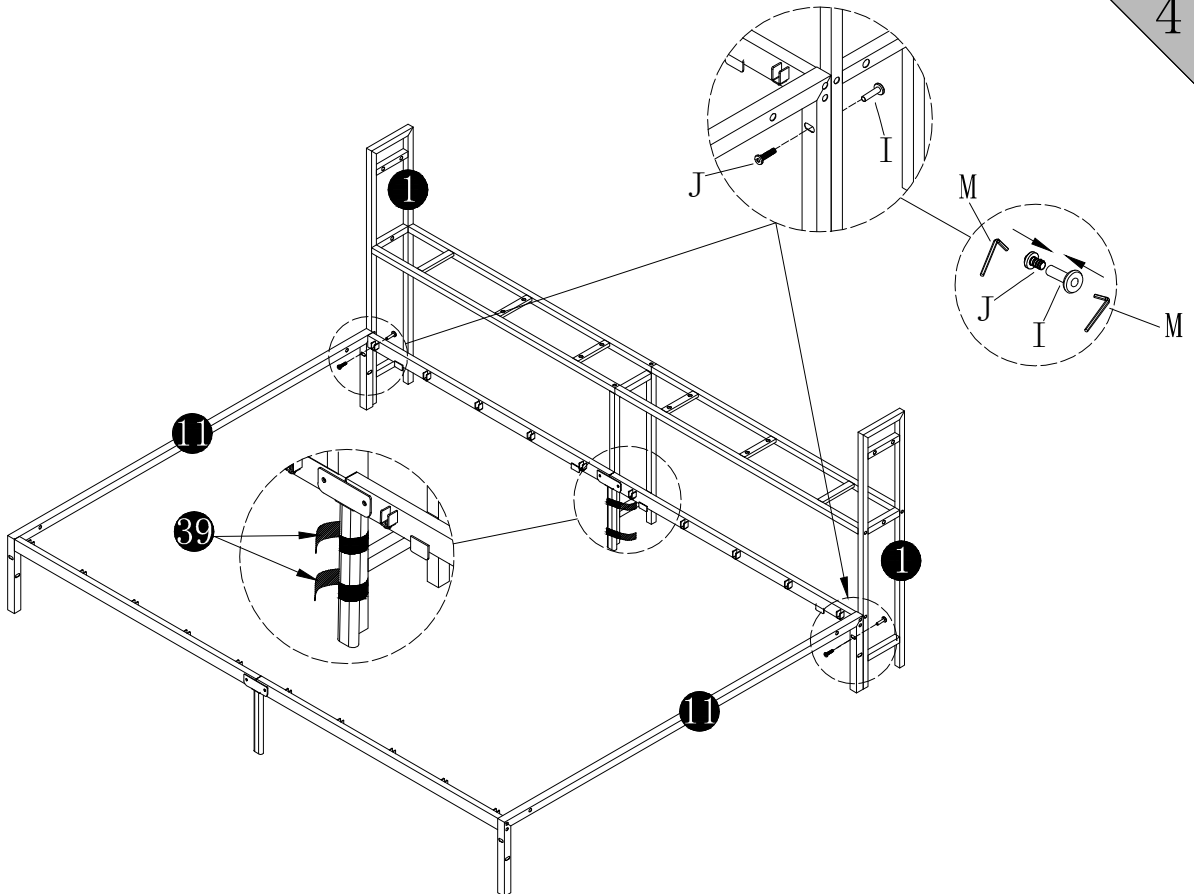
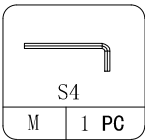
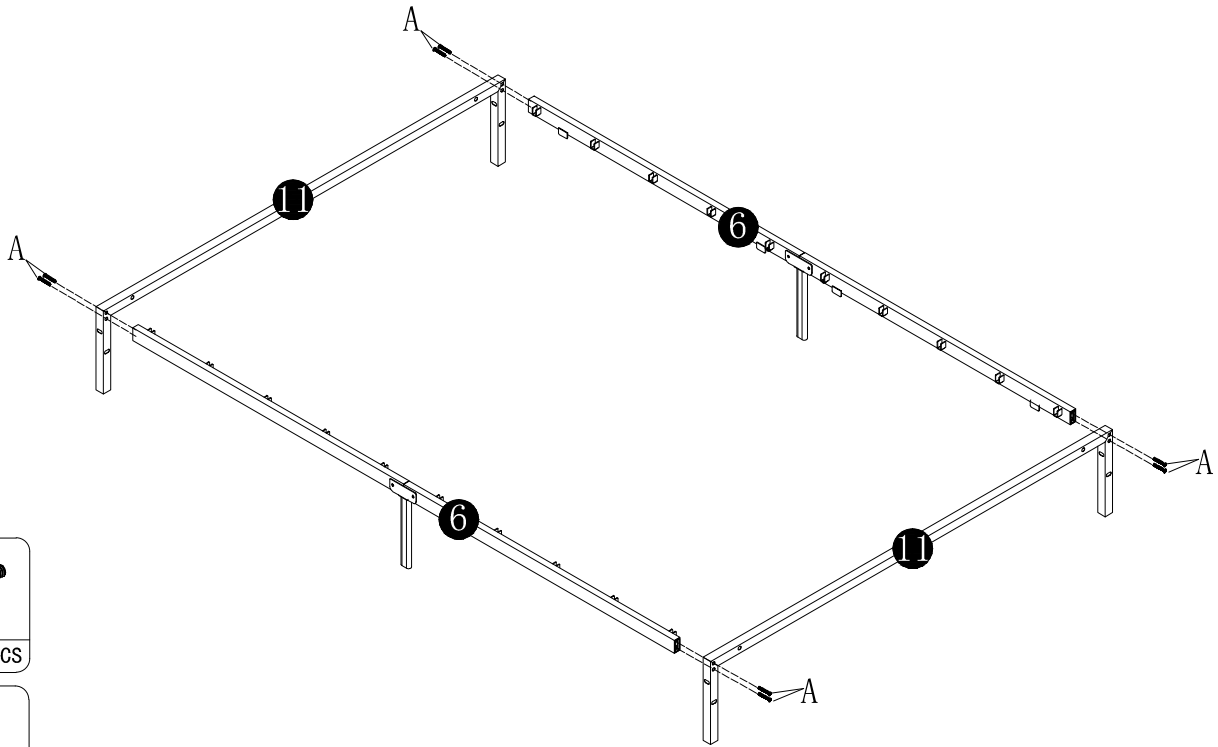
S4
M 1 PC



This position has to be locked tight.

M6*35mm
J 2 PCS

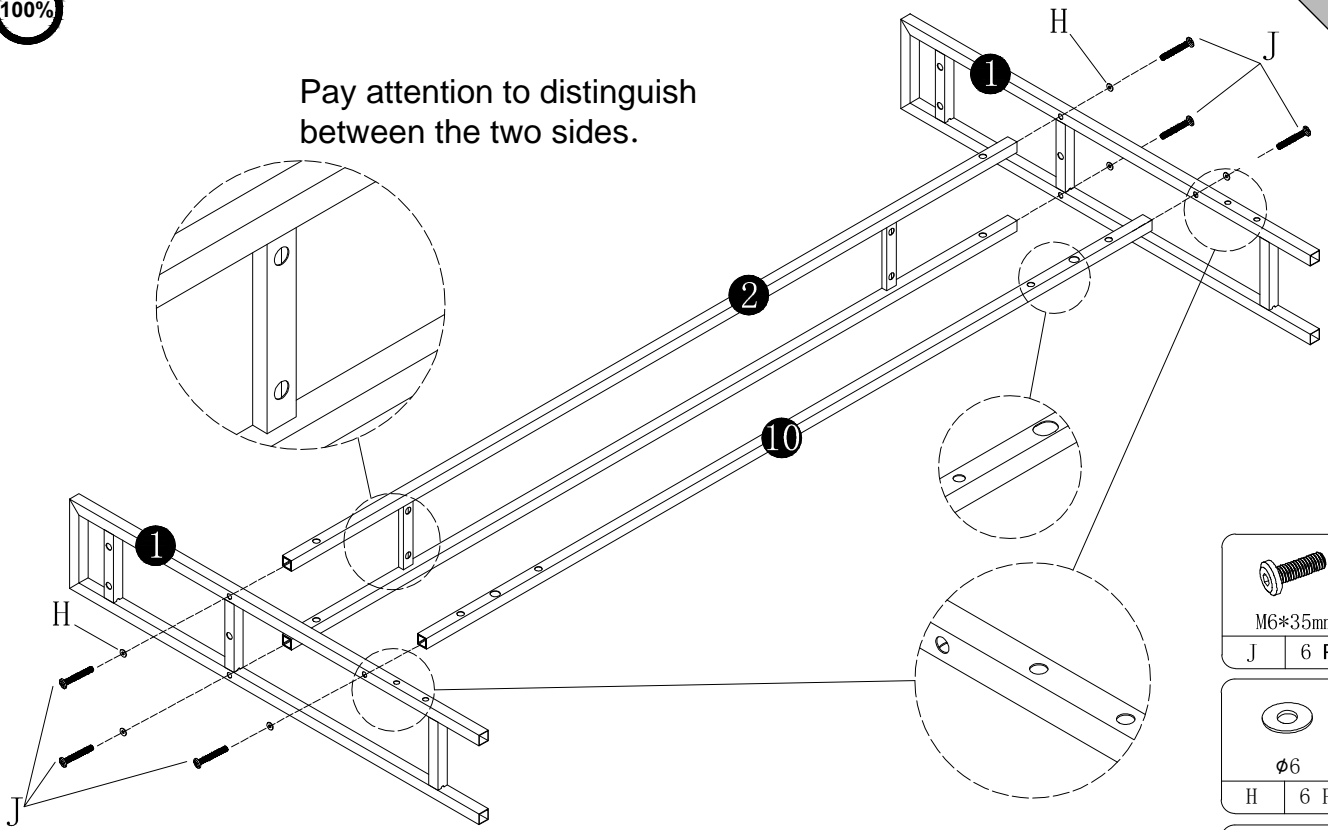
S4
M 1 PC






100%

5

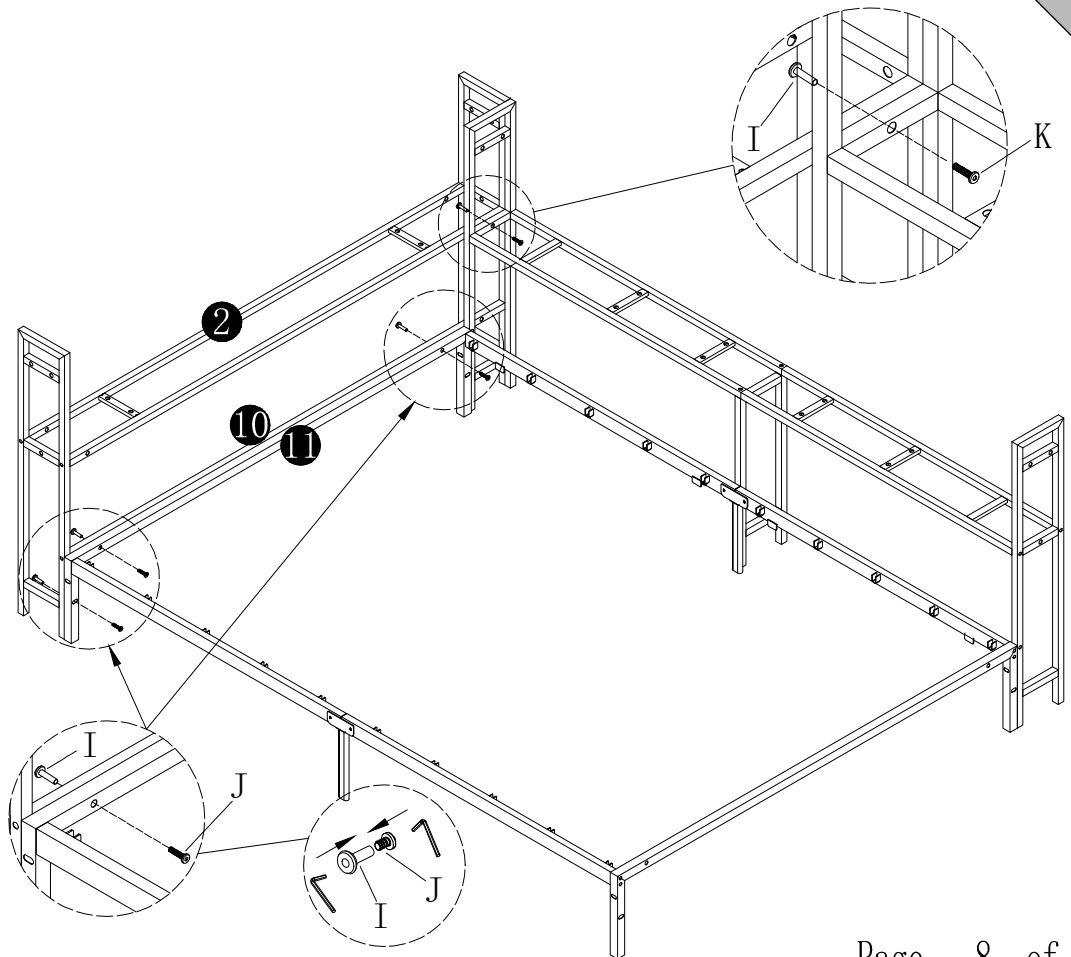
Pay attention to distinguish between the two sides.

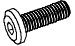





	M6*35mm
J	6 PCS
	φ6
H	6 PCS
	S4
M	1 PC

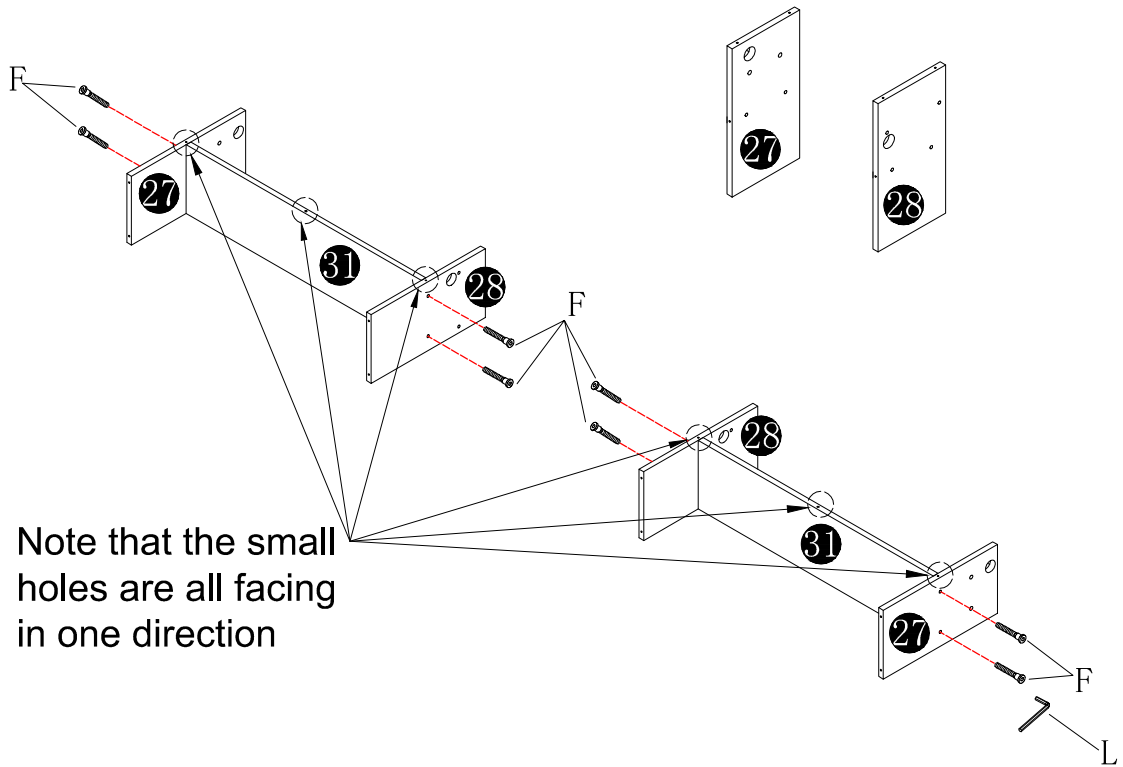
Pay attention to the orientation of the hole position

6

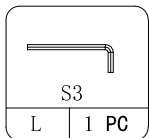
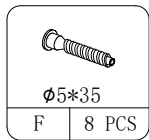


	M6*30mm
K	1 PC
	M6*35mm
J	3 PCS
	M6*20mm
I	4 PCS
	S4
M	2 PCS

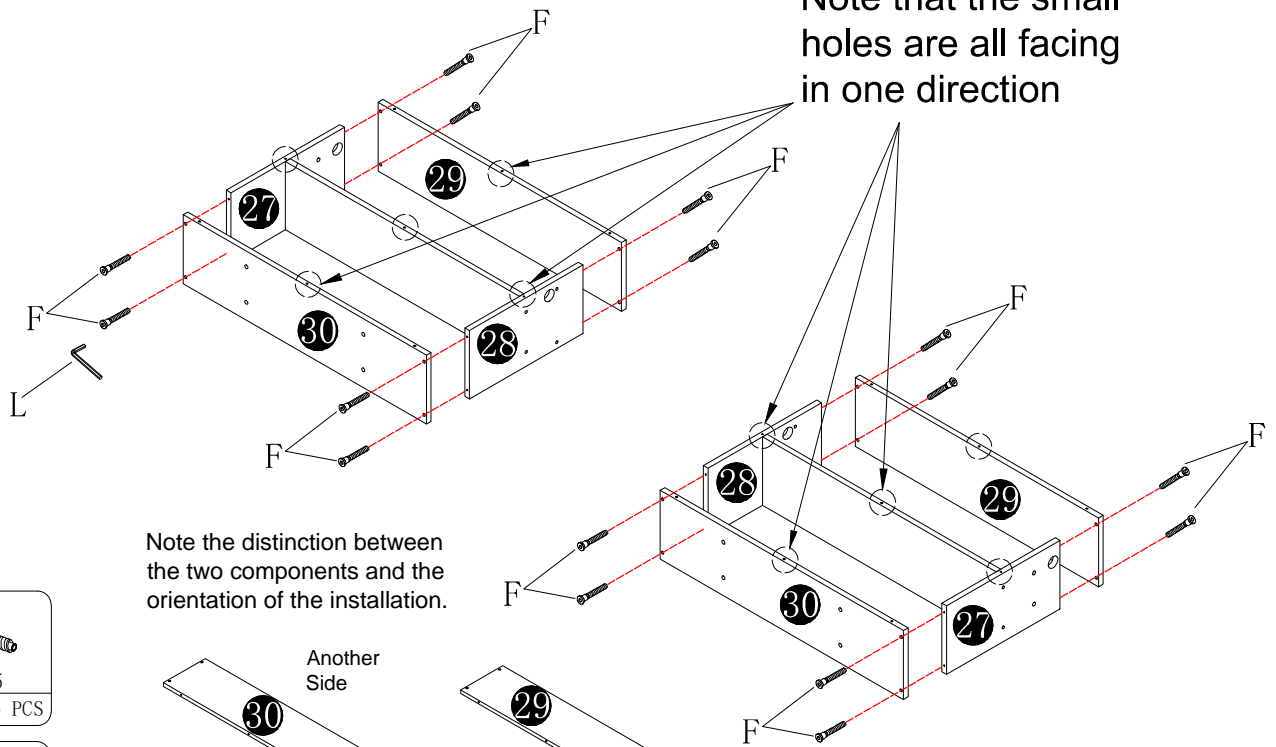
Note the distinction between the two components and the orientation of the installation.



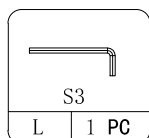
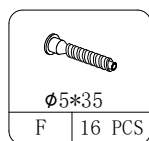
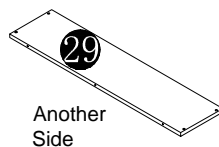
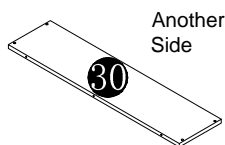
Note that the small holes are all facing in one direction

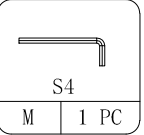
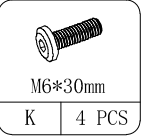
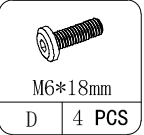
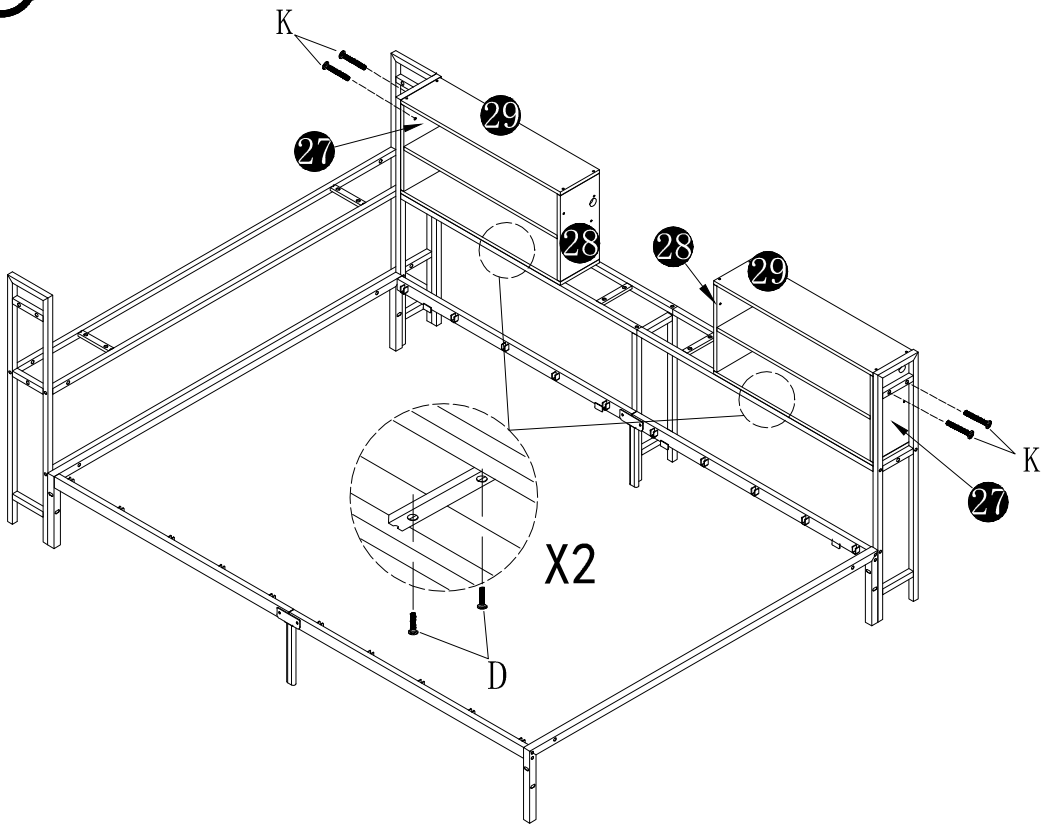
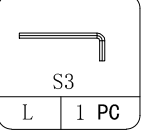
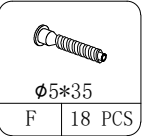
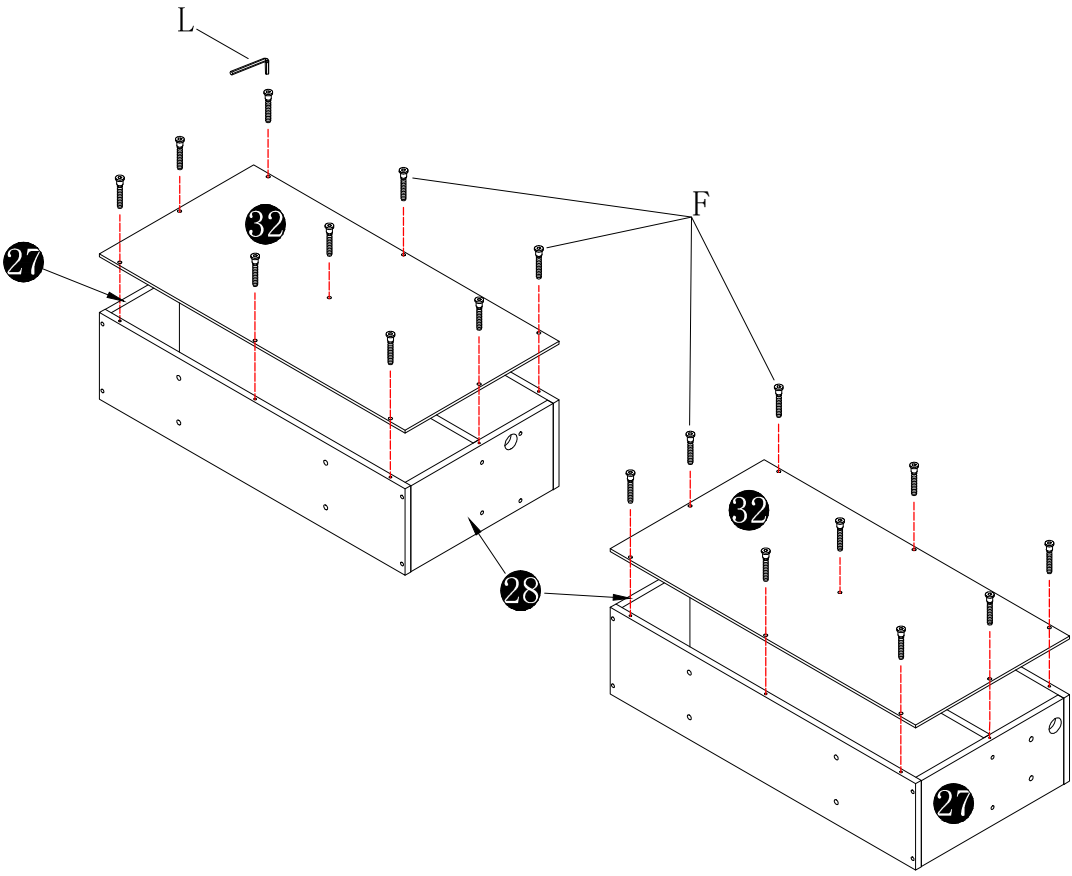


Note that the small holes are all facing in one direction

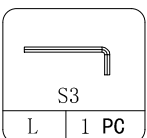
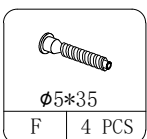
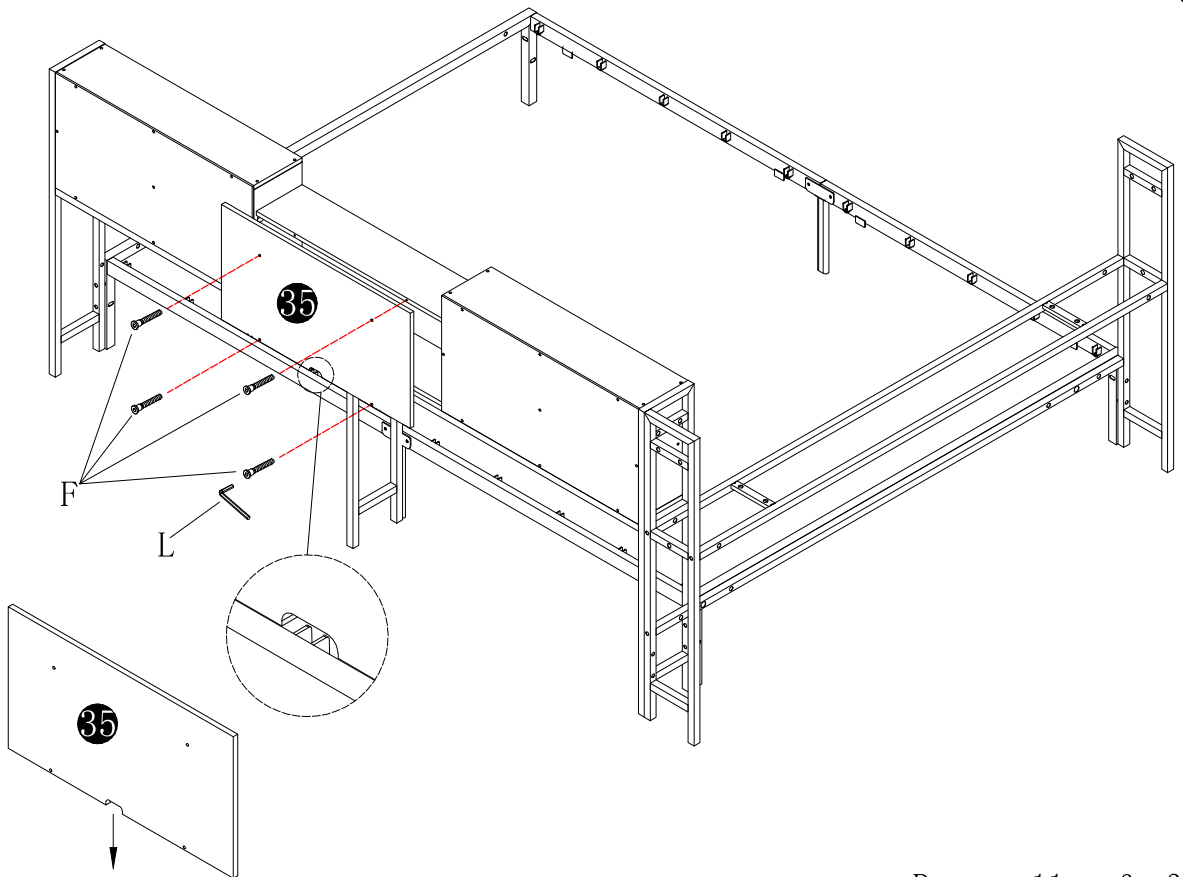
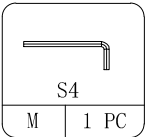
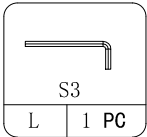
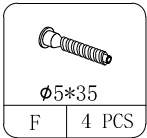
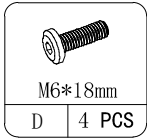
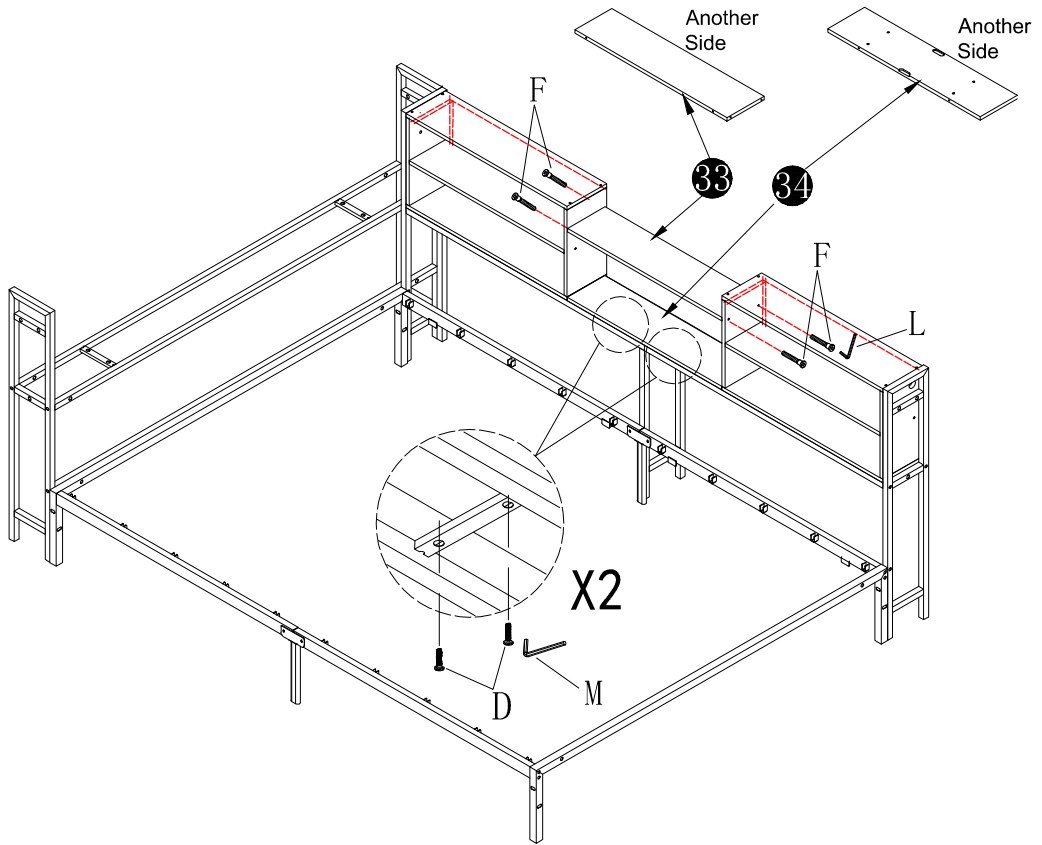


Note the distinction between the two components and the orientation of the installation.

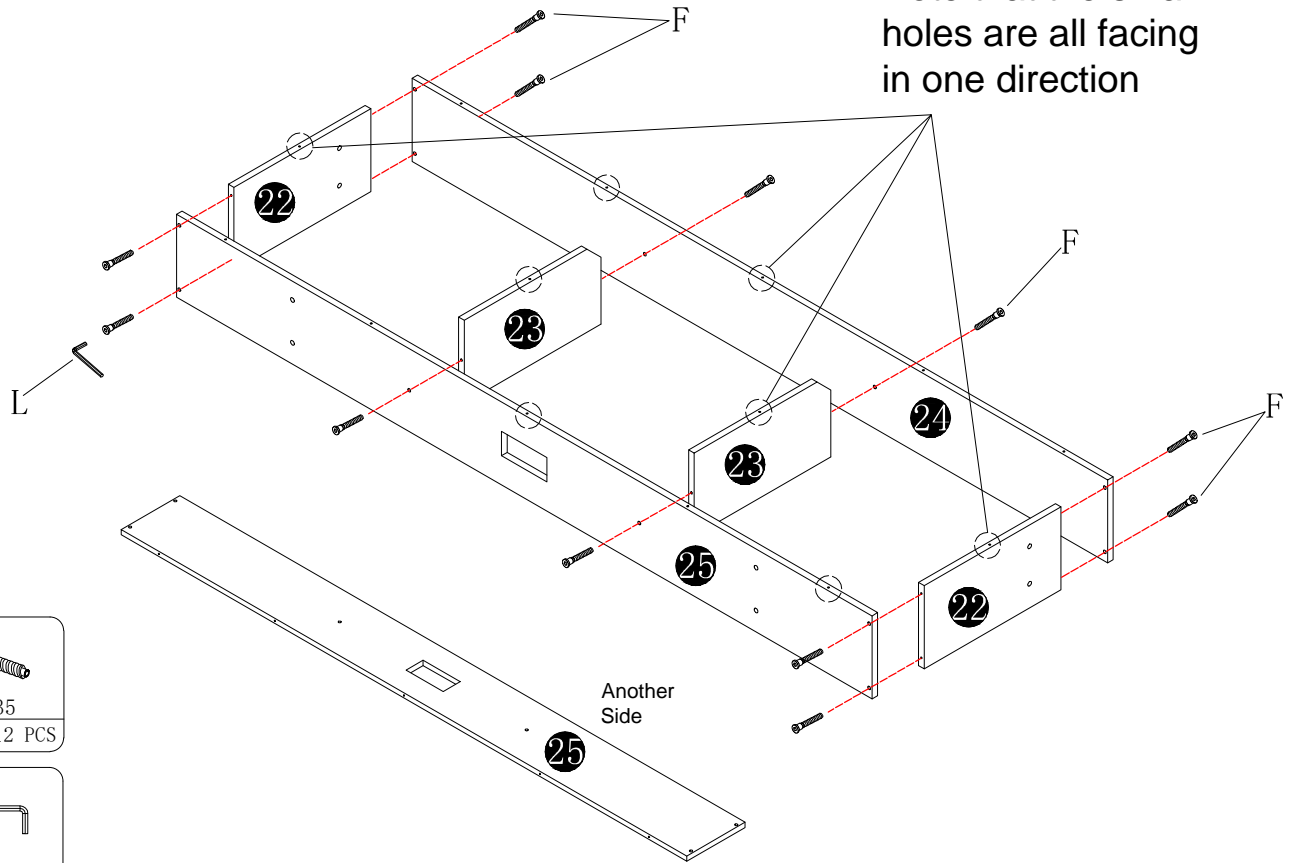




Note the distinction between the two components and the orientation of the installation.

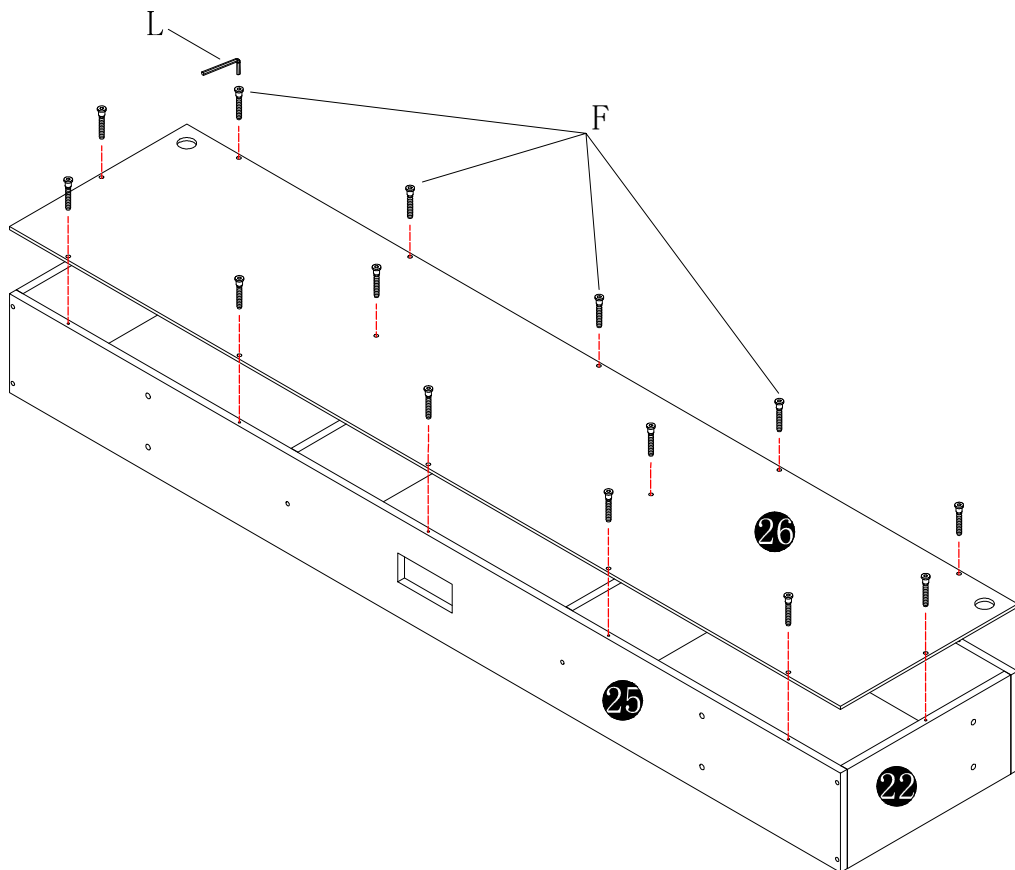


Note that the small holes are all facing in one direction



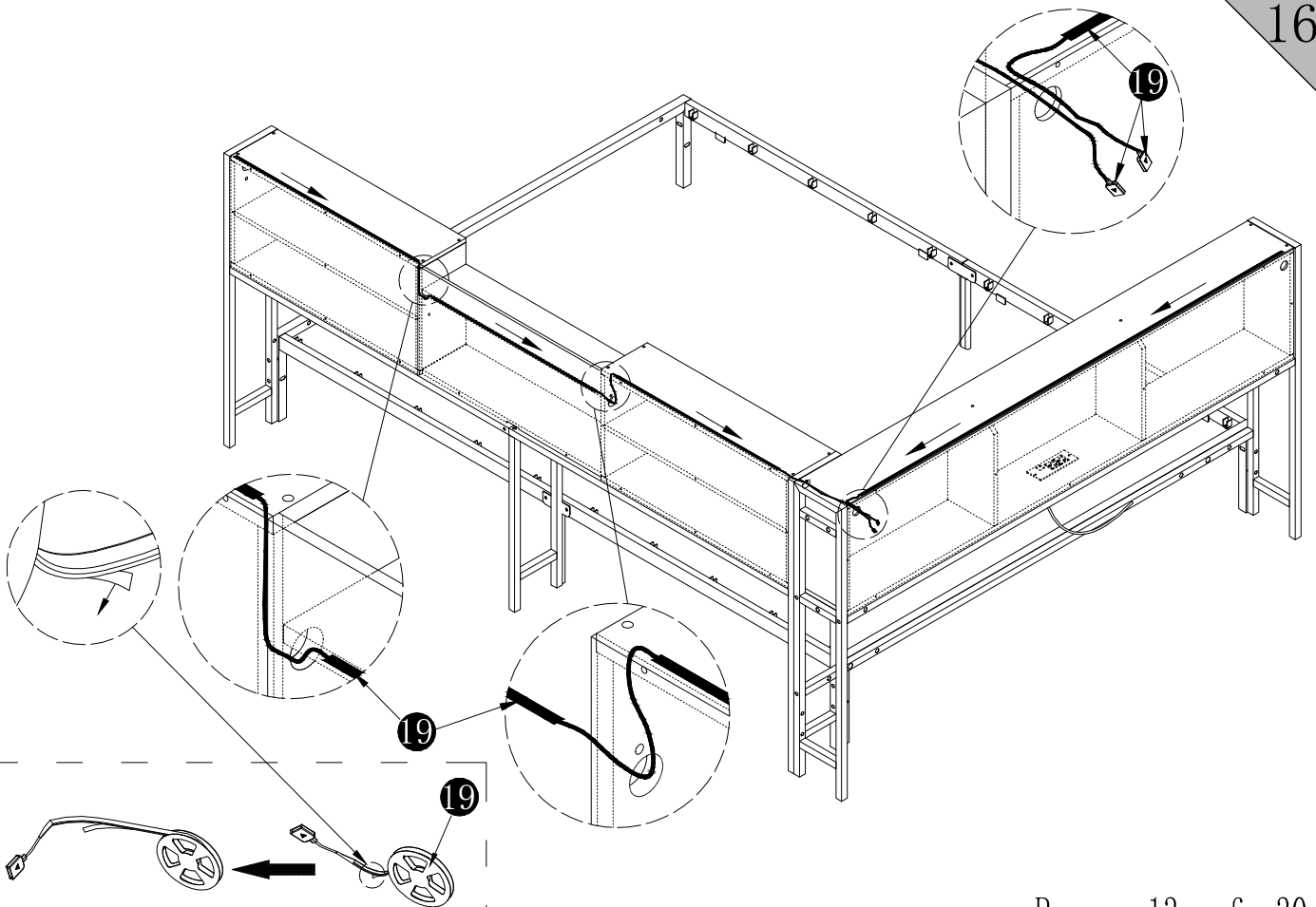
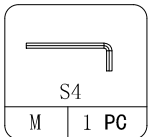
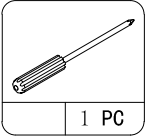
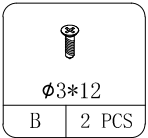
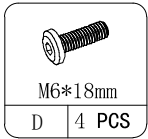
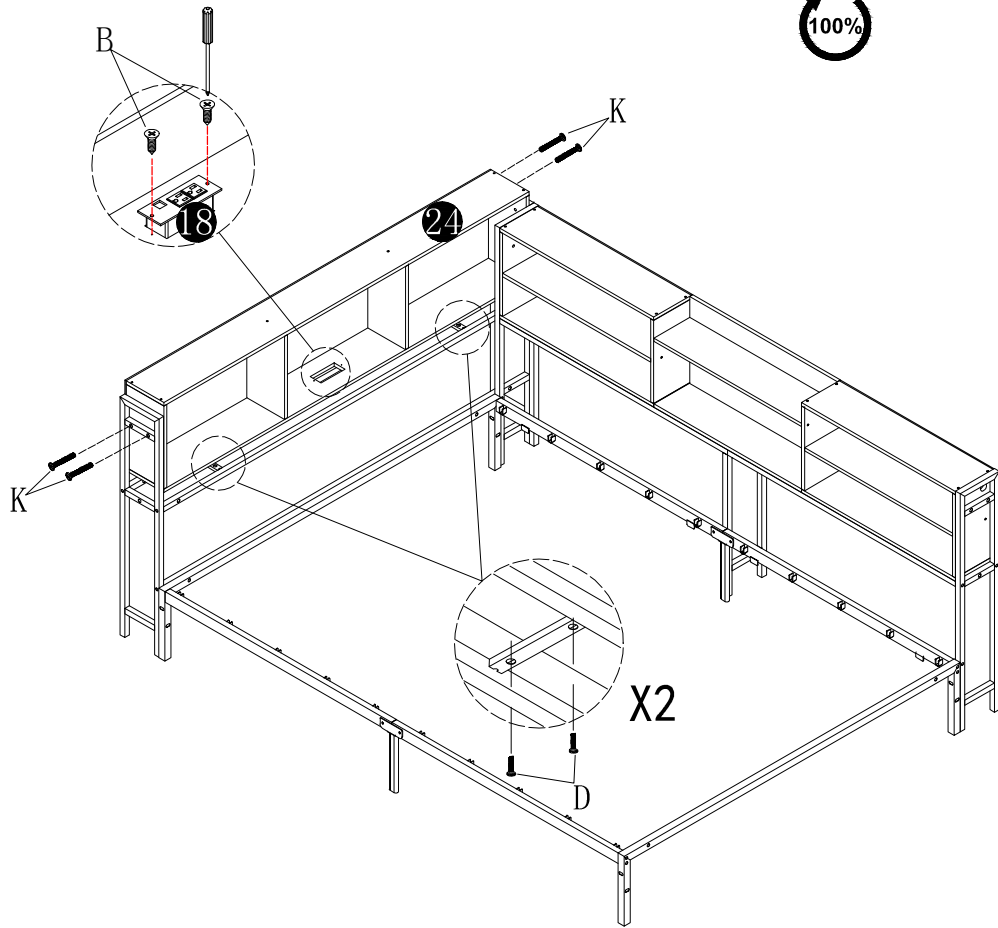
ø5*35	
F	12 PCS

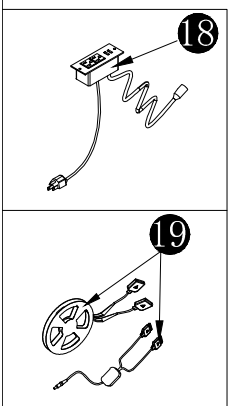
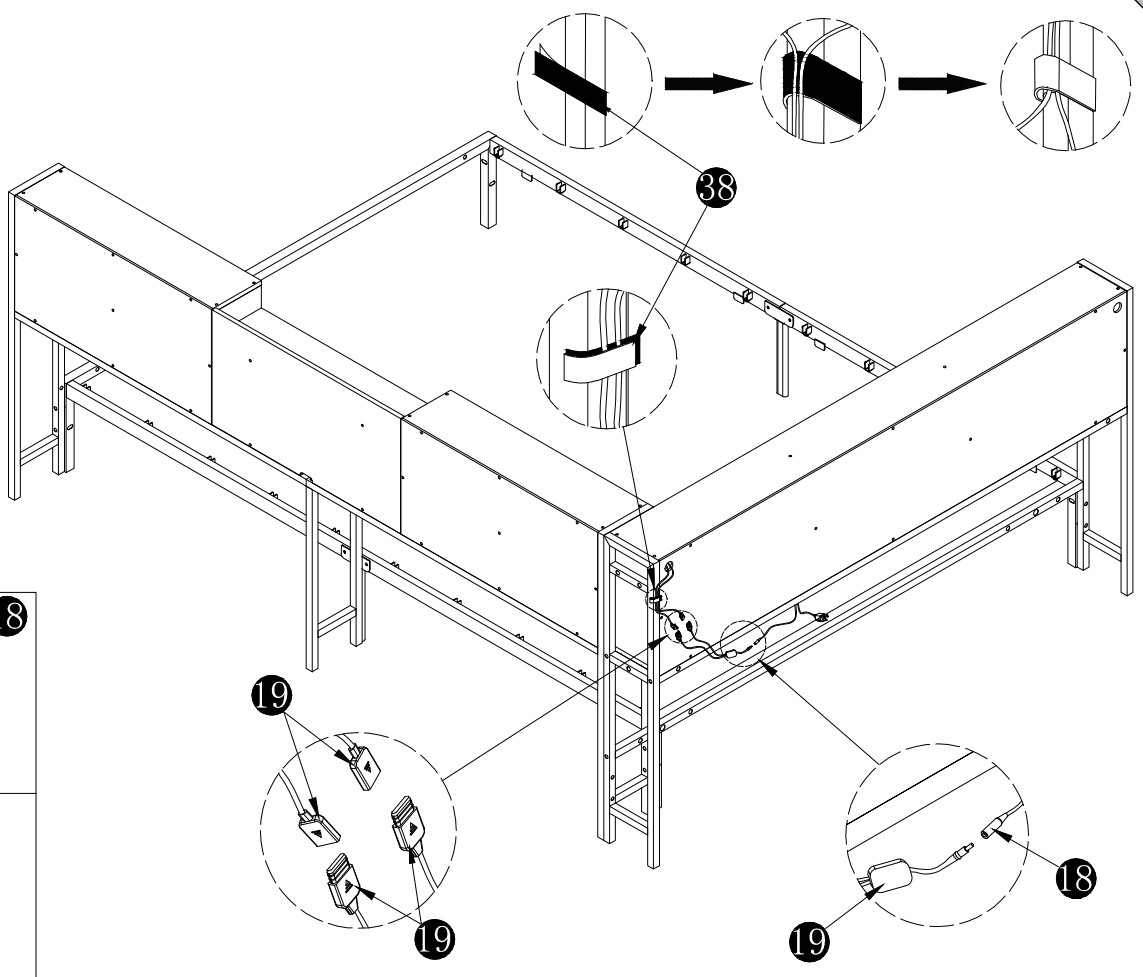
S3	
L	1 PC



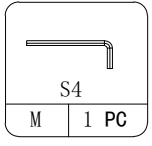
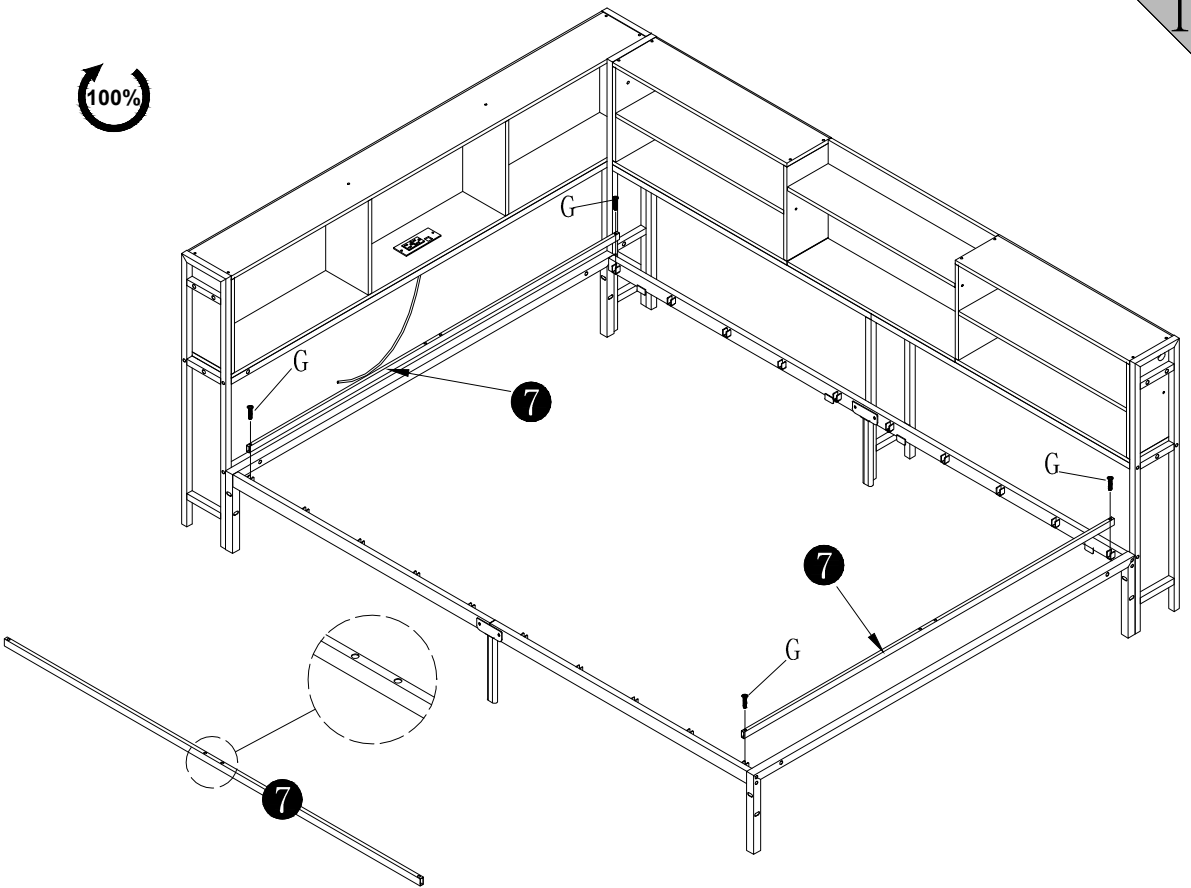
ø5*35	
F	14 PCS

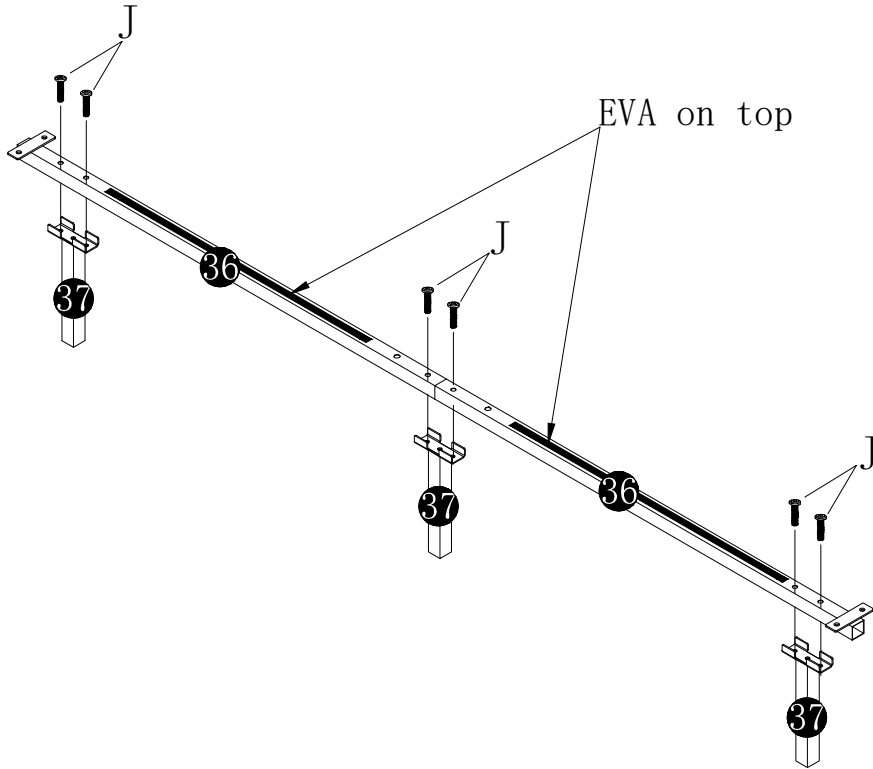
S3	
L	1 PC



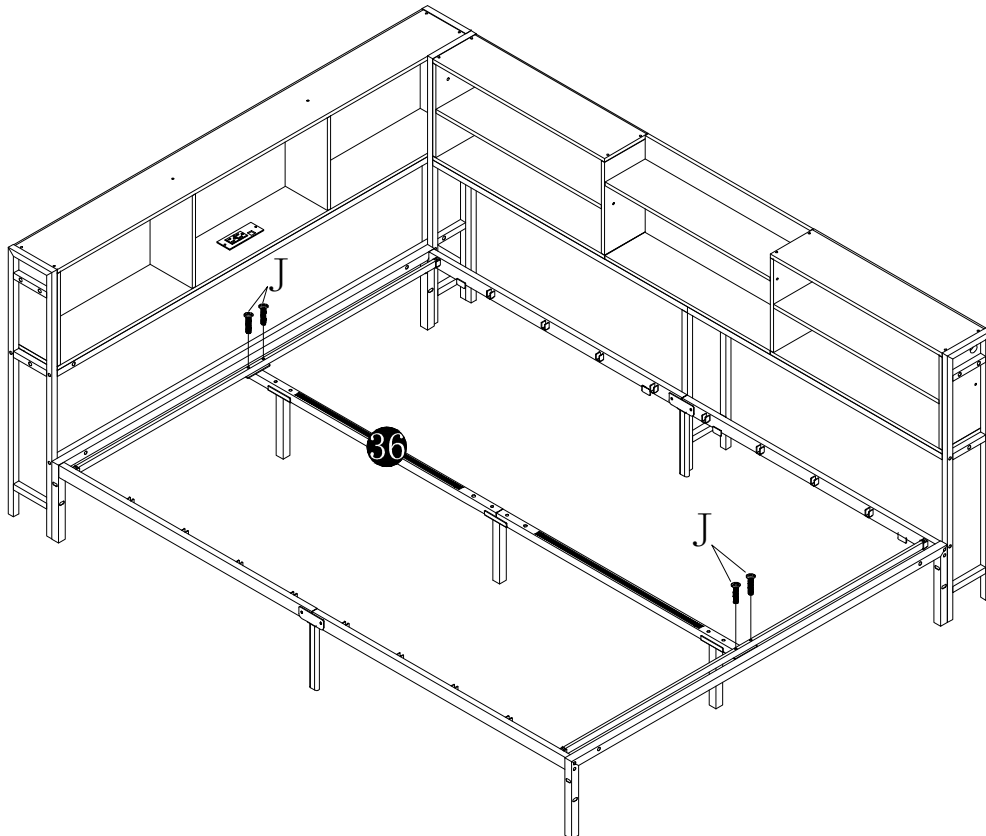


100%

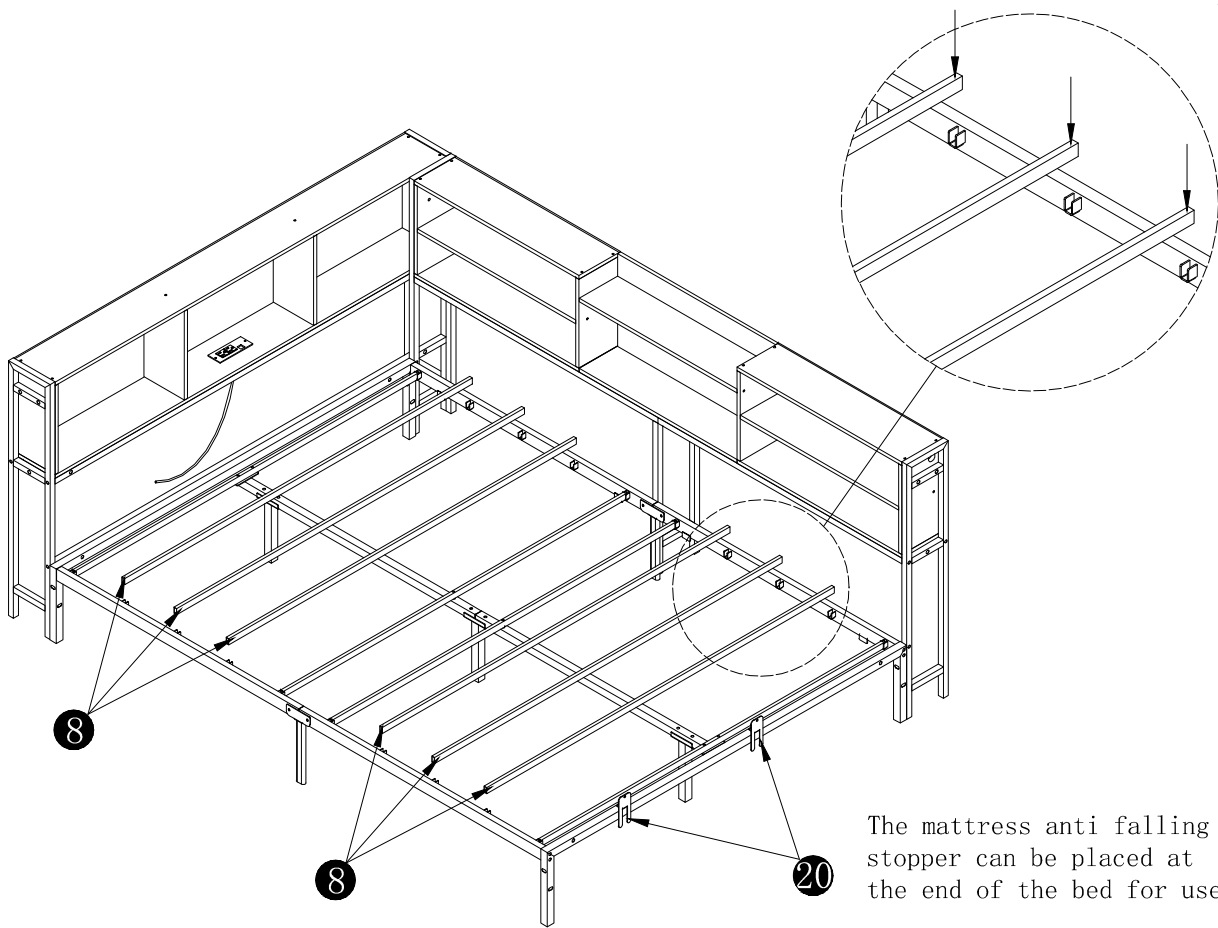
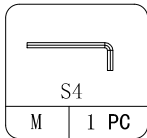
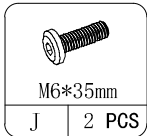
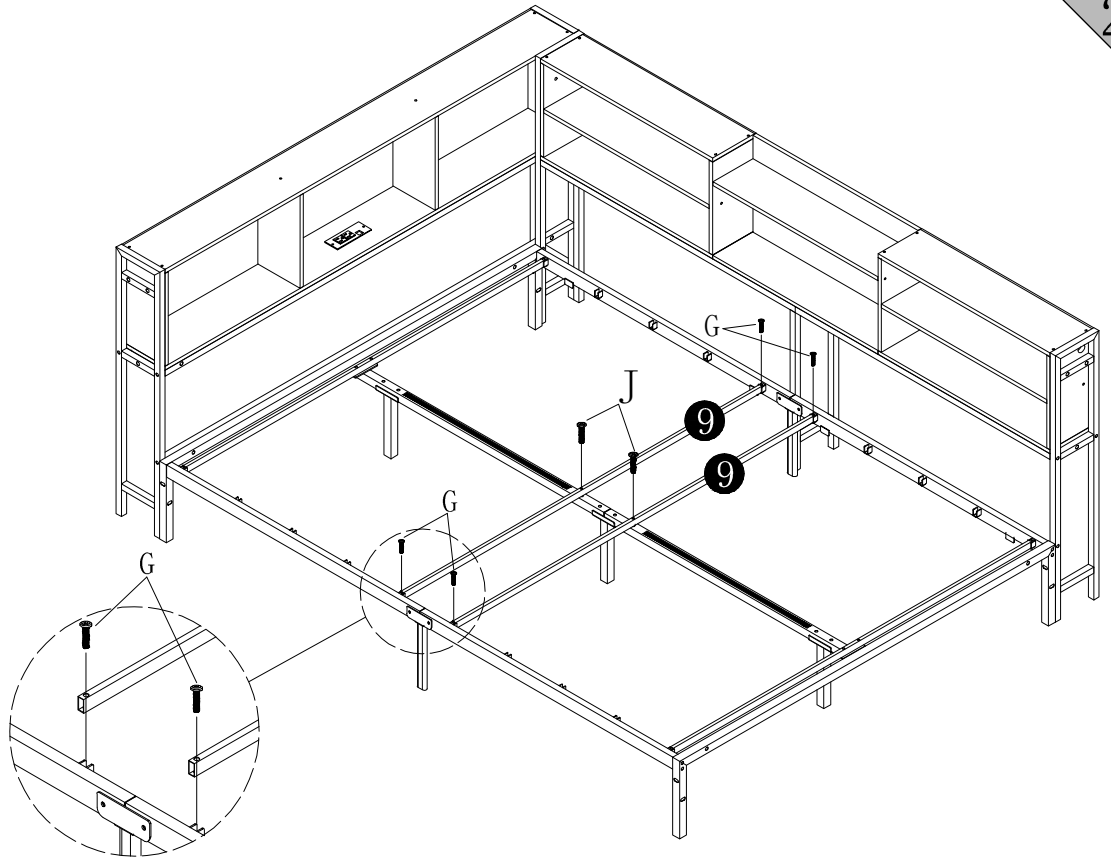




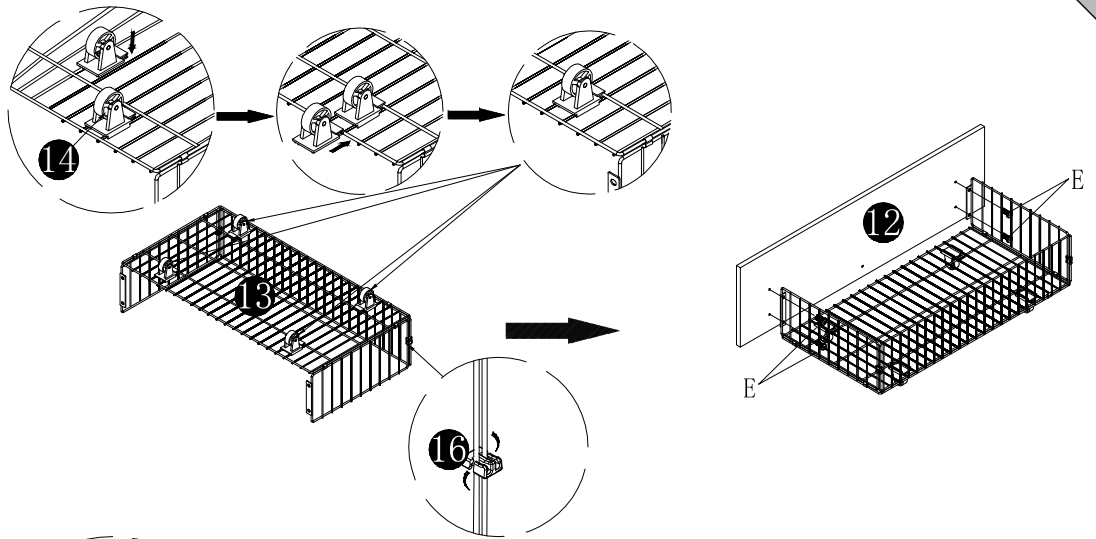
M6*35mm	
J	6 PCS
S4	
M	1 PC





M6*35mm	
J	4 PCS
S4	
M	1 PC

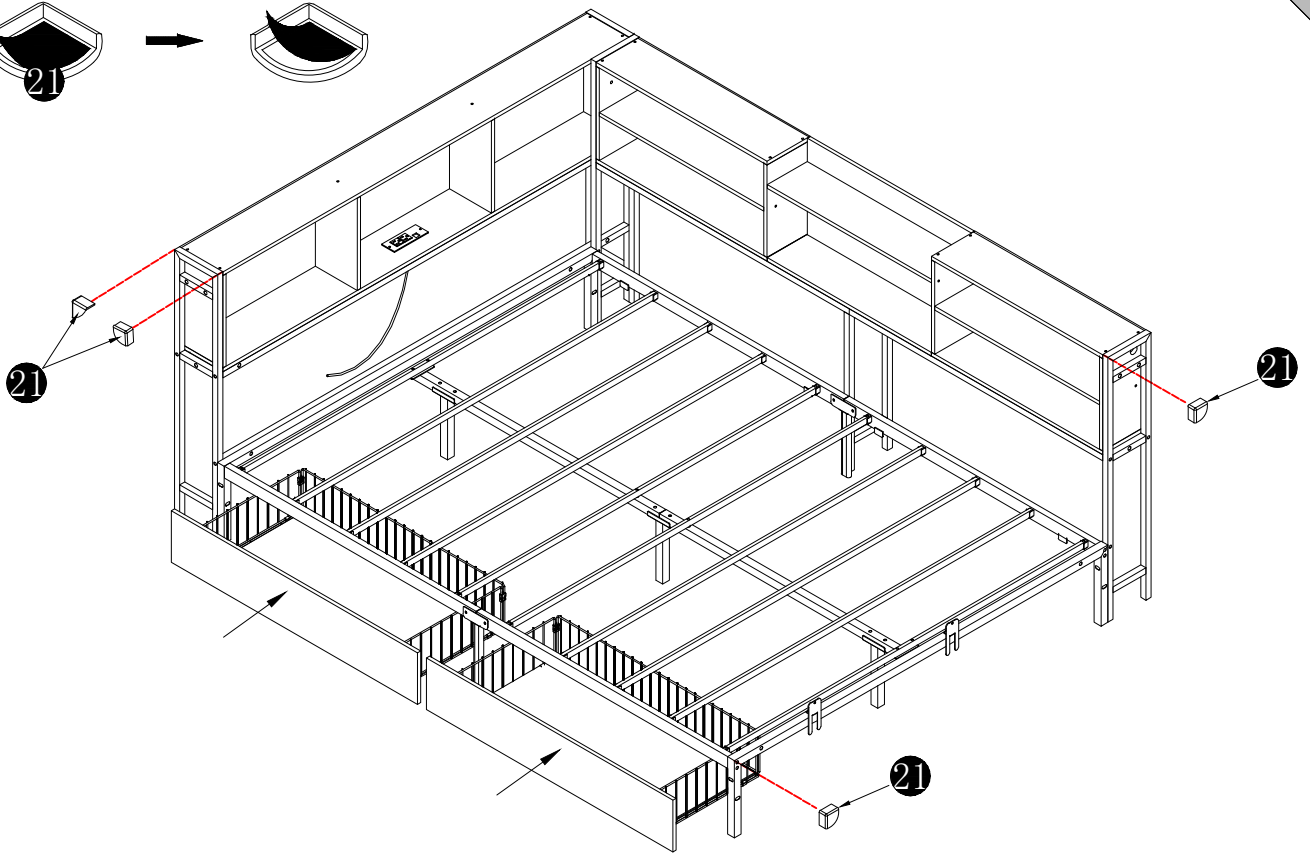
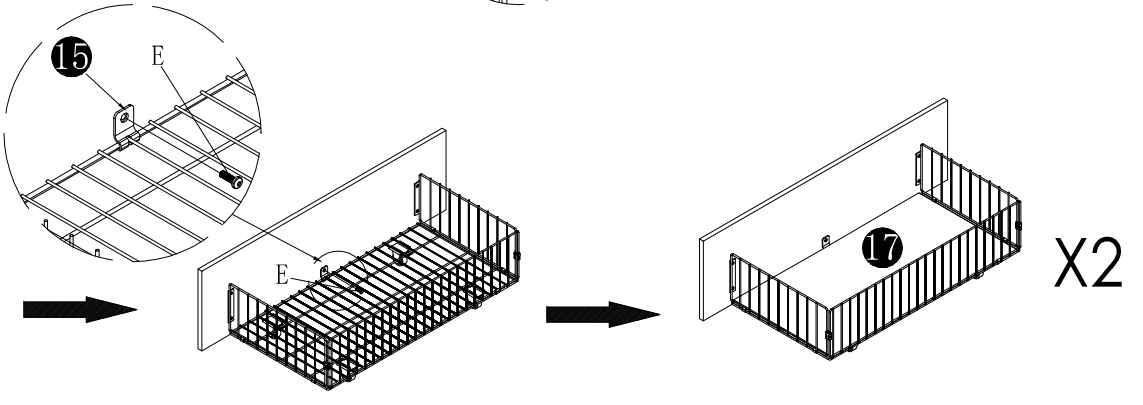


The mattress anti falling stopper can be placed at the end of the bed for use.

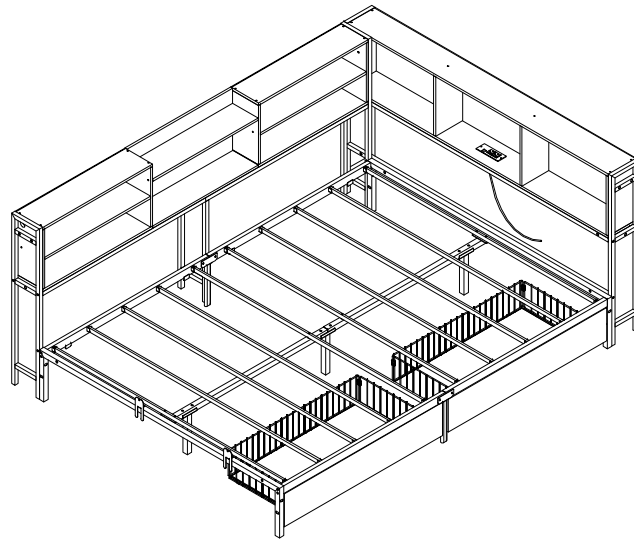


	M6*10mm
E	10 PCS

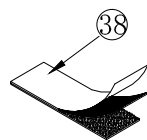
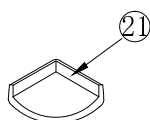
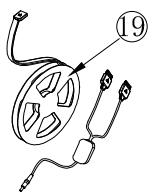
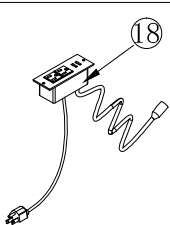
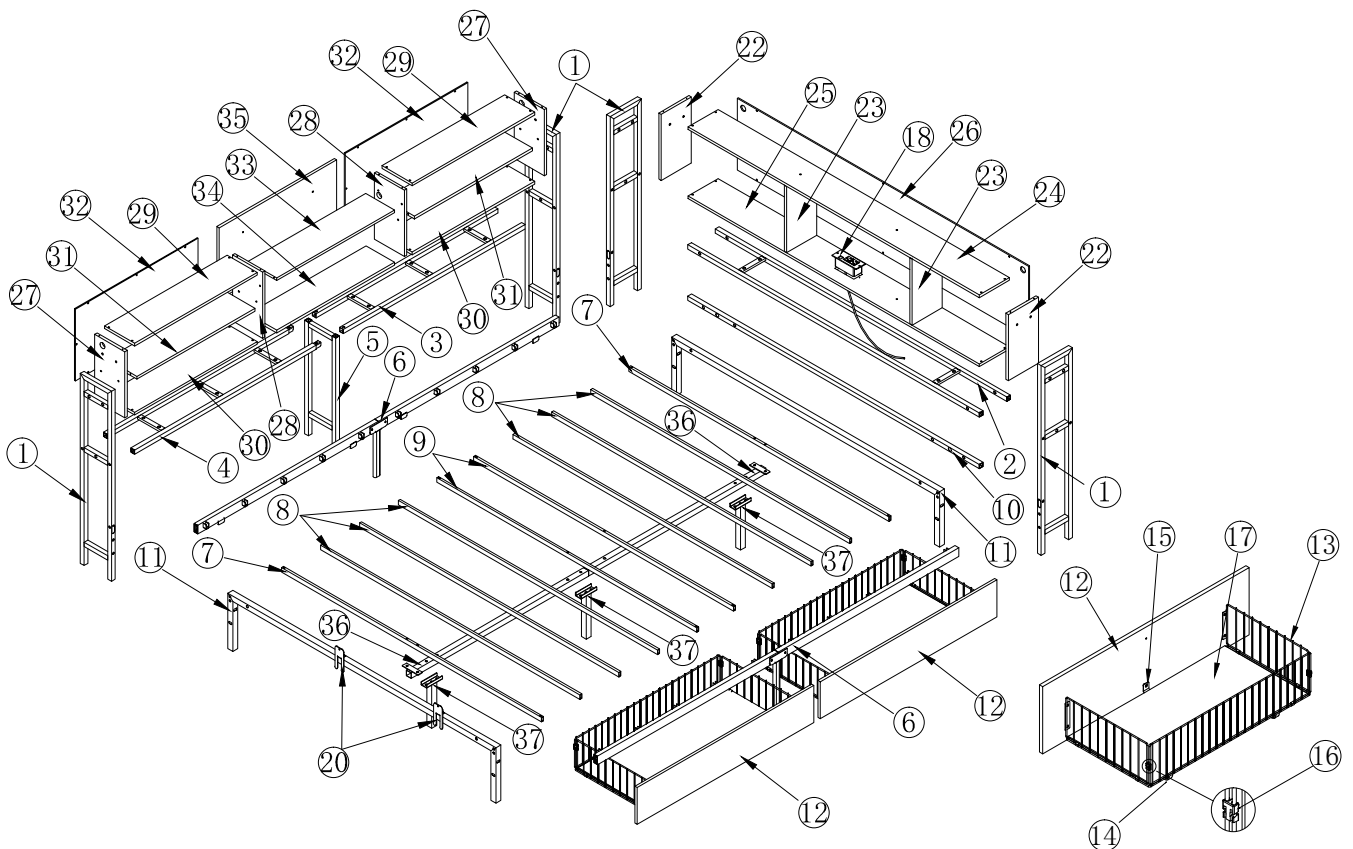
	S4
M	1 PC

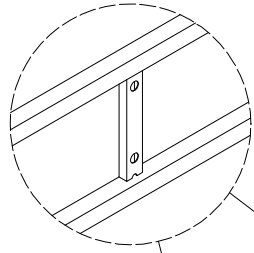


Installation guide A--Page 18-30

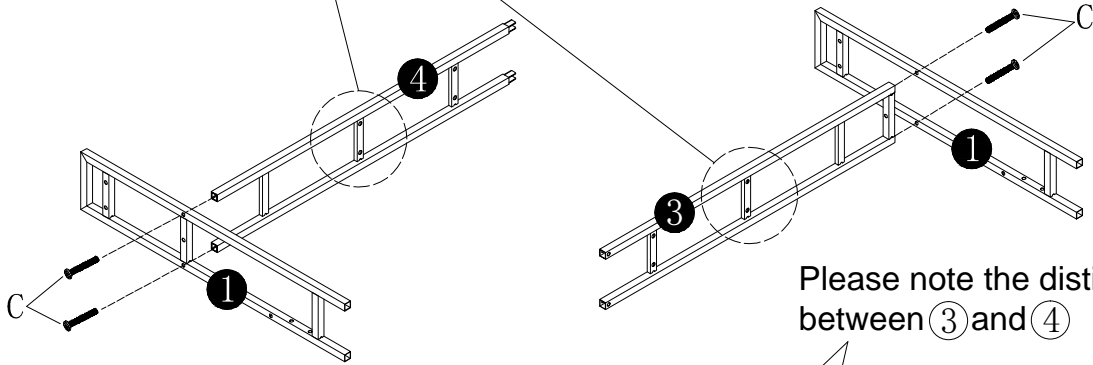


The head of the bed is on the left side facing the bed (as the figure shows) .

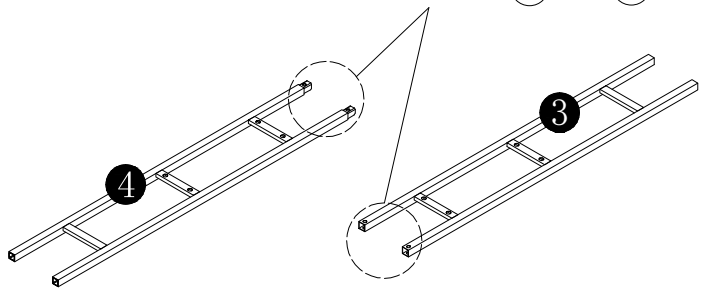




Pay attention to distinguish between the two sides.

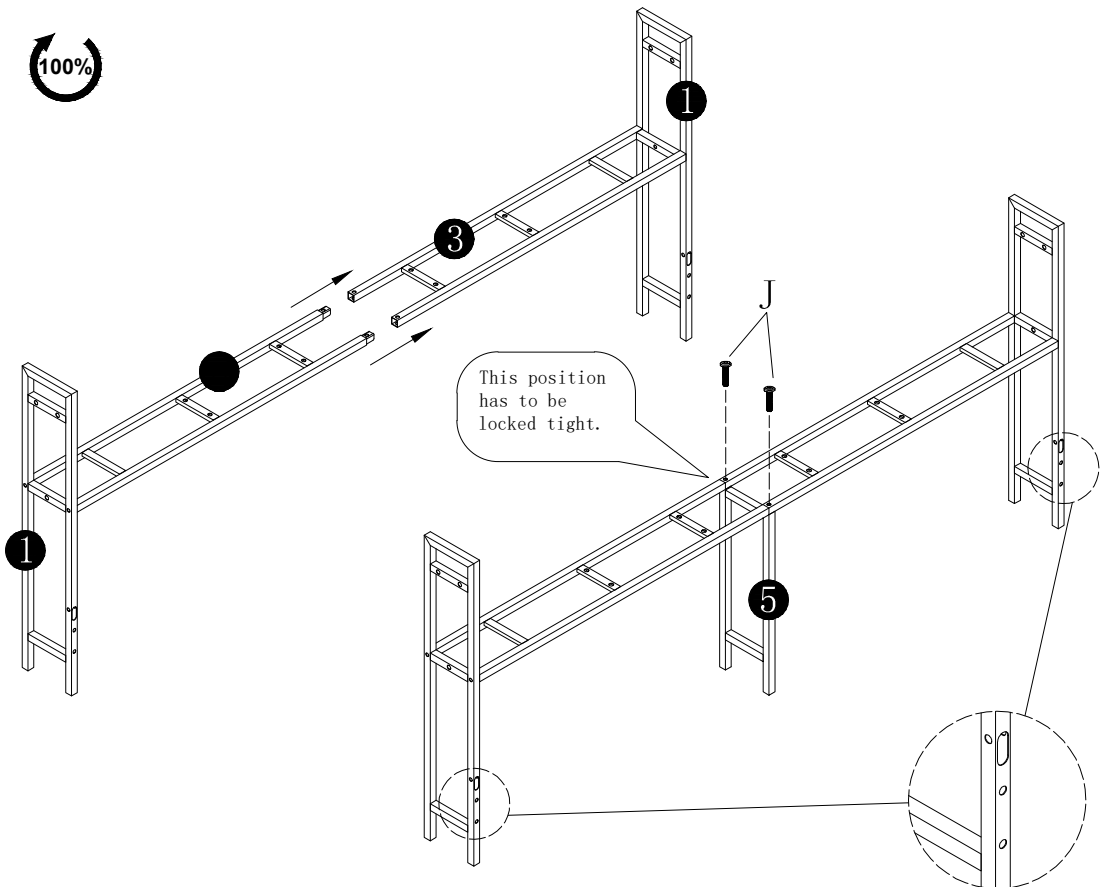


Please note the distinction between ③ and ④



M6*40mm
C 4 PCS

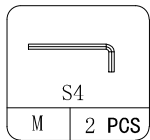
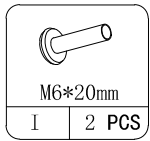
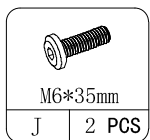
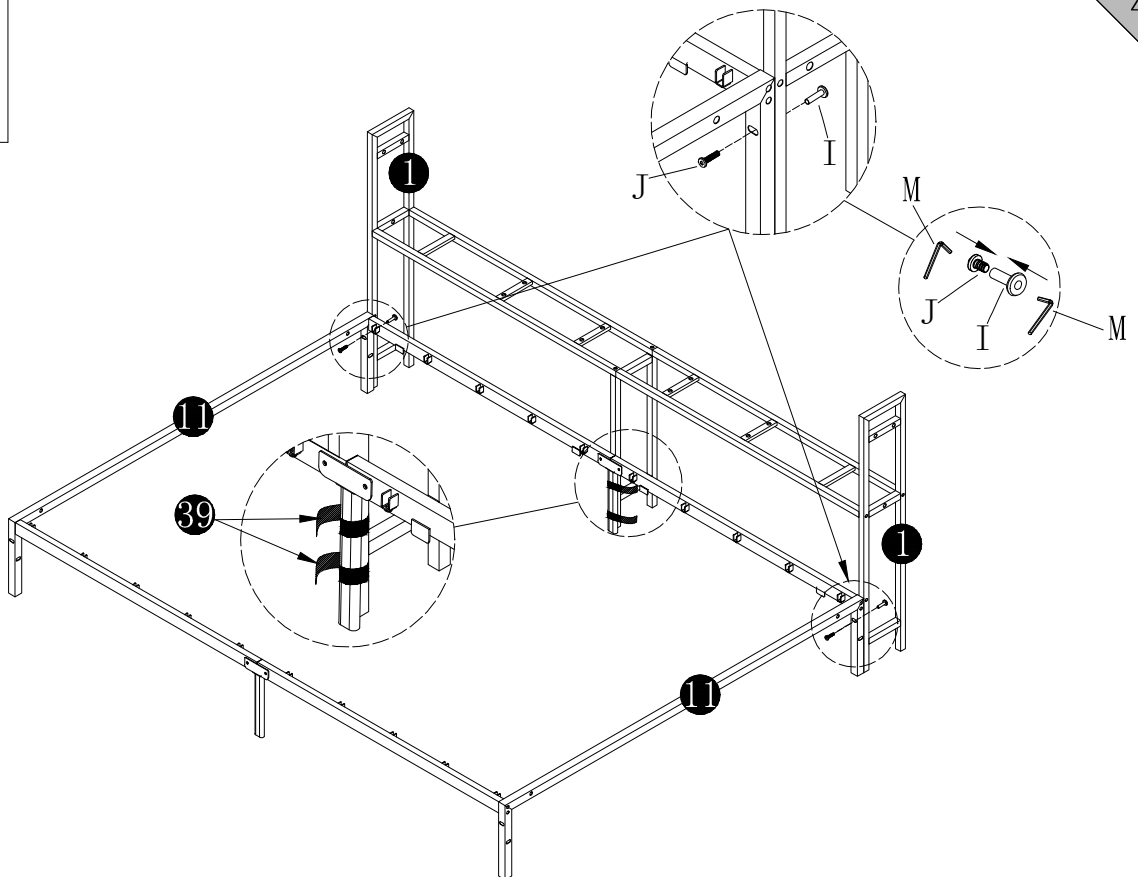
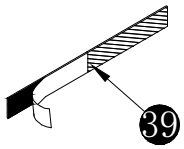
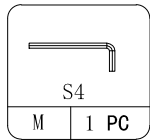
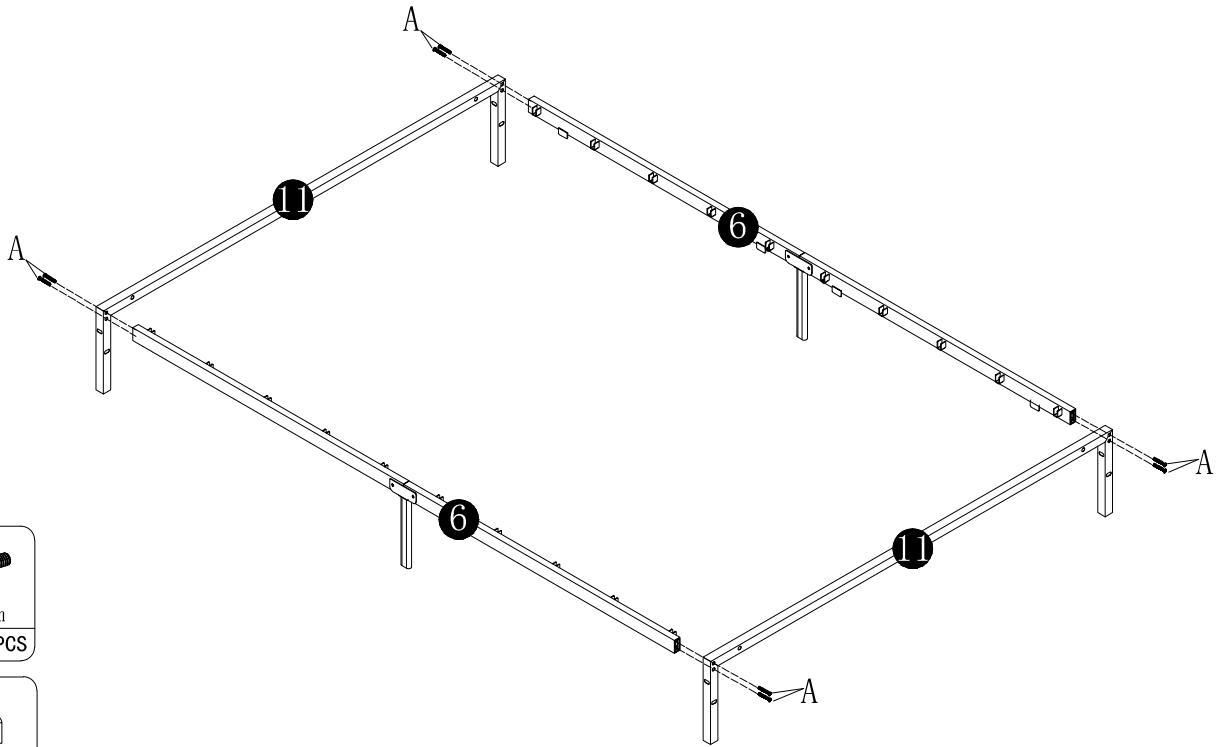
S4
M 1 PC



This position has to be locked tight.

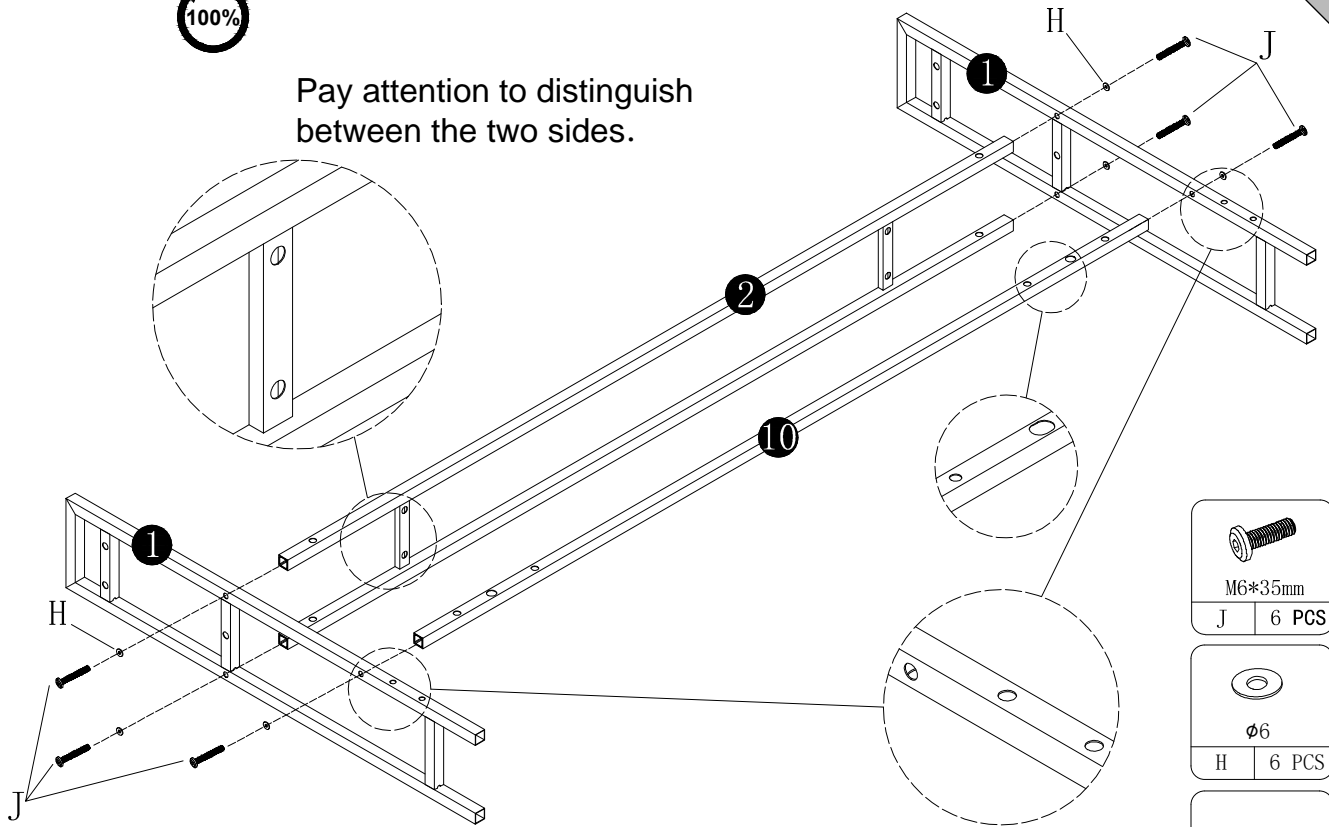
M6*35mm
J 2 PCS

S4
M 1 PC



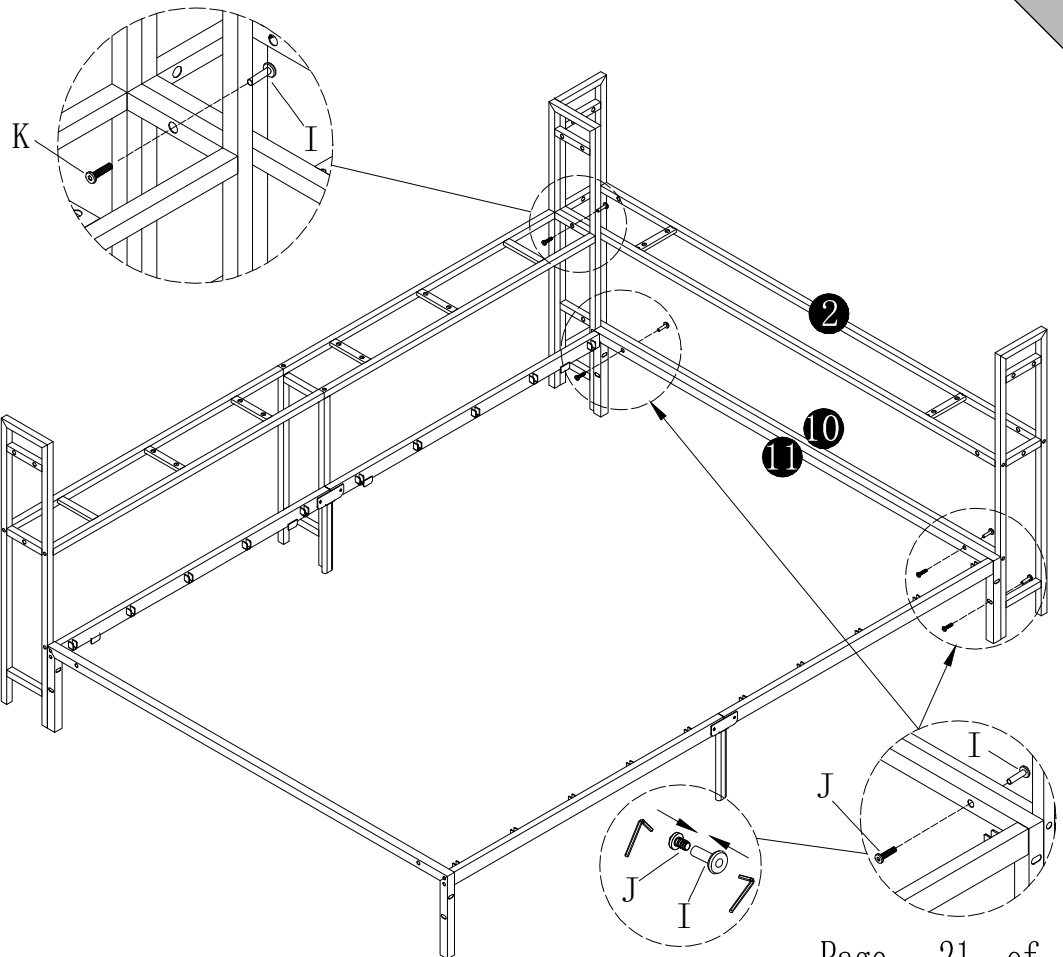


Pay attention to distinguish between the two sides.



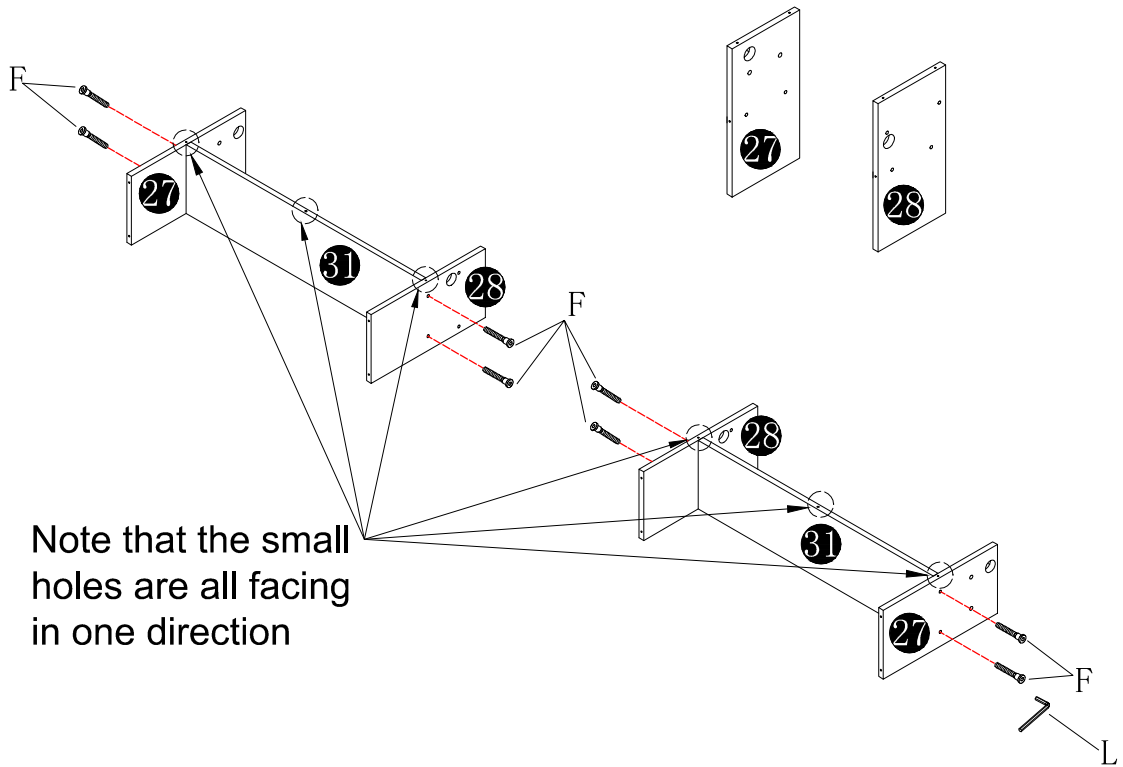
	M6*35mm
J	6 PCS
	ø6
H	6 PCS
	S4
M	1 PC

Pay attention to the orientation of the hole position

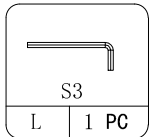
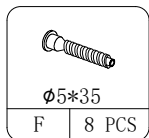


	M6*30mm
K	1 PC
	M6*35mm
J	3 PCS
	M6*20mm
I	4 PCS
	S4
M	2 PCS

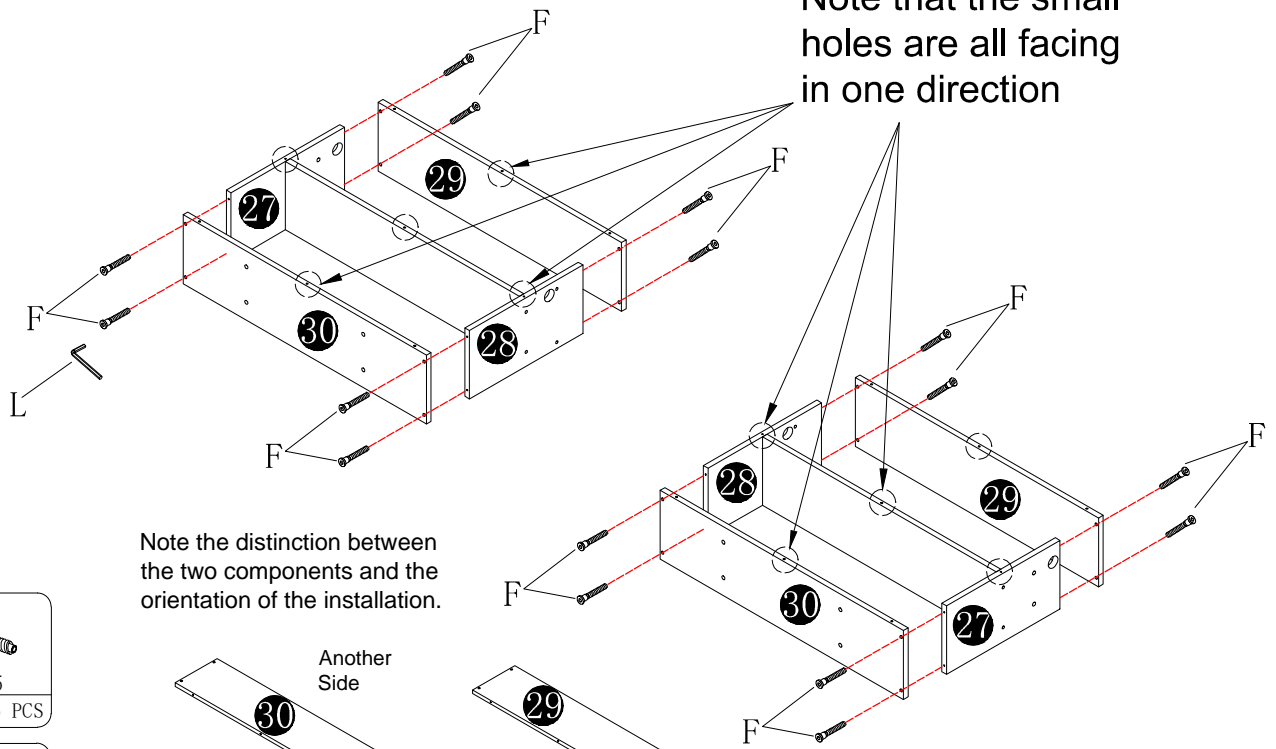
Note the distinction between the two components and the orientation of the installation.



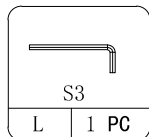
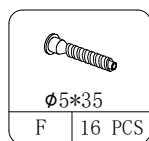
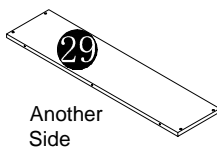
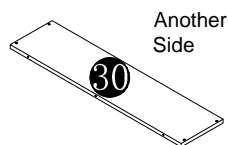
Note that the small holes are all facing in one direction

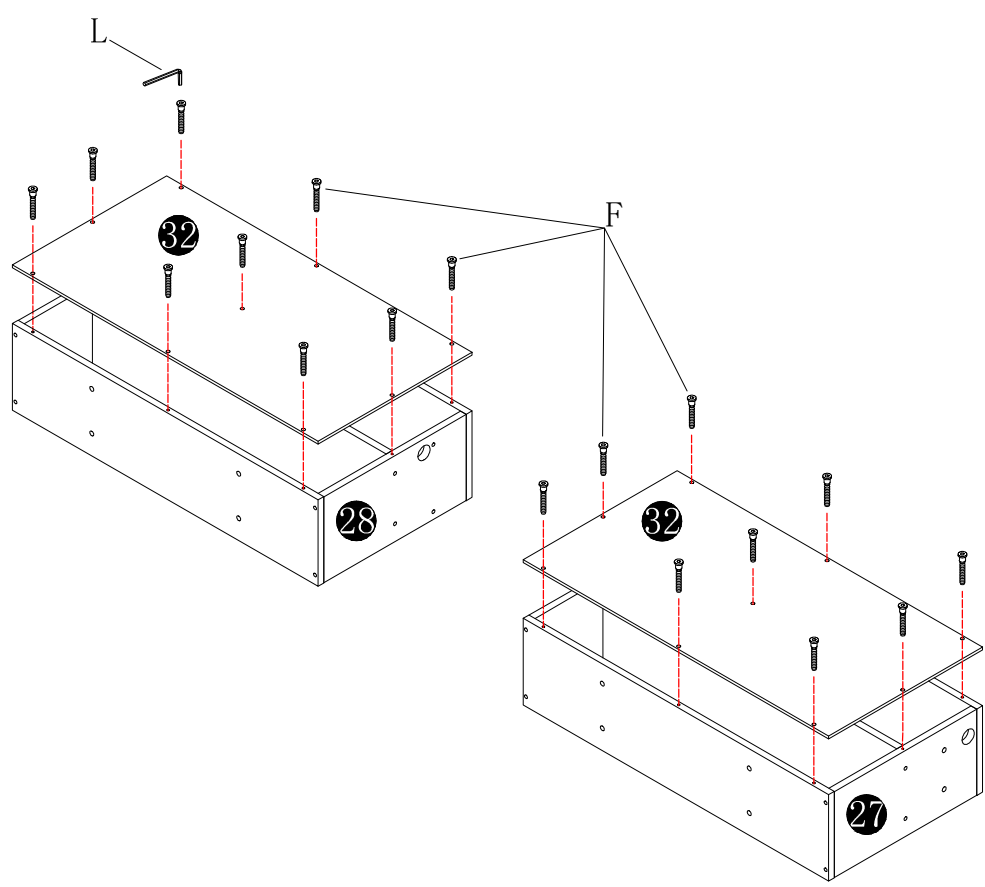




Note that the small holes are all facing in one direction

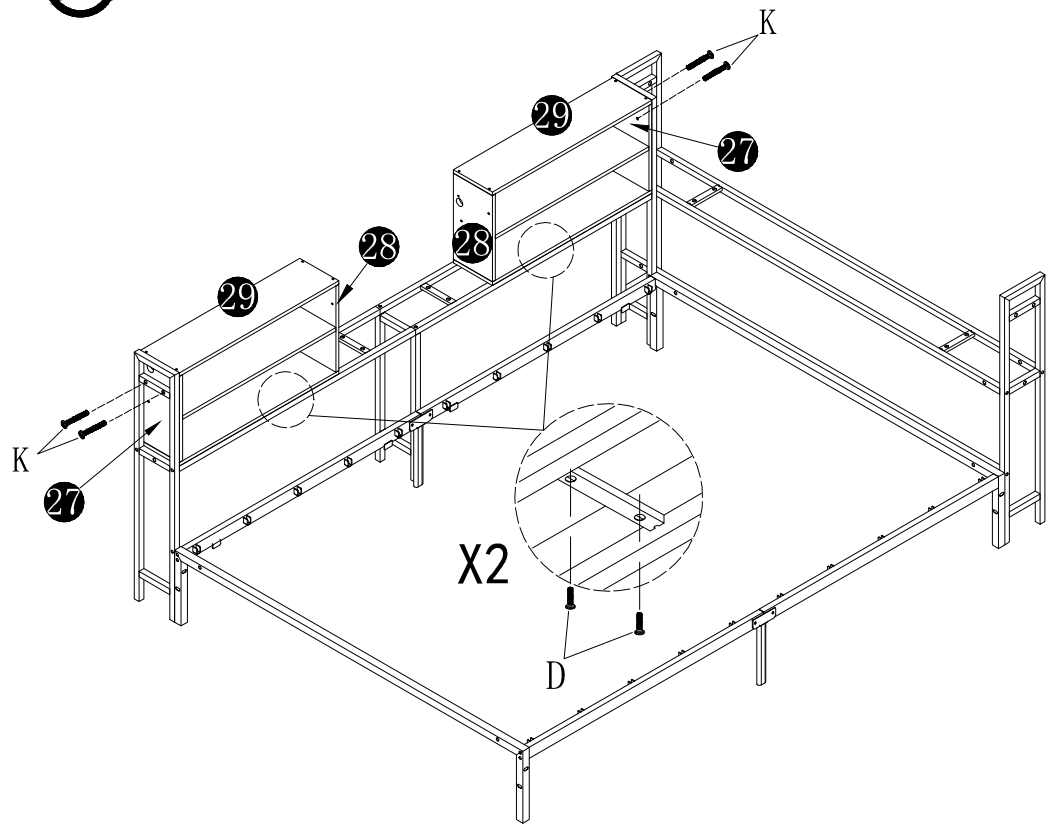


Note the distinction between the two components and the orientation of the installation.





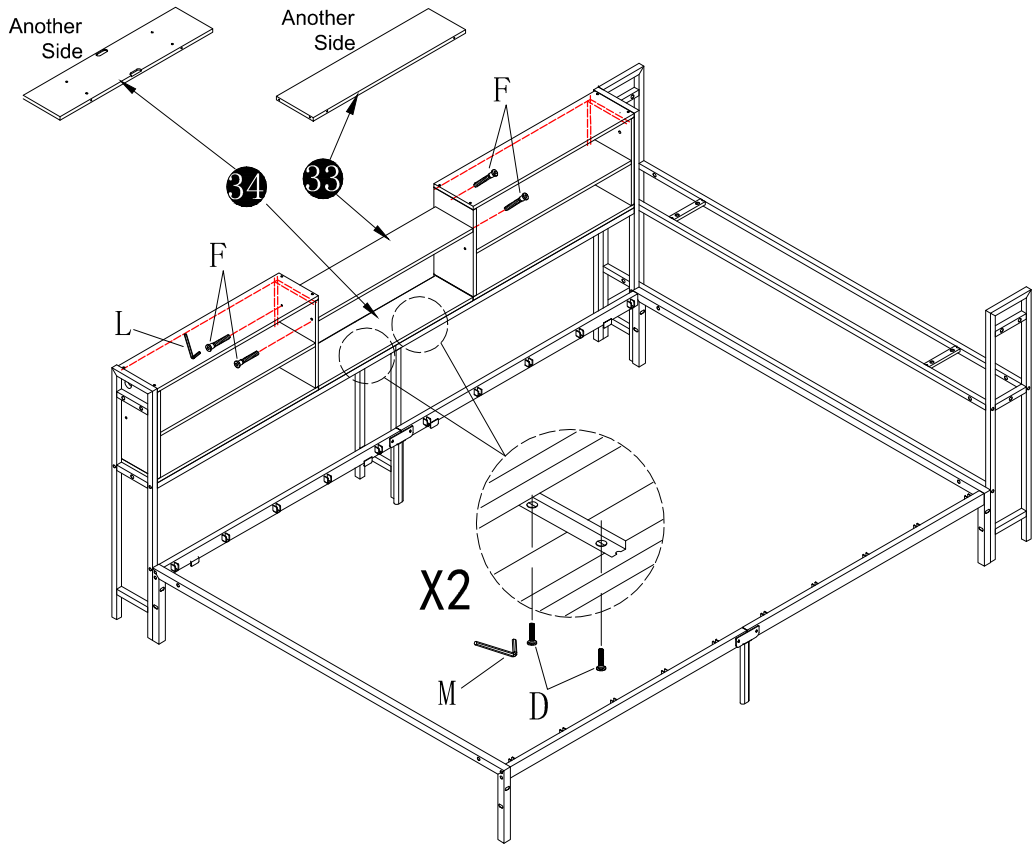
	
Ø5*35	
F	18 PCS
	
S3	
L	1 PC



	
M6*18mm	
D	4 PCS
	
M6*30mm	
K	4 PCS
	
S4	
M	1 PC



Note the distinction between the two components and the orientation of the installation.

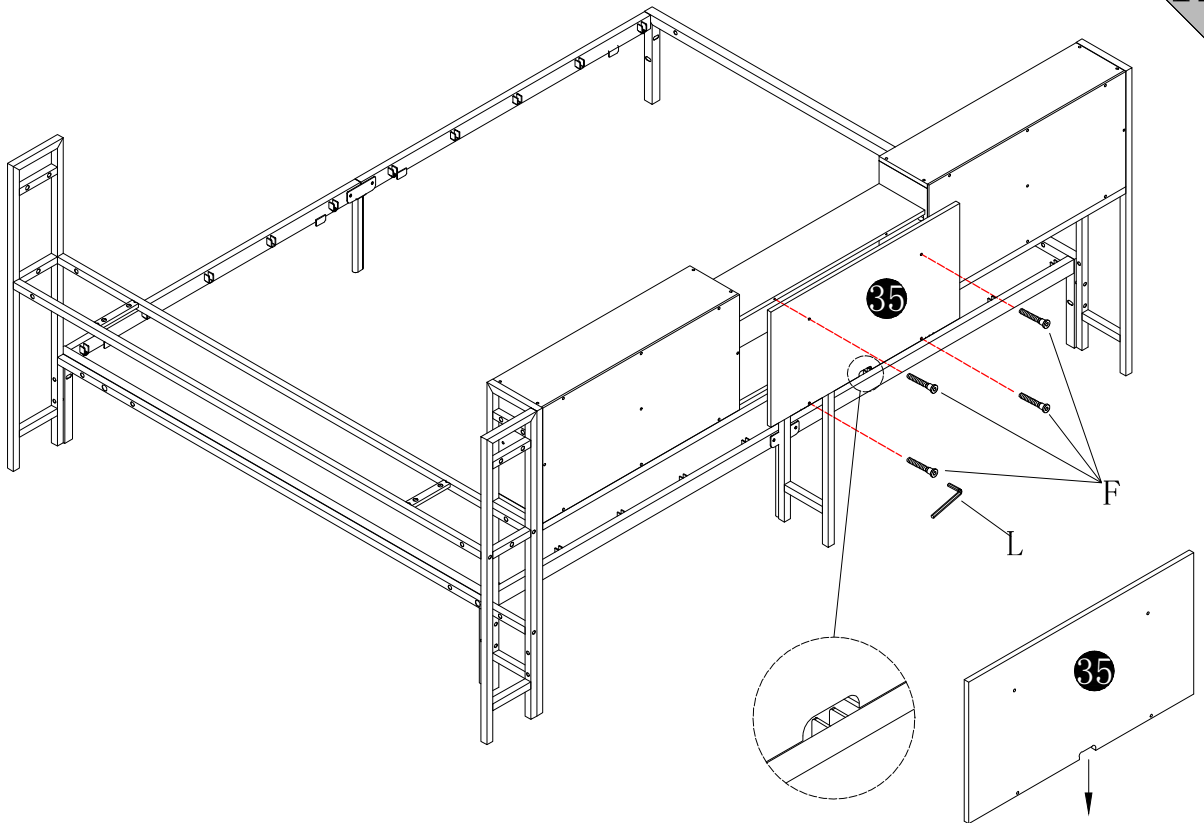


	M6*18mm
D	4 PCS

	φ5*35
F	4 PCS

	S3
L	1 PC

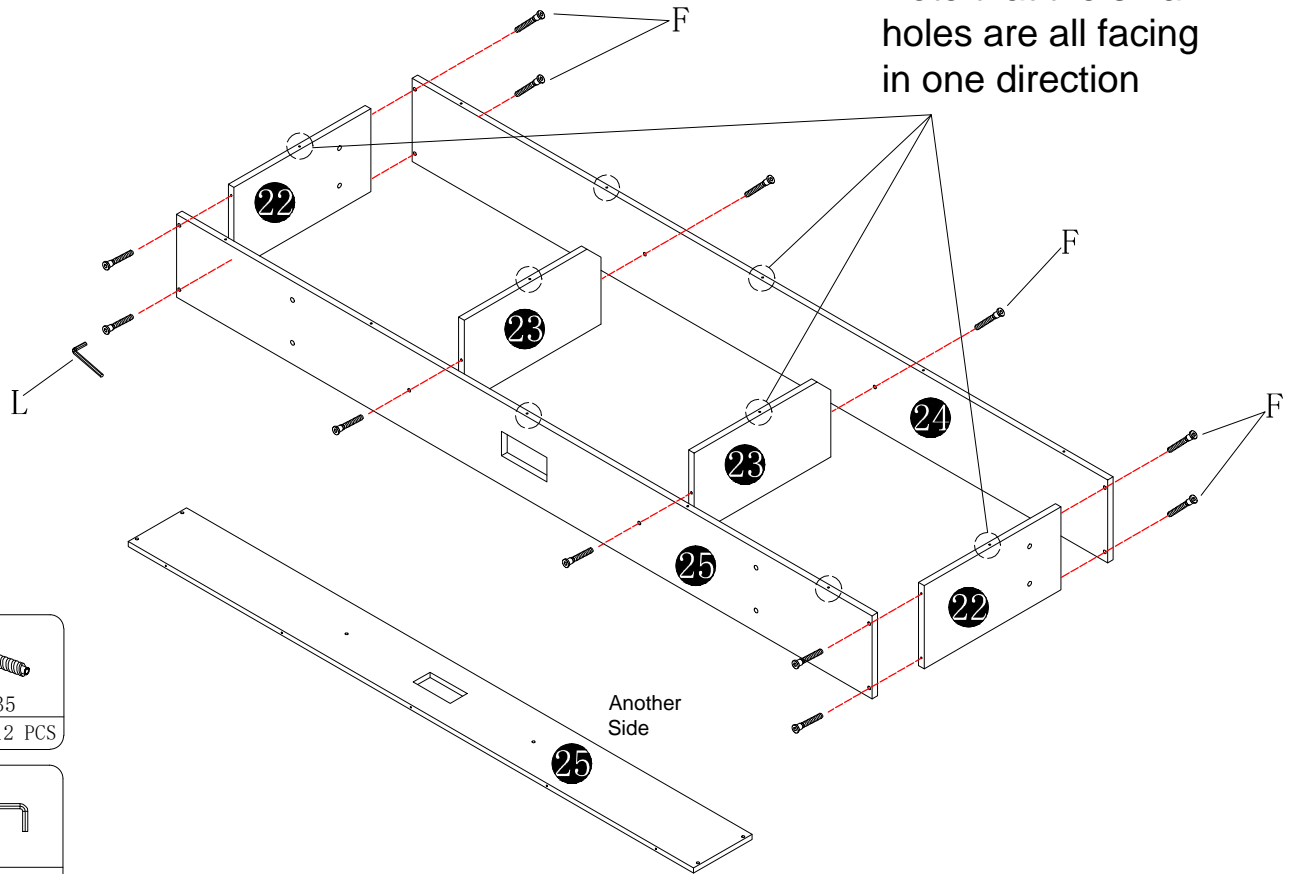
	S4
M	1 PC





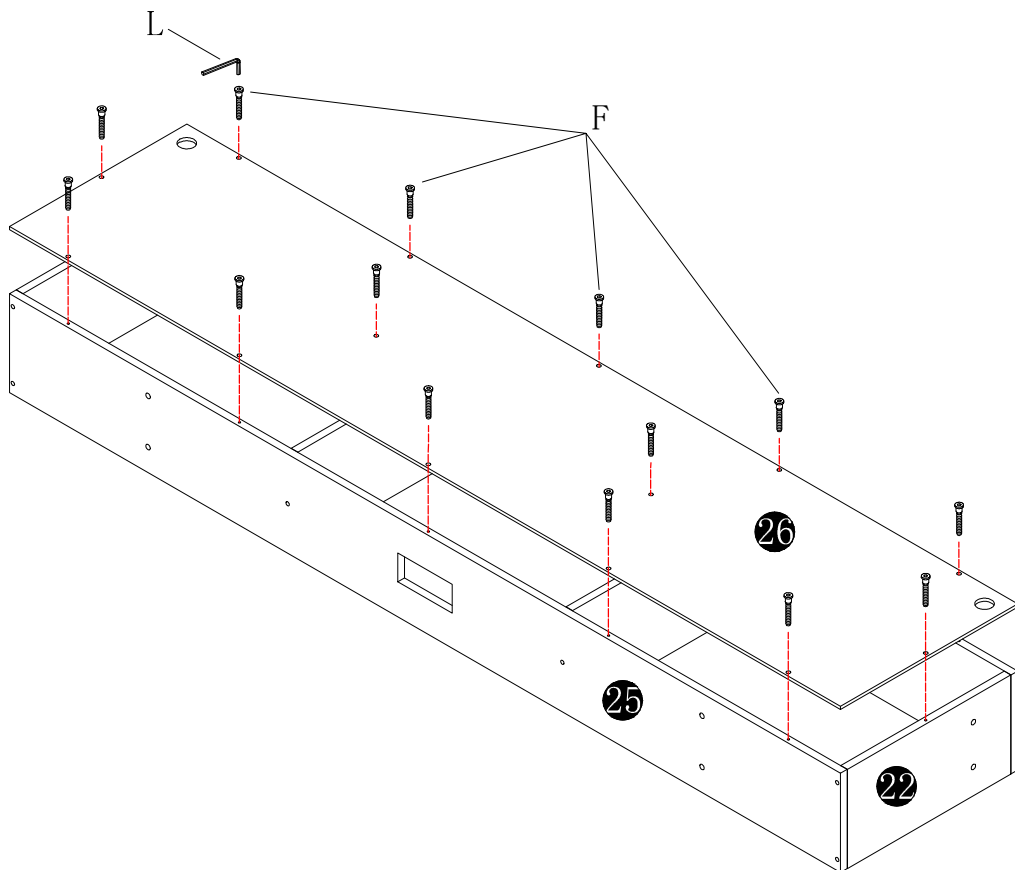
	φ5*35
F	4 PCS



	S3
L	1 PC

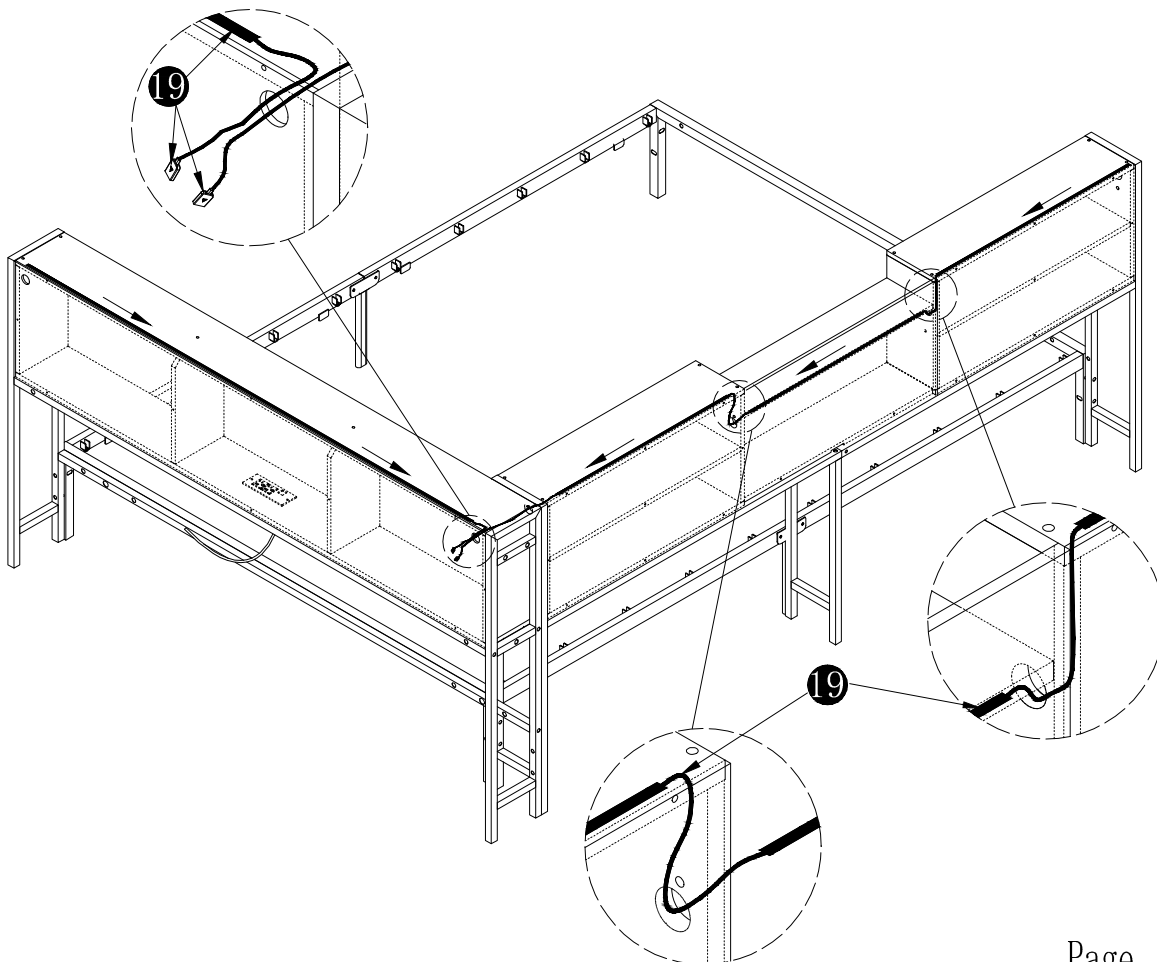
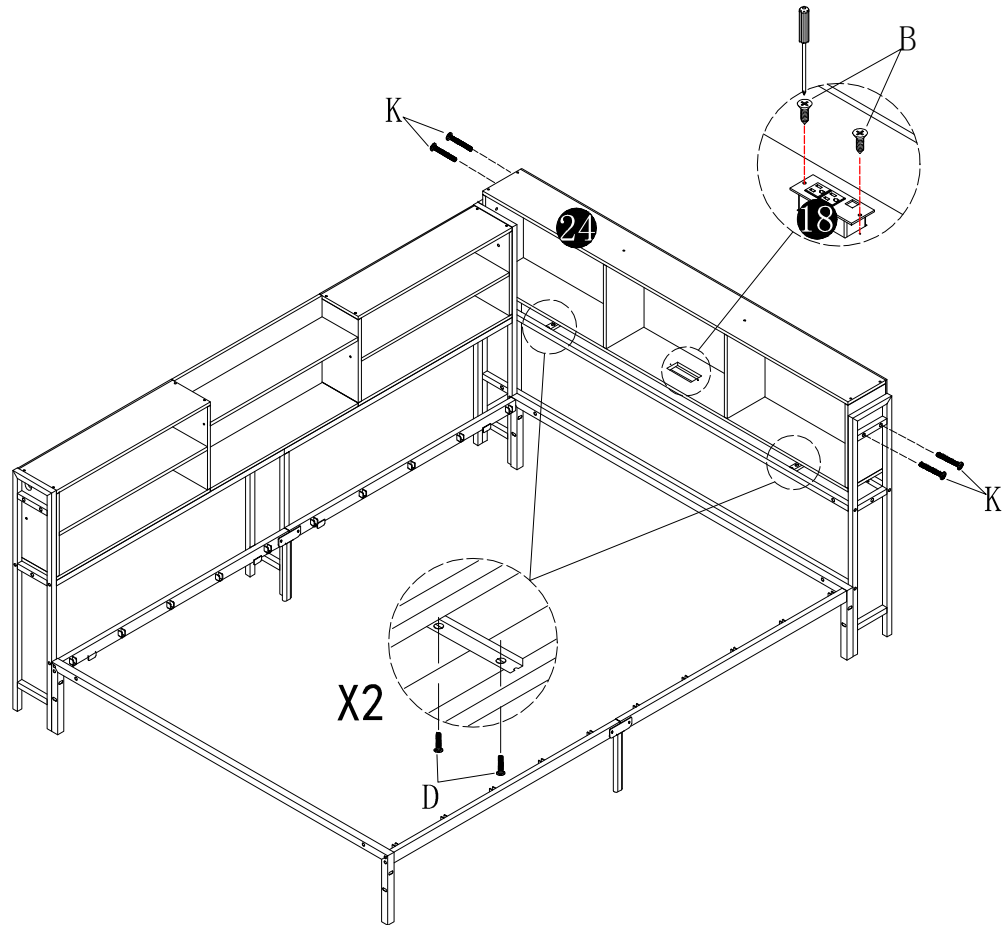
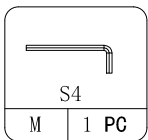
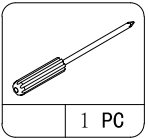
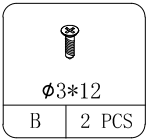
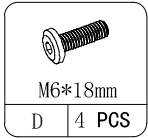
Note that the small holes are all facing in one direction

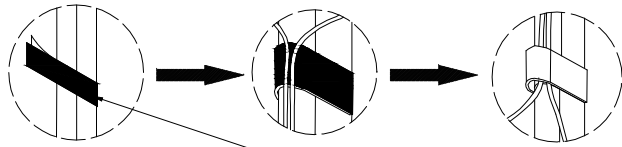


	
φ5*35	
F	12 PCS
	
S3	
L	1 PC

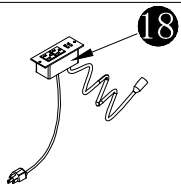
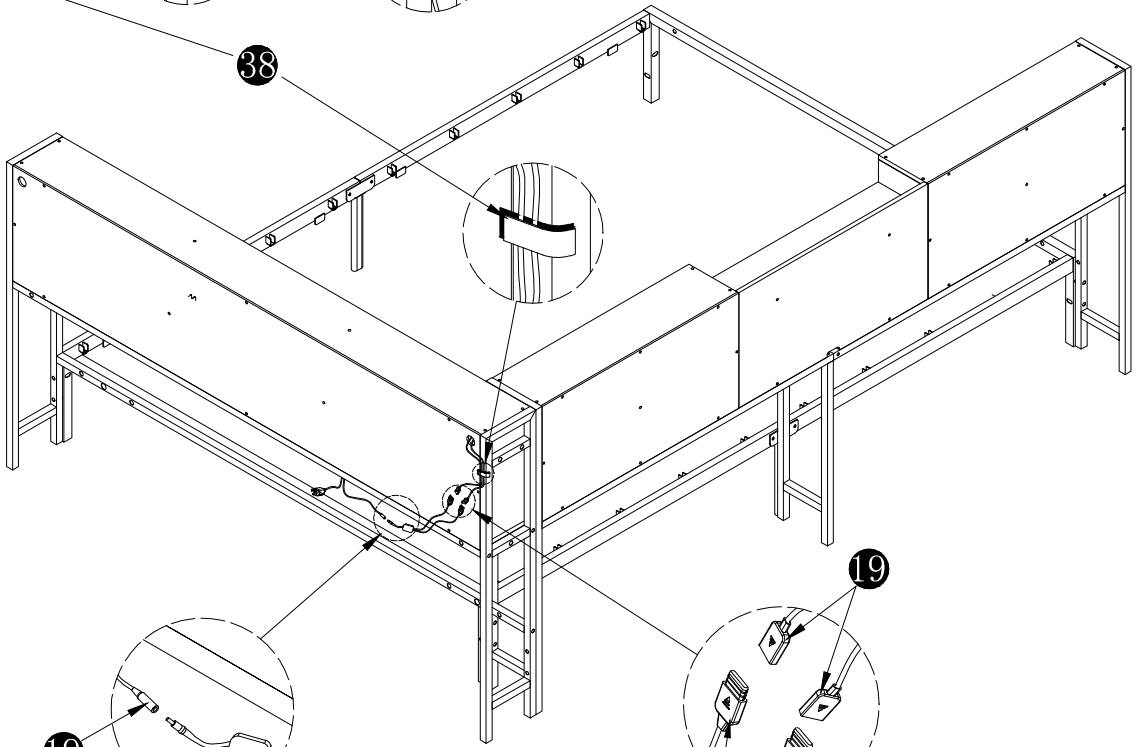


	
φ5*35	
F	14 PCS
	
S3	
L	1 PC

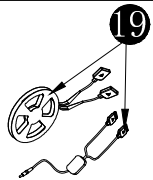




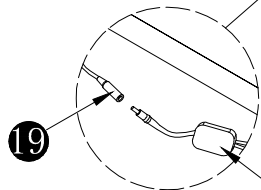
38



18

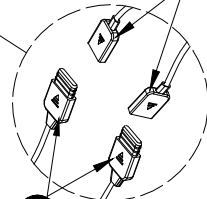


19

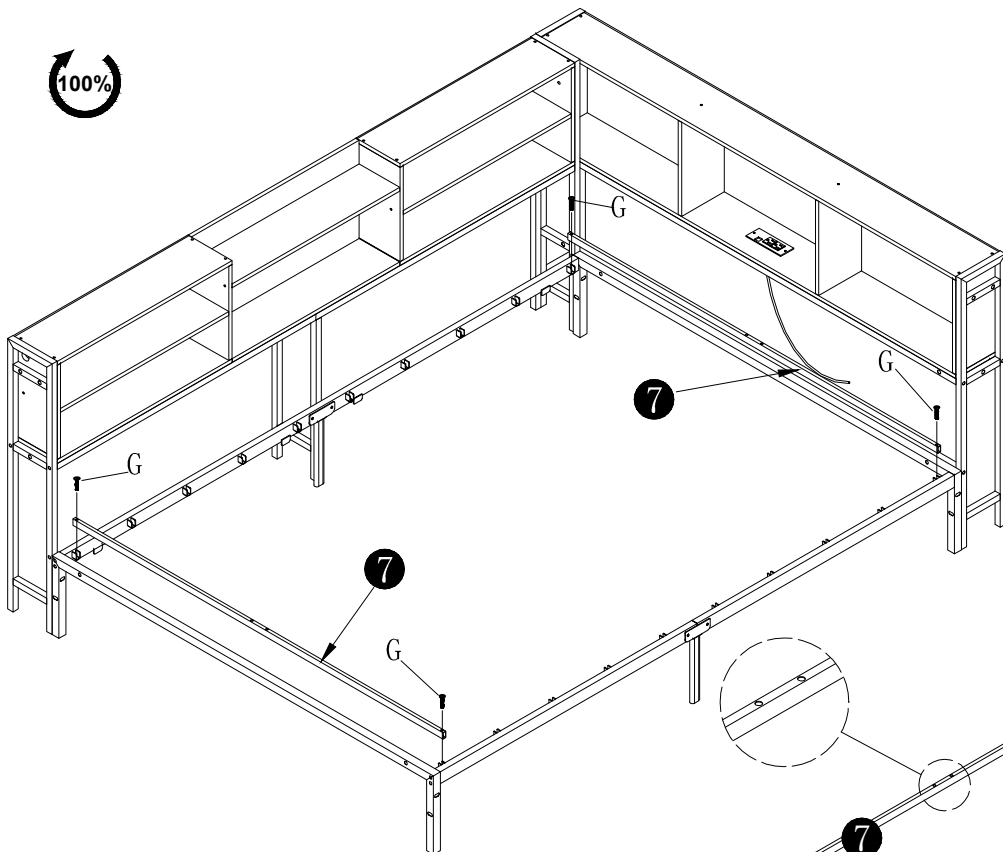


19

19



19



7

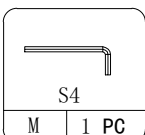
7

7



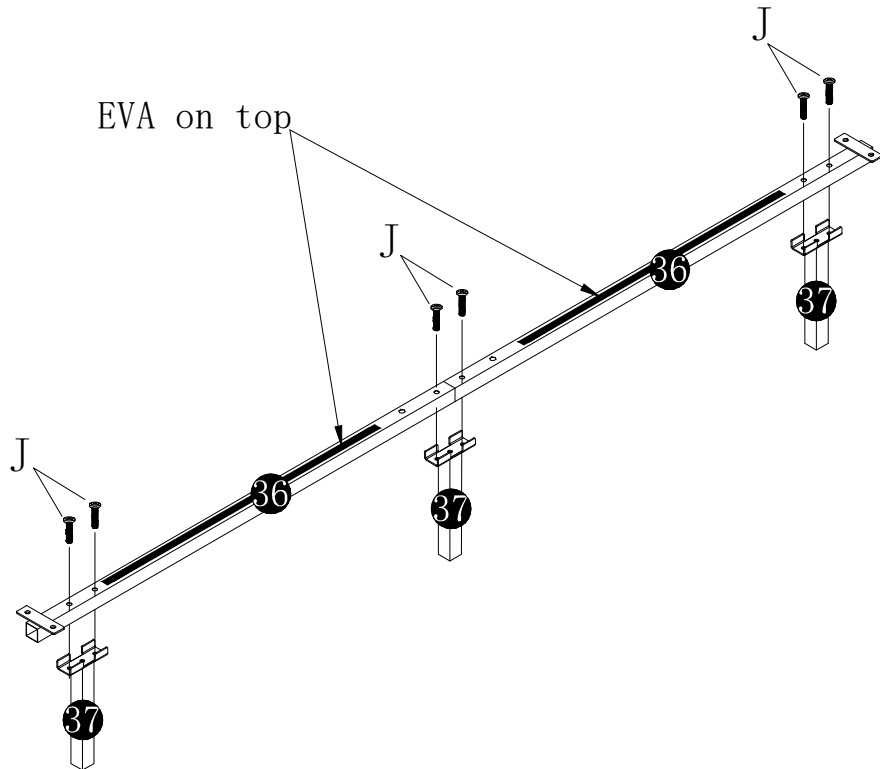
M5*25mm

G 4 PCS



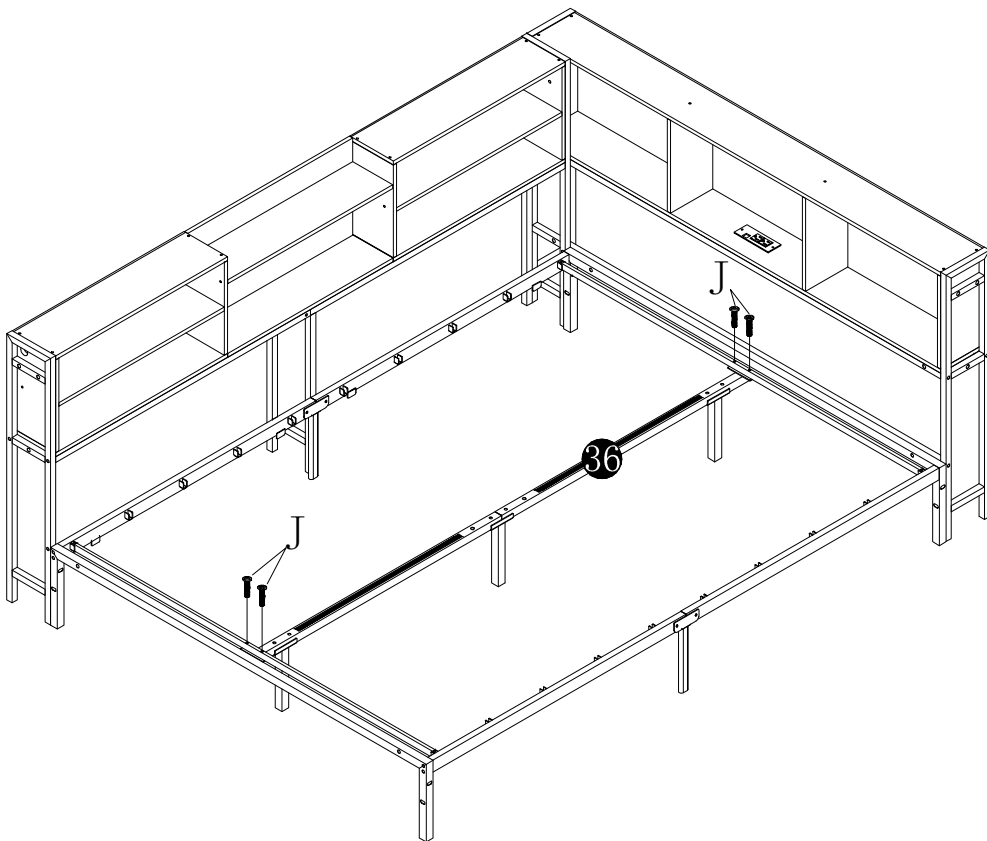
S4

M 1 PC



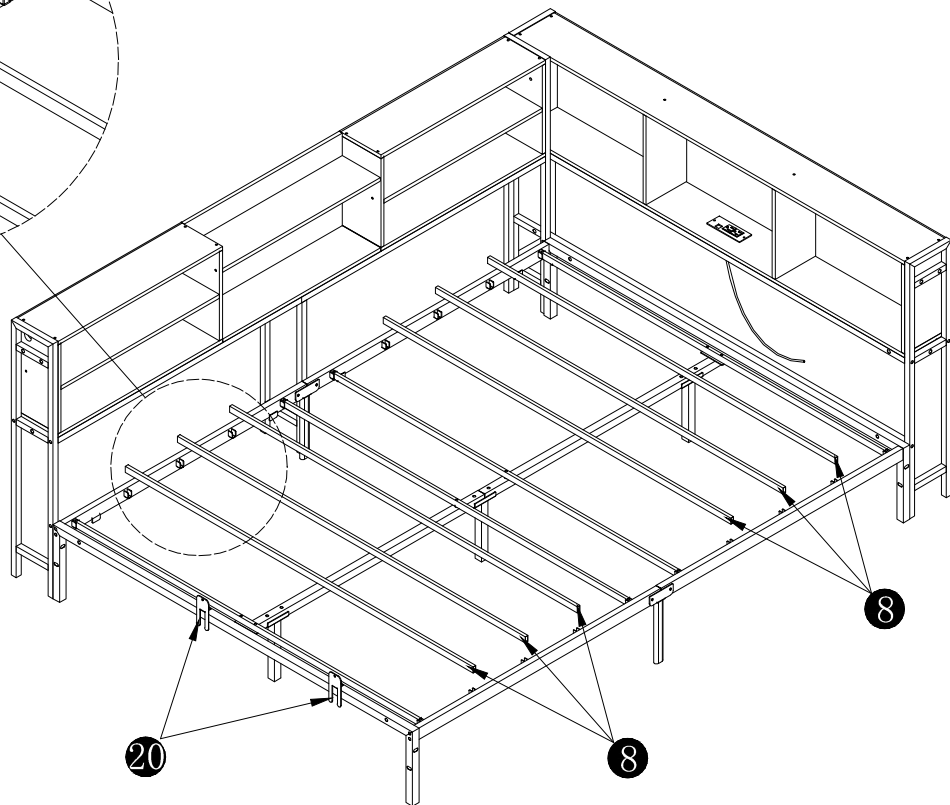
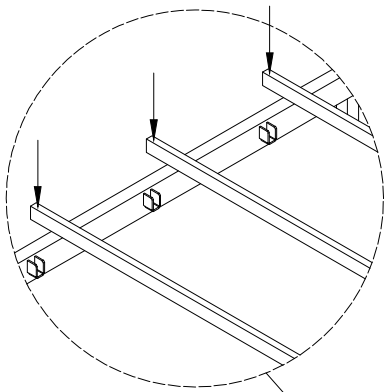
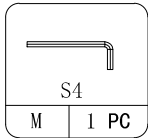
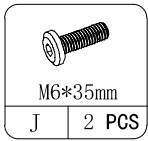
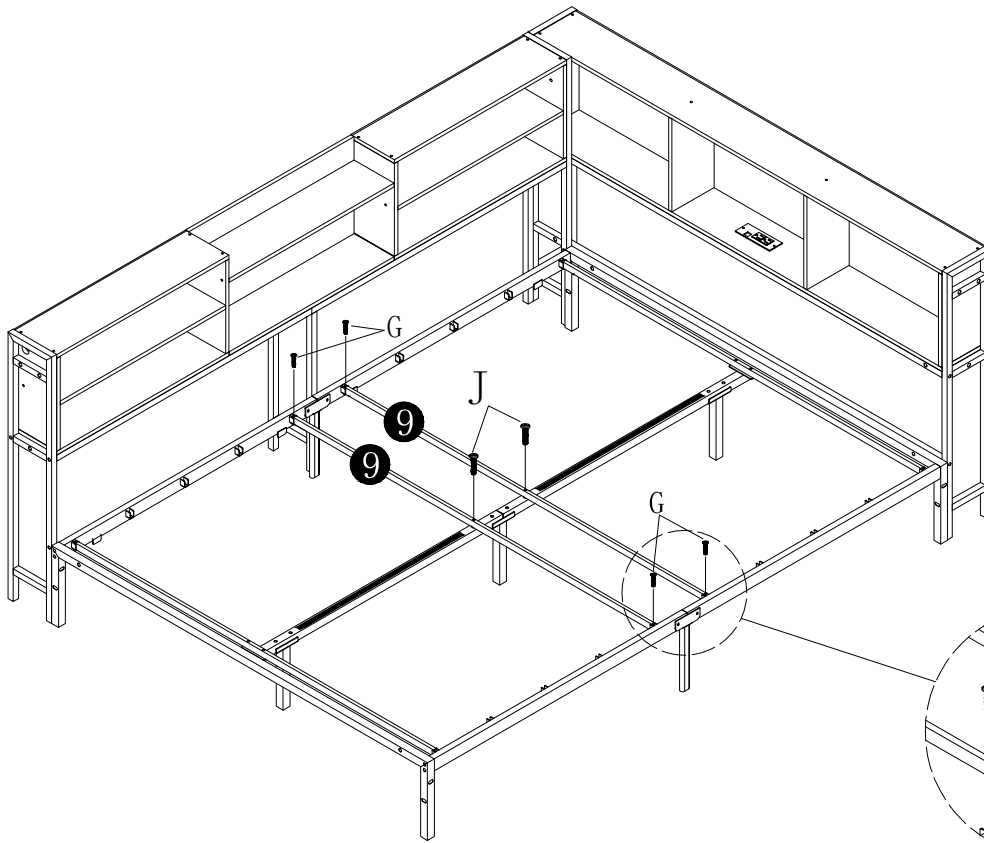
M6*35mm	
J	6 PCS

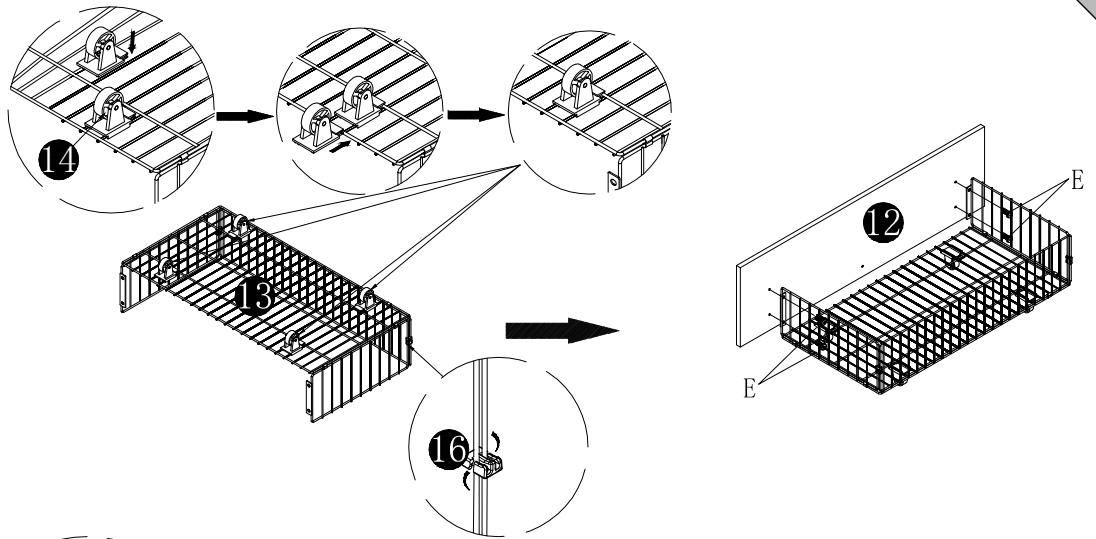
S4	
M	1 PC





M6*35mm	
J	4 PCS

S4	
M	1 PC






M6*10mm
E 10 PCS

S4
M 1 PC

