

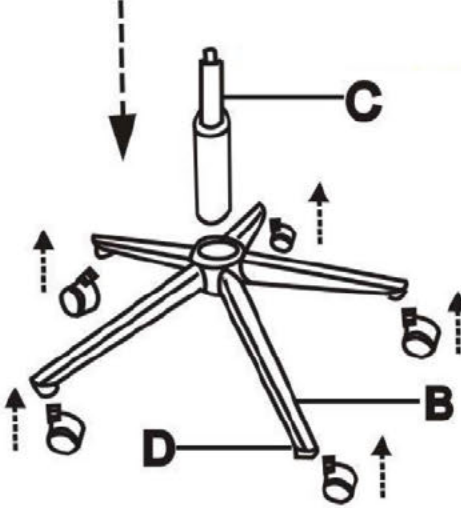
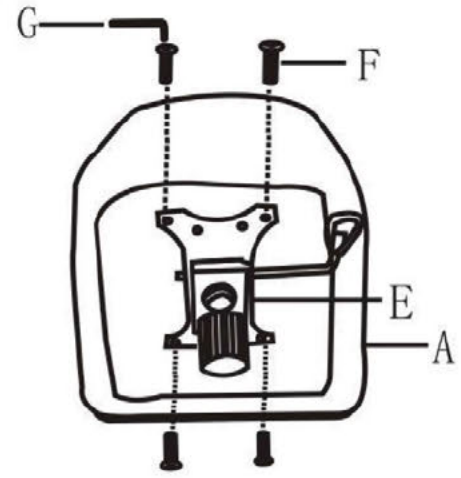




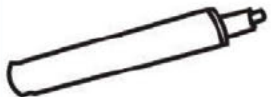




# 1

## Caster Wheels Option Assembly Instructions

<p>A*1</p> 	<p>D*5</p> 	<p>1</p> 	<p>2</p> 
<p>B*1</p> 	<p>E*1</p> 	<p>3</p> 	<p>4</p> 
<p>C*1</p> 	<p>F*4</p>  <p>M6*18MM</p>	<p>G*1</p> 	

# 2

## Footers Option Assembly Instruction

A\*1



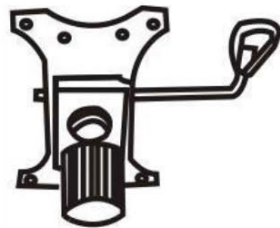
D\*5



B\*1



E\*1



C\*1



F\*4

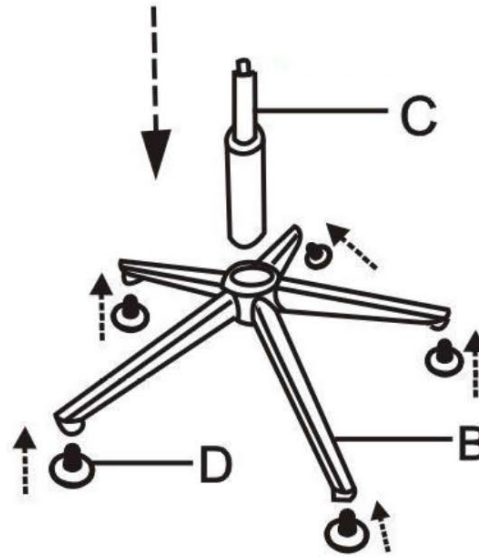


M6\*18MM

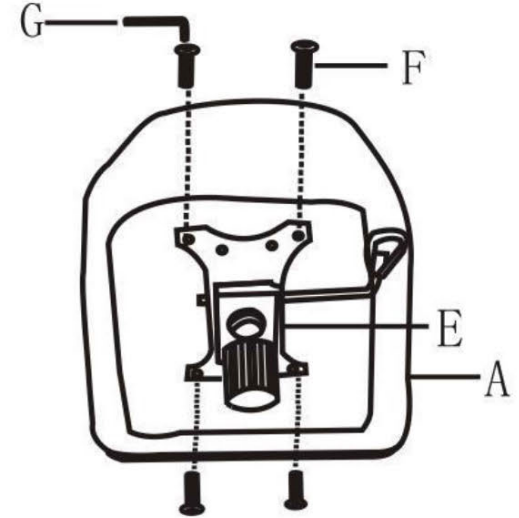
G\*1



1



2



3



4

