

Per Seat Weight Limitation

**150 LBS**

**ITEM NO. ETSD1616**

Thank You For Choosing Our Furniture

- ▾ If you have any questions or concerns, don't hesitate to reach out to us. ▾

Call us: +1(833)324-2464  
Email: [hello@hulalahome.com](mailto:hello@hulalahome.com)

**NOTE:**






This brochure contains **IMPORTANT** safety info. Please read and keep it for future reference.

# MAINTAINANCE AND WARNINGS



## Before You Start

### *Please follow the steps below:*




-  Check the packaging for any damage, deformation, or water stains. If there is significant damage, please contact us promptly.
-  Open the packaging and confirm that the panels, hardware, screws, etc are complete.
-  Please read the installation instructions carefully to understand the installation steps and precautions to ensure proper installation.
-  Clean the installation area in advance and ensure the ground is level and there is enough space to avoid damaging the furniture or making installation difficult.
-  Lay a protective mat on the ground to prevent scratching the floor during installation.

### *After-Sales Service*

- If you encounter any issues or need technical support during use, please contact our after-sales team. We offer long-term maintenance and warranty services.





## Precautions

-  This product for indoor use only. Do not expose it to outdoor elements or high-humidity environments.
-  Keep the product away from high heat or open flames to prevent fire hazards.
-  Do not allow children to climb on the product to prevent personal injury caused by tipping



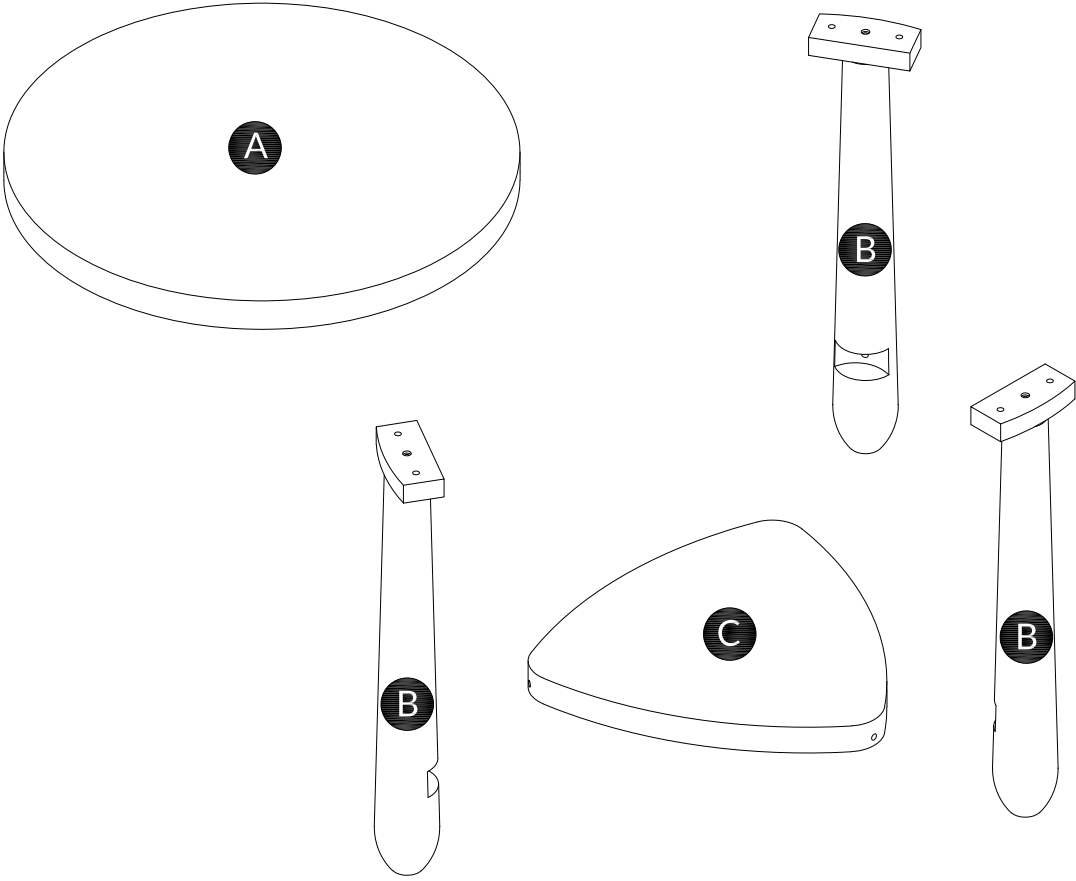
## Safety Warnings

-  If you notice any loose or damaged parts, stop using the product immediately and contact customer service.
-  Do not attempt to disassemble or replace any components yourself, as this may affect the stability and safety of the product.

### ***Daily Maintenance***

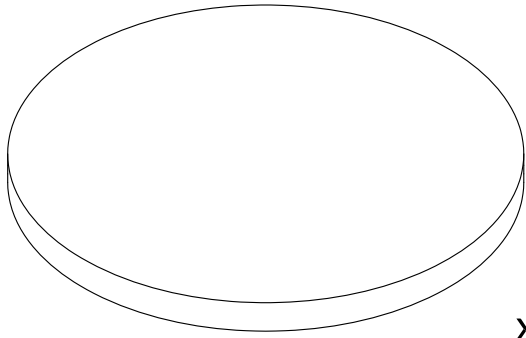
- Do not use cleaning agents containing acids, alkalis, or corrosive substances, as they may damage the surface. It is recommended to use neutral cleaning agents or specialized furniture cleaners
- Avoid exposing furniture to humid environments for extended periods to prevent swelling or deformation of the boards. Use a dehumidifier or desiccant during humid weather.
- Avoid direct contact of furniture with water. If water is accidentally spilled, wipe it dry immediately.
- Avoid placing excessively heavy objects on the furniture: ensure the weight is within a reasonable load-bearing range.
- Avoid using sharp or rough items on the furniture surface to prevent scratches, Handle items gently when moving them

***Explosive view***



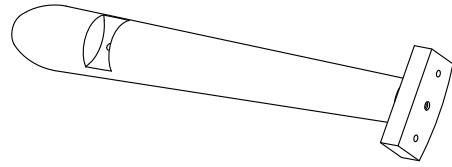
**part list**

**A**



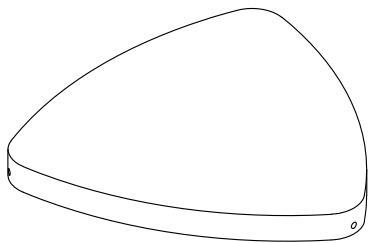
x1

**B**



x3

**C**



x1

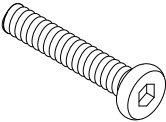



Installation:  
15minutes.



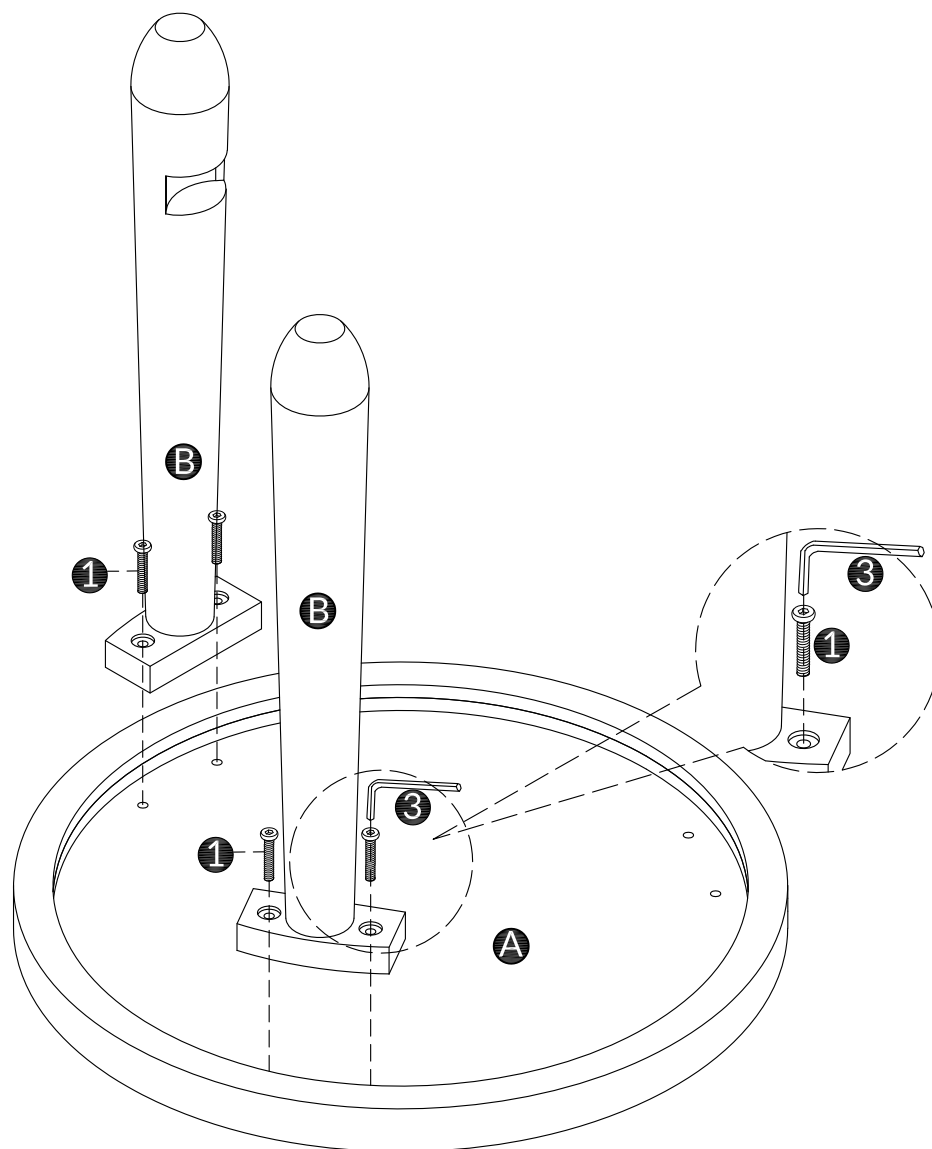
One Person



# Hardware List

<p>1</p>  <p>x6</p> <p>M6x30mm</p>	<p>2</p>  <p>x3</p> <p>M6x40mm</p>	<p>3</p>  <p>x1</p> <p>M4</p>
---	---	--

## Step 1

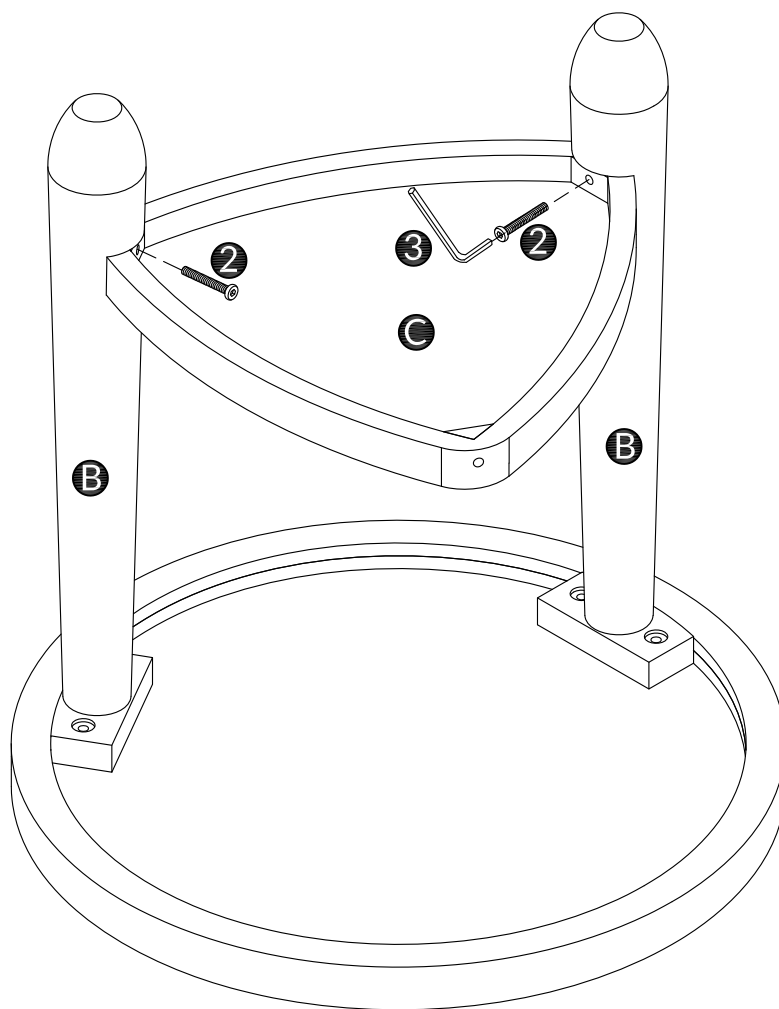
Place the panel A on a flat surface. Lock two leg B with the panel A by using bolt 1 and Allen key 3 as picture show.





1	x4	3	x1
			
M6x30mm		M4	

## Step 2

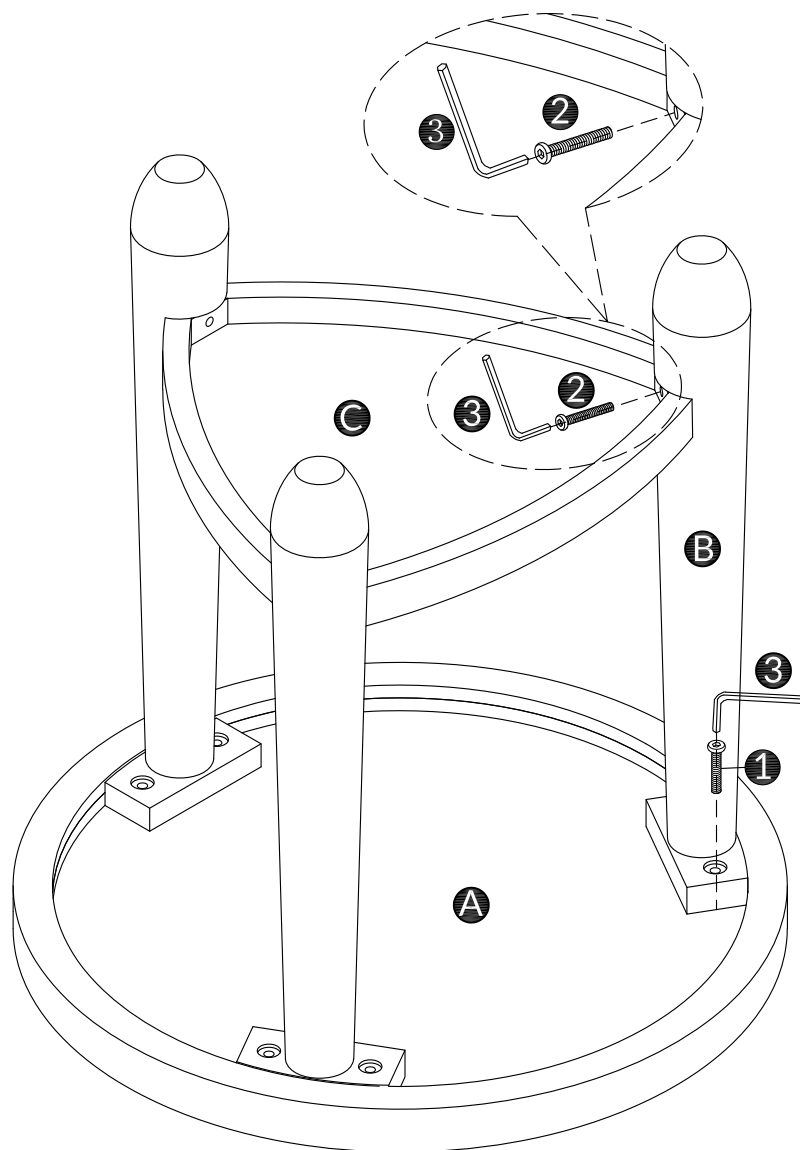
Insert the part C into the corresponding hole of part B by using bolt 2 and Allen key 3 as picture show.  
DO NOT FULLY TIGHTEN THE BOLTS.



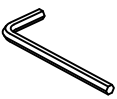


2	x2	3	x1
			
M6x40mm		M4	

### Step 3

Use Allen key 3 & bolt 2 to attach the leg B to panel C and Use Allen key 3 & bolt 1 to attach the leg B to part A as picture show



1	x2	2	x1	3	x1
					
M6x30mm		M6x40mm		M4	

# WARRANTY

- We strive to offer quality products, and we also try our best to satisfy every customer who orders from us with products or services as needed.
- Replacement parts can be purchased from our company if available.
- For returns, please check the return policy with the retailer or marketplace where you purchased the item.

## ***Are you having difficulty***

With assembly? Missing parts?  
Please send an email with your order No. to  
[hello@hulalahome.com](mailto:hello@hulalahome.com)

We appreciate your purchase.  
Brighten your life with our furniture!