



















Hardware

Tools Required

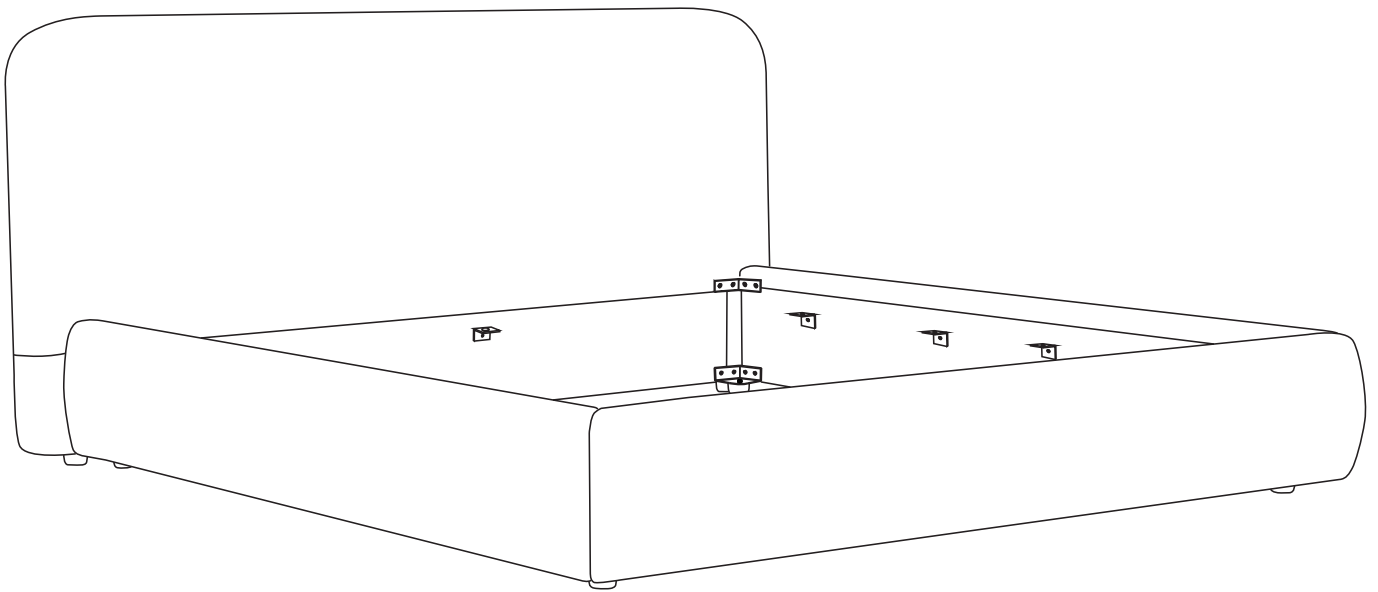
Power tools NOT recommended

NO.	Quantity	K Accessory
A	4	 Metal Support A
B	4	 Metal Support B
C	12	 Metal Support C
D	44	 Screw 8X20 mm
E	12	 Gaske 33 mm
F	4	 Screw M8
G	1	 Allen Wrench 5mm
H	6	 Plastic Foot 4cm
I	4	 Center Leg

King Bed

NO.	Quantity	Accessory
A	4	 Metal Support A
B	4	 Metal Support B
C	10	 Metal Support C
D	44	 Screw 8X20 mm
E	10	 Gaske 33 mm
F	4	 Screw M8
G	1	 Allen Wrench 5mm
H	6	 Plastic Foot 4cm
I	2	 Center Leg

Queen Bed

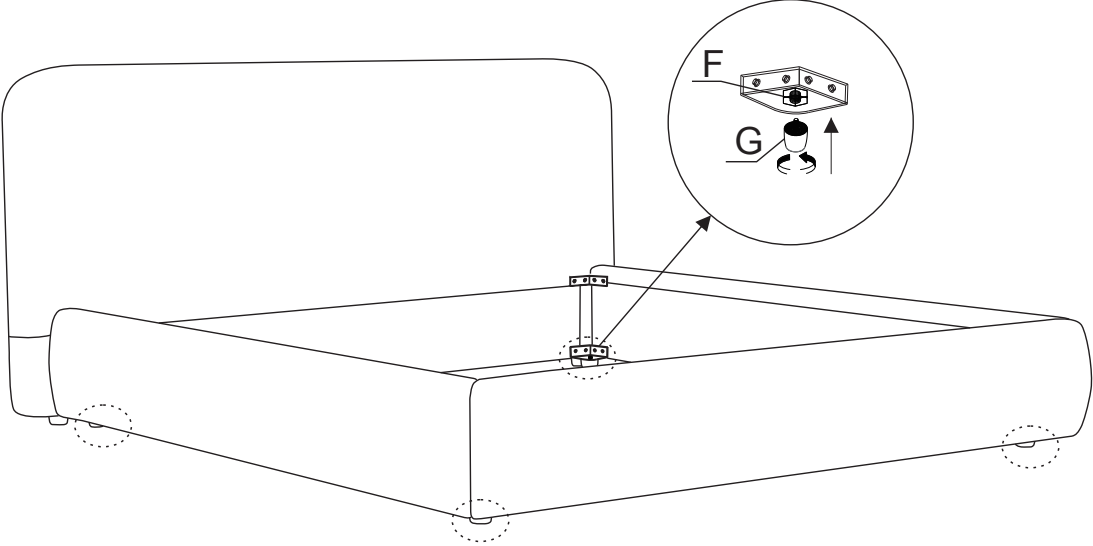
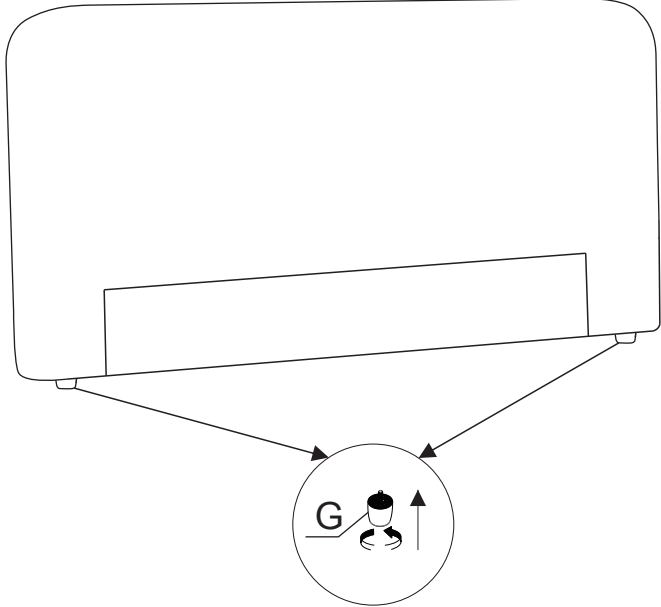


Hardware

Tools Required

Power tools NOT recommended

1 Install plastic foot G to headboard, siderails

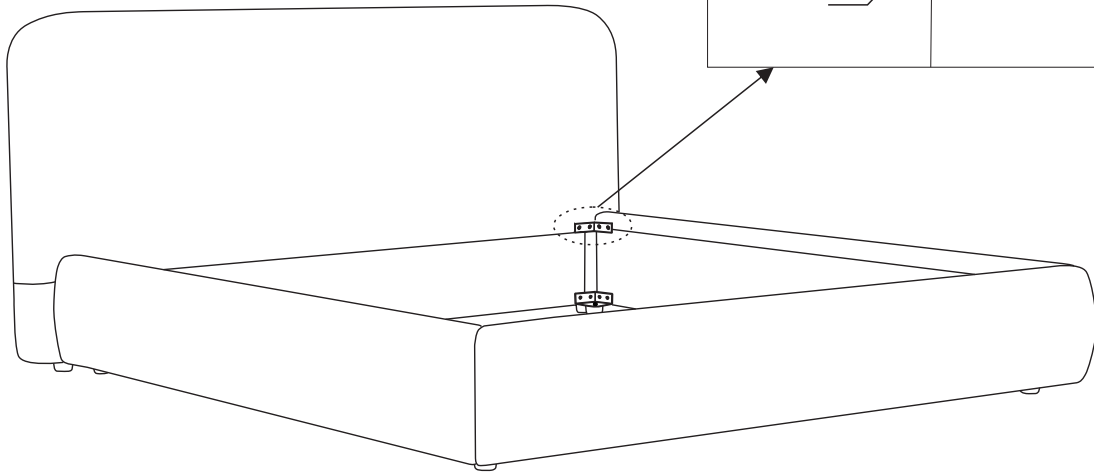


Hardware

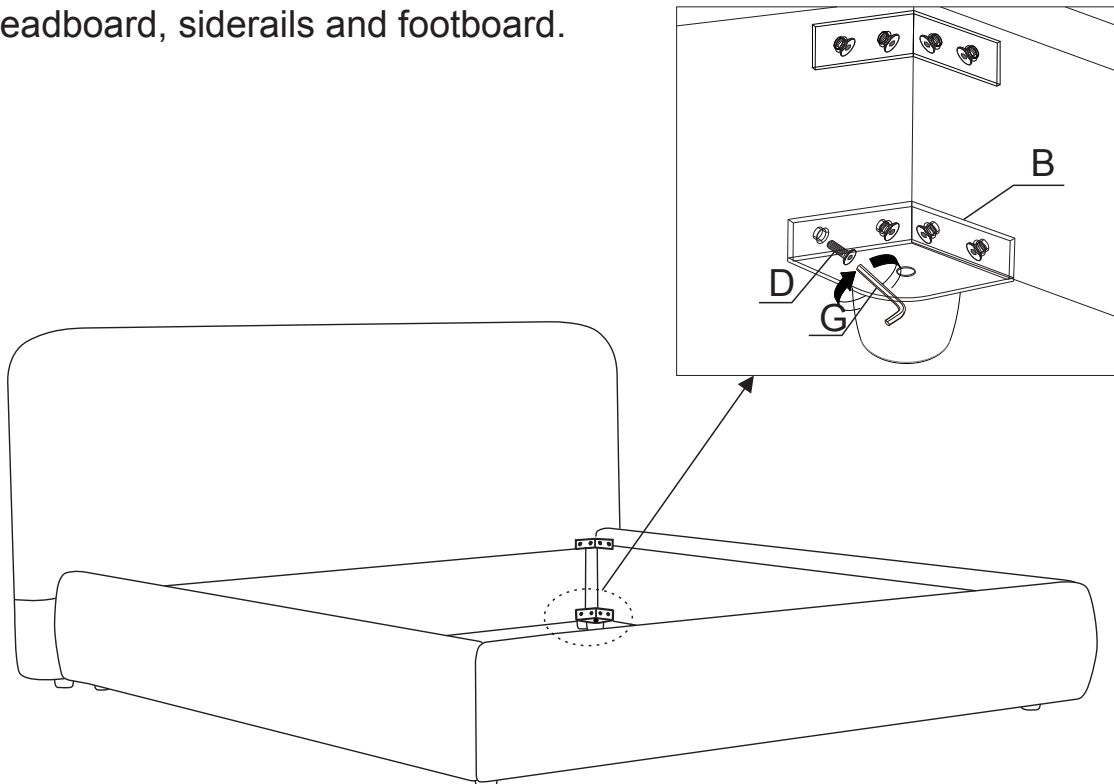
Tools Required

Power tools NOT recommended

- 2 Instal Metal support A with screw D to fix headboard, siderails and footboard.



- 3 Instal Metal support B with screw D to fix headboard, siderails and footboard.

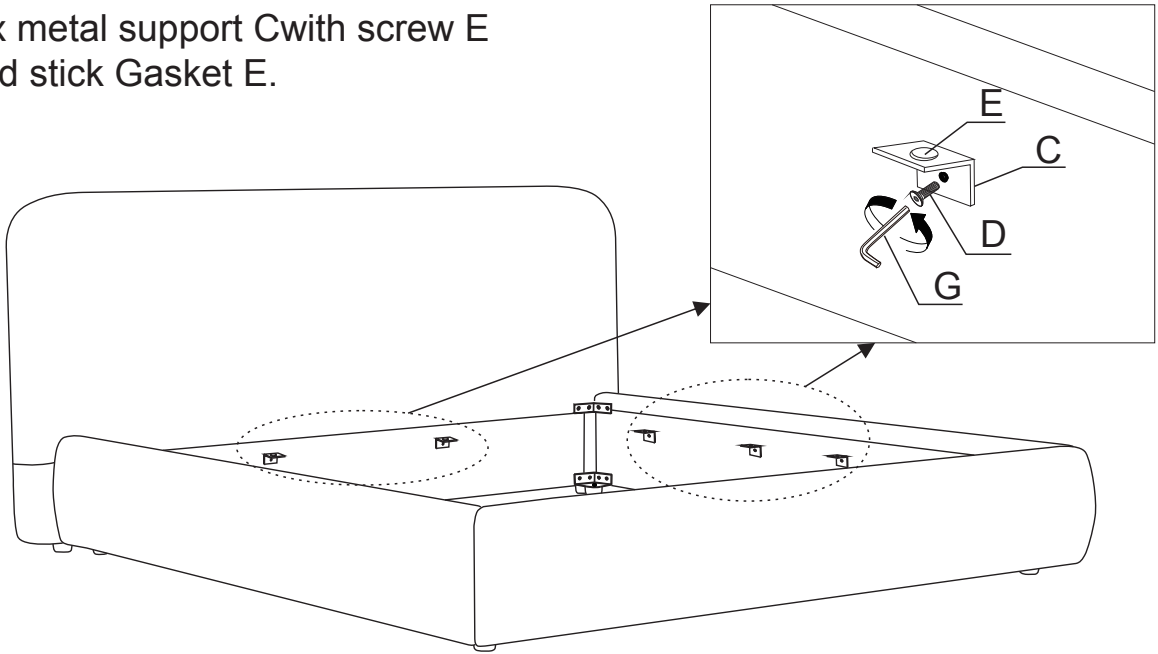


Hardware

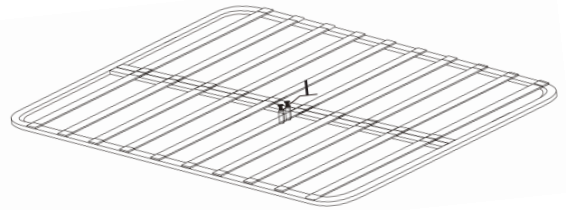
Tools Required

Power tools NOT recommended

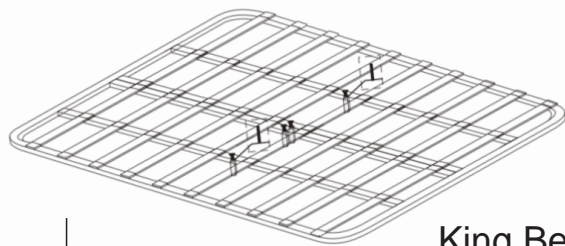
- 4 Fix metal support C with screw E and stick Gasket E.



- 5 Install H legon slat and put the slat on the bed.



Queen Bed



King Bed

