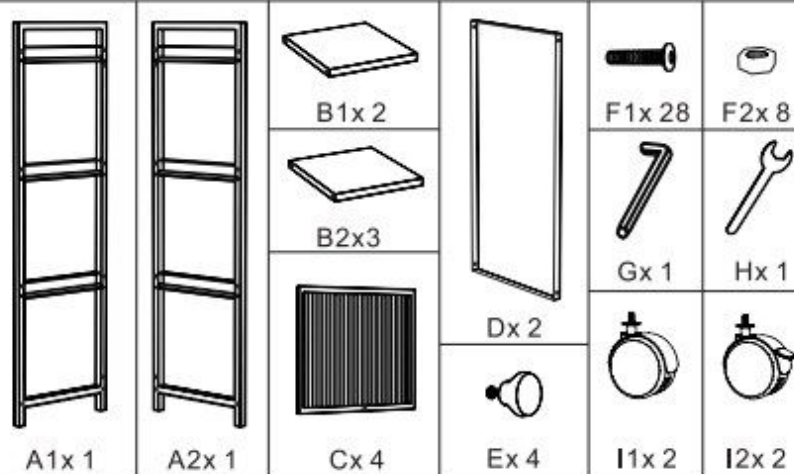


# CABINET

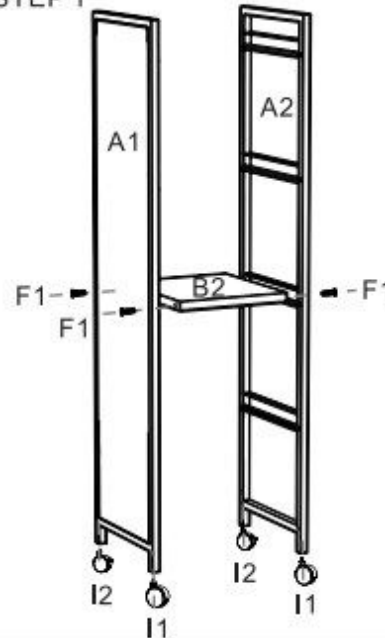
## Part List



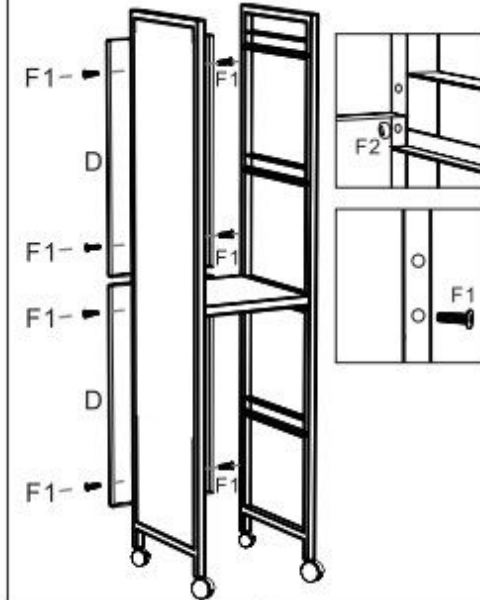
### Attention:

1. Please follow the instructions step by step to make sure all parts of the product match.
2. Please don't over screw or tighten all the screws before assembling complete to avoid jamming during installation.
3. Please make sure part (A1,2), are facing at the right direction.
4. This product contains glass, please be careful while moving or assembling certain parts.
5. In case of missing or damaged part, please contact us for replacement.

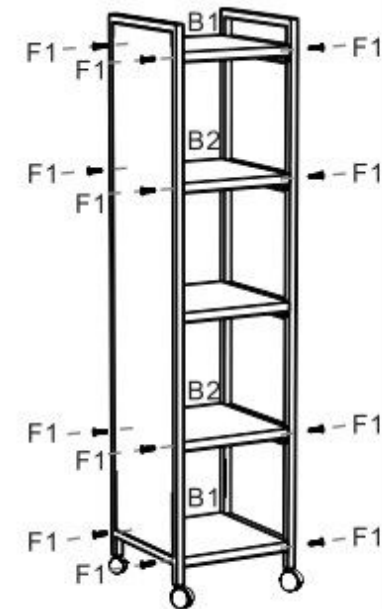
### STEP 1



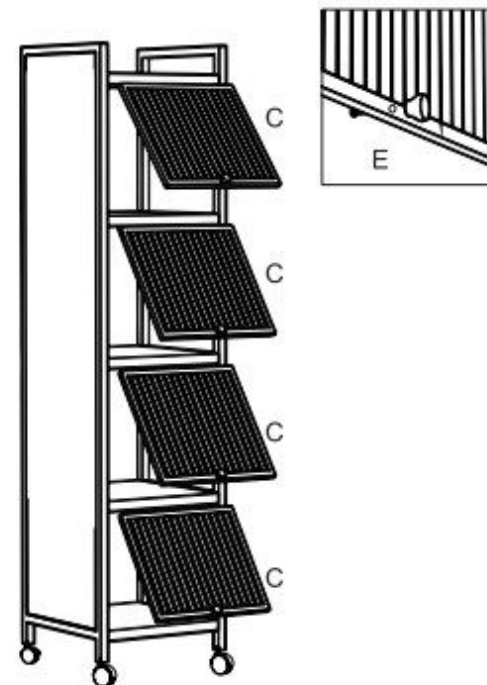
### STEP 2



### STEP 3



### STEP 4



### STEP 5

