

Storage Bench & Wall Unit

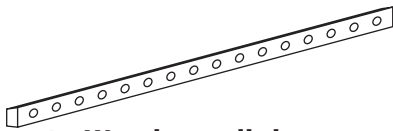
Congratulations on the purchase of your Storage Bench & Wall Unit. This storage bench & wall unit has been crafted to the highest standards of quality and safety and will give you many years of enjoyment and practical use.

Since this storage bench and wall unit is a natural wood product, there will be variations in color and grain and minor checking may occur. This is normal and does not compromise the integrity of your storage bench and wall unit. In fact, variation in character of solid hardwood is integral to the beauty and appeal of hardwood furniture and distinguishes it from prefabricated, synthetic and composite materials.

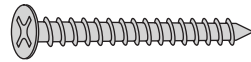
On this insert you will find a list of the hardware and parts included as well as detailed assembly instructions. Assembly is quite simple and requires only a Phillips head screwdriver. Assembly will be most easily accomplished if you take the time to carefully sort the hardware and familiarize yourself with the function of each piece.

Thank you and Enjoy

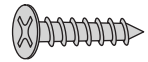
HARDWARE LIST



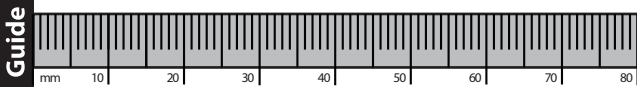
1x **Wooden wall cleat**



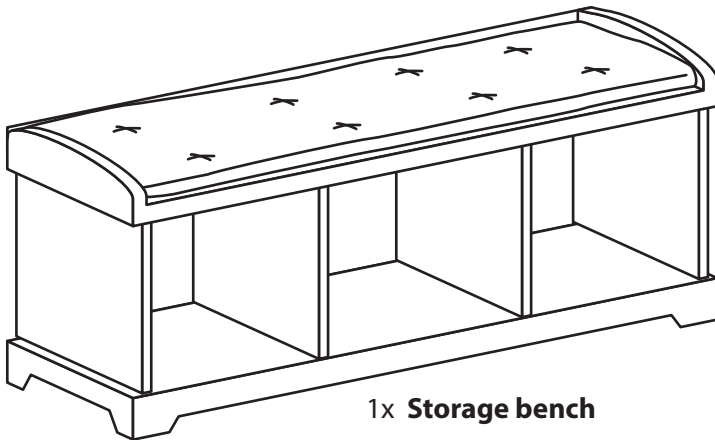
3x **80mm wood screws**
Used to install the wooden wall cleat into the studs



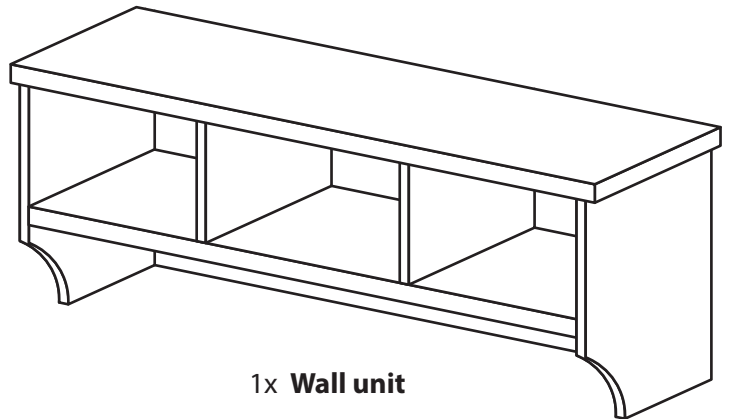
1x **25mm wood screw**
Used to secure the shelf to the wall cleat



PART LIST

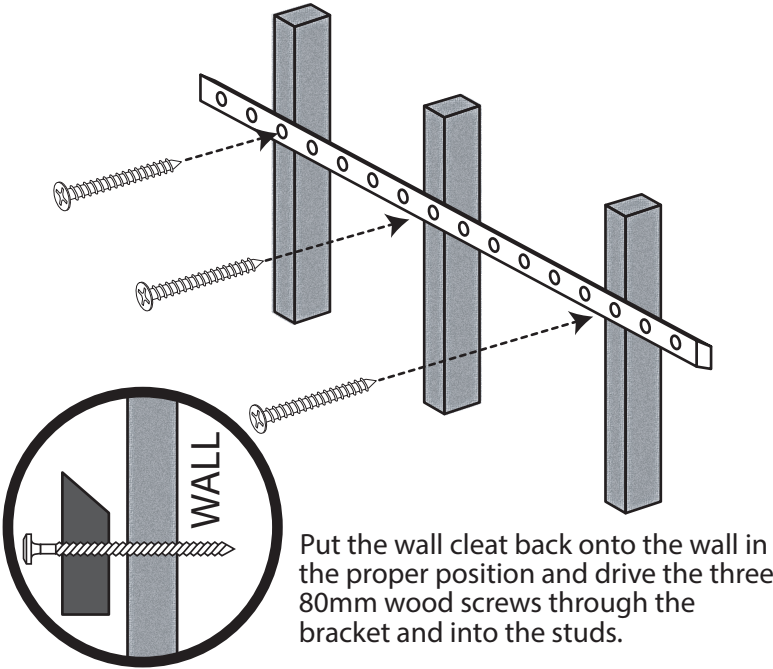


1x **Storage bench**

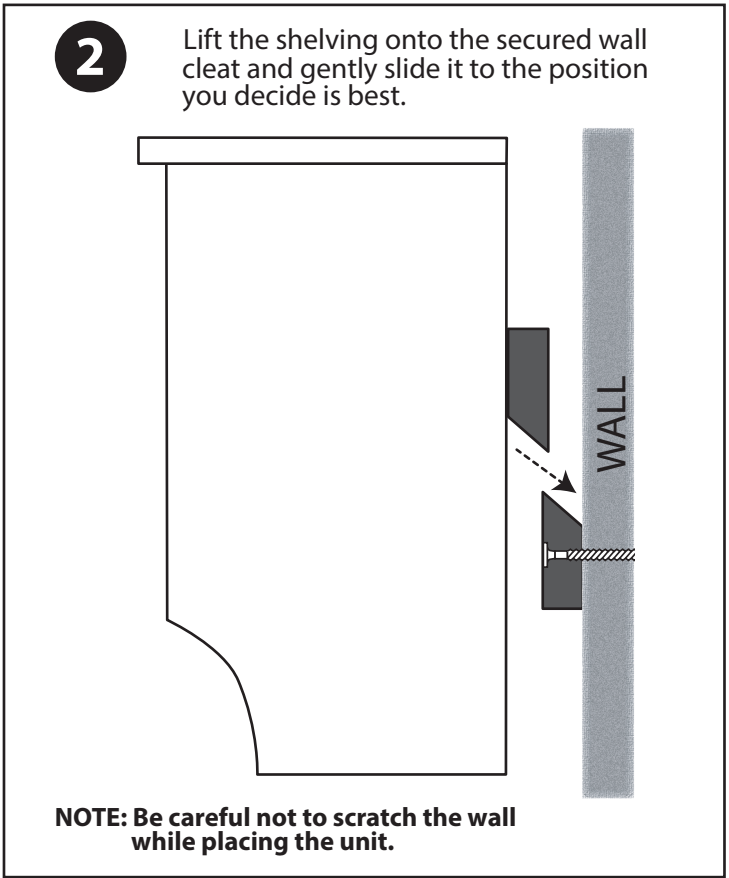


1x **Wall unit**

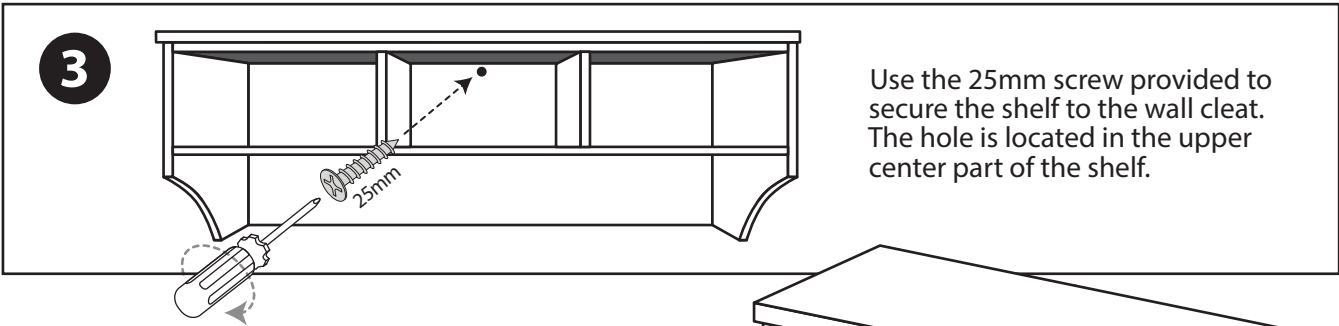
1 The holes on the wooden wall cleat are spaced 2" apart center to center. While making sure the bracket is level, mark the stud locations through the holes at the desired height. Using a drill with a 7/64" drill bit, drill through the drywall and as far into the studs as you can.



2 Lift the shelving onto the secured wall cleat and gently slide it to the position you decide is best.



3 Use the 25mm screw provided to secure the shelf to the wall cleat. The hole is located in the upper center part of the shelf.



4 Place the storage bench under the hanging storage shelf.

