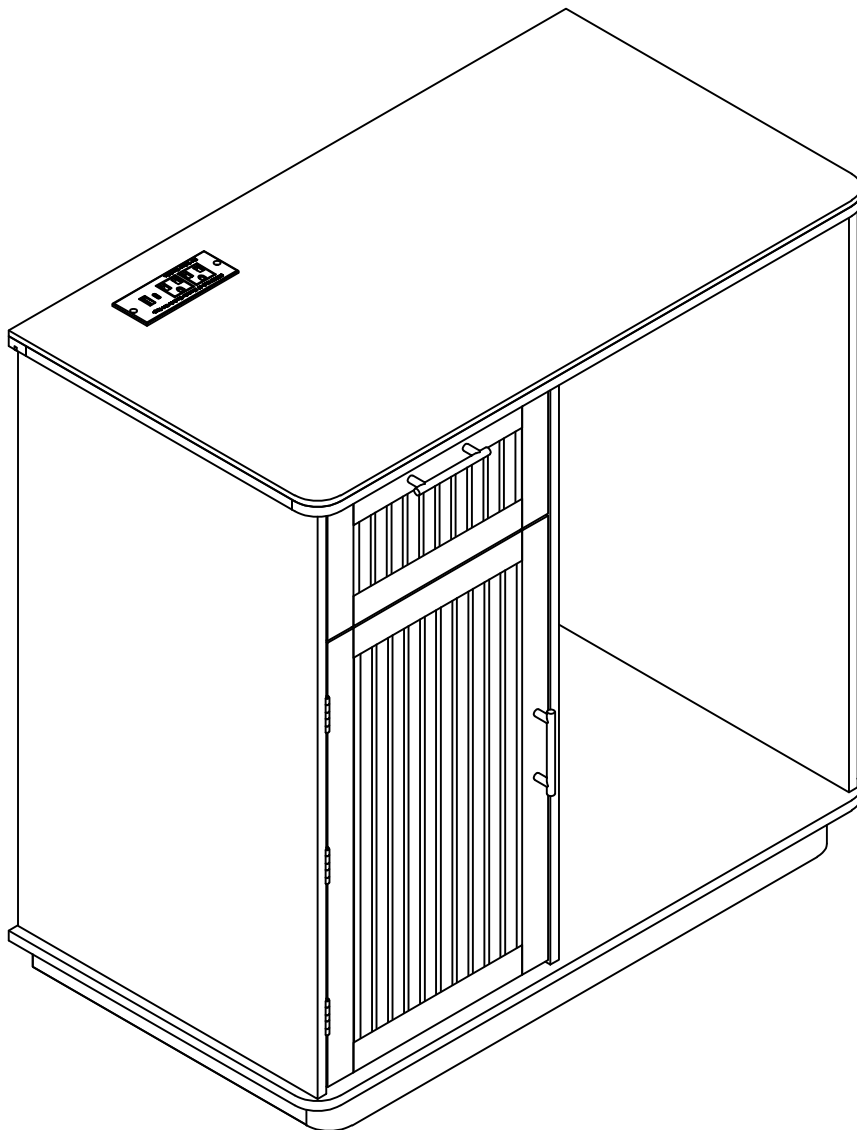


Assembling Instruction

Generating Drawings



ATTENTION

If there is any missing, please kindly send us messages to let us know the name of missing part regarding to the first page of instructions.

We will send replacement to you asap. We are concerned about each customer's experience, if there is any loss or damage, please contact us at any time, we will provide effective solutions.

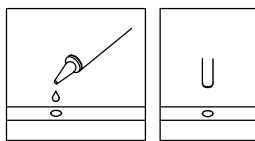
Please attach your Order ID so that we can assist you better.



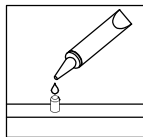
General Assembly Guidelines

- I. Ensure that all parts and hardware are available before beginning assembly.
- II. Follow each step carefully to ensure the proper assembly of this product.
- III. Two people are recommended for ease in the assembly of this product.
- IV. The three main types of hardware used to assemble this product are : wood dowels , screws and bolts.

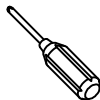
- V. The provided glue is to secure wood dowels in place . When first inserting dowels , locate the appropriate hole for the dowel , place a small amount of glue in the hole and insert the dowel . Wipe away excess glue immediately.



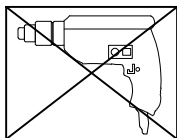
In future assembly steps when dowels are necessary to attach assembly parts together , place a small amount of glue on the end of the dowel before attaching parts together . Wipe away excess glue immediately.



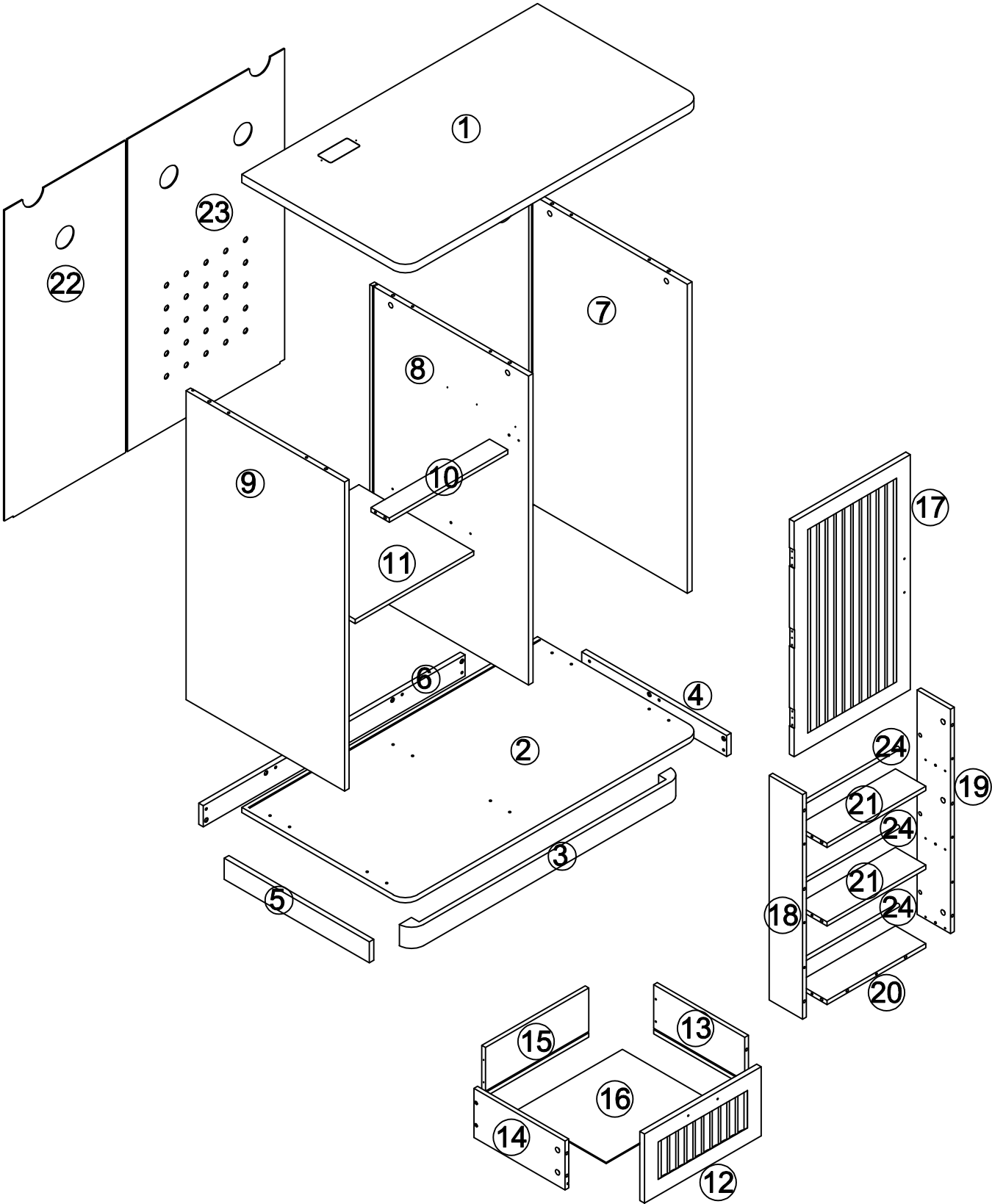
- VI. A Phillips head screwdriver is required for the assembly of this product .



- VI. Power tools should not be used to assemble this product .

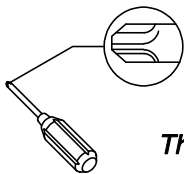


Parts List



HARDWARE PACK CONTENT

 Ø6x32mm	 Ø15x9mm	 Ø6x50mm	 M4		 Ø3x17	
30X+3	30X+3	6X+1	1X	14X+2	14X+2	1X
	 Ø4x19mm		 Ø4x32mm		 Ø30mm	 Ø6x30mm
1X	4X+1	2X	4X+1	1X	30X+3	29X+3
 Ø3x12mm		 50mmx20mm	 Ø3x19mm		 M6x12mm	
23X+3	1X	3X	9X+1	10X	20X+2	2X
 Ø4x14mm	 Ø4x40mm	 Ø6x40mm		 Ø3x12mm		
2X	2X	2X	1X	2X		



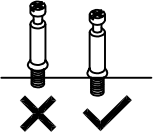
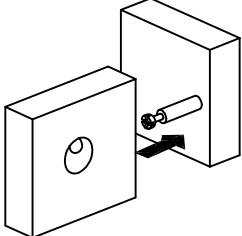
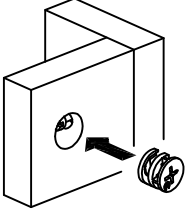
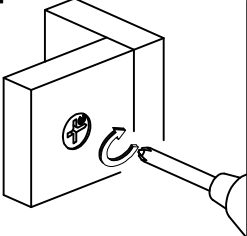
Philips head screwdriver required for assembly

(not included)

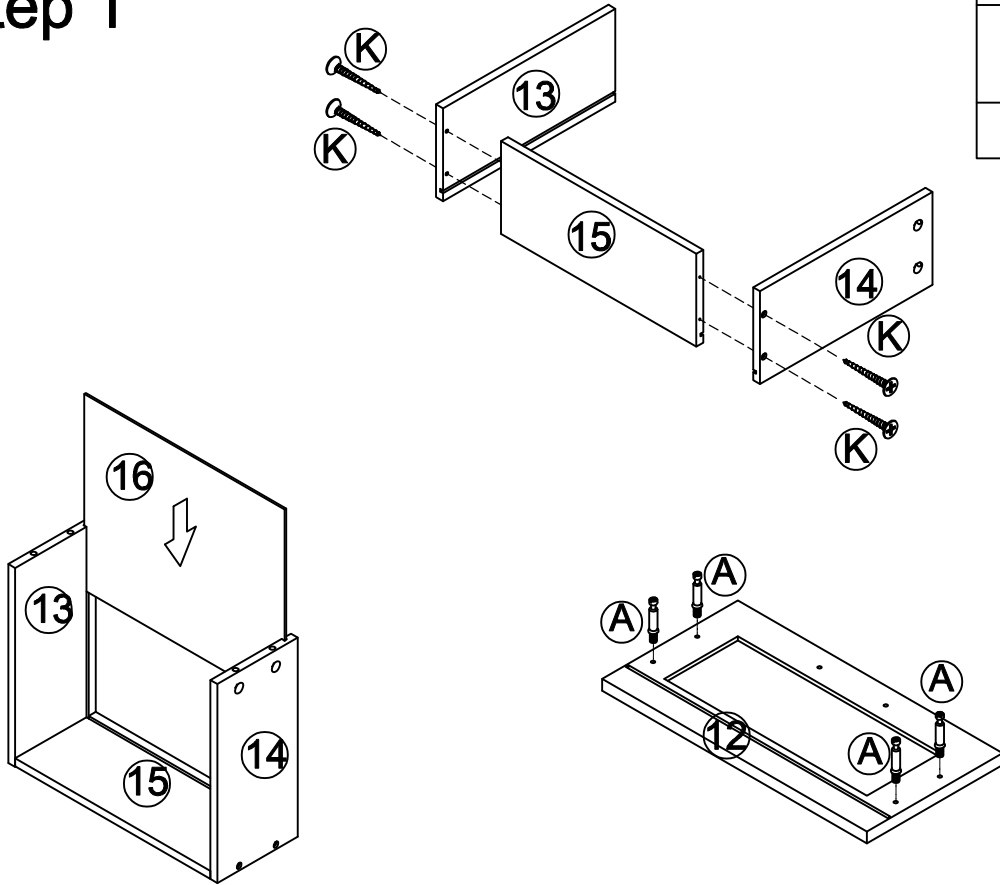
*The hardware quantities listed above are required for proper assembly.
Some extra hardware may also have been included.*

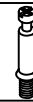

CAM LOCK/BOLT FASTENING INTRODUCTION

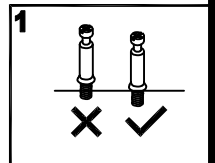
(You will use it during assembly)

1 	2 	3 	4 
1.Screw cam bolt into the threaded anchor gently. (Attention:don't screw cam bolt too deep or too shallow.)	2.Please connect the 2 boards you want connect by inserting cam bolt.	3.Insert the cam lock into the round hole of the board. (Attention:point the arrow on the top of the cam lock to the outer edge.)	4.Turn the cam lock clockwise until it is firmly tightened.

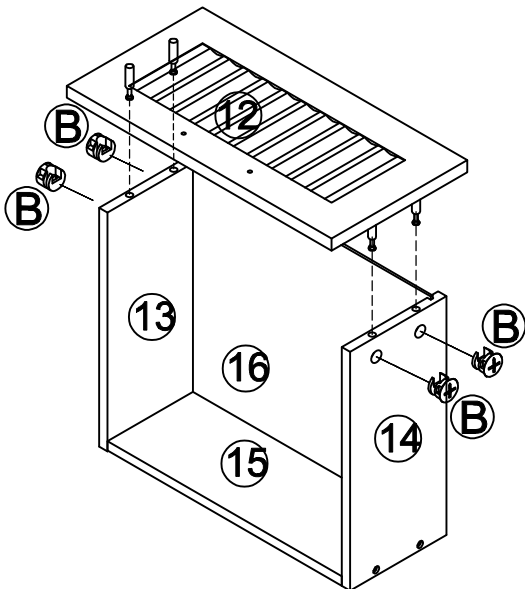
Step 1

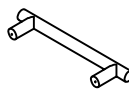





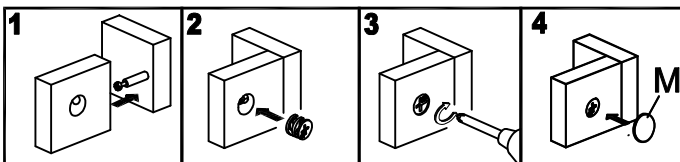
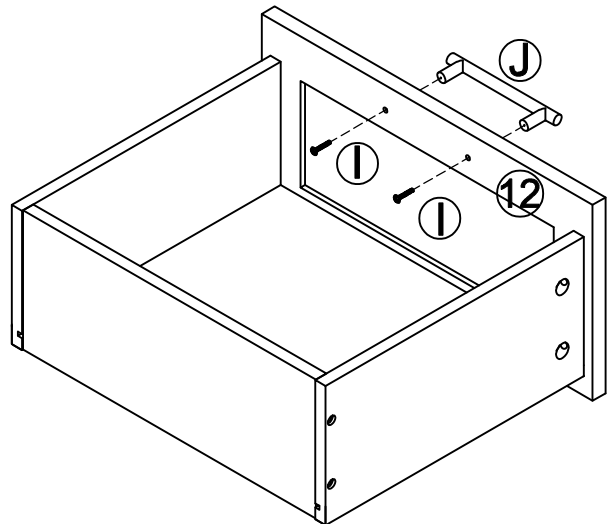
A	K
	
X4	X4



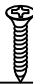
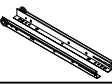
Step 2



J	I	M	B
			
X1	X2	X4	X4

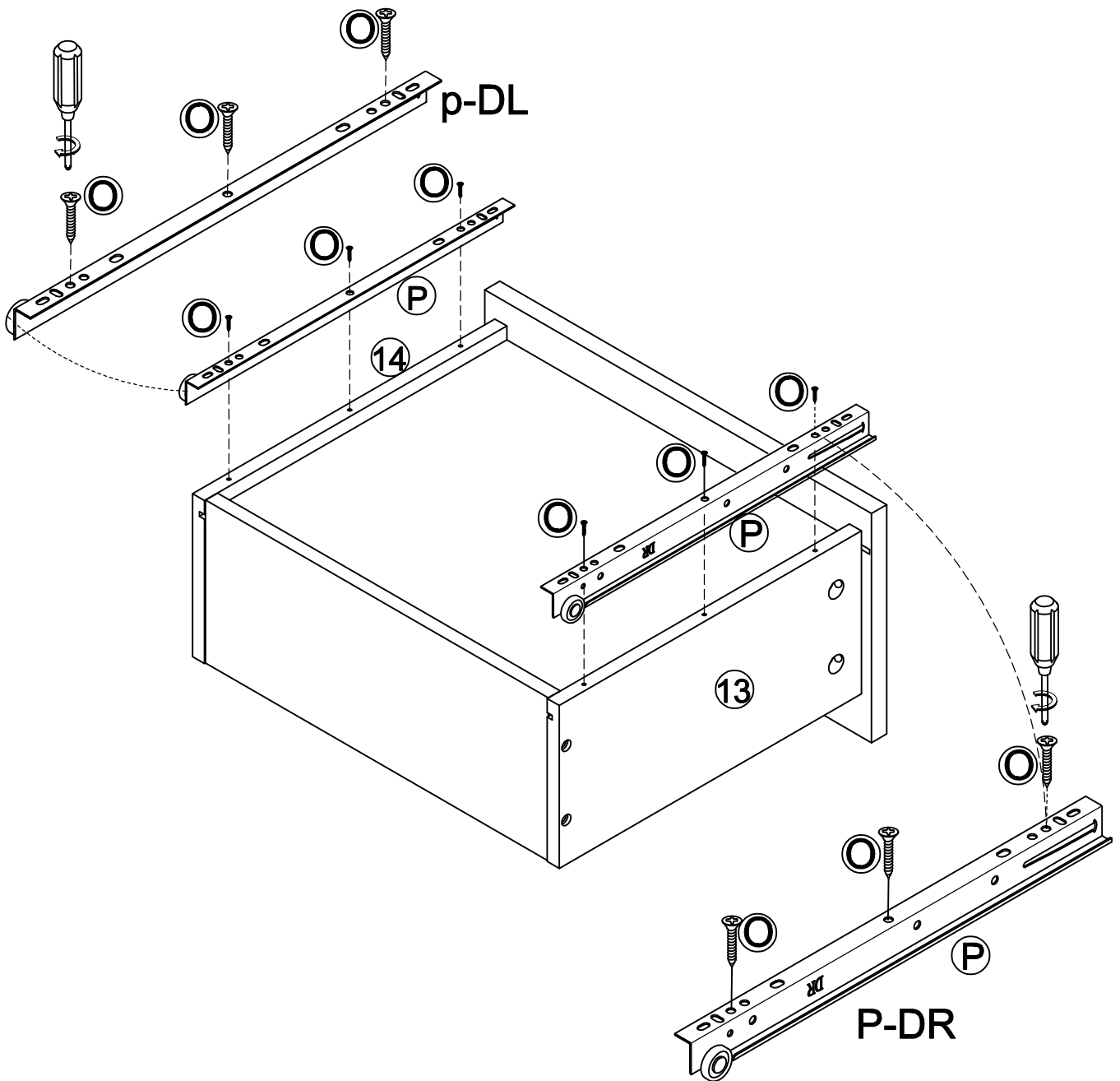


Step 3

O	P
	
X6	X1

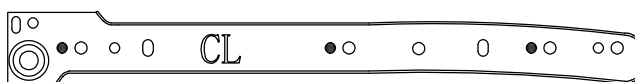


Refer to the images to identify P-DL (left) and P-DR (right). Attach P-DL to #14 panel and P-DR to #13 panel. [O] screws must go in the exact spots shown.

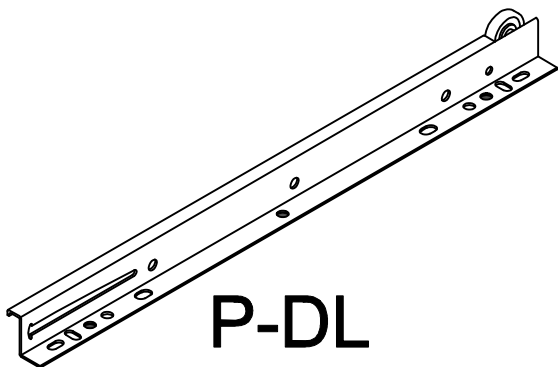
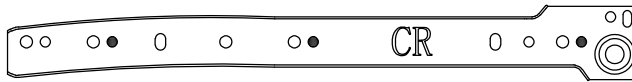


Step 4

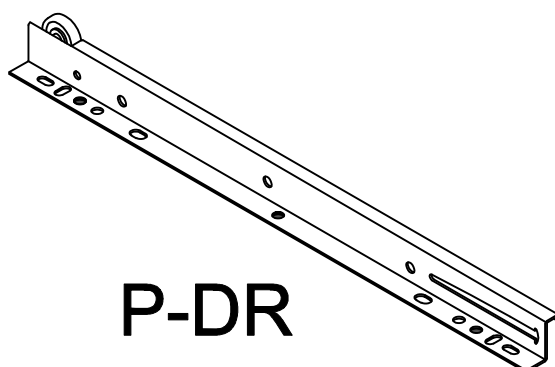
P-CL



P-CR



P-DL



P-DR

Step 5

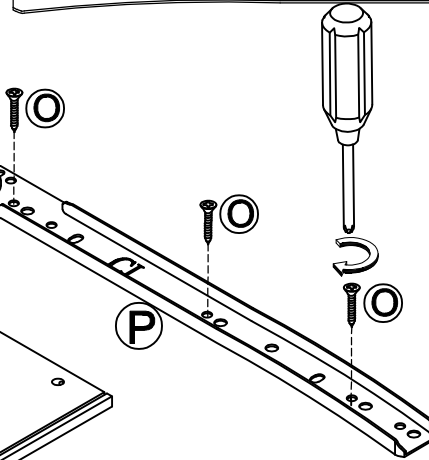
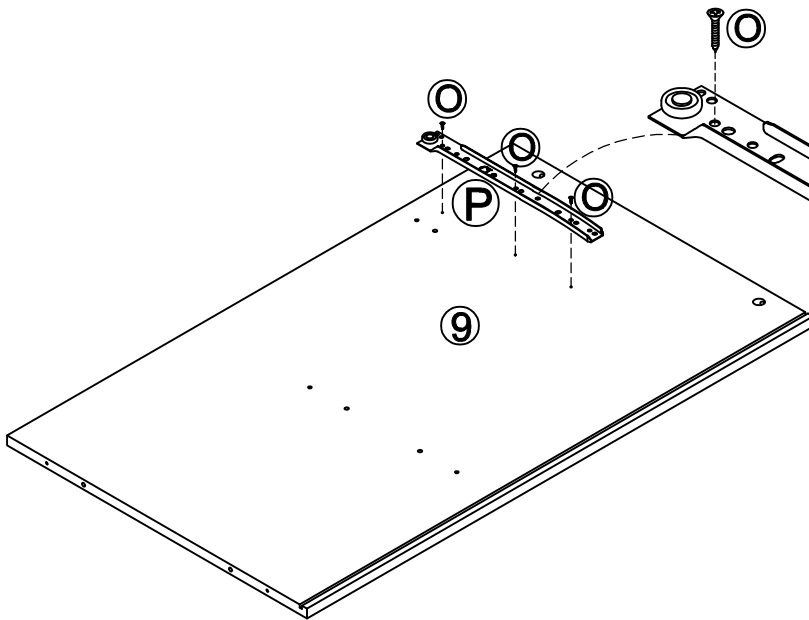
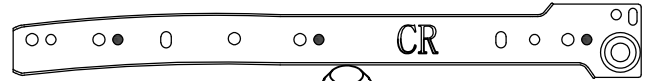
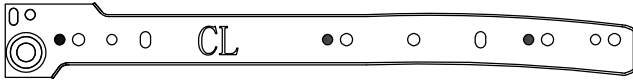
NOTE:



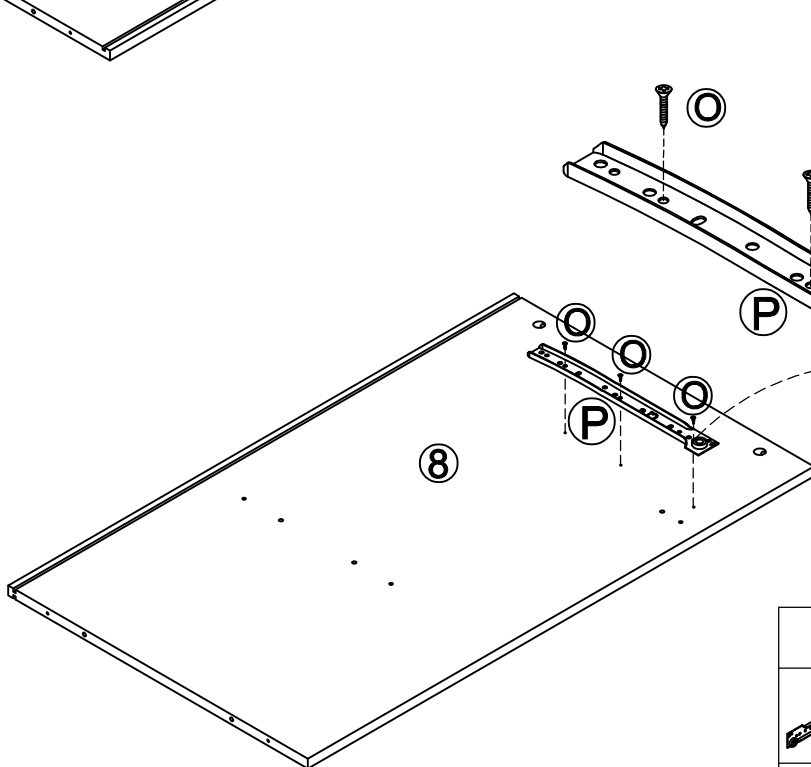
Refer to the images to identify P-CL (left) and P-CR (right). Attach P-CL to #9 panel and P-CR to #8 panel. [O] screws must go in the exact spots shown.

P-CL

P-CR




P-CL

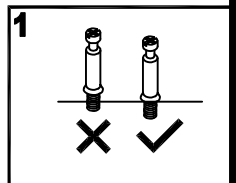
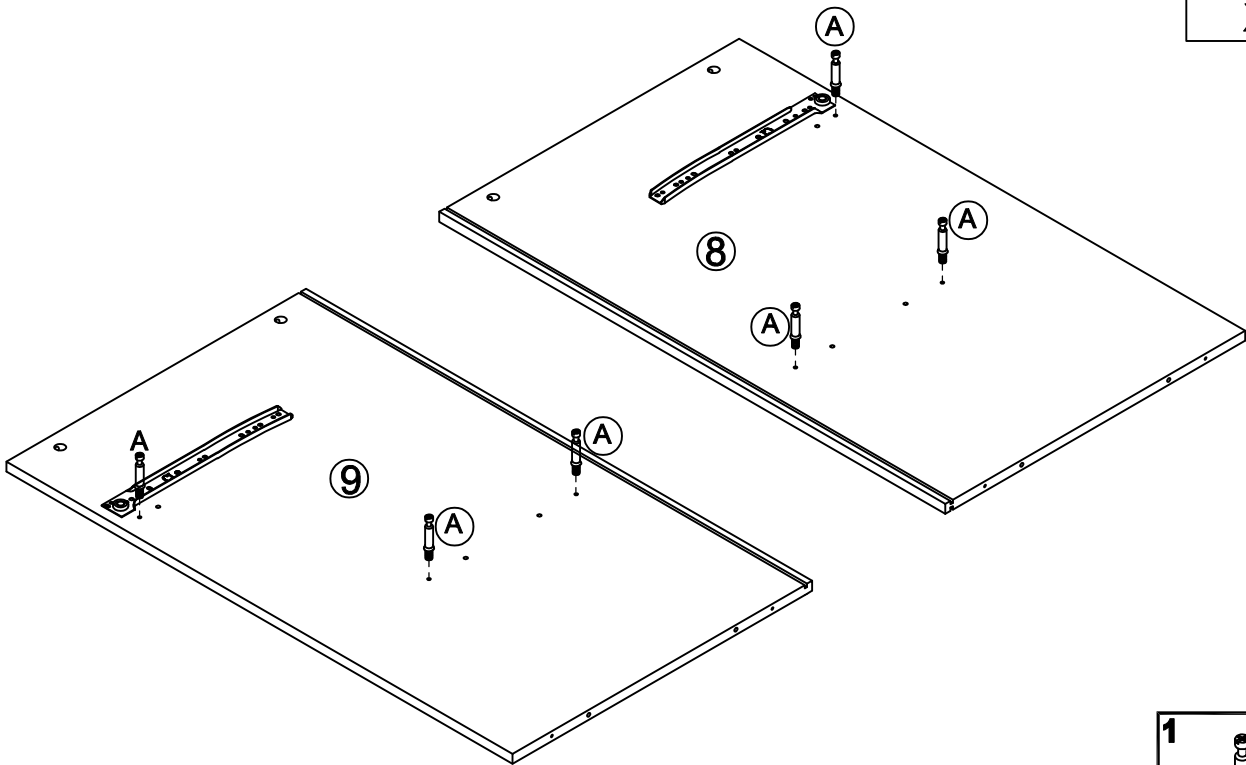


P-CR



P	O
X1	X6

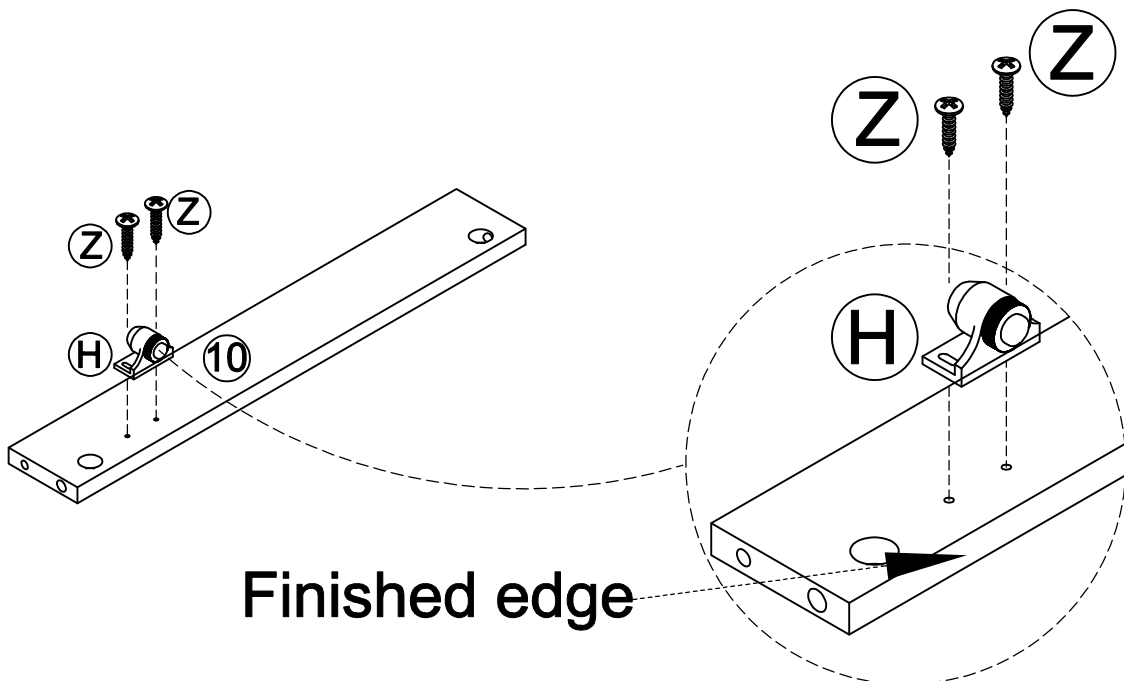
Step 6

A

X6






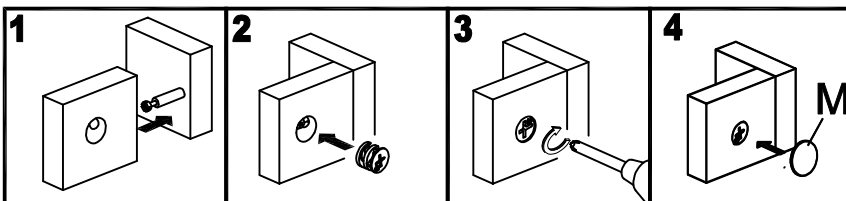
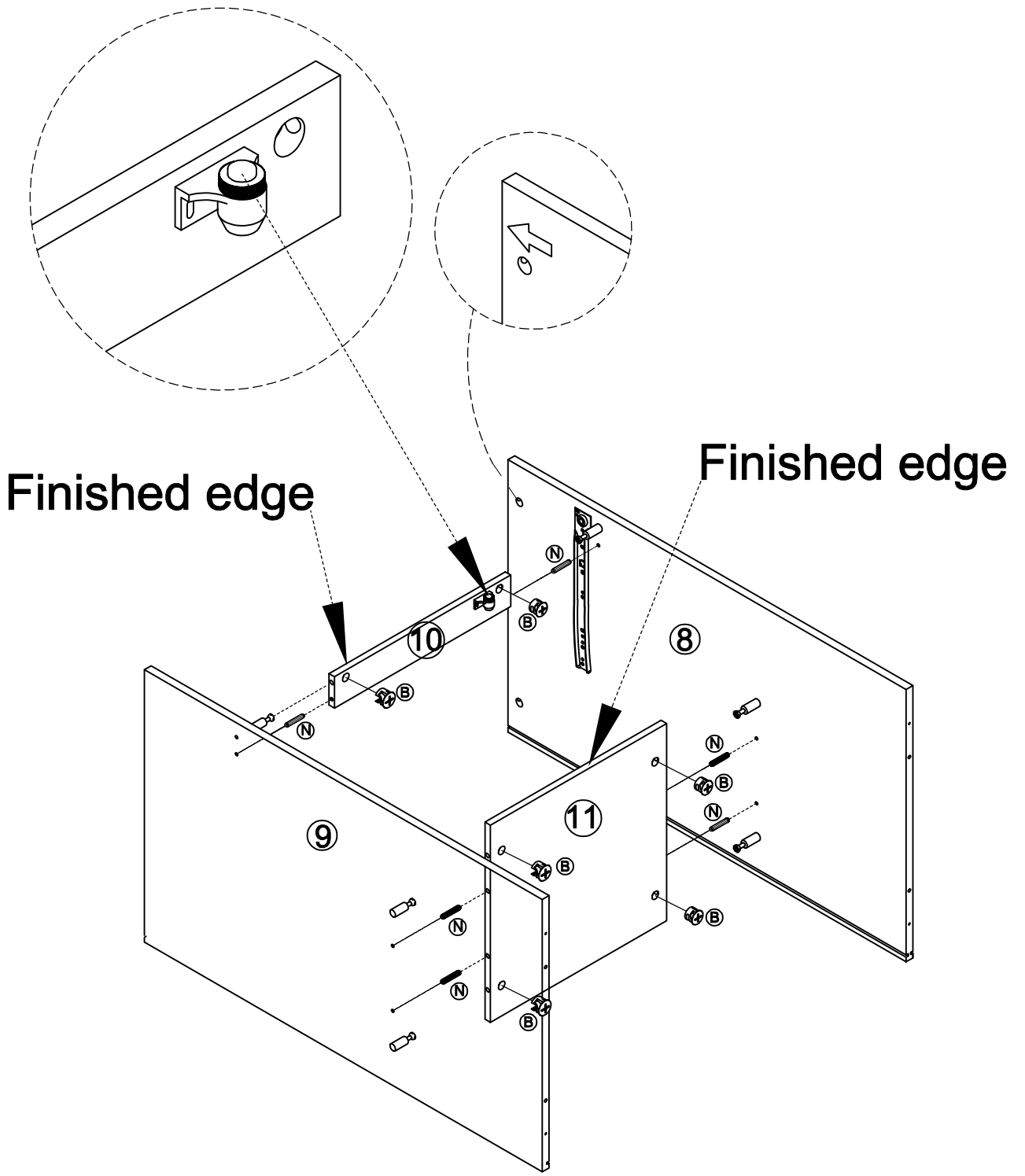
Step 7

Z	H
	
X2	X1






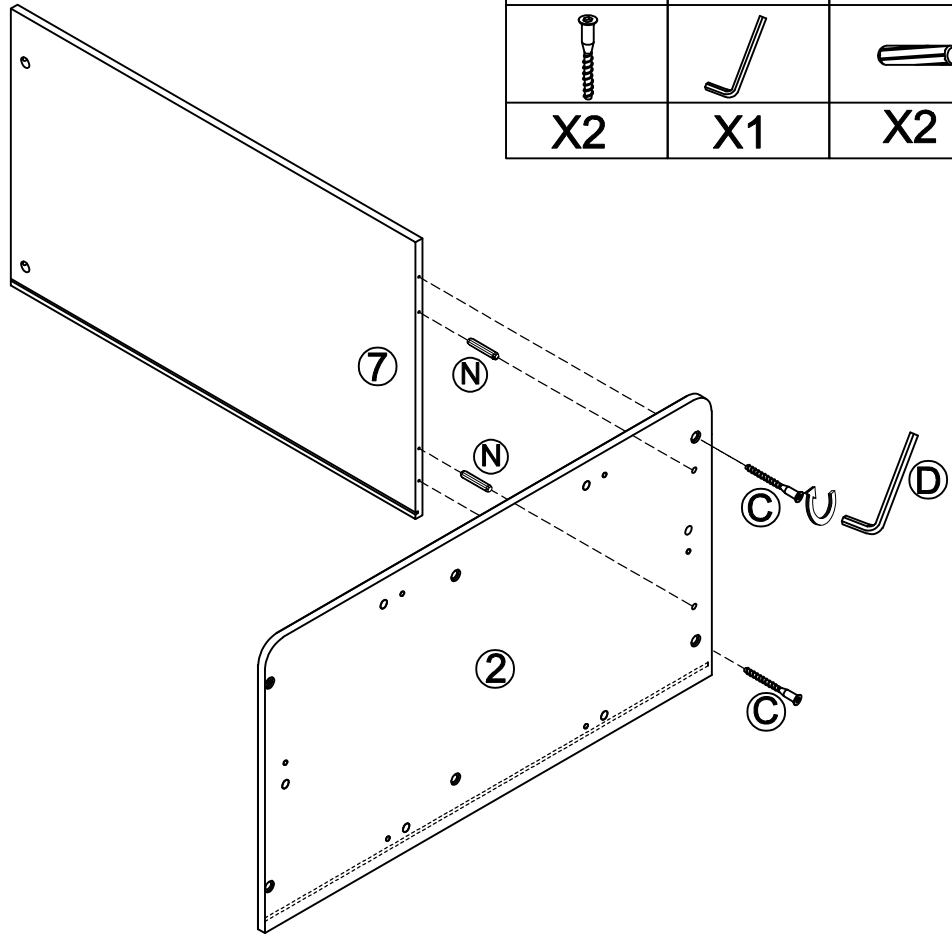
Step 8

N	M	B
		
X6	X6	X6






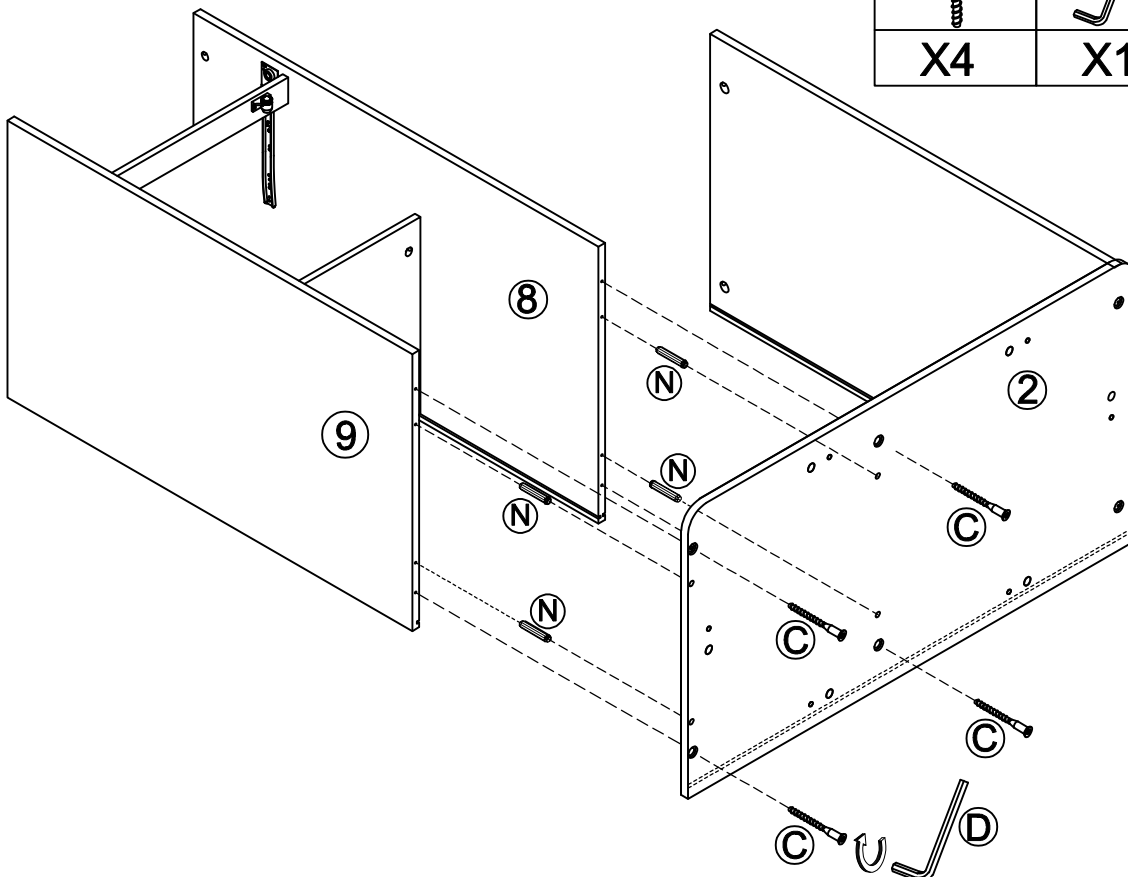
Step 9

C	D	N
		
X2	X1	X2

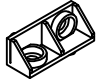




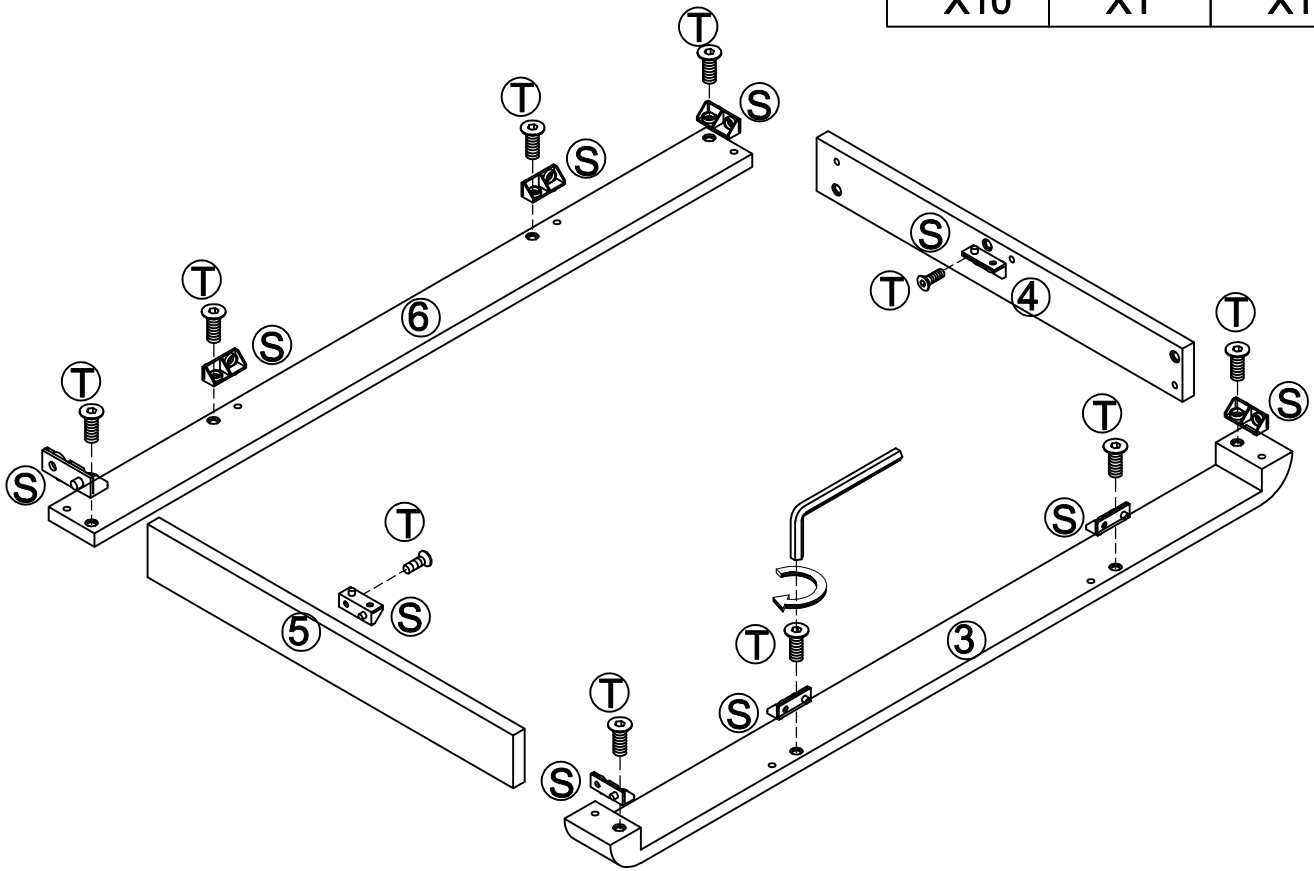
Step 10

C	D	N
		
X4	X1	X4

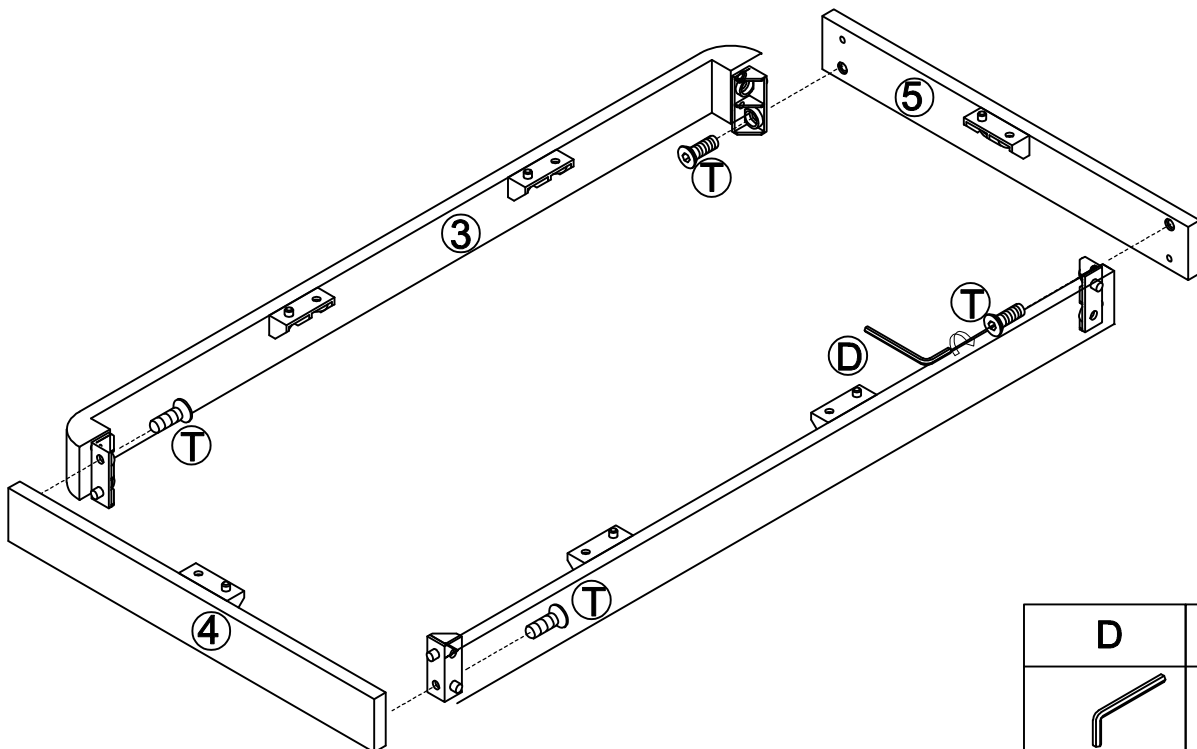


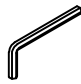

Step 11

S	D	T
		
X10	X1	X10





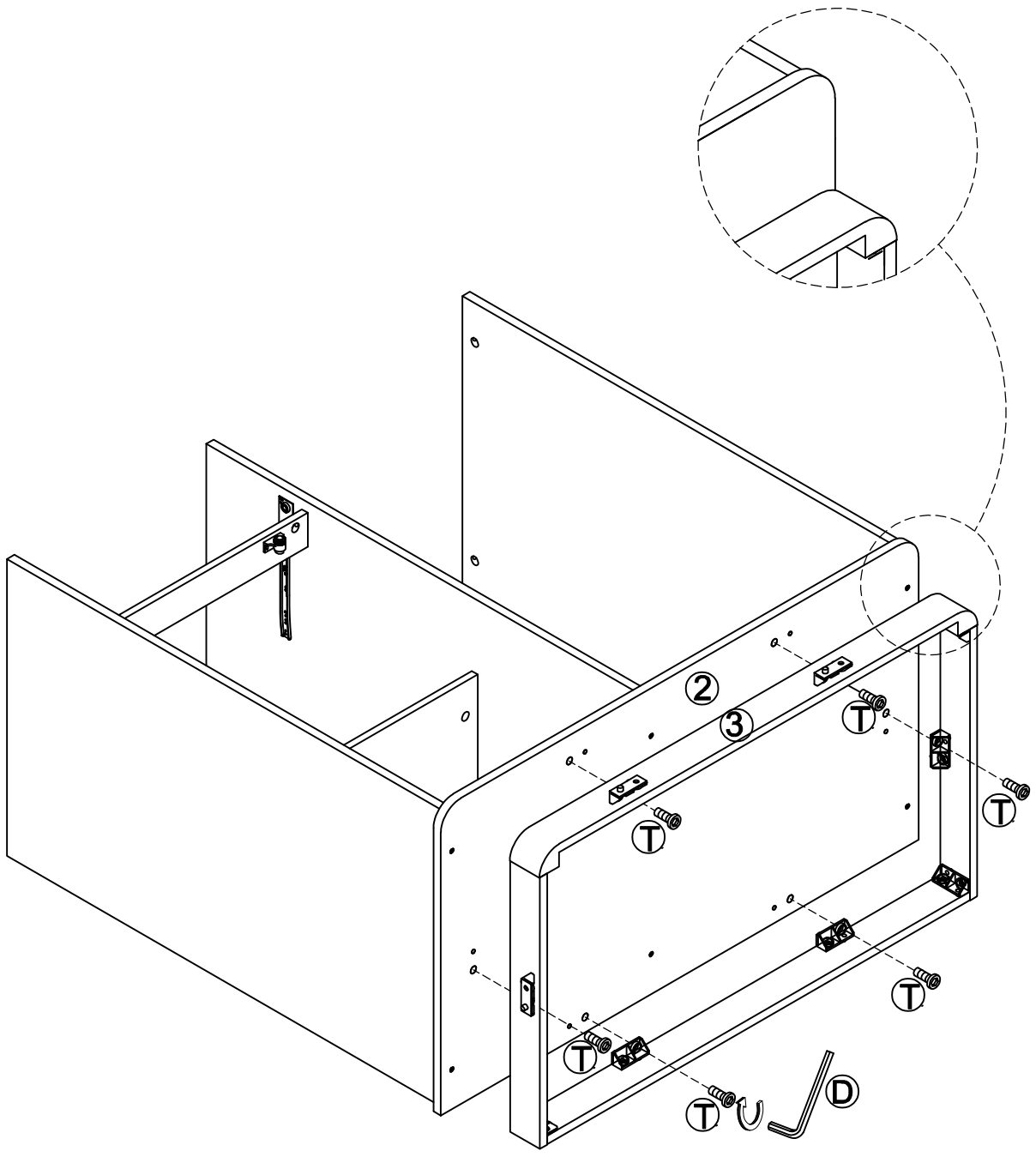
Step 12



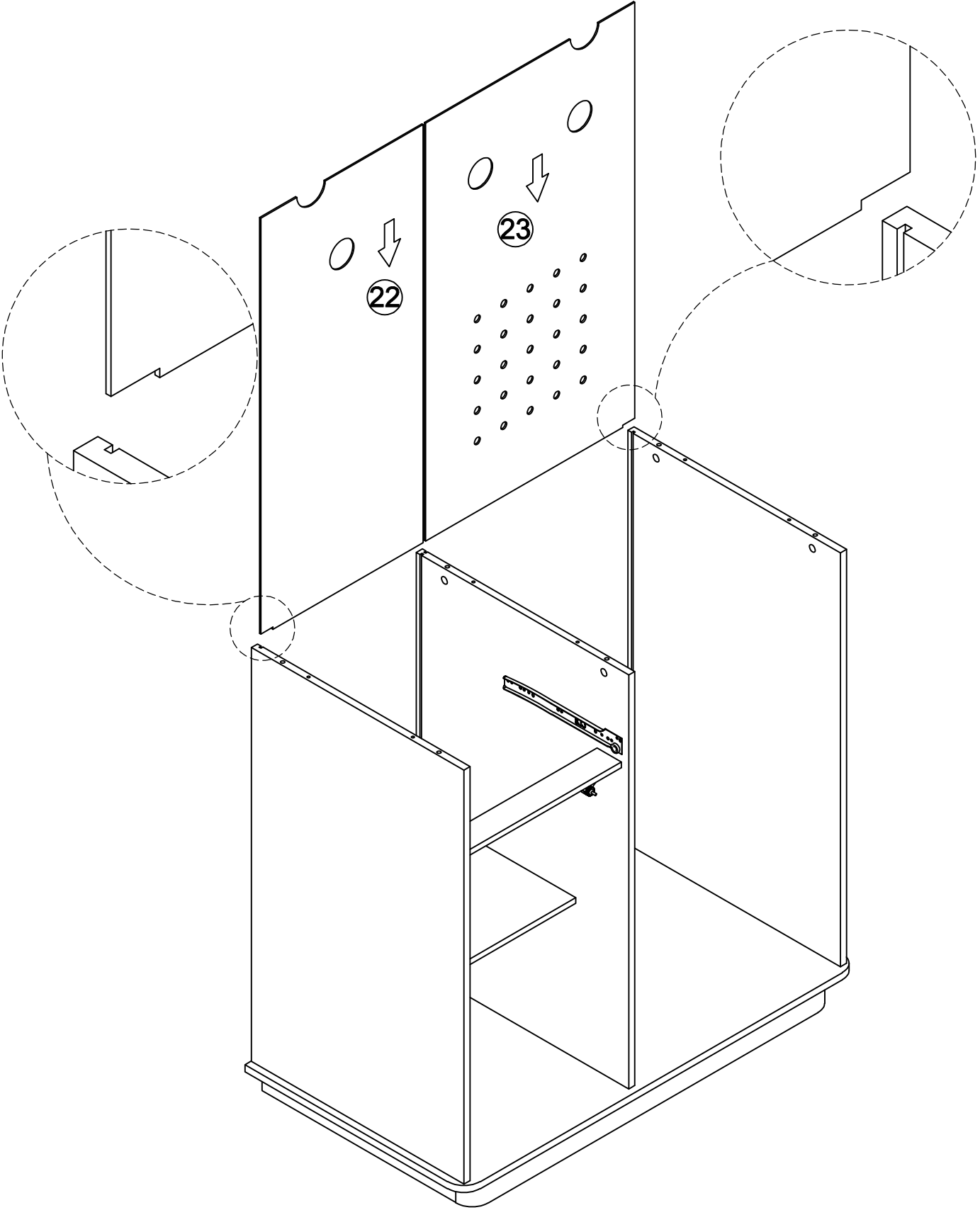
D	T
	
X1	X4

Step 13




T	D
	
X6	X1

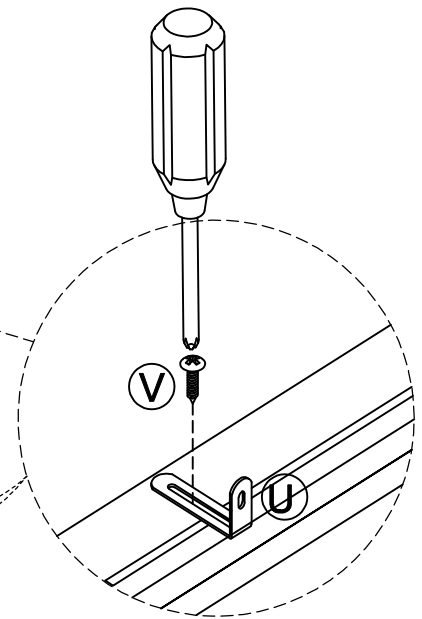
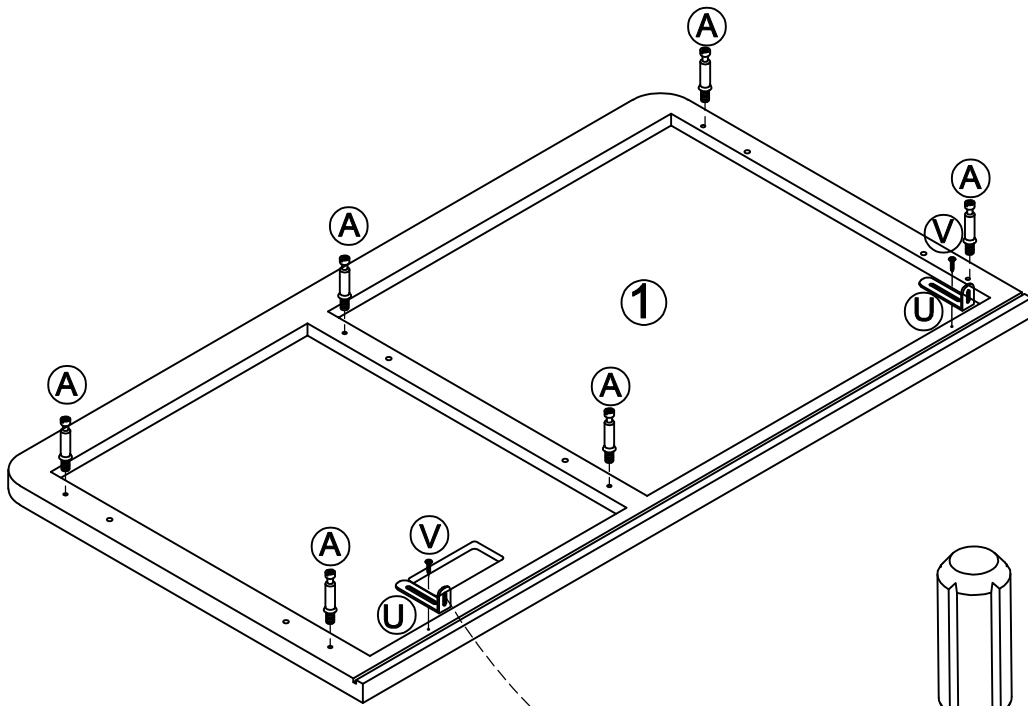


Step 14

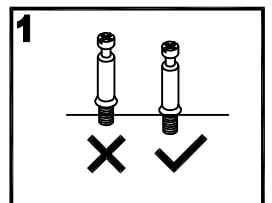


Step 15




U	V	A
		
X2	X2	X6

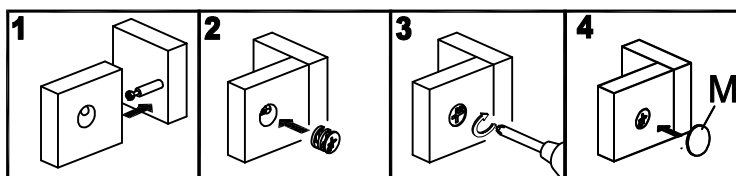
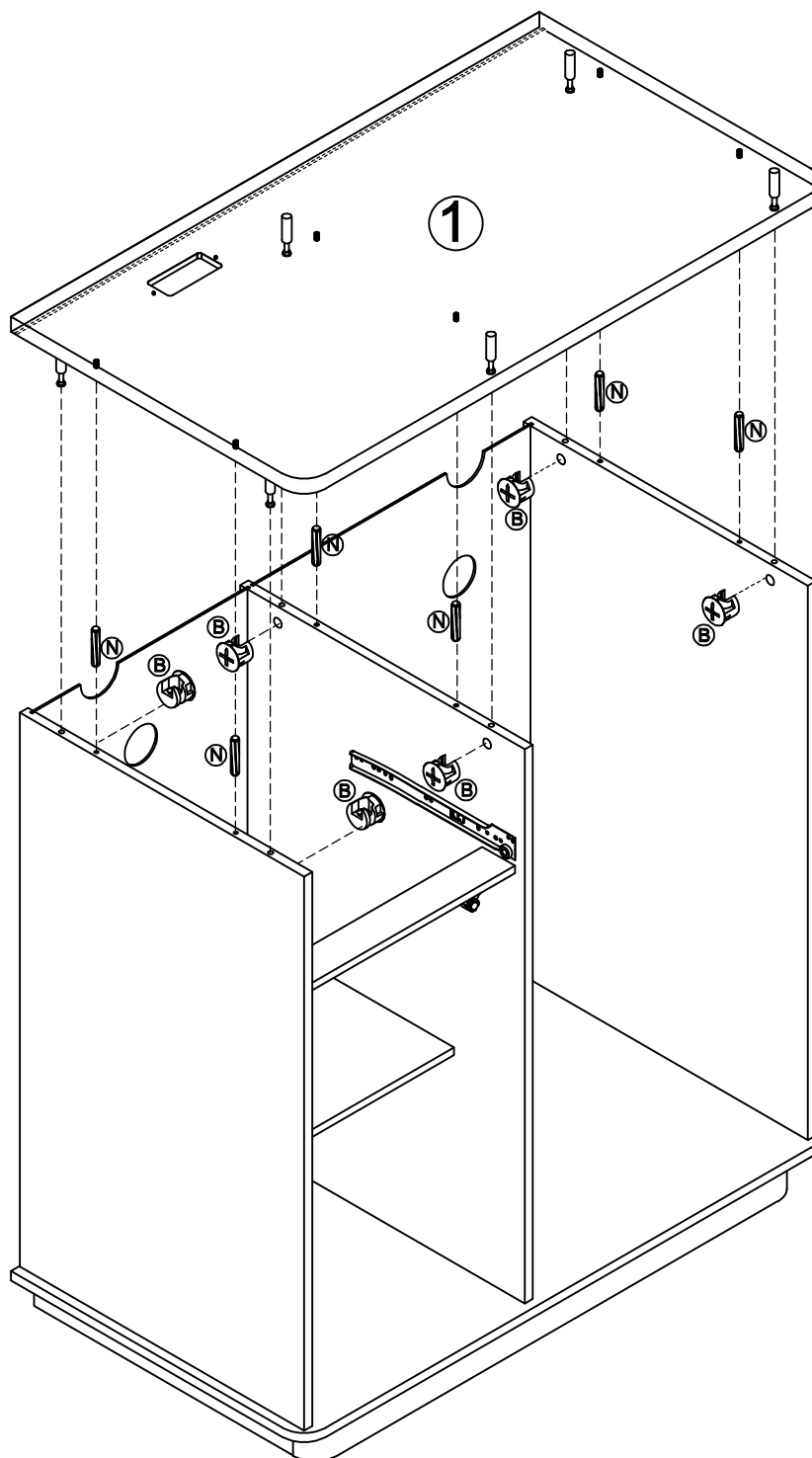


NOTE: Secure U with V to 95% tightness, you can adjust the distance when locking the wall.

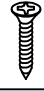
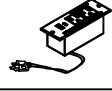
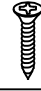
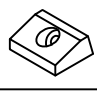


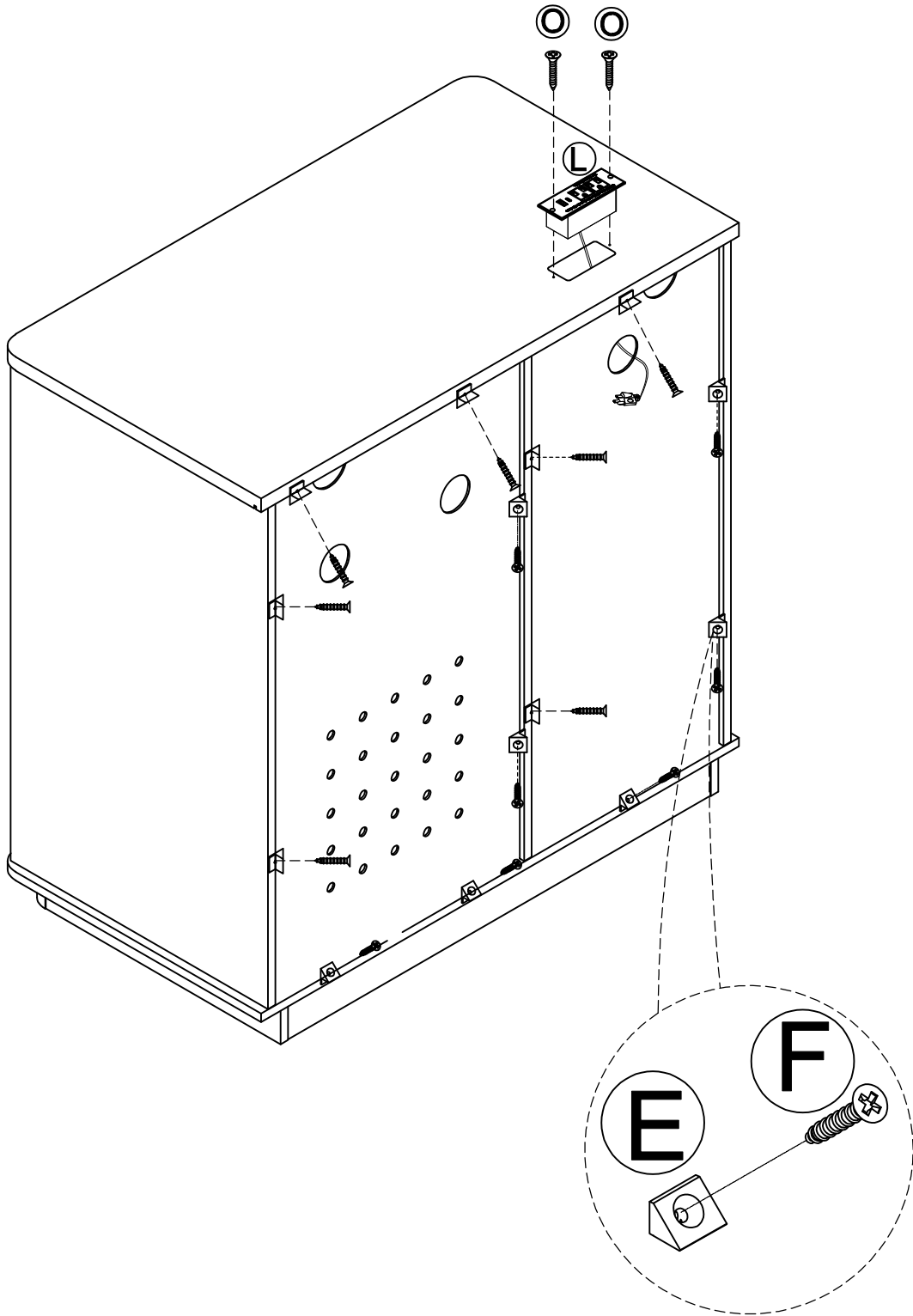
Step 16

N	M	B
		
X6	X6	X6



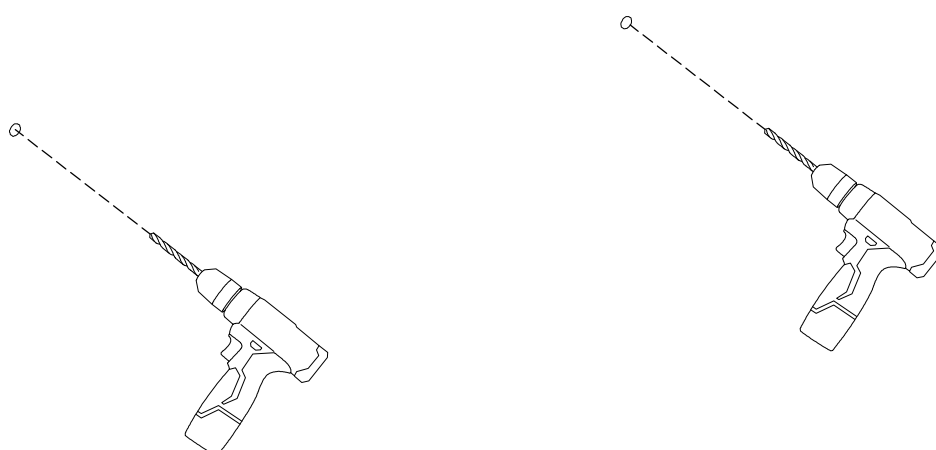
Step 17

O	L	F	E
			
X2	x1	X14	X14



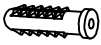
Step 18

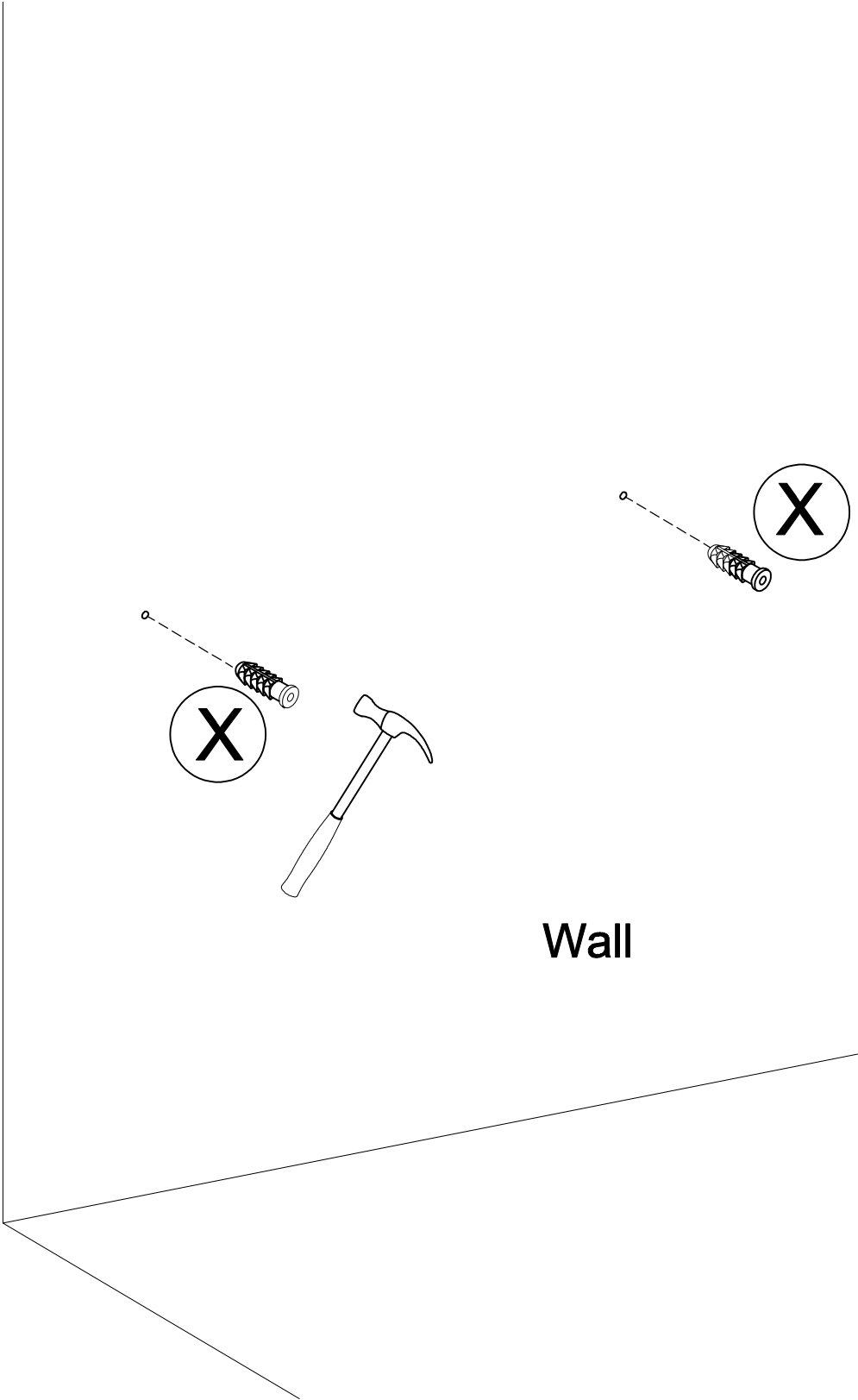
Make TWO holes 40MM deep



Wall

Step 19

X

X2



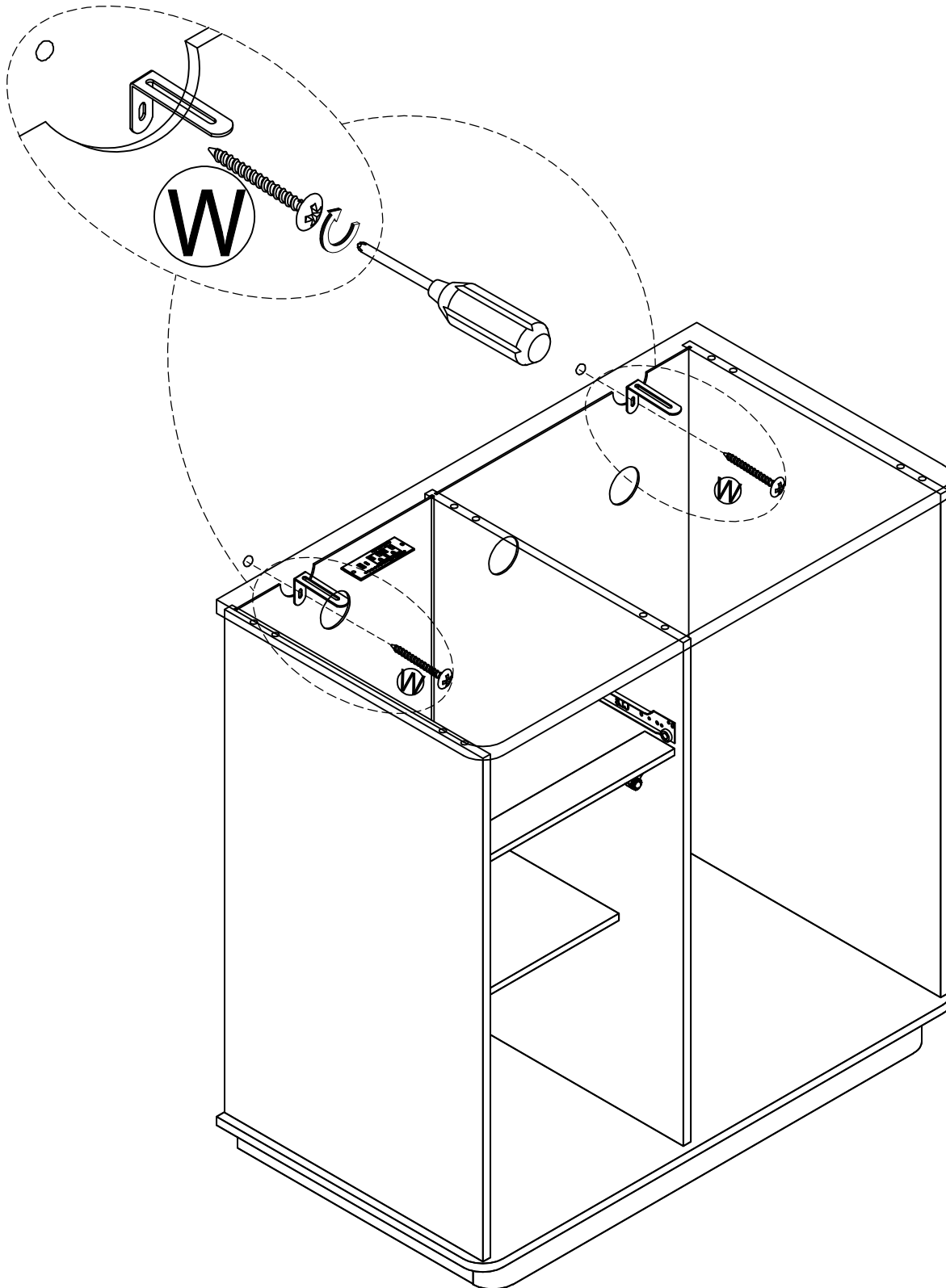
Wall


Step 20

NOTE:

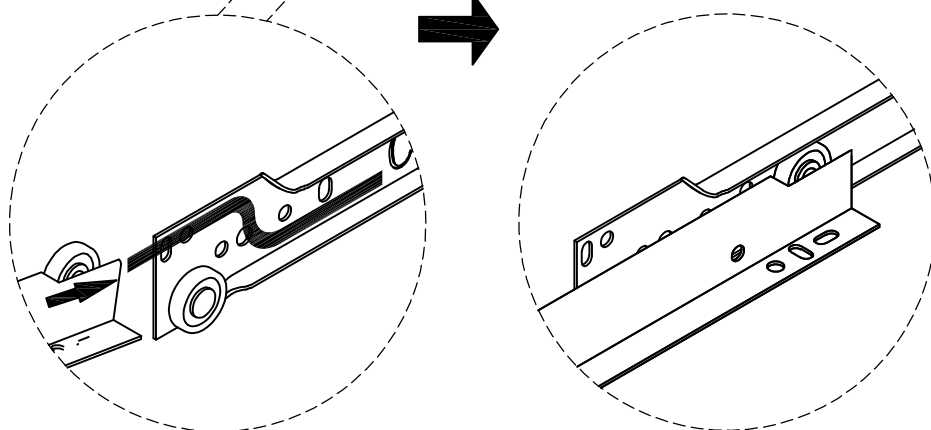
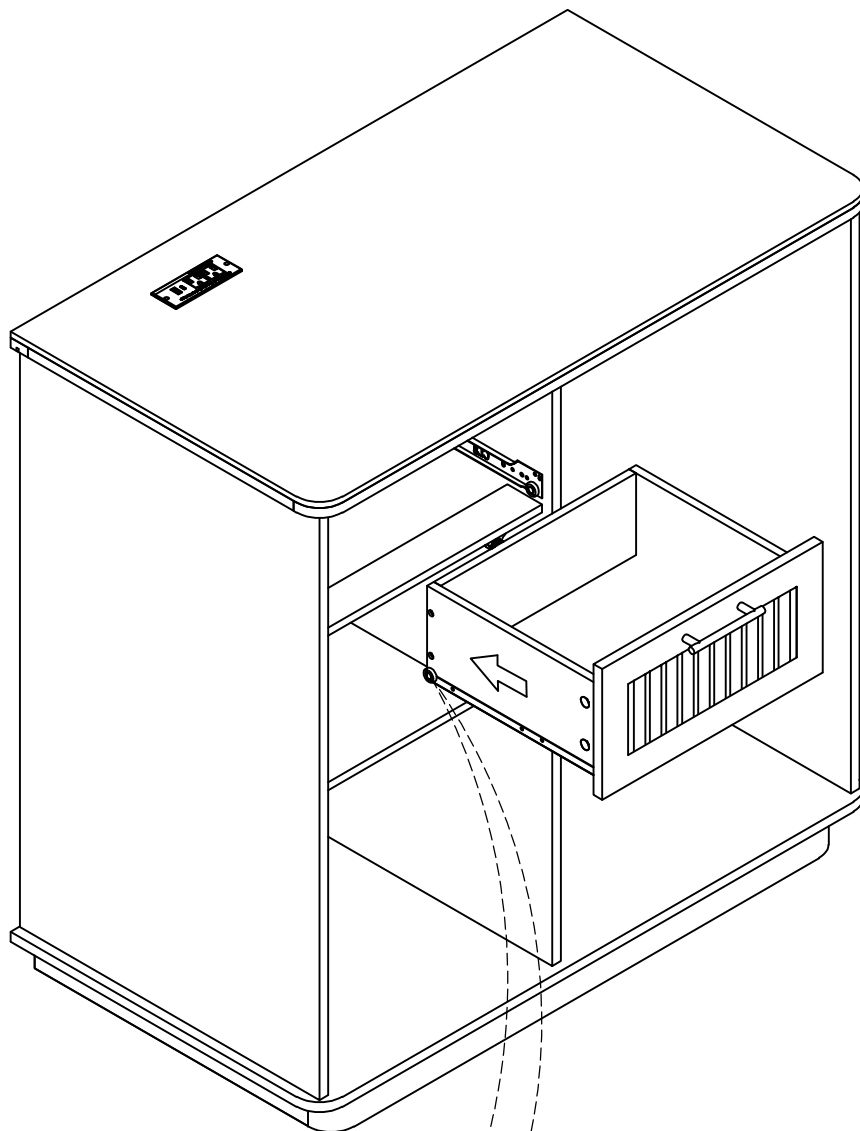


According to the distance between the cabinet and the wall, adjust the #U fitting to the appropriate position , and then tighten all the screw on the #U fitting.

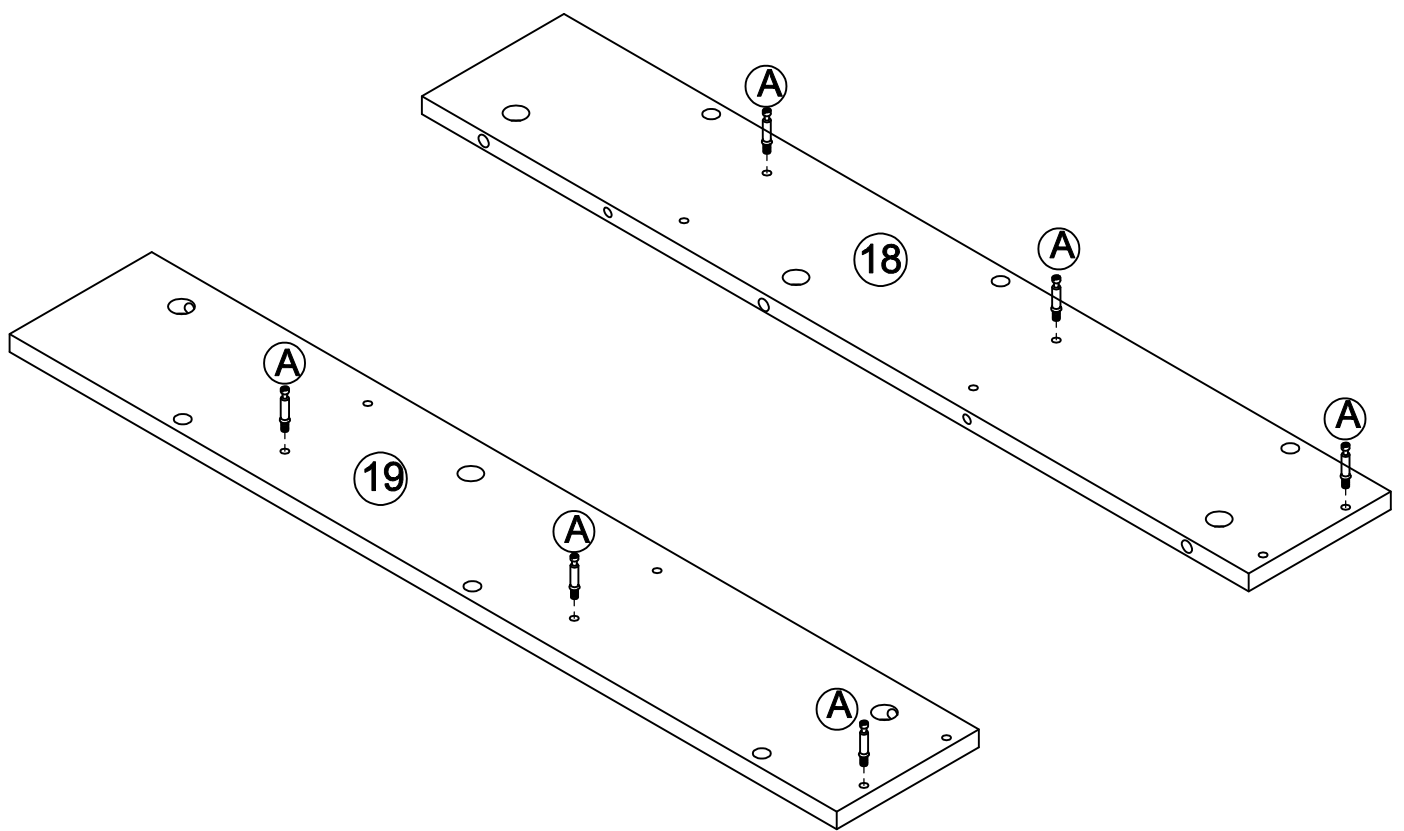
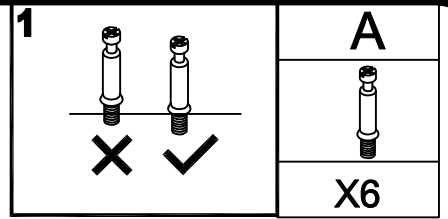


W

X2




Step 21

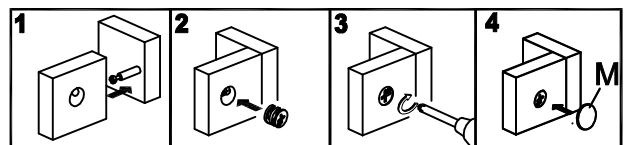
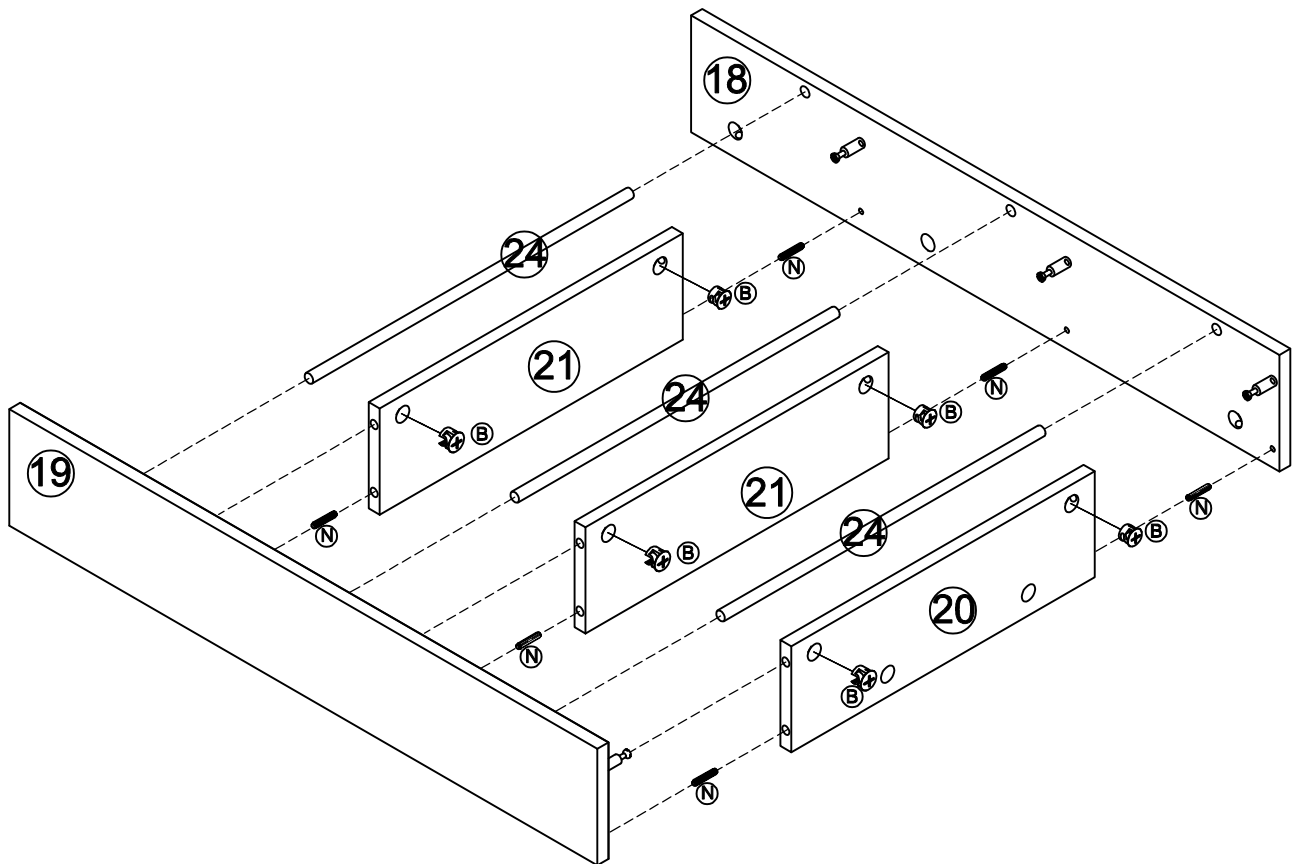


Step 22



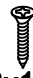



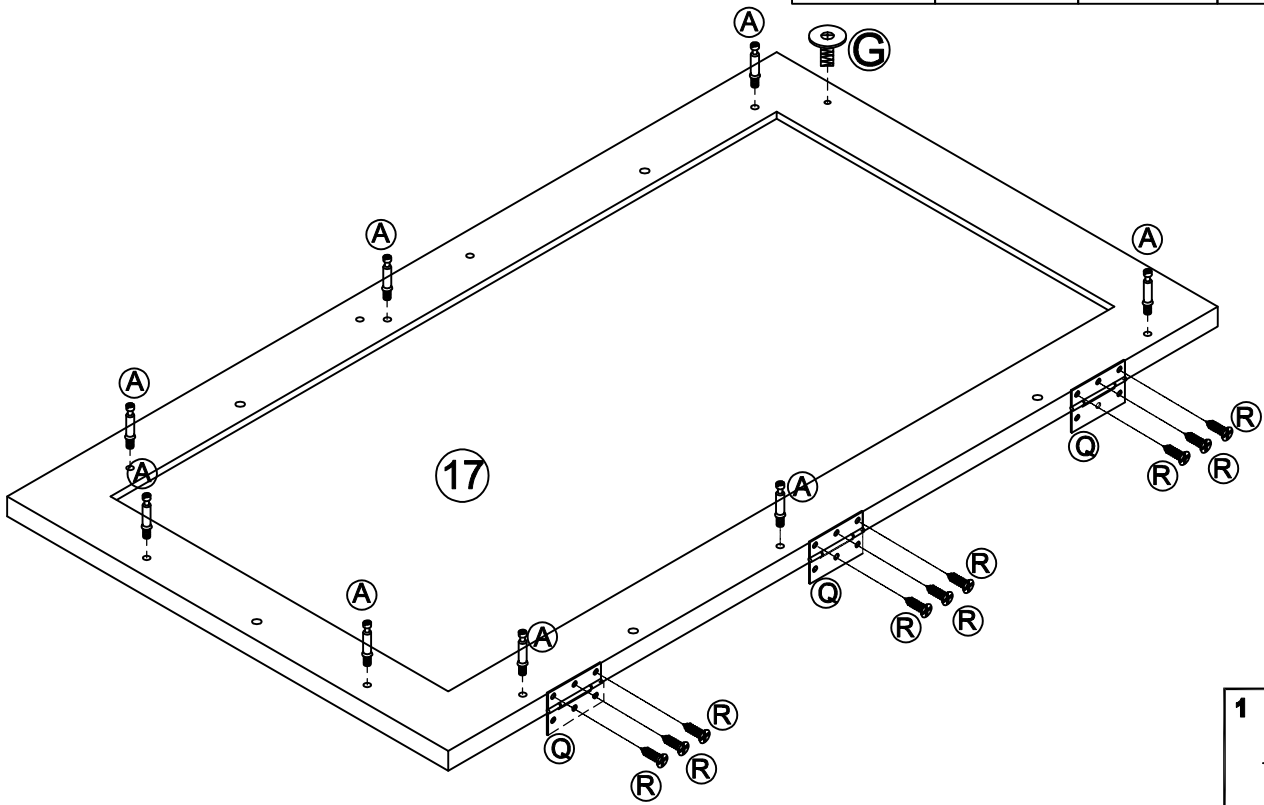
Step 23

N	M	B
		
X6	X6	X6






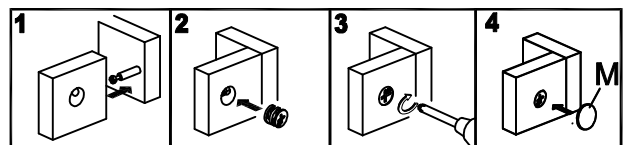
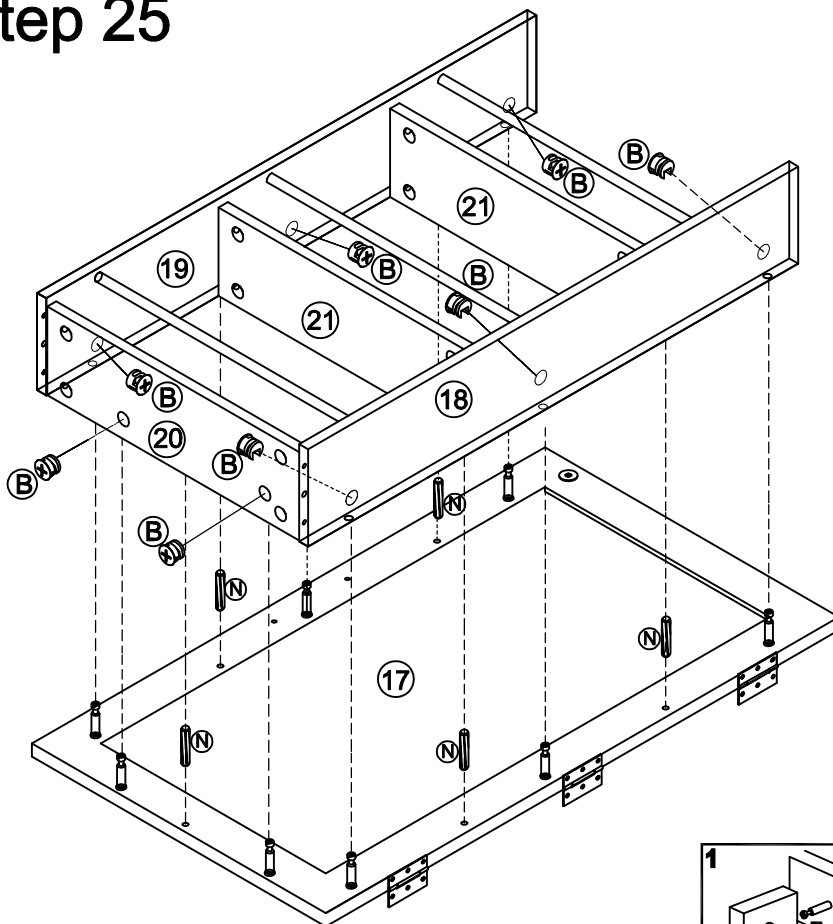
Step 24

A	G	R	Q
		 Ø3x19mm	
X8	X1	X9	X3

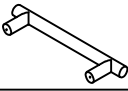
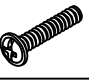


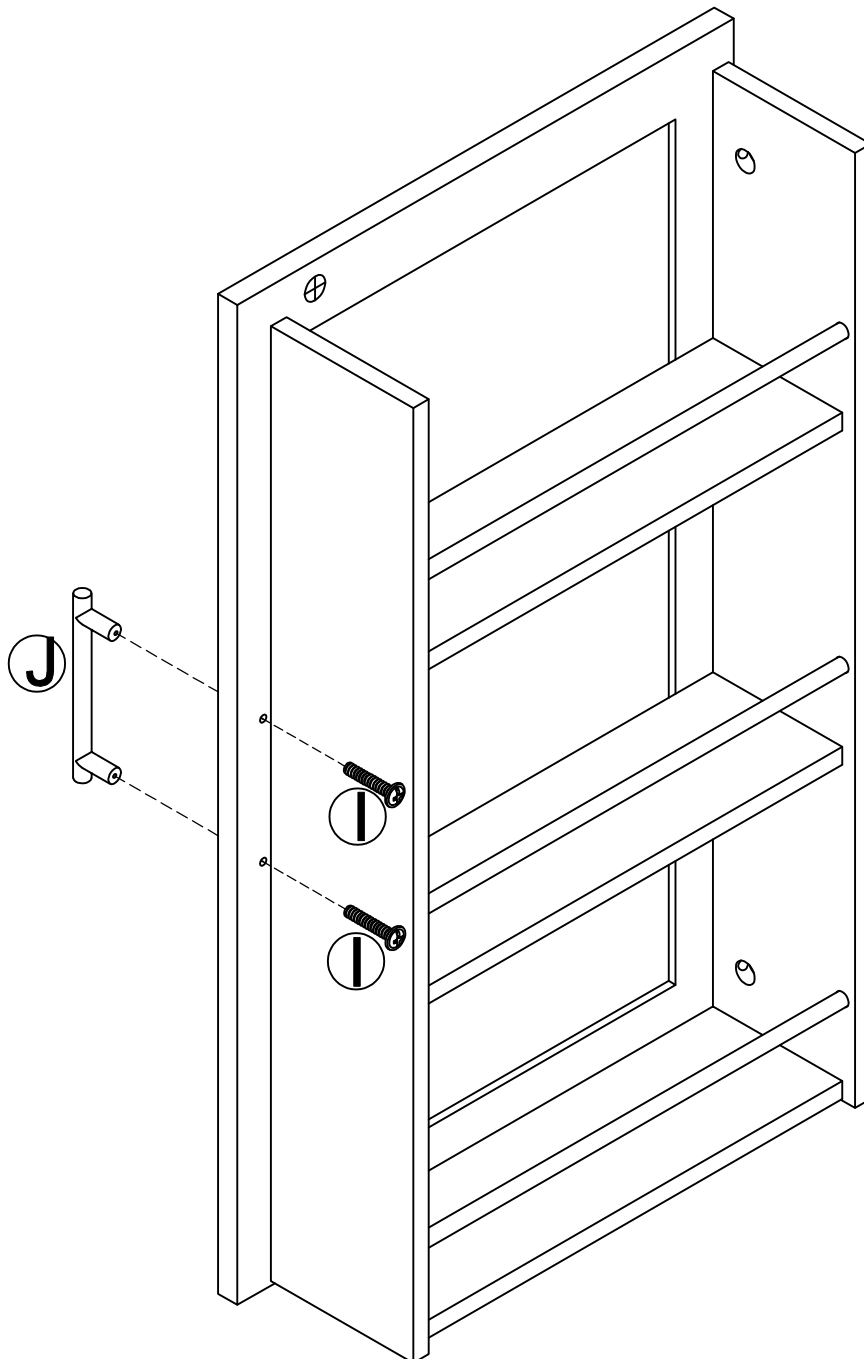
Step 25

N	B	M
		
X5	X8	X8



Step 26

J	I
	
X1	X2

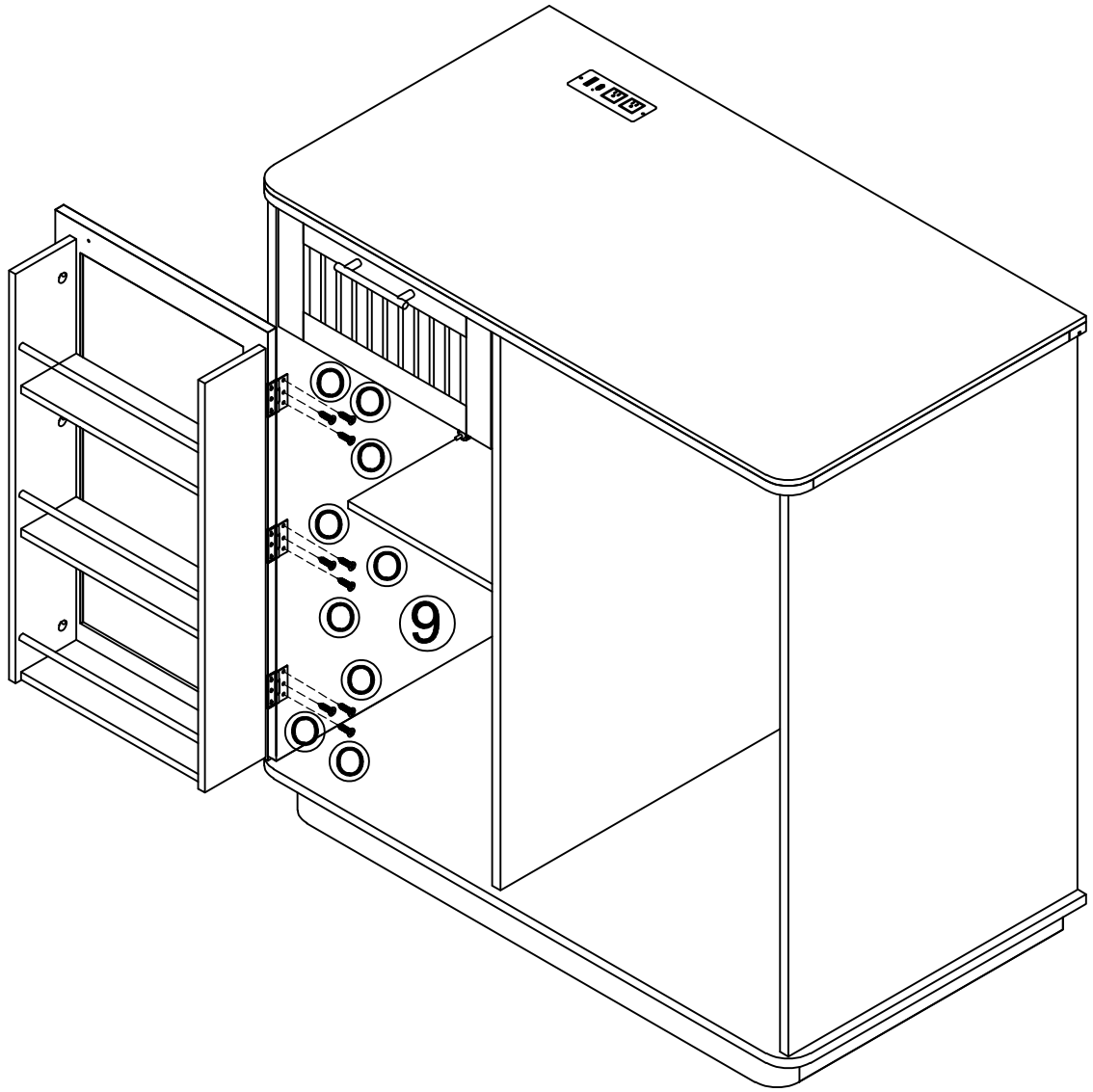


Step 27

O

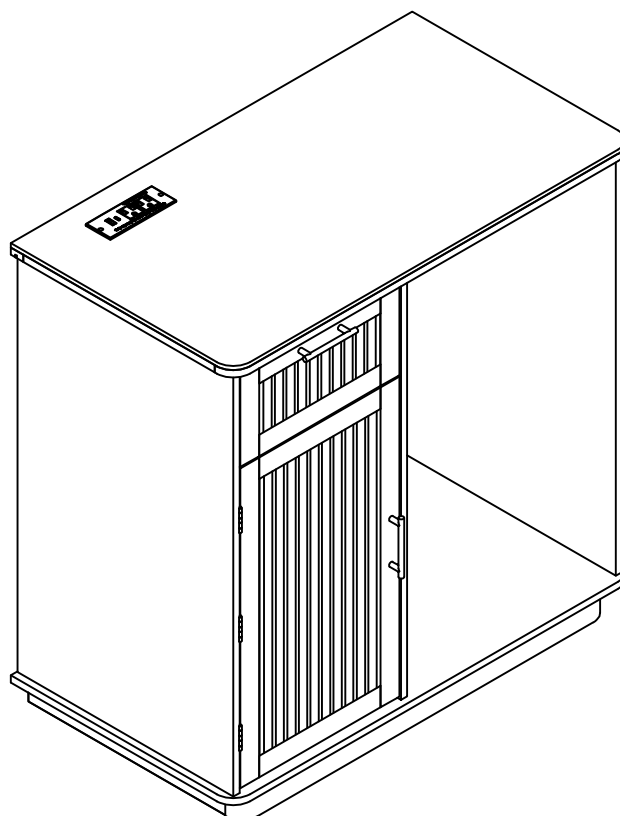


X9



Step 28

Final Assembly



WARNING



Children have died from furniture tipover. To reduce the risk of furniture tipover:

- ALWAYS install Anti-tip device provided.
- NEVER put a TV on this product.
- NEVER allow children to stand, climb or hang on drawers, doors, or shelves.
- NEVER open more than one drawer at a time.
- Place heaviest items in the lowest drawers.

