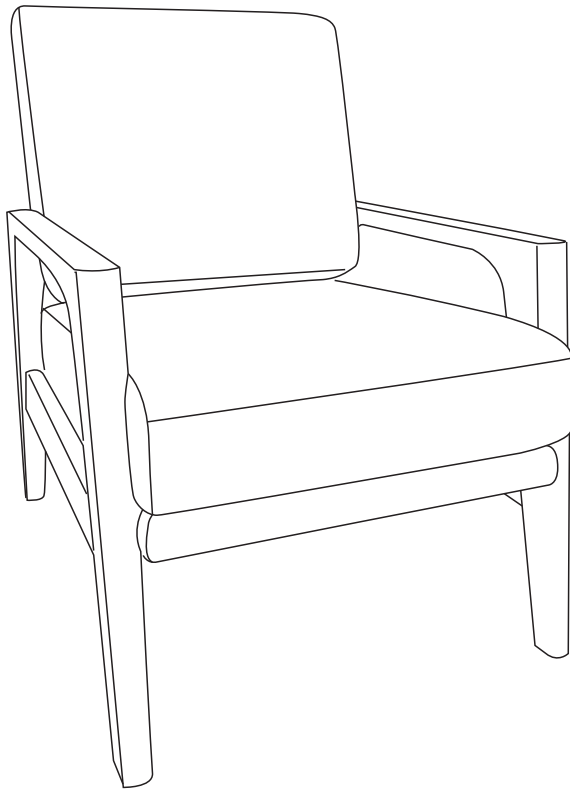
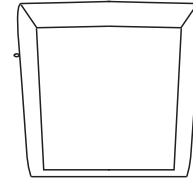


PARTS LIST

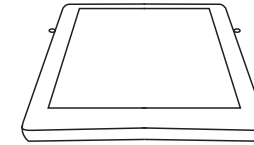


A*1



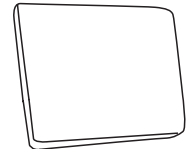
Back

B*1

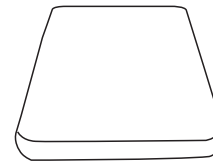


Seat

C*1



D*1



G*1



E*1



Right arm

F*1



Left arm

NOTE:

This brochure contains IMPORTANT safety info. Please read and keep for future reference.

HARDWARE LIST

H*8



I*2



J*2



K*2



L*4



M*4



N*2



O*4



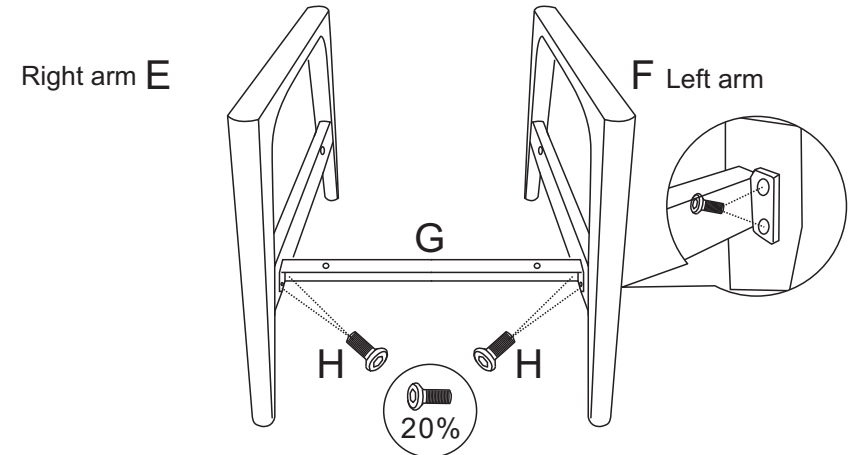
P*1



The foot pad is to protect the floor and resists slip.

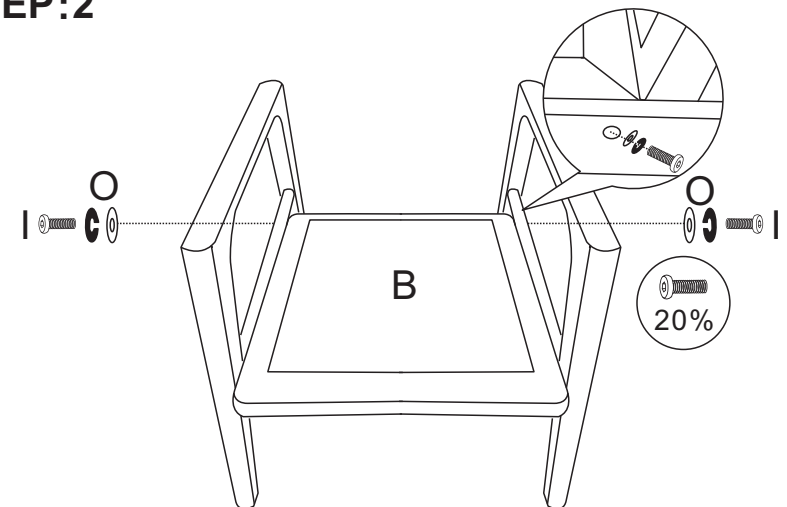
ASSEMBLY INSTRUCTIONS

STEP:1



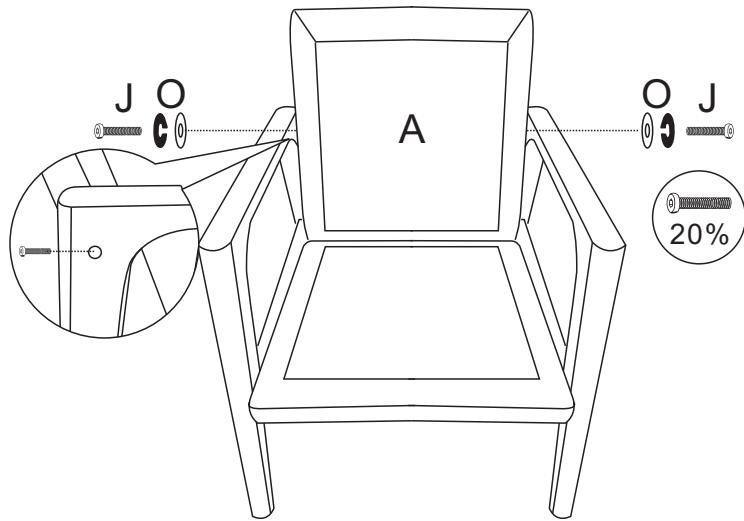
Don't fasten any bolt until all bolts connected properly and position aligned correctly.

STEP:2



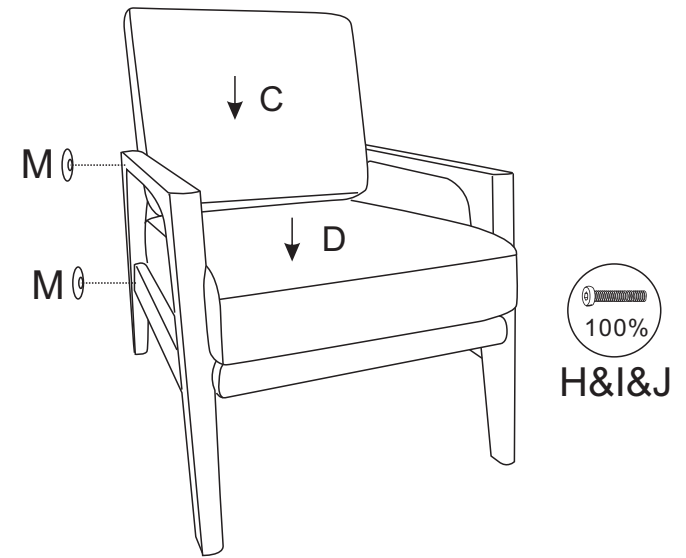
Don't fasten any bolt until all bolts connected properly and position aligned correctly.

STEP:3



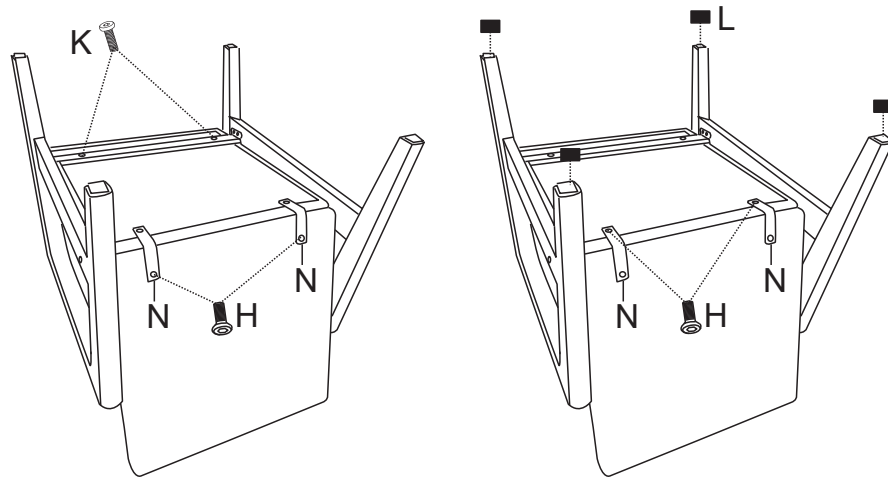
Don't fasten any bolt until all bolts connected properly and position aligned correctly.

STEP:5



STEP:4

Put the foot pads (L) on the leg



Pls fasten the screw on back (A)

STEP: 6

