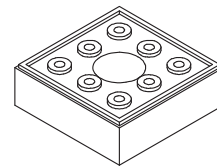


**A12**  
x2



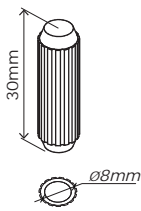
**P45**  
x4



**T83**  
x4



**T99**  
x8



**H1**  
x8



**V13**  
x8



**V5**  
x16



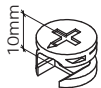
**H2**  
x8



**V109**  
x8



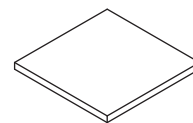
**T28**  
x12



**T98**  
x8



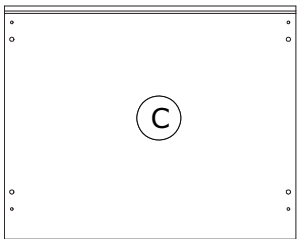
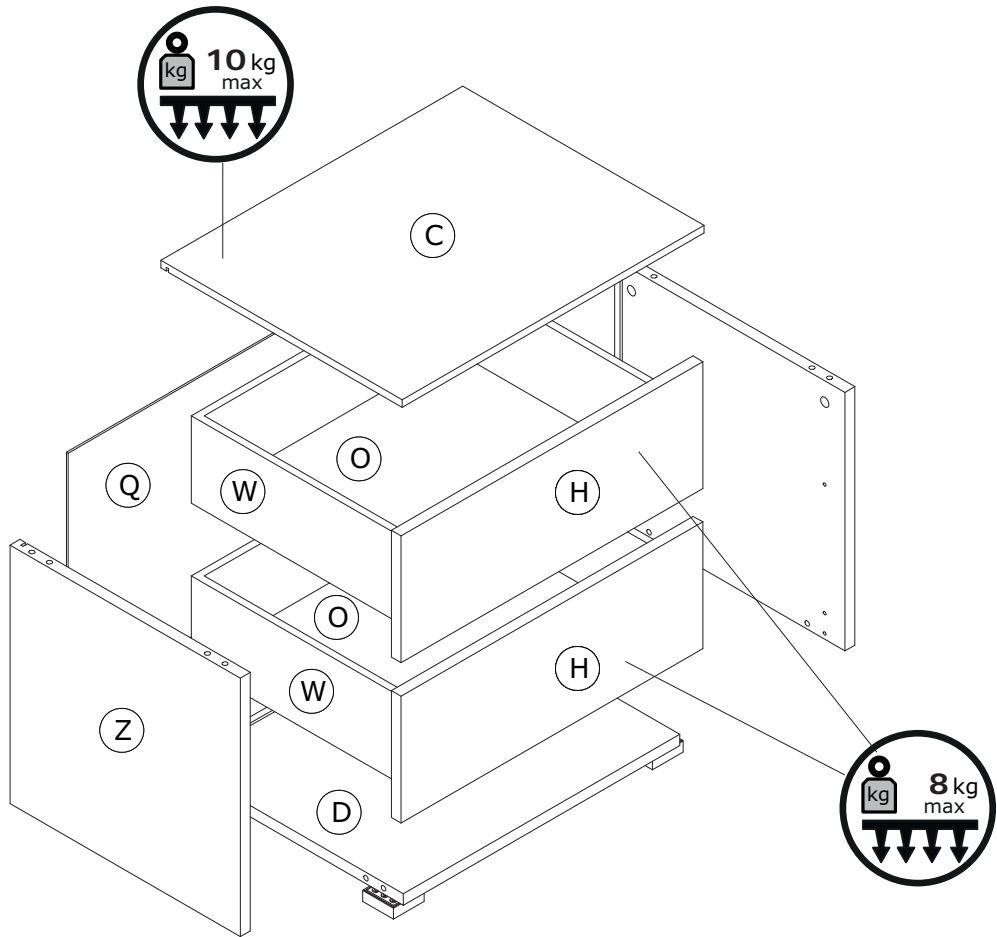
**G136**  
x8



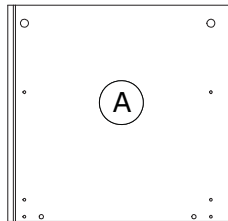
**H233**  
x4



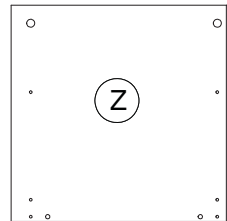
**H113**  
x4



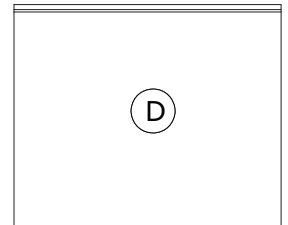
**CA3465**  
550x440x12mm



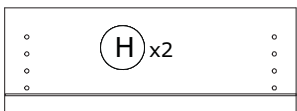
**FI8425**  
408x420x18mm



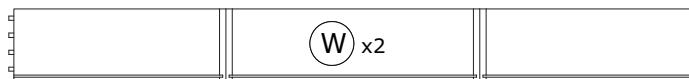
**FI8427**  
408x420x18mm



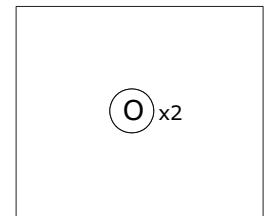
**PI7038**  
504x419x18mm



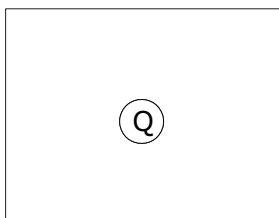
**CS3143**  
550x200x18mm



**OF0501**  
400x479x400mm H.140mm

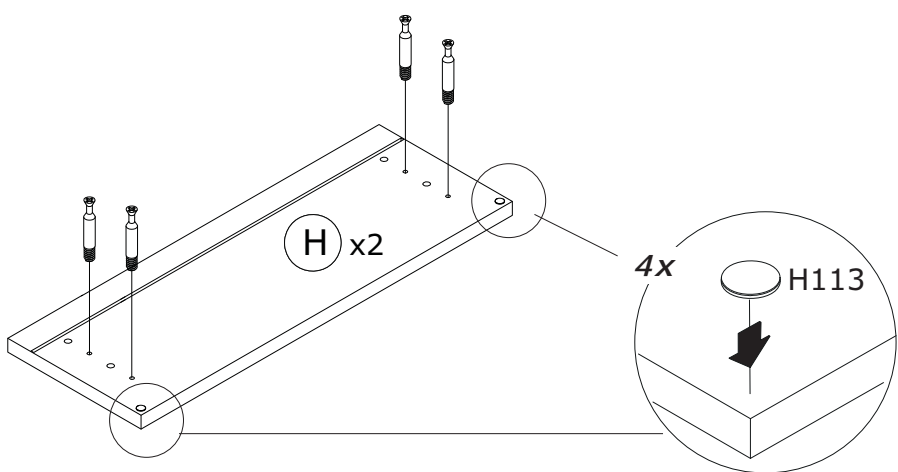
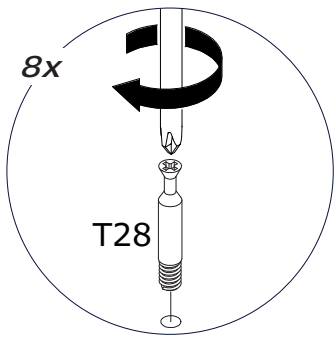


**SH3220**  
466x401x3mm

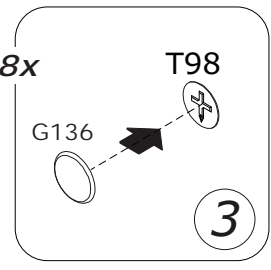
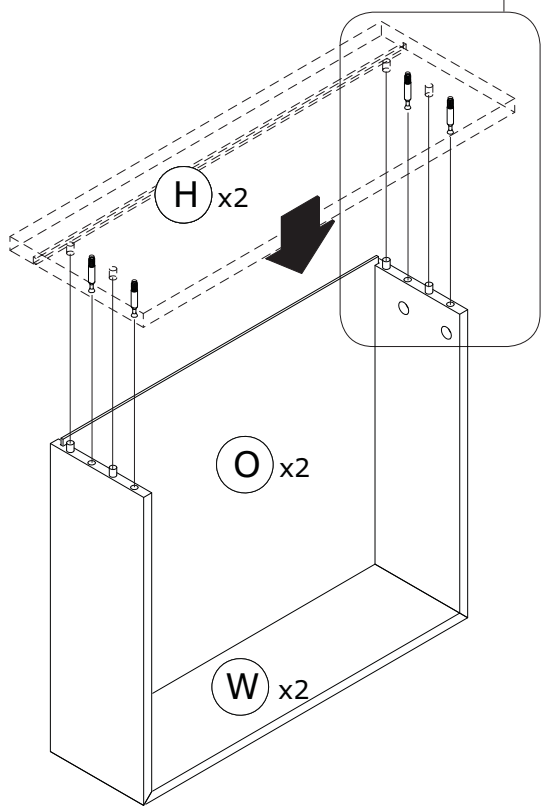
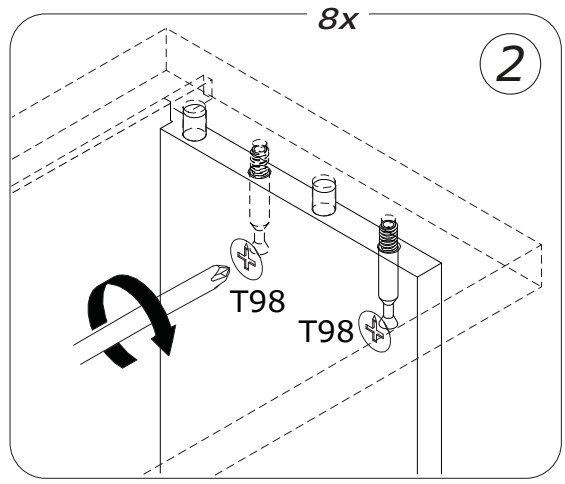
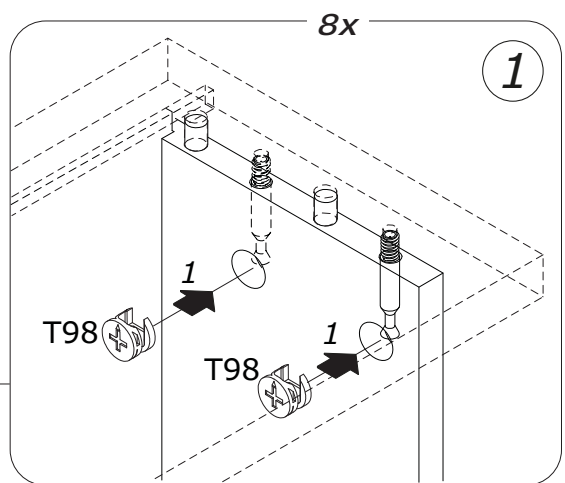
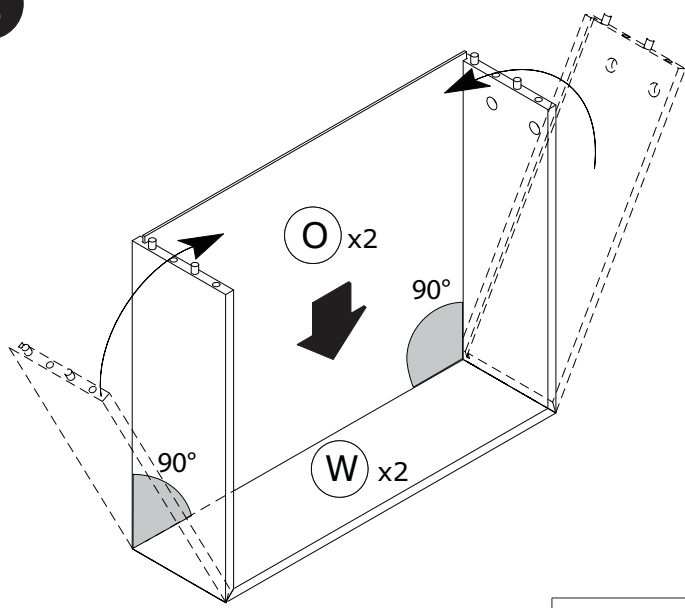


**SH2460**  
518x402x3mm

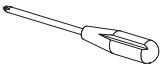
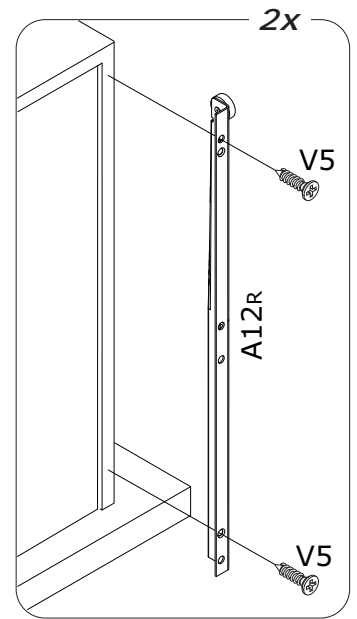
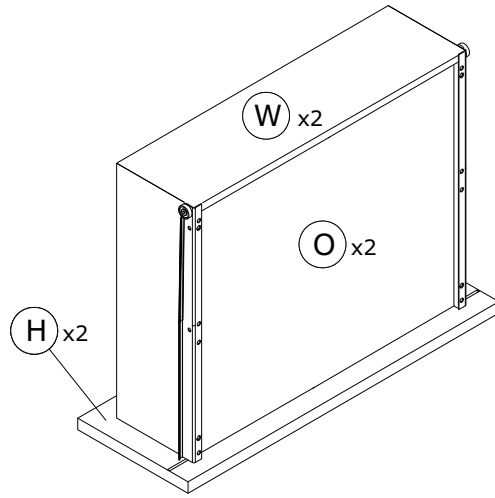
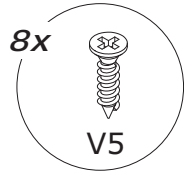
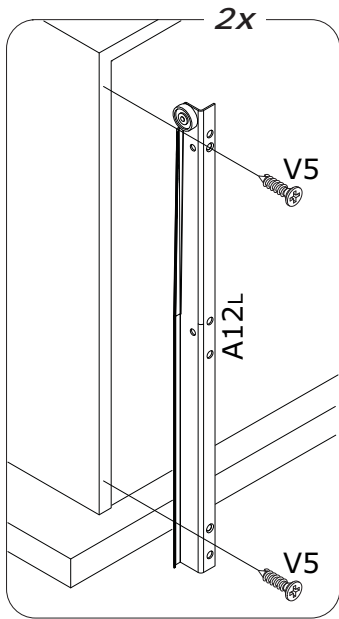
1



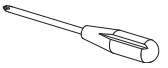
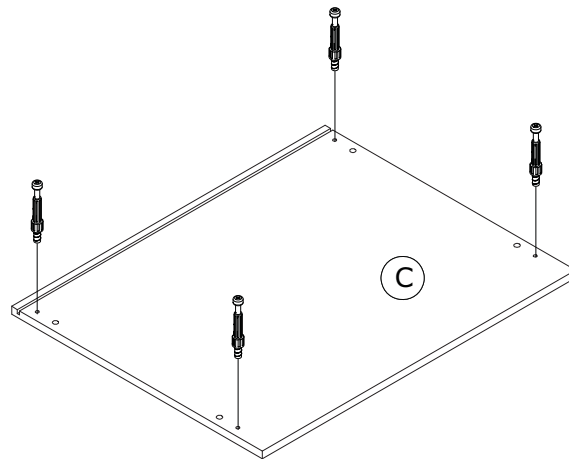
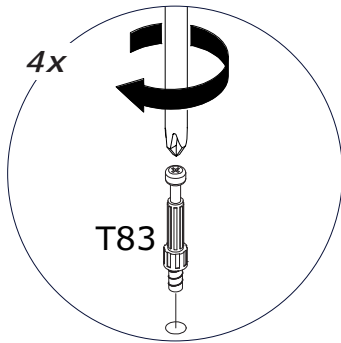
2



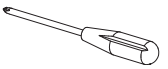
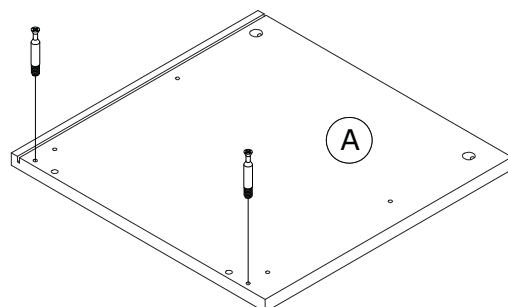
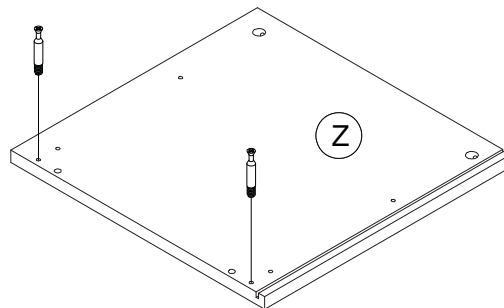
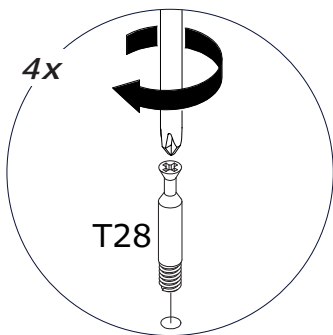
3



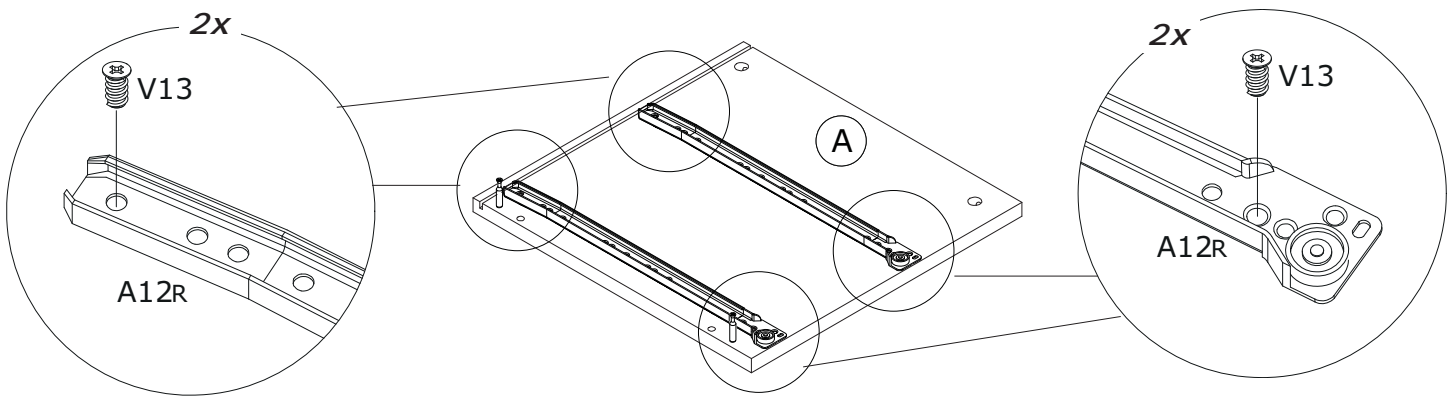
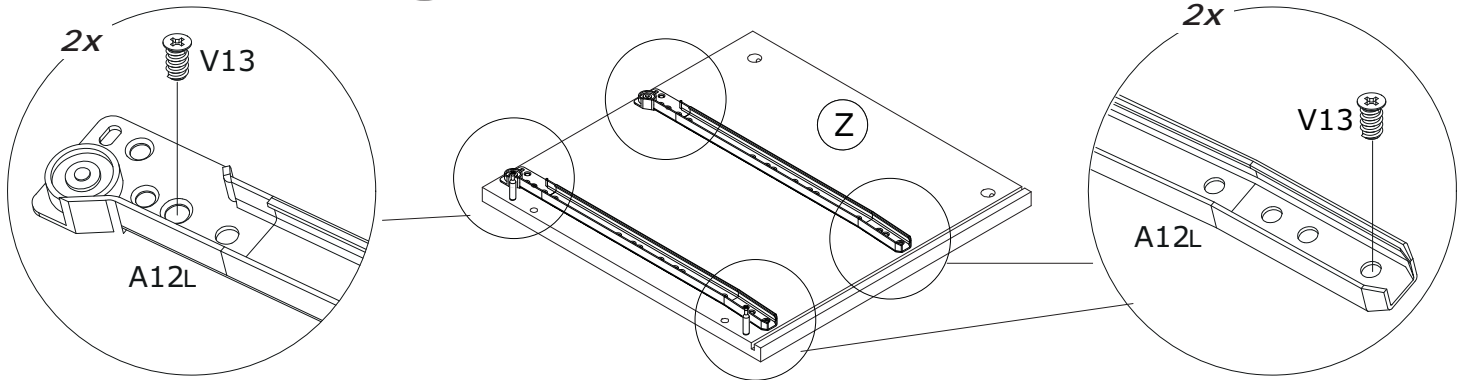
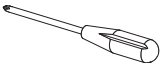
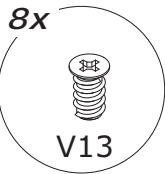
4



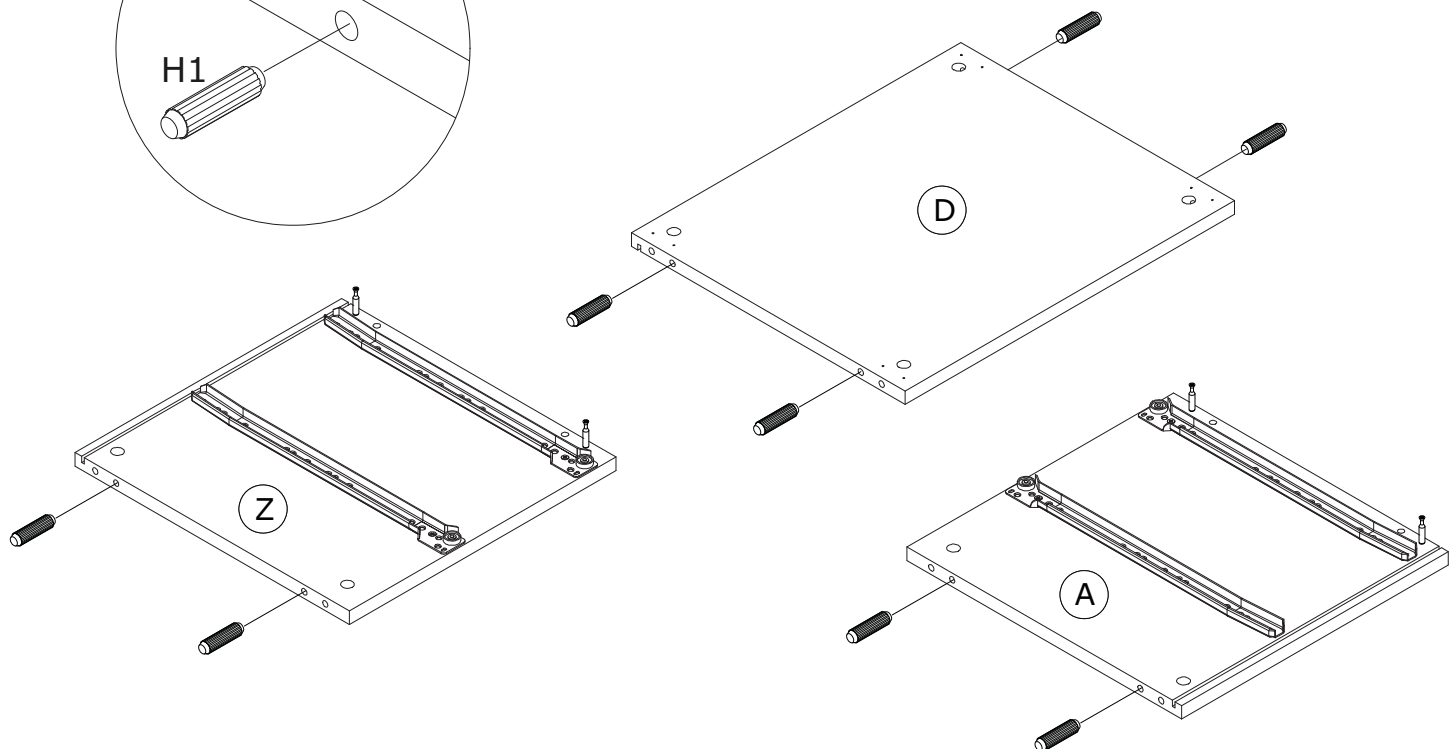
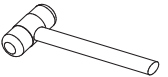
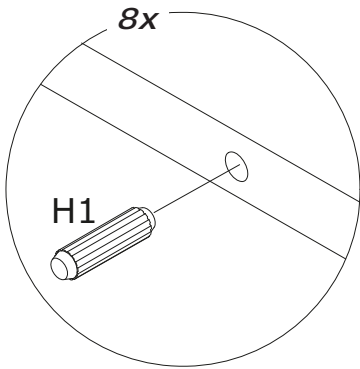
5



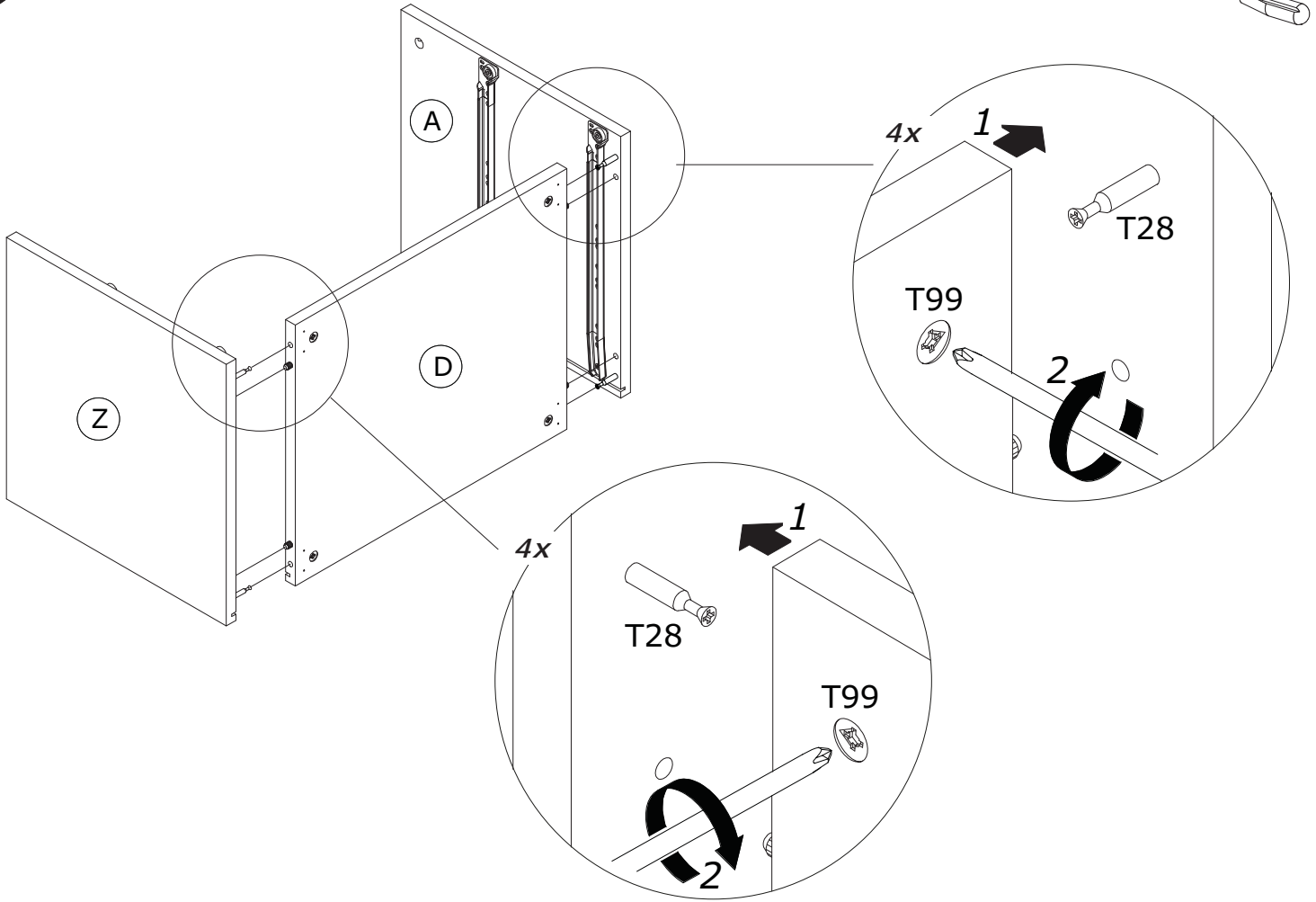
6



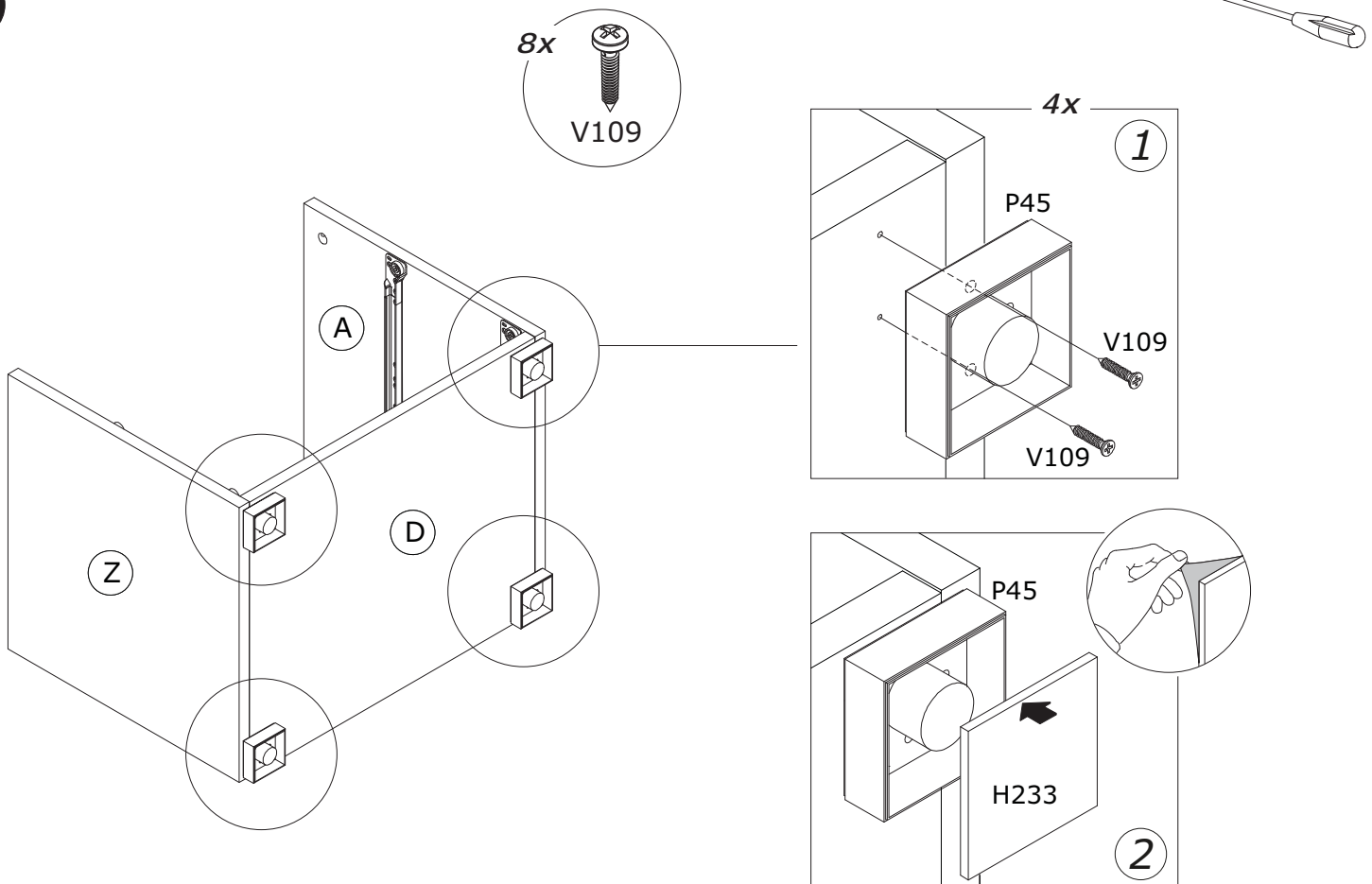
7



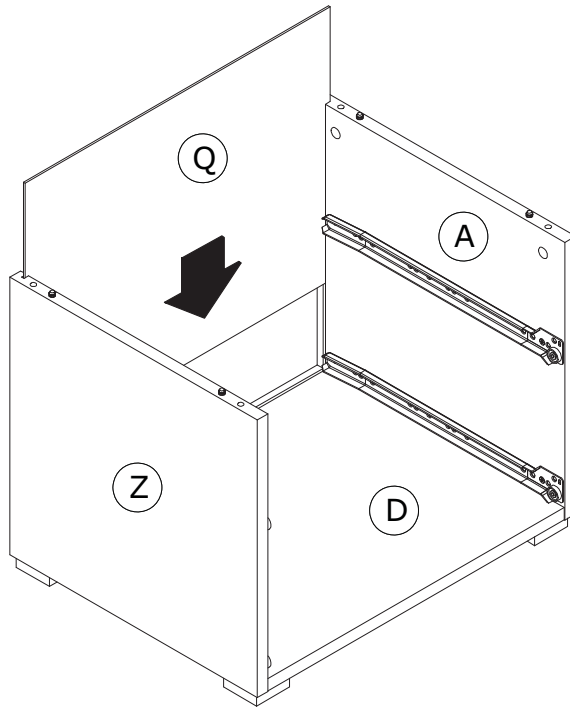
8



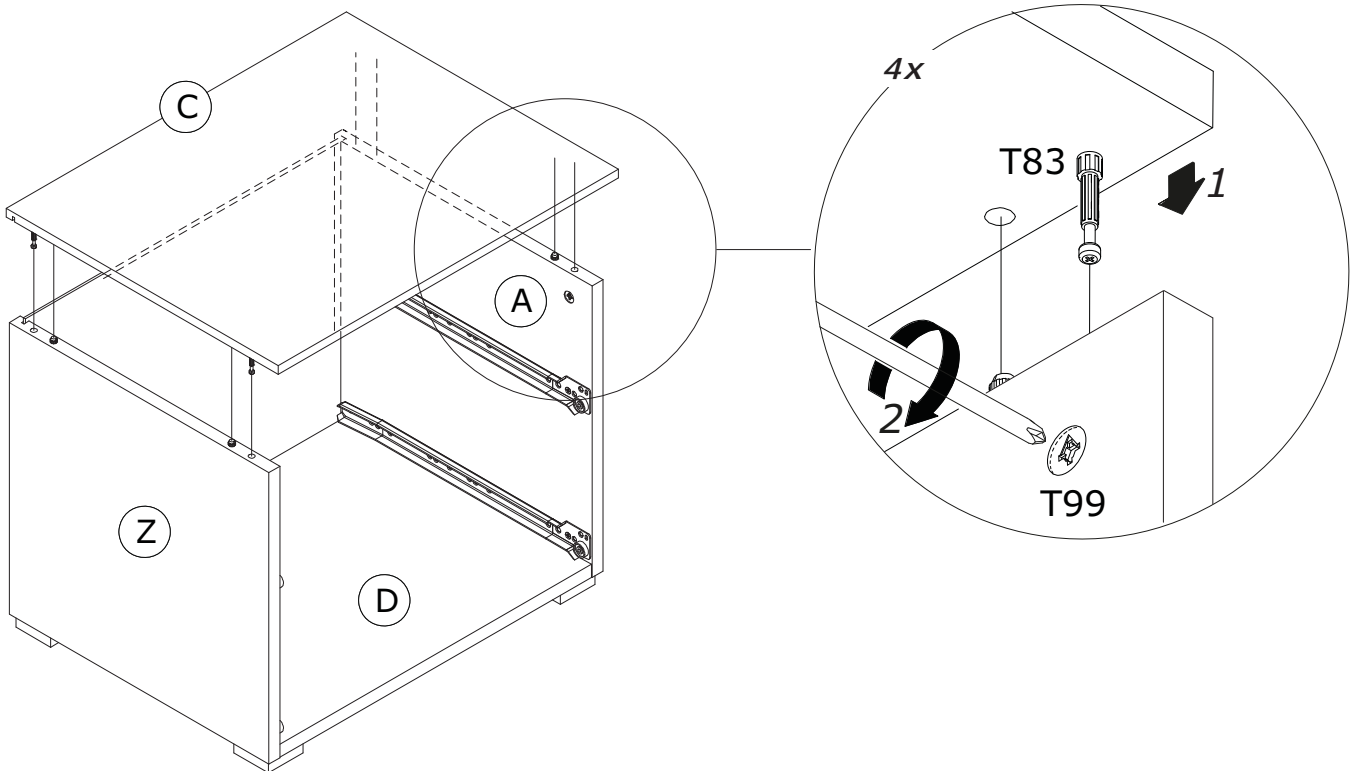
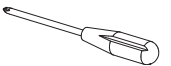
9



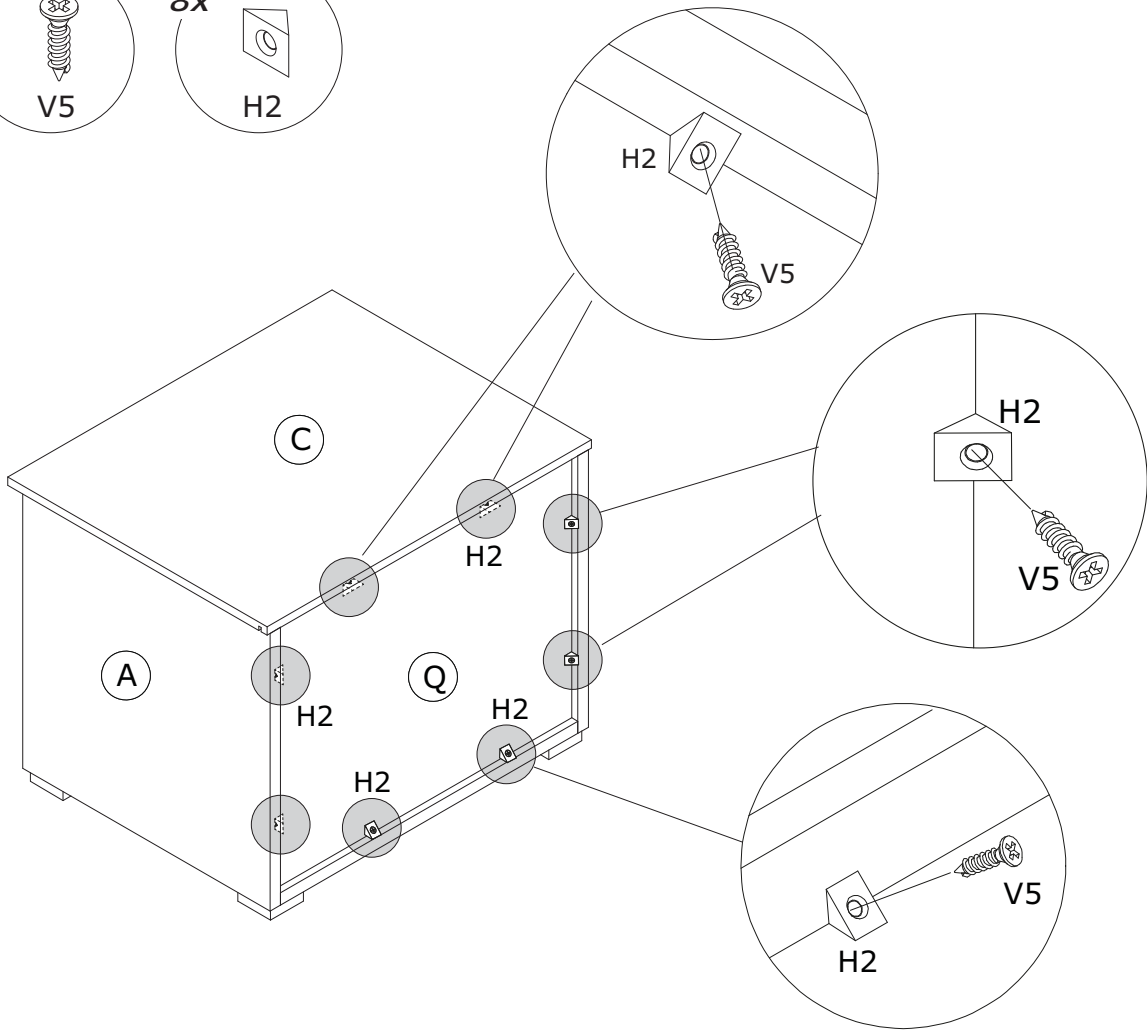
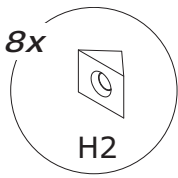
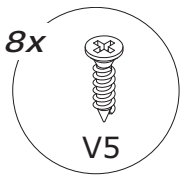
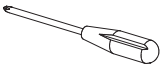
10



11



12



13

