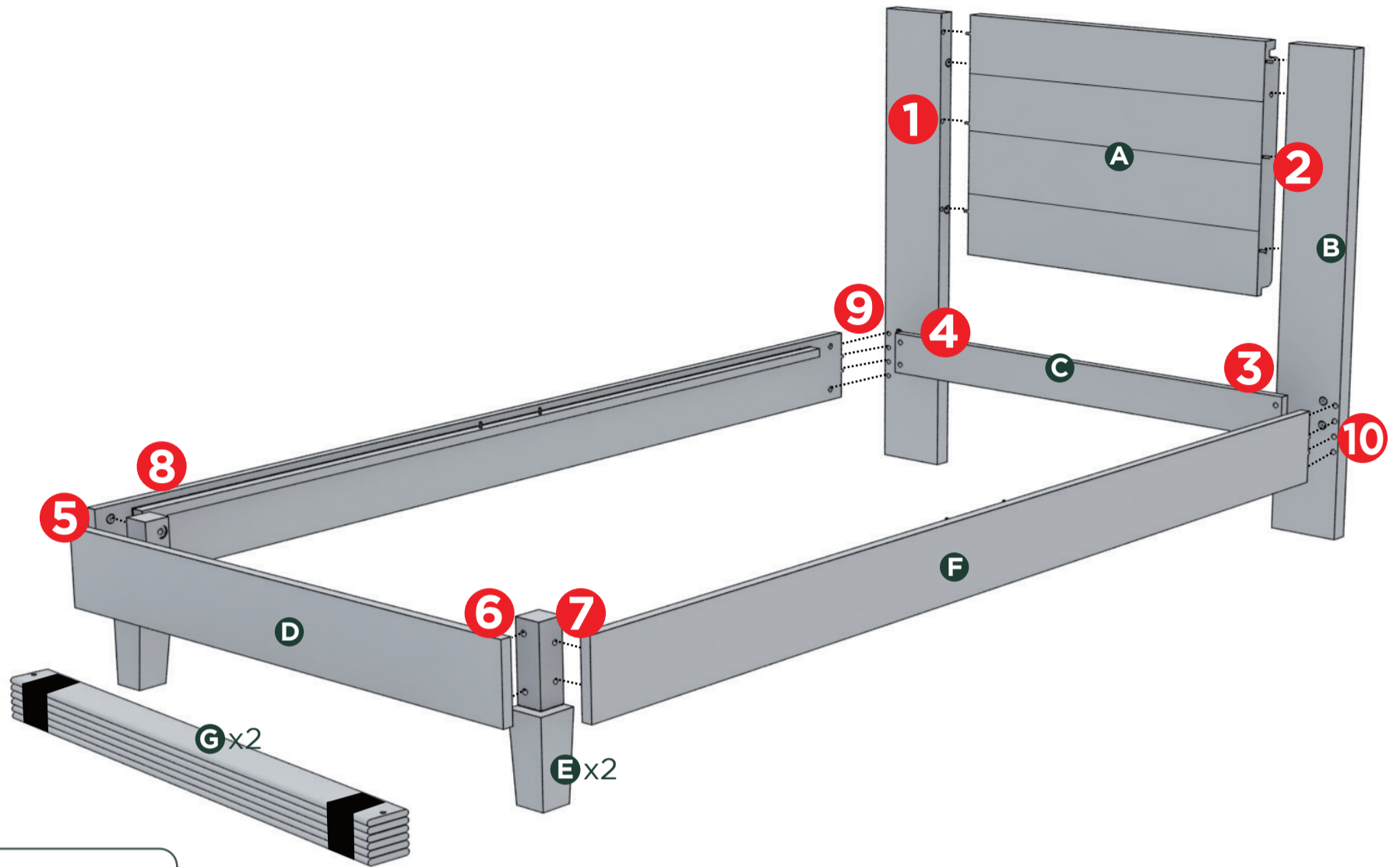
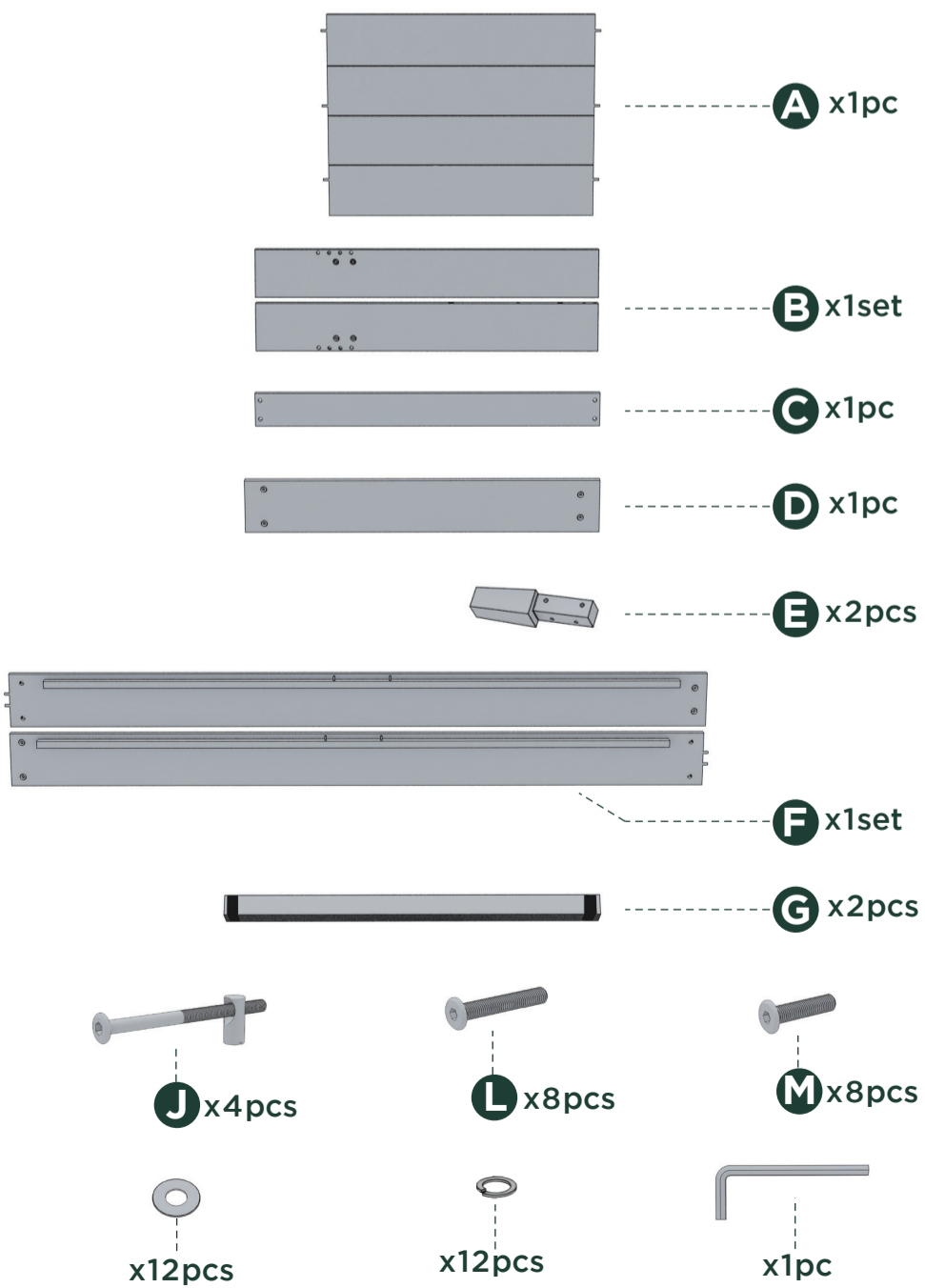


Numbering System
Easy assembly by following 1,2,3...

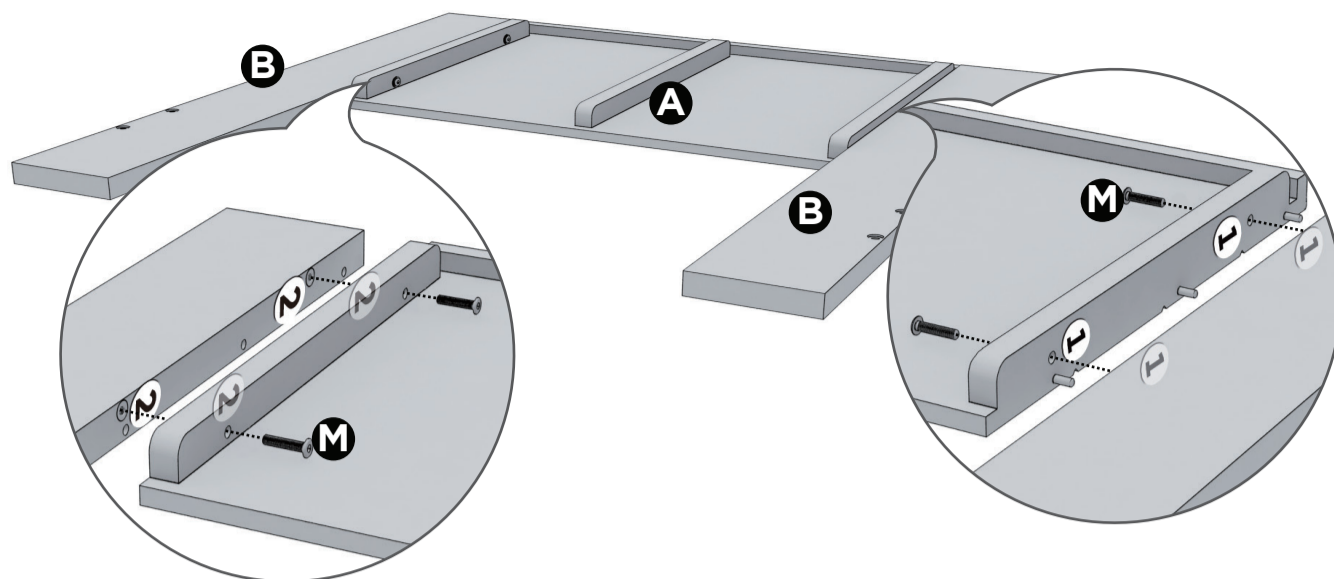


Platform Bed

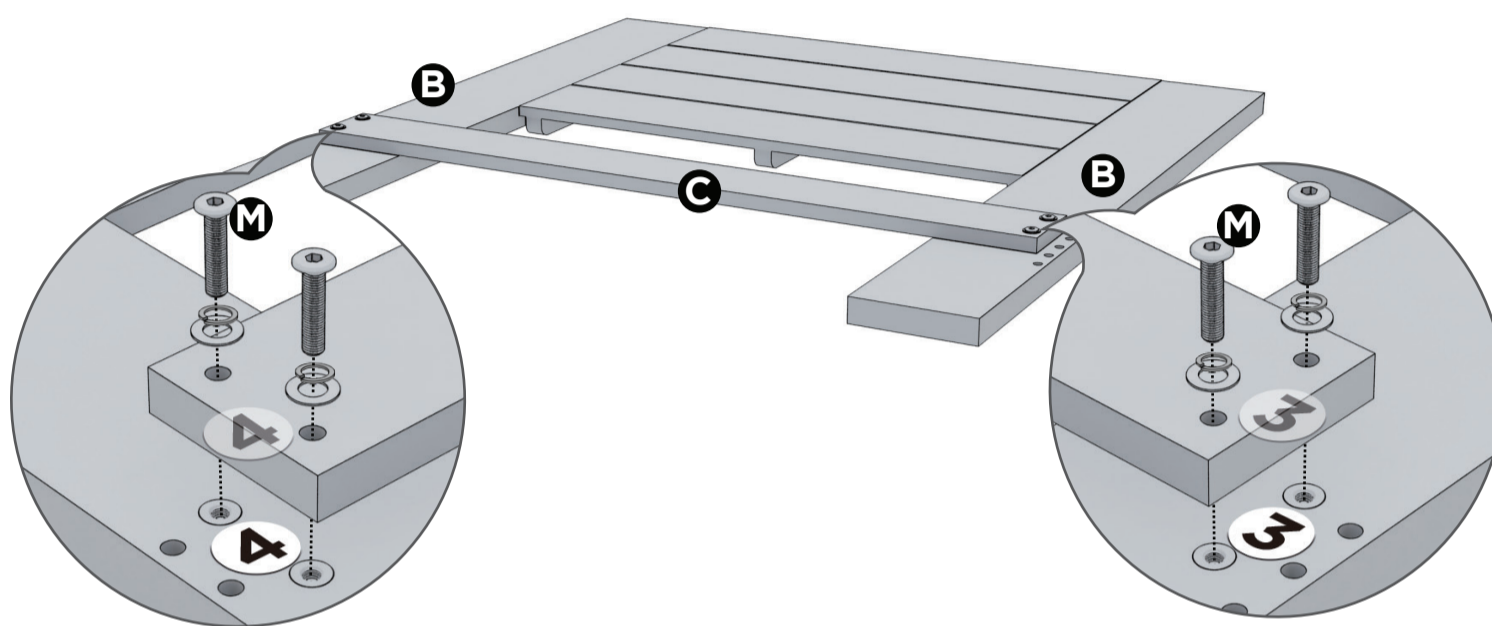
Components



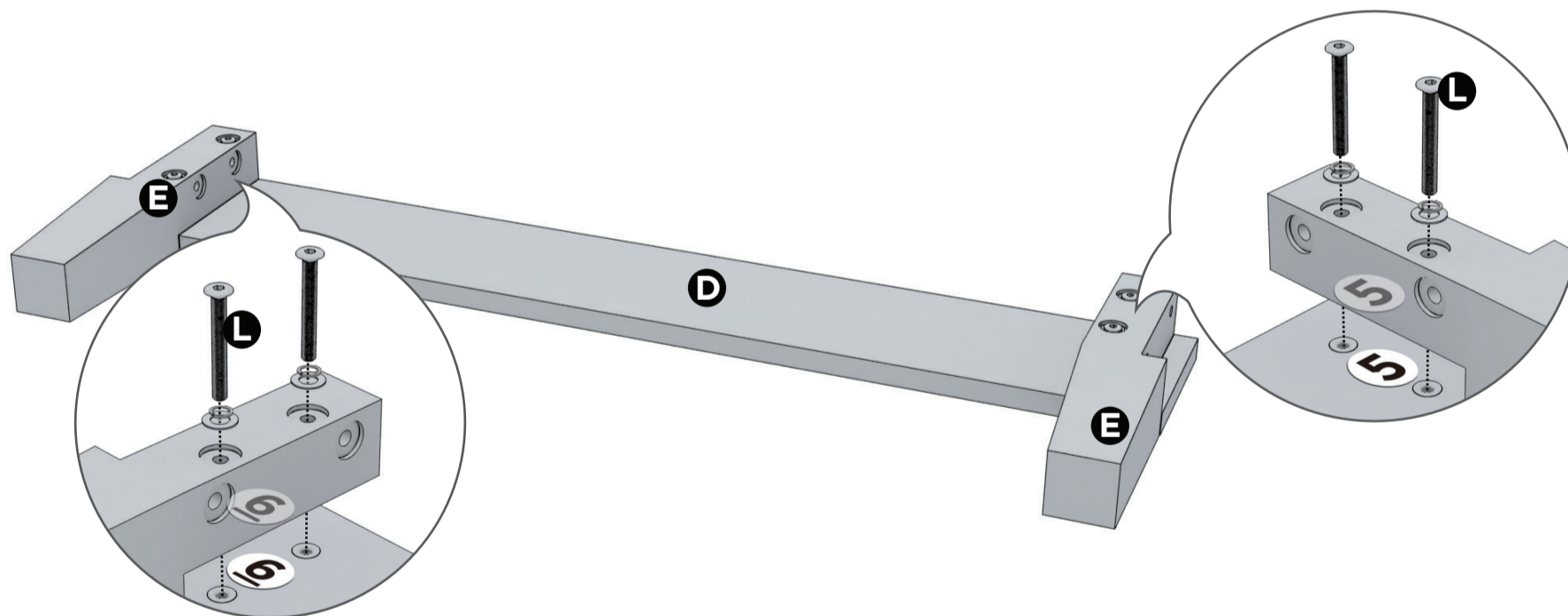
1



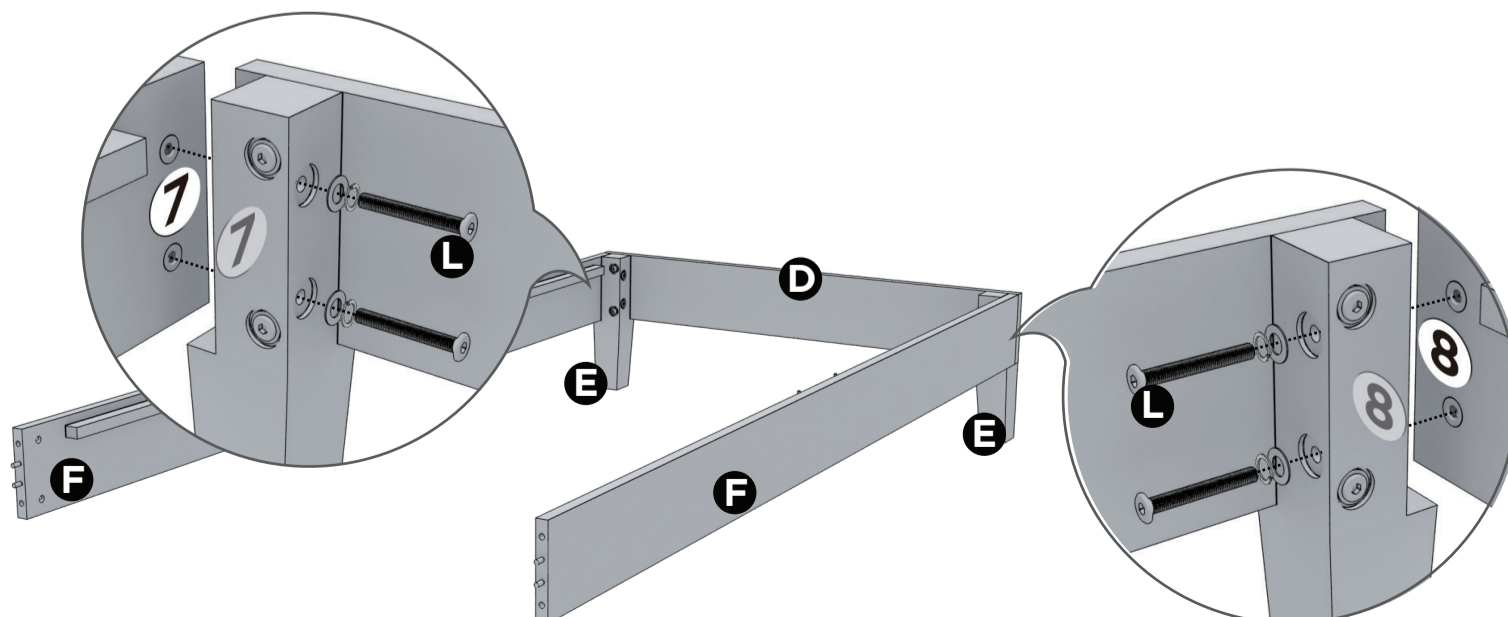
2



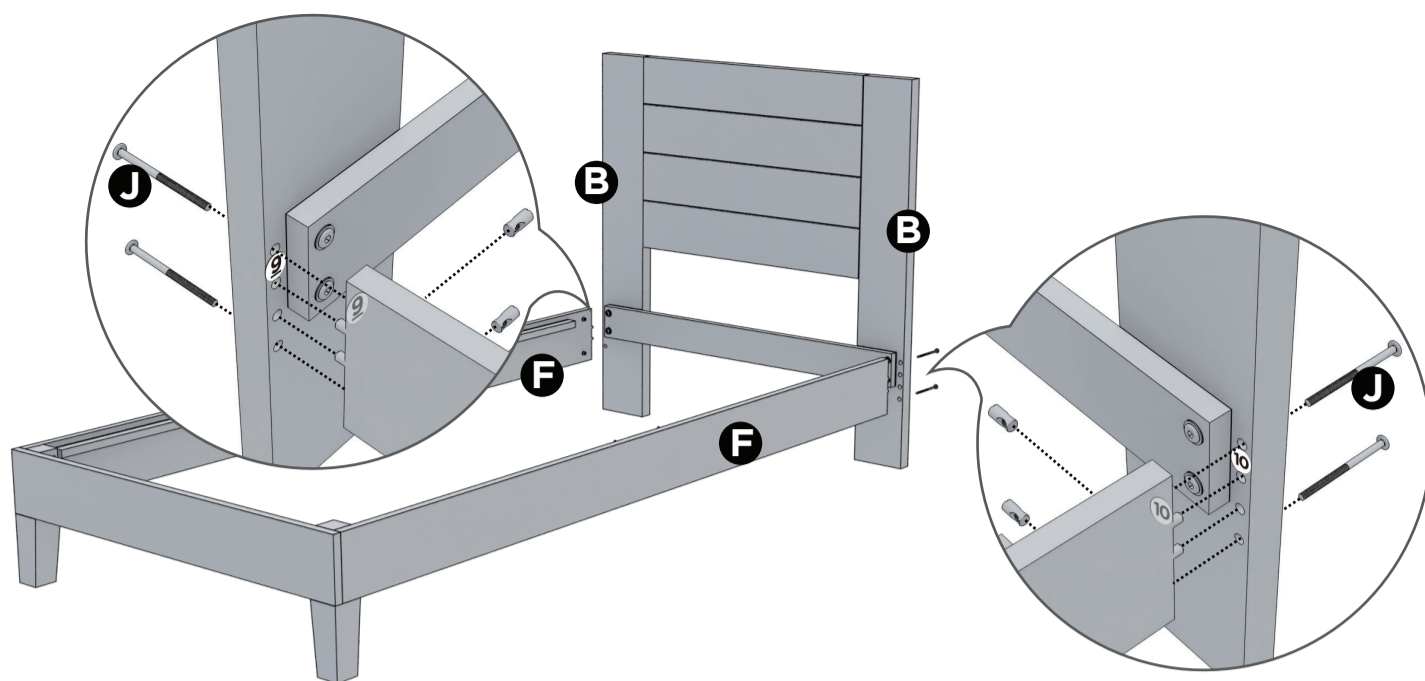
3



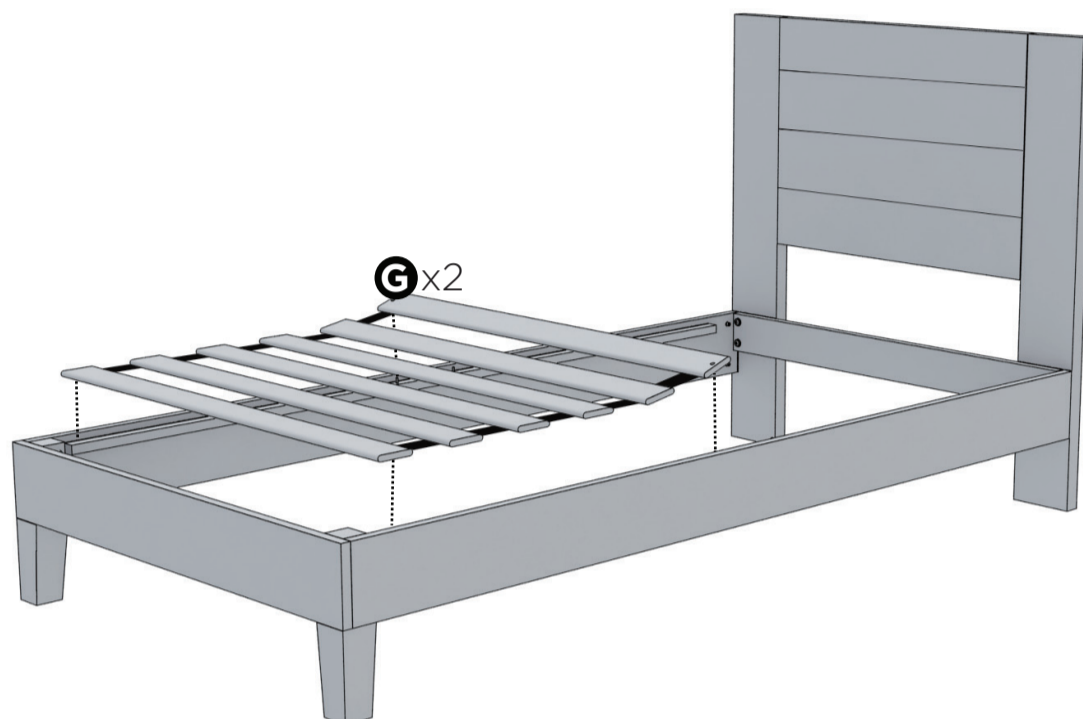
4



5



6



7

