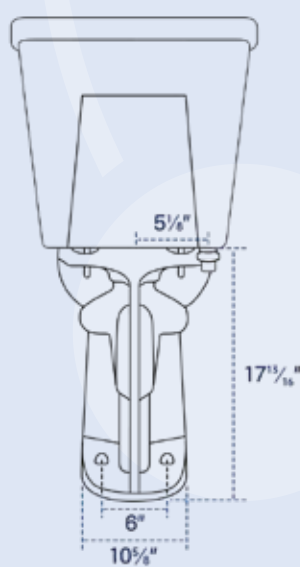
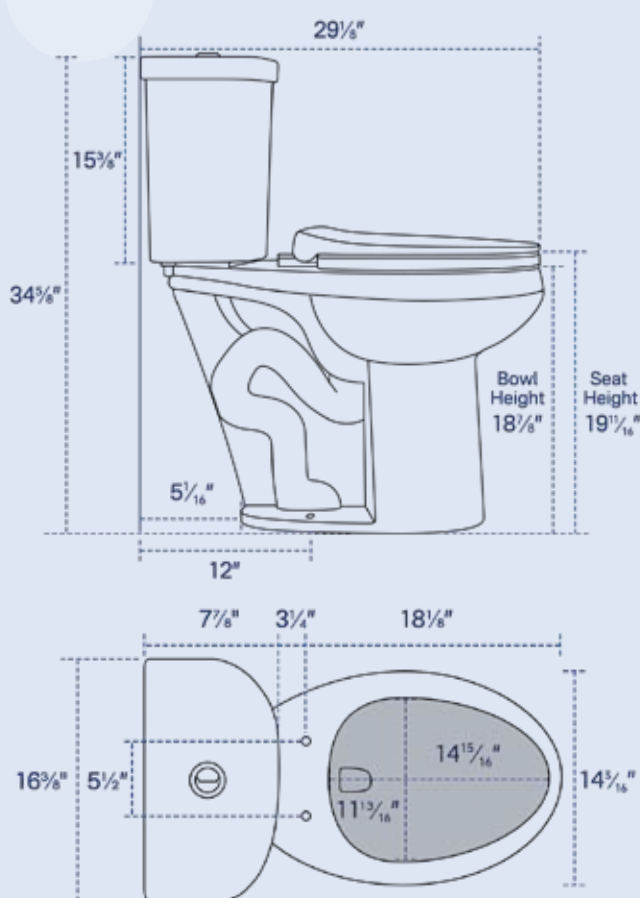




SPECIFICATIONS

- Dimensions: 29¹/₈"L x 16⁵/₁₆"W x 34⁵/₈"H
- Net weight: 85.5 lbs



FEATURES

- Solid vitreous china construction
- Fully glazed, non-porous finish
- Elongated-shaped seat design
- 1.1/1.6 GPF siphon flushing
- 12-inch rough-in
- Soft-close seat



INSTALLATION

- Floor Mount

PARTS INCLUDED

- Toilet Seat
- Toilet Bowl
- Push Button
- Wax Ring Gasket
- Toilet Tank with Lid
- Tank-to-Bowl Gasket
- Floor Mounting Bolt Kit
- Water Inlet Valve Adapter
- Tank-to-Bowl Mounting Kit
- Toilet Seat Mounting Bolt Kit
- Fill Valve Assembly (pre-installed)

AVAILABLE OPTIONS

-  ERI-2T60S (Single Flush)
-  ERI-2T60D (Dual Flush)